



1 DESCRIPTION

Henco manifolds are suitable for heating and sanitary water distribution. Self aligning grants the aligning of the coupled manifolds without using any additional means, such as teflon tape or hemp. Henco manifolds are suitable for sanitary, heating and cooling installations. Their configuration allows the realization of hot and/or cold circuits in parallel.

2 AVANTAGES

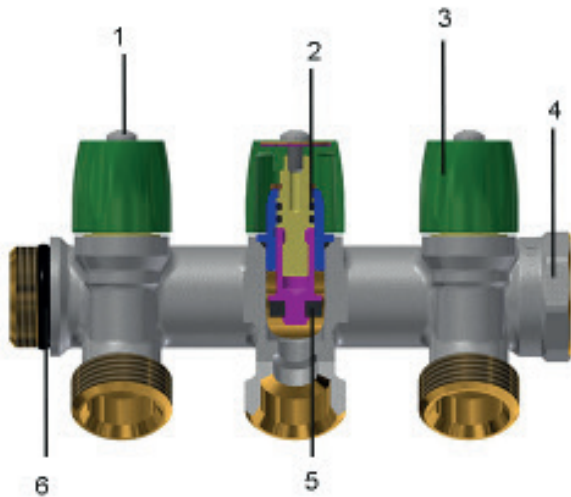
- ▶ **Self aligning** granting the correct and quick aligning of the coupled manifolds with self sealing O-ring
- ▶ **Constant center distance**
- ▶ **Self sealing**, so no need to use hemp or other sealants
- ▶ Suitable for drinking water
- ▶ Reinforced collar
- ▶ Suitable for plastic, metal and metal-plastic pipes

3 FIELDS OF APPLICATION

APPLICATION	T. MIN	T. MAX	T. OF THE SYSTEM	MAX. PRESSURE
drinking water	-20 °C	+120 °C	-20 °C to +95°C	10 bar
hot sanitary water	-20 °C	+120 °C	-20 °C to +95°C	10 bar
cooling	-20 °C	+120 °C	-20 °C to +95°C	10 bar
radiators	-20 °C	+120 °C	-20 °C to +95°C	10 bar

-20°C only with antifreeze liquid (glycol) in % max of 30%

4 SCREW COMPONENTS AND MATERIALS



COMPONENTS		MATERIALS
1	Screw	Steel CB4F
2	O-Ring	Elastomer for drinking water
3	Handle	ABS
4	Body	Brass CW617N - UNI EN 12165
5	Flat seal	Elastomer for drinking water
6	Self-seal O-Ring	Elastomer for drinking water

5 REGULATIONS

- ▶ Threads complies with UNI EN ISO 228-1:2003 law: "Piping thread for coupling not with tightness on the thread".
- ▶ UNI EN 13828 (only for 6200.R6) "Ball valves of copper alloys and stainless steel hand operated, for the supply of drinking water in buildings".
- ▶ D.M. 174 (06/04/2004) Raw materials used are of high quality and comply with the Ministerial Decree N°174 dated 06/04/2004 concerning the materials and the items used in fixed installations for water collection, treatment and supply.
- ▶ EN ISO 1254 part 2,3,4 Copper and copper alloys - Plumbing fittings
- ▶ Comply with 4MS, UBA List (BC group), DIN 50930/6 Dir. 2011/65/UE, 6C attachment III (RhOSII)

6 OVERALL DIMENSIONS

CODE	ØC	ØD	I	H	L
VBS050502	3/4"	3/4"	45	37	100,5
VBS060502	3/4"	1"	45	37	102
VBS050503	3/4"	3/4"	45	37	145,5
VBS060503	3/4"	1"	45	37	147
VBS050504	3/4"	3/4"	45	37	190,5
VBS060504	3/4"	1"	45	37	192

