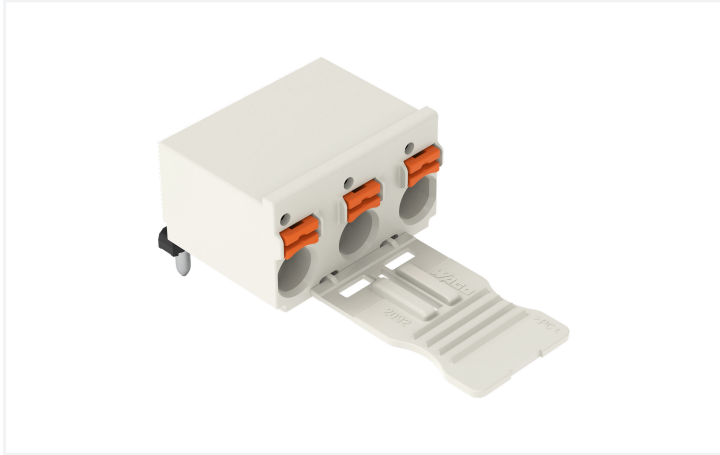


**Data Sheet | Item Number: 2092-3354**

1-conductor THT female connector angled; push-button; Push-in CAGE CLAMP®; 2.5 mm²; Pin spacing 7.5 mm; 4-pole; 1.4 mm Ø solder pin; Gripping plate; 2,50 mm²; light gray

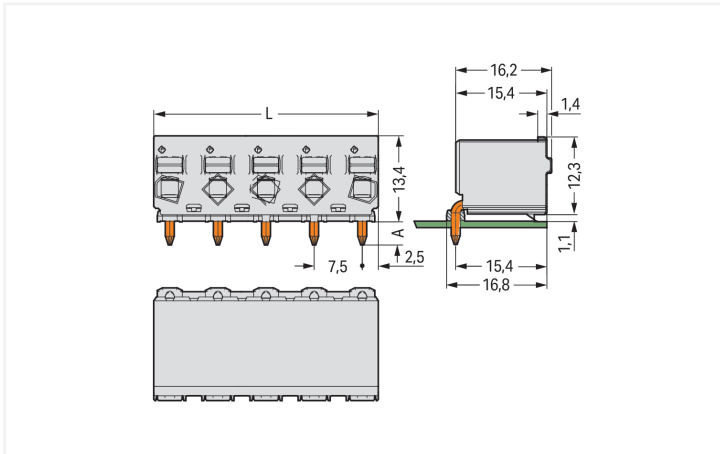
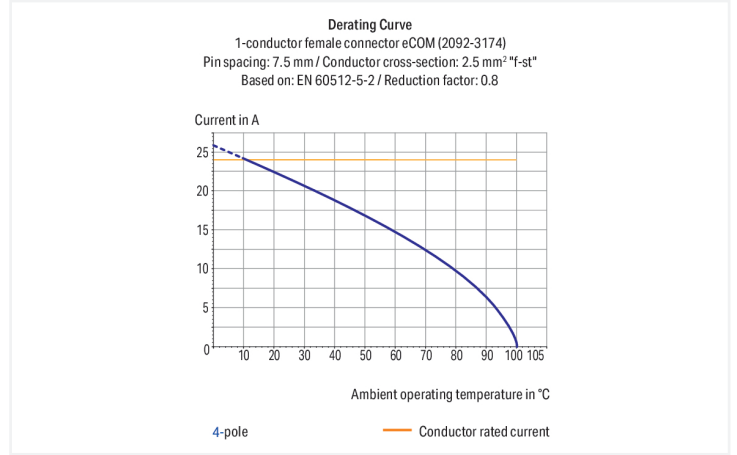


<https://www.wago.com/2092-3354>



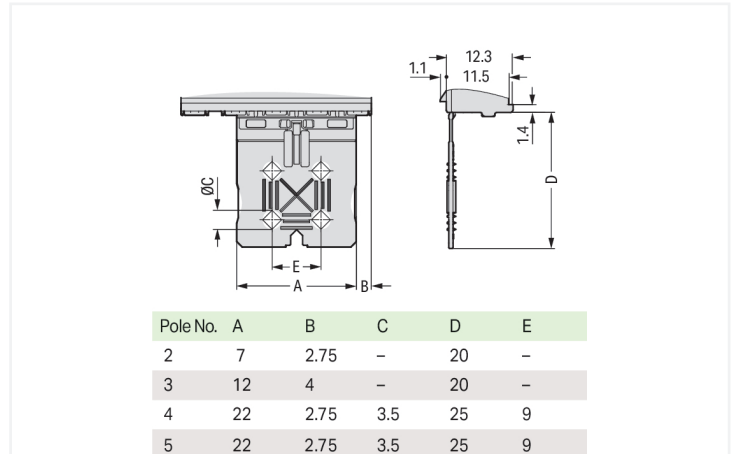
Color: ■ light gray

Similar to illustration



Dimensions in mm

L = (pole no. - 1) x pin spacing + 5 mm  
 A = 3.6 mm THT solder pin  
 A = 2.4 mm THR solder pin



Dimensions in mm

Female connector, 2092 Series, 0 °conductor entry to board

This female connector (item number 2092-3354) simplifies electrical installations. Conductors can only be connected to this female connector if their strip length is between 9 and 10 mm . This product features one conductor terminal and utilizes Push-in CAGE CLAMP®. Push-in CAGE CLAMP® connection technology is ideal for connecting all conductor types. Solid and fine-stranded conductors with ferrules can be plugged in without needing to use any tools—all thanks to its pluggable design. The item's dimensions are (27.5 x 13.4 x 40.4) mm (width x height x depth). Depending on the type of conductor, this female connector is suitable for conductor cross sections ranging from 0.2 mm² to 2.5 mm².

The contact surface is coated with tin. THT is used to solder the pcb connector.

## Notes

## Safety Information

The **picoMAX® Pluggable Connection System** includes connectors without breaking capacity in accordance with DIN EN 61984. When used as intended, these connectors must not be connected/disconnected when live or under load. When used as intended, these connectors must not be connected/disconnected when live or under load. The circuit design should ensure header pins, which can be touched, are not live when un-mated.

## Safety information 2

The use of ferrules is recommended for applications with higher requirements.

To prevent excessive force on the clamping point, effective cable strain relief must be used.

## Electrical data

| Ratings per                     | IEC/EN 60664-1 |       |        | Approvals per | UL 1059   |   |       |
|---------------------------------|----------------|-------|--------|---------------|-----------|---|-------|
|                                 | III            | III   | II     |               | Use group | B | C     |
| Overvoltage category            | III            | III   | II     | Use group     | B         | C | D     |
| Pollution degree                | 3              | 2     | 2      | Rated voltage | 300 V     | - | 300 V |
| Nominal voltage                 | 400 V          | 630 V | 1000 V | Rated current | 15 A      | - | 10 A  |
| Rated impulse withstand voltage | 6 kV           | 6 kV  | 6 kV   |               |           |   |       |
| Rated current                   | 16 A           | 16 A  | 16 A   |               |           |   |       |

## Connection Data

|                            |   |   |   |
|----------------------------|---|---|---|
| Clamping units             | 4 | <b>Connection 1</b>                               |   |
| Total number of potentials | 4 | Connection technology                             | Push-in CAGE CLAMP®                         |
| Number of connection types | 1 | Actuation type                                    | Push-button                                 |
| Number of levels           | 1 | Actuation direction 1                             | Operation parallel to conductor entry       |
|                            |   | Solid conductor                                   | 0.2 ... 2.5 mm <sup>2</sup> / 24 ... 12 AWG |
|                            |   | Fine-stranded conductor                           | 0.2 ... 2.5 mm <sup>2</sup> / 24 ... 12 AWG |
|                            |   | Fine-stranded conductor; with insulated ferrule   | 0.25 ... 1.5 mm <sup>2</sup>                |
|                            |   | Fine-stranded conductor; with uninsulated ferrule | 0.25 ... 2.5 mm <sup>2</sup>                |
|                            |   | Strip length                                      | 9 ... 10 mm / 0.35 ... 0.39 inches          |
|                            |   | Conductor connection direction to PCB             | 0°  |
|                            |   | Pole number                                       | 4   |

## Physical data

|                     |                          |
|---------------------|--------------------------|
| Pin spacing         | 7.5 mm / 0.295 inches    |
| Width               | 27.5 mm / 1.083 inches   |
| Height              | 13.4 mm / 0.528 inches   |
| Depth               | 40.4 mm / 1.591 inches   |
| Solder pin length   | 3.6 mm                   |
| Solder pin diameter | 1.4 mm                   |
| !                   | 1.6 <sup>(+0.1)</sup> mm |

### Mechanical data

|                          |                     |
|--------------------------|---------------------|
| Variable coding          | No                  |
| Design                   | with gripping plate |
| Anti-rotation protection | Yes                 |

### Plug-in connection

|                                      |                         |
|--------------------------------------|-------------------------|
| Contact type (pluggable connector)   | Female connector/socket |
| Connector (connection type)          | for PCB                 |
| Mismating protection                 | No                      |
| Plugging without loss of pin spacing | Yes                     |
| Mating direction to the PCB          | 0°                      |

### PCB contact

|             |     |
|-------------|-----|
| PCB contact | THT |
|-------------|-----|

### Material data

|                                    |  |
|------------------------------------|--|
| Note (material data)               | <a href="#">Information on material specifications can be found here</a> |
| Color                              | light gray   |
| Material group                     | I  |
| Insulation material (main housing) | Polyphthalamide (PPA GF)   |
| Flammability class per UL94        | V0   |
| Clamping spring material           | Chrome-nickel spring steel (CrNi)  |
| Contact material                   | Electrolytic copper (E <sub>Cu</sub> )                                   |
| Contact Plating                    | Tin  |
| Fire load                          | 0.024 MJ   |
| Weight                             | 6.3 g  |

### Environmental requirements

|                         |                 |
|-------------------------|-----------------|
| Limit temperature range | -60 ... +100 °C |
| Processing temperature  | -35 ... +60 °C  |

### Commercial data

|                       |                         |
|-----------------------|-------------------------|
| Product Group         | 26 (picoMAX Connectors) |
| PU (SPU)              | 100 pcs                 |
| Packaging type        | Box                     |
| Country of origin     | DE                      |
| GTIN                  | 4050821165446           |
| Customs tariff number | 85366990990             |

### Product Classification

|             |                      |
|-------------|----------------------|
| UNSPSC      | 39121409             |
| eCl@ss 10.0 | 27-44-04-02          |
| eCl@ss 9.0  | 27-44-04-02          |
| ETIM 9.0    | EC002637             |
| ETIM 10.0   | EC002637             |
| ECCN        | NO US CLASSIFICATION |

**Environmental Product Compliance**

|                        |                         |
|------------------------|-------------------------|
| RoHS Compliance Status | Compliant, No Exemption |
|------------------------|-------------------------|

**Approvals / Certificates**

**General approvals**



| Approval                                | Standard      | Certificate Name |
|---|---------------|------------------|
| CB<br>DEKRA Certification B.V.          | IEC 61984     | NL-89885         |
| CSA<br>CSA Group                        | C22.2         | 2362521          |
| CSA<br>DEKRA Certification B.V.         | C22.2 No. 158 | 2362521          |
| cURus<br>Underwriters Laboratories Inc. | UL 1059       | E45172           |
| KEMA/KEUR<br>DEKRA Certification B.V.   | EN 61984      | 71-129874        |
| UL<br>Underwriters Laboratories Inc.    | UL 1977       | E45171           |

**Downloads**

**Environmental Product Compliance**

| Compliance Search                          |   |
|--|---|
| Environmental Product Compliance 2092-3354 | ↓ |

**Documentation**

| Additional Information |            |                   |   |
|------------------------|------------|-------------------|---|
| Technical Section      | 03.04.2019 | pdf<br>2027.26 KB | ↓ |

**CAD/CAE-Data**

| PCB Design   |   |
|--|---|
| Symbol and Footprint via SamacSys 2092-3354        | ↓ |
| Symbol and Footprint via Ultra Librarian 2092-3354 | ↓ |

**1 Compatible Products**

**1.1 Optional Accessories**

**1.1.1 Ferrule**

**1.1.1.1 Ferrule**



**Item No.: 216-301**

Ferrule; Sleeve for 0.25 mm<sup>2</sup> / AWG 24; insulated; electro-tin plated; yellow

**Item No.: 216-131**

Ferrule; Sleeve for 0.25 mm<sup>2</sup> / AWG 24; uninsulated; electro-tin plated; silver-colored

**Item No.: 216-302**

Ferrule; Sleeve for 0.34 mm<sup>2</sup> / 22 AWG; insulated; electro-tin plated; light turquoise

**Item No.: 216-132**

Ferrule; Sleeve for 0.34 mm<sup>2</sup> / AWG 24; uninsulated; electro-tin plated



**Item No.: 216-101**

Ferrule; Sleeve for 0.5 mm<sup>2</sup> / AWG 22; uninsulated; electro-tin plated; silver-colored

**Item No.: 216-202**

Ferrule; Sleeve for 0.75 mm<sup>2</sup> / 18 AWG; insulated; electro-tin plated; gray

**Item No.: 216-102**

Ferrule; Sleeve for 0.75 mm<sup>2</sup> / AWG 20; uninsulated; electro-tin plated; silver-colored

**Item No.: 216-122**

Ferrule; Sleeve for 0.75 mm<sup>2</sup> / AWG 20; uninsulated; electro-tin plated; silver-colored



**Item No.: 216-203**

Ferrule; Sleeve for 1 mm<sup>2</sup> / AWG 18; insulated; electro-tin plated; red

**Item No.: 216-103**

Ferrule; Sleeve for 1 mm<sup>2</sup> / AWG 18; uninsulated; electro-tin plated

**Item No.: 216-143**

Ferrule; Sleeve for 1 mm<sup>2</sup> / AWG 18; uninsulated; electro-tin plated; electrolytic copper; gastight crimped; acc. to DIN 46228, Part 1/08.92

**Item No.: 216-204**

Ferrule; Sleeve for 1.5 mm<sup>2</sup> / AWG 16; insulated; electro-tin plated; black



**Item No.: 216-144**

Ferrule; Sleeve for 1.5 mm<sup>2</sup> / AWG 16; uninsulated; electro-tin plated; electrolytic copper; gastight crimped; acc. to DIN 46228, Part 1/08.92; silver-colored

**Item No.: 216-104**

Ferrule; Sleeve for 1.5 mm<sup>2</sup> / AWG 16; uninsulated; electro-tin plated; silver-colored

**Item No.: 216-106**

Ferrule; Sleeve for 2.5 mm<sup>2</sup> / AWG 14; uninsulated; electro-tin plated; silver-colored

**1.1.2 Test and measurement**

**1.1.2.1 Testing accessories**



**Item No.: 735-500**

WAGO Test pin; 1 mm Ø; 30 V AC / 60 V DC; CAT0; 1 A; 6 mm uninsulated; Test lead for soldering up to 0,5mm<sup>2</sup>

**1.1.3 Tool**

**1.1.3.1 Operating tool**

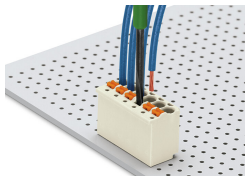


**Item No.: 210-719**

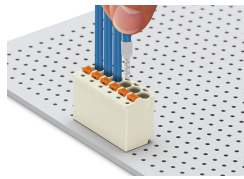
Operating tool; Blade: 2.5 x 0.4 mm; with a partially insulated shaft

## Installation Notes

### Conductor termination



Terminating fine-stranded conductors and removing all conductor types via push-buttons.



Solid and ferruled conductors are terminated by simply pushing them into unit.

### Marking



Pole marking via direct marking perpendicular to conductor entry.



Pole marking via factory direct marking.

### Testing



Testing via 1 mm Ø test pin – touch contact.