

1 TECHNICAL SPECIFICATIONS

Max. working temperature 100 °C (212 °F)

Max. working pressure 10 bar

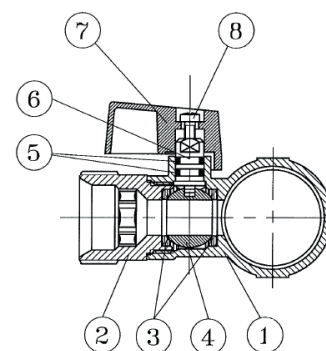
Threads ISO 228



2 MATERIALS

POS.	DESCRIPTION	N.	MATERIAL
1	Body	1	BRASS CW617N UNI EN 12165
2	Union	X	BRASS CW614N UNI EN 12164
3	Seat	Y	PTFE
4	Ball	1	BRASS CW614N UNI EN 12164
5	O-Ring	Y	EPDM
6	Lever handle	X	Aluminium
8	Screw to secure handle	X	Steel

ART.	QTY X	QTY Y
VB050502 / VB060502	2	4
VB050503 / VB060503	3	6
VB060503 / VB060504	4	8



3 OVERALL DIMENSION

CODE	ØC	ØD	I	H	L
VB050502	3/4"	3/4"	45	55	103
VB060502	3/4"	1"	45	55	103
VB050503	3/4"	3/4"	45	55	148
VB060503	3/4"	1"	45	55	148
VB050504	3/4"	3/4"	45	55	193
VB060504	3/4"	1"	45	55	193

