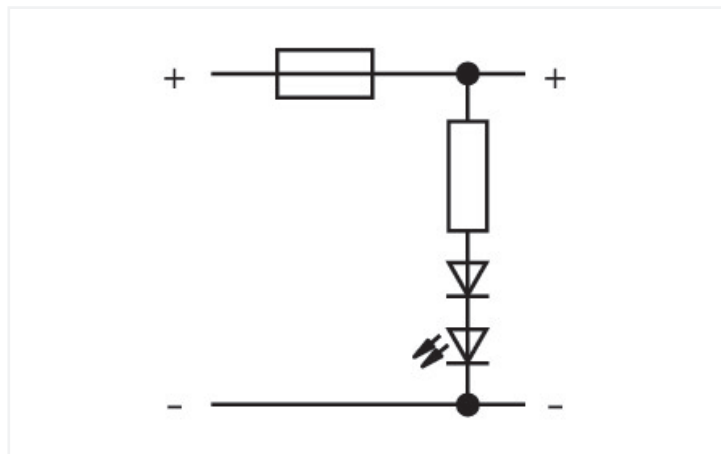


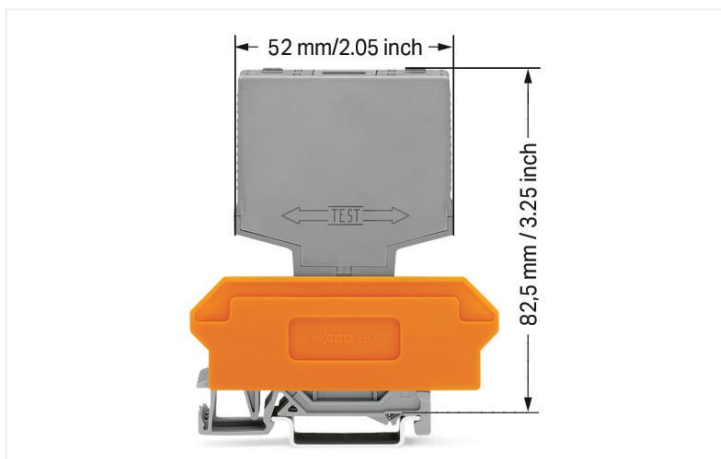
## Data Sheet | Item Number: 286-890

Component module with fuse; for (5 x 20) mm microfuse; Nominal voltage: 24 VAC/DC; gray

<https://www.wago.com/286-890>



Color: ■ gray



### Electrical data

Nominal operating voltage	AC/DC 24 V
Fuse capacity (max.)	6.3 A
Leakage current in case of a blown fuse	5 mA

### Safety and protection

Rated voltage	250 V
Rated surge voltage	4 kV
Pollution degree	3

### Physical data

Width	10 mm / 0.394 inches
Depth	52 mm / 2.047 inches

### Mechanical data

Mounting type	Pluggable module for receptacle terminal blocks
Housing design	Plug for carrier terminal blocks

### Material data

Color	gray
Fire load	0.508 MJ
Weight	14.6 g

### Environmental requirements

Ambient temperature (operation)	-25 ... +40 °C
Relative humidity	5 ... 95 % (no condensation permissible)
Operating altitude (max.)	2000 m

### Commercial data

Product Group	6 (INTERFACE ELECTRONIC)
eCl@ss 10.0	27-14-11-16
eCl@ss 9.0	27-14-11-16
ETIM 8.0	EC000899
ETIM 7.0	EC000899
PU (SPU)	25 (1) pcs
Packaging type	Box
Country of origin	DE
GTIN	4045454376451
Customs tariff number	85363010900

### Environmental Product Compliance

CAS-No.	7439-92-1 79-94-7
REACH Candidate List Substance	2,2',6,6'-tetrabromo-4,4'-isopropylidenediphenol Lead
RoHS Compliance Status	Compliant,With Exemption
RoHS Exemption	7(a) 7(c)-I
SCIP notification number (Austria)	40aa517a-da4e-4cc2-bf6a-2658ed91aea1
SCIP notification number (Belgium)	7aebf95f-bf56-4072-bd51-18668de85fe8
SCIP notification number (Bulgaria)	d7897013-0ddd-4a8b-938d-a5cbbd7db399
SCIP notification number (Czech Republic)	cb374b40-2fc2-49bd-b060-0c602ef16236
SCIP notification number (Denmark)	f18d2054-26d6-4e02-9d17-61e12ff26e44
SCIP notification number (Finland)	9d8f0225-c01a-4d69-b2d3-634875c28910
SCIP notification number (France)	8a78c84b-beff-4687-a247-0947a94f824d
SCIP notification number (Germany)	d1e8b1a4-3292-414f-ba29-22c7a1150597
SCIP notification number (Hungary)	12a4d881-3449-47d1-b542-950112ddf7dd
SCIP notification number (Italy)	b2e9bb72-01e4-43c9-b3d4-cf632aa40592
SCIP notification number (Netherlands)	29b56832-979e-49e9-9f91-4aeaf1ea4970
SCIP notification number (Poland)	902a3f17-1302-458b-b0dd-dbf8f0227f6
SCIP notification number (Romania)	54d0b5e3-2823-4631-94e4-494f9664fc7b
SCIP notification number (Sweden)	a87e806e-cdbe-4a8f-a74e-c583639b86c4

**Approvals / Certificates**

Declarations of conformity and manufacturer's declarations

Approval	Standard	Certificate Name
EU-Declaration of Conformity WAGO GmbH & Co. KG	-	-

**Downloads**

Environmental Product Compliance

Compliance Search

Environmental Product Compliance 286-890	↓
--	---

**Documentation**

Bid Text

Item No.	Date	File Type	Size	Action
286-890	19.02.2019	xml	3.17 KB	↓
286-890	02.04.2015	doc	23.50 KB	↓

Instruction Leaflet

	pdf	1246.19 KB	↓
--	-----	------------	---

**CAD/CAE-Data**

CAE data

WSCAD Universe 286-890	↓
------------------------	---

**1 Compatible Products**

1.1 Optional Accessories

1.1.1 Marking

1.1.1.1 Marker



**Item No.: 209-701**  
 WSB marking card; as card; not stretchable; plain; snap-on type; white

## 1.1.2 Terminal blocks

### 1.1.2.1 Terminal block for pluggable modules



**Item No.: 280-618**

Terminal block for pluggable modules; 4-pole; with 2-conductor terminal blocks; with orange separator; for DIN-rail 35 x 15 and 35 x 7.5; 2.5 mm<sup>2</sup>; CAGE CLAMP®; 2,50 mm<sup>2</sup>; gray



**Item No.: 280-762**

Terminal block for pluggable modules; 4-pole; with 4-conductor terminal blocks; with marker carrier; with orange separator; for DIN-rail 35 x 15 and 35 x 7.5; 2.5 mm<sup>2</sup>; CAGE CLAMP®; 2,50 mm<sup>2</sup>; gray



**Item No.: 280-608**

Terminal block for pluggable modules; 4-pole; with 4-conductor terminal blocks; with orange separator; for DIN-rail 35 x 15 and 35 x 7.5; 2.5 mm<sup>2</sup>; CAGE CLAMP®; 2,50 mm<sup>2</sup>; gray