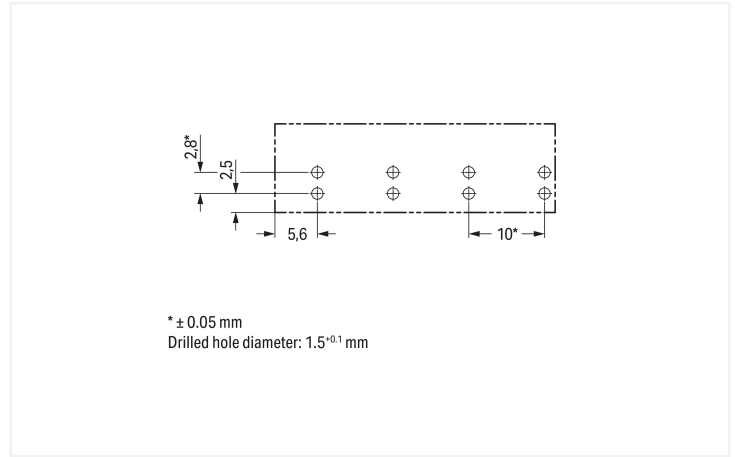
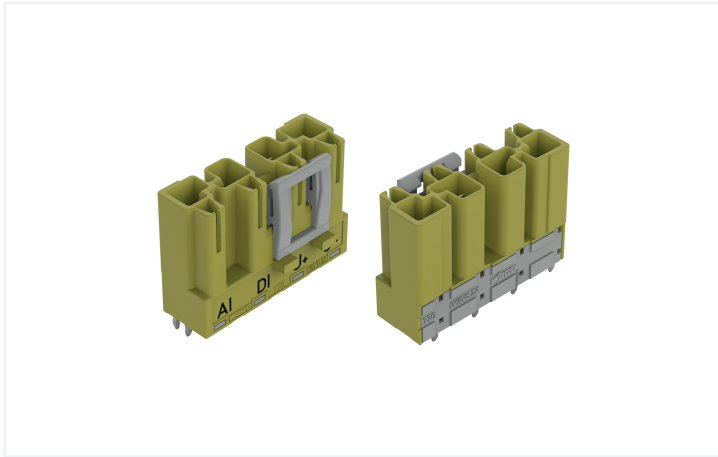


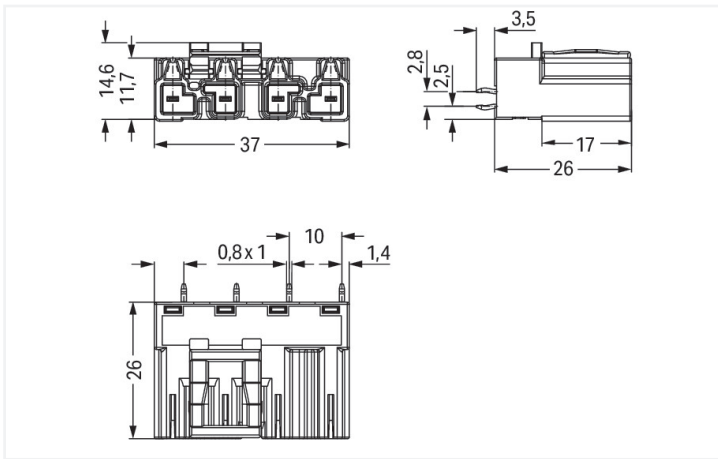
Data Sheet | Item Number: 770-874/072-000  
Plug for PCBs; straight; 4-pole; Cod. B; light green

<https://www.wago.com/770-874/072-000>



Color: ■ light green

Dimensions in mm



Dimensions in mm

### Male connector/plug WINSTA® MIDI 4-pole

The WINSTA® MIDI male connector/plug with protection against mismatching are compact but outstanding PCB terminal blocks. They offer convenient operation and the greatest possible flexibility for installation. Our pluggable PCB connectors give you a versatile pluggable connection system for your devices that meets all the conditions for a robust device connection that is easy to put into operation. For greater security in electrical installations, the pcb connectors is equipped with mechanical protection against mismatching. B coding enables the WINSTA® MIDI pcb connectors to be used for application control in automation, mechanical engineering and robotics. This pcb connectors can be used for electrical currents up to 25 A. Thus the product is also suitable for high power loads. WINSTA® MIDI with Push-in CAGE CLAMP® spring pressure connection technology is found in a broad range of individual products you can use for quick, easy, flexible, and secure installation.

Push-in CAGE CLAMP® spring pressure connection technology – pluggable installation instead of laborious screw connections!

WINSTA® is the pluggable connection system that is ideally tailored to the strict requirements of electrical installation. It allows fast, secure and, above all, error-free installation of components and cables. Now you can also lower installation expenses without compromising quality and safety: with marking eliminates the need for servicing and prevents unnecessary downtime.

- pcb connectors with protection against mismatching
- for automation controllers
- for automation controllers
- convenient installation and commissioning

## Notes

|           |   |
|-----------|---|
| Variants: | Other pole markings<br>Other versions (or variants) can be requested from WAGO Sales or configured at <a href="https://configurator.wago.com/">https://configurator.wago.com/</a> . |
|-----------|---|

## Electrical data

| Ratings per                     | IEC/EN 60664-1 |     |    |
|---------------------------------|----------------|-----|----|
| Overvoltage category            | III            | III | II |
| Pollution degree                | 3              | 2   | 2  |
| Nominal voltage                 | 400 V          | -   | -  |
| Rated impulse withstand voltage | 6 kV           | -   | -  |
| Rated current                   | 25 A           | -   | -  |

## Ratings per IEC/EN – Notes

|                      |  |
|----------------------|--|
| Rated current (note) | 25 A for 3-pole load<br>20 A for 4-pole load |
|----------------------|--|

## Approvals per

## UL 1977

|               |       |
|---------------|-------|
| Rated voltage | 600 V |
| Rated current | 23 A  |

## General information

|                            |  |
|----------------------------|--|
| Note on contact resistance | approx. 1 mΩ of contact resistance<br>approx. 0.25 mΩ contact transition plug/<br>socket |
|----------------------------|--|

## Connection Data

|                            |   |
|----------------------------|---|
| Total number of potentials | 4 |
|----------------------------|---|

## Connection 1

|             |   |
|-------------|---|
| Pole number | 4 |
|-------------|---|

## Physical data

|                                      |                                   |
|--------------------------------------|-----------------------------------|
| Pin spacing                          | 10 mm / 0.394 inches              |
| Width                                | 37 mm / 1.457 inches              |
| Height                               | 29.5 mm / 1.161 inches            |
| Height from the surface              | 26 mm / 1.024 inches              |
| Depth                                | 14.6 mm / 0.575 inches            |
| Solder pin length                    | 3.5 mm                            |
| Solder pin dimensions                | 1 x 0.8 mm                        |
| Drilled hole diameter with tolerance | 1.5 <sup>(-0.1 ... +0.1)</sup> mm |

## Mechanical data

|   |  |
|---|--|
| Use                                     | Control technology                                       |
| Coding                                  | B  |
| Variable coding                         | Yes  |
| Marking                                 | AI DI U+ U-  |
| Potential marking                       | AI DI U+ U-  |
| Mating force of a plug-in connection    | approx. 20 ... 70 N (depending on pole number)           |
| Retention force of a plug-in connection | Locked: > 80 N   |
| Unmating force of a plug-in connection  | Unlocked: approx. 20 ... 70 N (depending on pole number) |
| Number of mating cycles                 | 200, without resistive load                              |
| Design                                  | straight   |

### Plug-in connection

|                                    |  |
|------------------------------------|--|
| Contact type (pluggable connector) | Male connector/plug  |
| Connector (connection type)        | for PCB  |
| Mismating protection               | Yes  |
| Note on mismating protection       | All WINSTA® components are 100% protected against mismating when:<br>a.) plugging different numbers of poles<br>b.) plugging while rotated 180<br>c.) plugging while laterally staggered<br>d.) plugging one pole  |
| Mating direction to the PCB        | 90 °   |
| Locking lever                      | Yes  |
| Locking of plug-in connection      | Locking lever  |
| Note on locking system             | All connectors for mounted installations (snap-in versions for lighting fixtures or devices, all types of PCB and distribution connectors) are factory-equipped with locking levers to ensure plugs and sockets are securely locked. Additional locking levers are only required for flying leads (plug/socket). |

### PCB contact

|                                     |                            |
|-------------------------------------|----------------------------|
| PCB contact                         | THT                        |
| Solder pin arrangement              | 2 in-line solder pins/pole |
| Number of solder pins per potential | 2                          |

### Material data

|                                    |  |
|------------------------------------|--|
| Note (material data)               | <a href="#">Information on material specifications can be found here</a> |
| Color                              | light green  |
| Insulation material (main housing) | Polyamide (PA66)   |
| Flammability class per UL94        | V0   |
| Clamping spring material           | Chrome-nickel spring steel (CrNi)  |
| Contact material                   | Copper or copper alloy; surface-treated                                  |
| Contact Plating                    | Tin  |
| Fire load                          | 0.194 MJ   |
| Weight                             | 8.8 g  |

### Environmental requirements

|  |  |
|--|--|
| Processing temperature                   | -5 ... +40 °C                              |
| Continuous operating temperature         | -35 ... +85 °C                             |
| Note on continuous operating temperature | Insulating parts for temperatures ≤ 105 °C |

### Commercial data

|                       |               |
|-----------------------|---------------|
| PU (SPU)              | 50 pcs        |
| Packaging type        | Box           |
| Country of origin     | PL            |
| GTIN                  | 4050821555759 |
| Customs tariff number | 85366990990   |

**Product Classification**

|             |                      |
|-------------|----------------------|
| UNSPSC      | 39121409             |
| eCl@ss 10.0 | 27-44-06-05          |
| eCl@ss 9.0  | 27-44-06-05          |
| ETIM 9.0    | EC002637             |
| ETIM 10.0   | EC002637             |
| ECCN        | NO US CLASSIFICATION |

**Environmental Product Compliance**

|                        |                         |
|------------------------|-------------------------|
| RoHS Compliance Status | Compliant, No Exemption |
|------------------------|-------------------------|

**Approvals / Certificates**

**General approvals**



| Approval                                   | Standard | Certificate Name |
|--|----------|------------------|
| cURus<br>Underwriters Laboratories<br>Inc. | UL 1977  | E45171           |

**Downloads**

**Environmental Product Compliance**

| Compliance Search                                   |
|---|
| Environmental Product Compliance<br>770-874/072-000 |

**CAD/CAE-Data**

| CAD data                        |
|---------------------------------|
| 2D/3D Models<br>770-874/072-000 |

| CAE data                        |
|---------------------------------|
| ZUKEN Portal<br>770-874/072-000 |

**1 Compatible Products**

**1.1 System counterpart**

**1.1.1 Female connector/socket**



**Item No.: 770-264/072-000**  
 Socket; 4-pole; Cod. B; 4,00 mm<sup>2</sup>; light green

## 1.2 Required Accessories

### 1.2.1 Cover

#### 1.2.1.1 Cover



Item No.: [770-360](#)

Lockout cap; for plugs; 5-pole; separable;  
yellow

## 1.3 Optional Accessories

### 1.3.1 Coding

#### 1.3.1.1 Coding



Item No.: [770-401](#)

Coding pin; for plugs; Plastic; gray