

Light sensor, 24 V, 3-60000 lux, IP54

350-10012

CE

4 year warranty



24V



IP54



3 lx – 60,000
lx



surface-
mounting



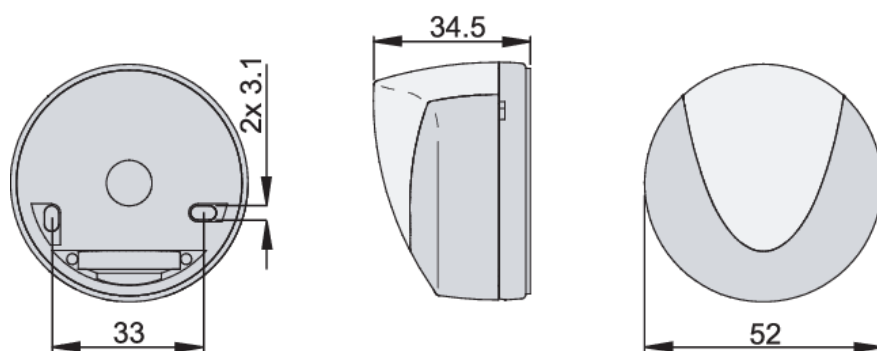
This photo cell is used in combination with a daylight control module (360-35010). The light sensitivity can be set from 3 to 300 lx, from 30 lx to 3 klx, from 300 lx to 30 klx or from 600 lx to 60 klx. This photo cell is suitable for outdoor applications and has an IP54 protection degree.

Colour: grey

Technical features

Input voltage	24 Vdc \pm 10 %
Detector output	0-10 V
Minimum ambient temperature	40 °C
Maximum ambient temperature	50 °C
Mounting method	surface mounting
Colour	grey
Dimensions (HxWxD)	52 mm x 52 mm x 34.5 mm
Protection degree standalone	IP54
Impact resistance	IK02

Dimensions



Wiring diagram

