

36 512 979 Product version from 4/1/2024



- water jet adjustable
- forceful flat water jet
- horizontal water jet
- max. flow 10 l/min
- Function from: 5.7 l/min

Technical data:

- cover plate 240 x 60 mm
- 1/2" connection

Notes:

- This product can help a building meet the requirements of Green Building Rating Systems, e.g. LEED®, BREEAM®, DGNB

| | | |
|--|--------------------------------|---------------|
| | Brushed Durabronze (23kt Gold) | 36 512 979-28 |
| | Chrome | 36 512 979-00 |
| | Brushed Platinum | 36 512 979-06 |
| | Platinum | 36 512 979-08 |
| | Dark Chrome | 36 512 979-19 |
| | Light Gold (PVD) | 36 512 979-26 |
| | Brushed Light Gold (PVD) | 36 512 979-27 |
| | Matte Black | 36 512 979-33 |
| | Brushed Gold (PVD) | 36 512 979-37 |
| | Brushed Dark Brass (PVD) | 36 512 979-39 |
| | Brushed Bronze (PVD) | 36 512 979-42 |
| | Brushed Dark Bronze (PVD) | 36 512 979-43 |
| | Brushed Champagne (22kt Gold) | 36 512 979-46 |
| | Champagne (22kt Gold) | 36 512 979-47 |
| | Brushed Chrome | 36 512 979-93 |
| | Brushed Dark Platinum | 36 512 979-99 |

Required miscellaneous

| | |
|--|--|
| | Concealed wall installation box - 35 206 970 90 |
| | •min. recess depth 100 mm |
| | •max. recess depth 173 mm |

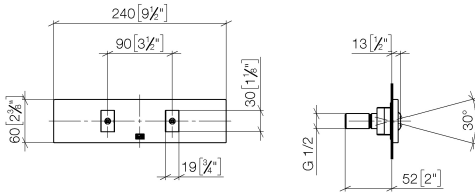
Required miscellaneous

| | |
|--|--|
| | xGRID Installation track 555 mm - 12 360 970 90 |
|--|--|

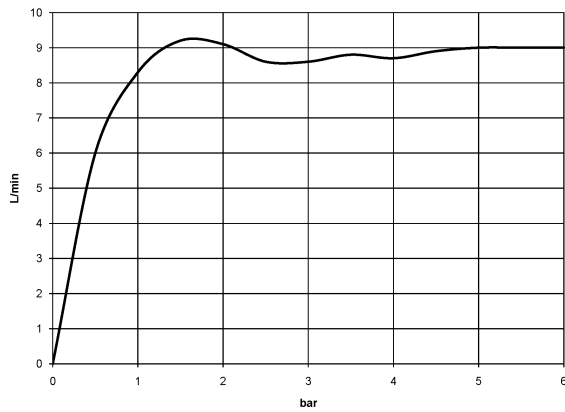
Recommended miscellaneous

| | |
|--|--|
| | xGRID Attachment set for integrating in the dry wall construction - 12 340 970 90 |
|--|--|

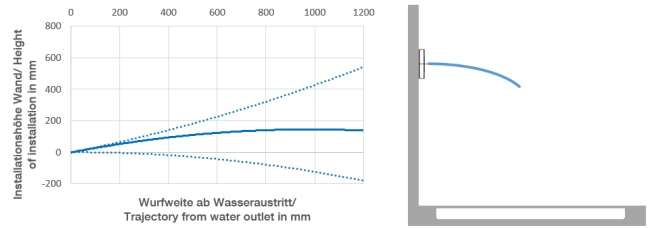
36 512 979 Product version from 4/1/2024
mm [inches]



Flow rate chart



Trajectory diagram



Codes & Standards

DIN 4109

ISO 3822

Scottish Water
Byelaws

UK Water Supply
Regulations

Ü-Zeichen



WATER FAN horizontal Concealed body spray - Brushed Durabronz (23kt Gold)

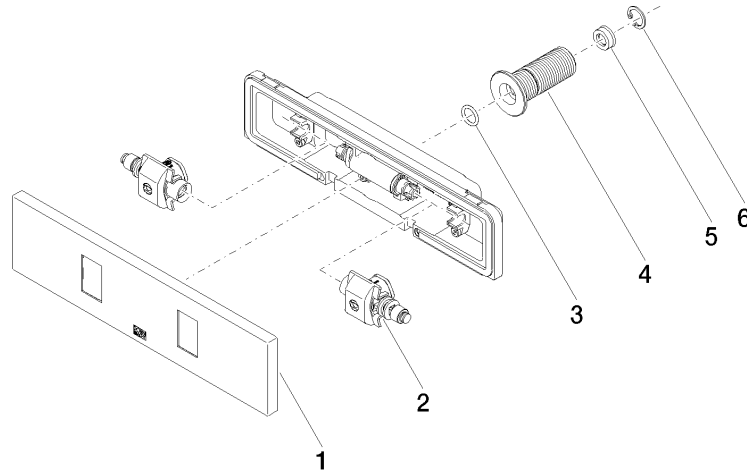
SERIES-VARIOUS

36 512 979 Product version from 4/1/2024

Certificates and sustainability

LGA_29

WRAS_250602



Spare parts list

| No. | Item Number | Name | Quantity used | Delivery time |
|-----|--------------------|---|---------------|---------------|
| 3 | 09 14 10 003 90 | O-Ring EPDM 70 11,0 x 2,0 mm - | 1.00 | 14 |
| 4 | 09 24 05 015 90 | Nipple for Water Fan Ø 32,3 x 42 mm - | 1.00 | 14 |
| 5 | 09 23 01 134 90 | Flow limiter grey 9,5 l/min. - | 1.00 | 14 |
| 2 | 90 31 10 012 00 90 | Insert Horizontal nozzle 98 x 64 x 64 mm - | 1.00 | 14 |
| 1 | 90 27 99 002 00-28 | Rosette 240 x 60 x 9 mm - Brushed Durabronz (23kt Gold) | 1.00 | 40 |
| 6 | 09 16 01 014 90 | Ring Retaining ring Ø 15 x 1 mm - | 1.00 | 14 |