

Presence detector
353-600121

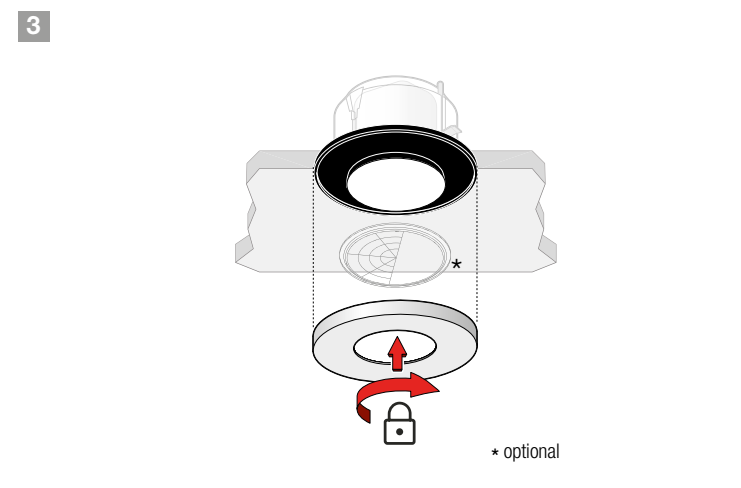
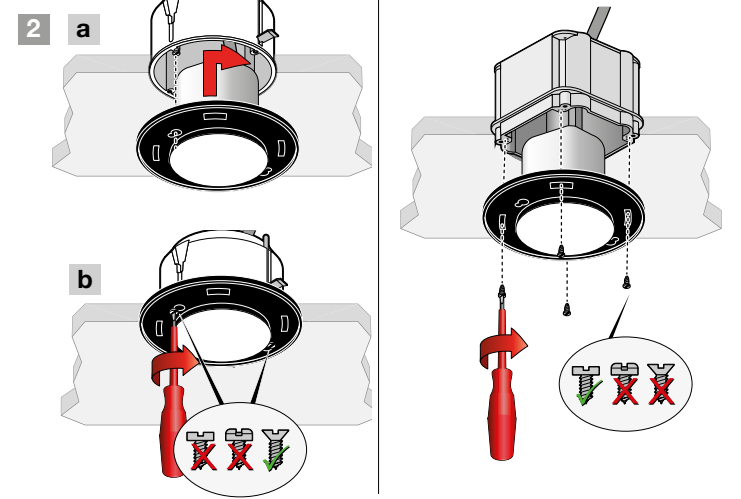
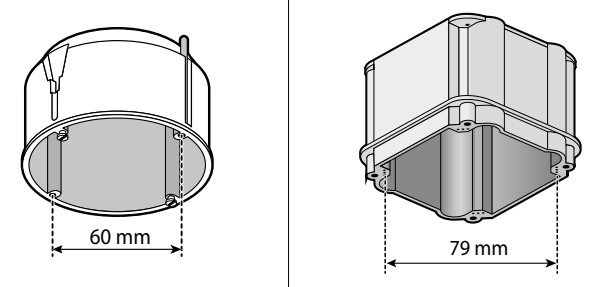
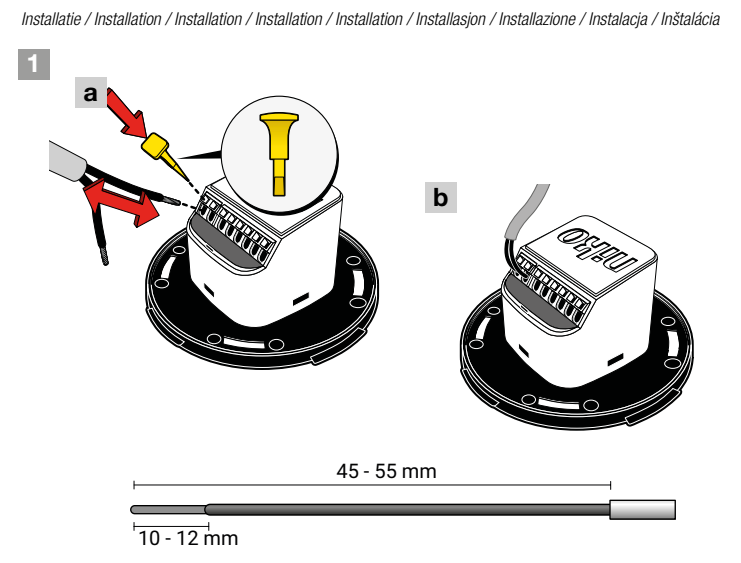


4 year warranty

- EN** Presence detector P42MR, 230 V, master, 12-13 m, 360°, for flush-mounting box
- NL** Aanwezigheidsmelder P42MR, 230 V, master, 12-13 m, 360°, voor inbouwdoos
- FR** Détecteur de présence P42MR, 230 V, maître, 12-13 m, 360°, pour boîte d'encastrement
- DE** Präsenzmelder P42MR, 230 V, Master, 12-13 m, 360°, für Unterputzdose
- DK** Tilstedeværelsessensor P42MR, 230 V, master, 12-13 m, 360°, til indbygningsdåse
- SE** Närvarosensor P42MR, 230 V, master, 12-13 m, 360°, för infälld dosa
- NO** Tilstedeværelsessensor P42MR, 230 V, master, 12-13 m, 360°, til innfelt monteringsboks
- IT** Rilevatore di presenza P42MR, 230 V, master, 12-13 m, 360°, per scatola da incasso
- PL** Czujnik obecności P42MR, 230 V, nadrzędny, 12-13 m, 360°, do montażu w puszcze podtynkowej
- SK** Detektor prítomnosti P42MR, 230 V, master, 12-13 m, 360°, na montáž do zapustenej montážnej krabice

Installation

⚠ 230 V – OFF



App settings

⚠ 230 V – ON

App-instellingen / Réglages de l'app / App-Einstellungen / App indstillinger / Appställningar / App-innstillinger / Impostazioni dell'app / Ustawienia aplikacji / Nastavenia aplikácie

Factory settings	Switch ON/OFF	500 lux	15 min
-------------------------	---------------	---------	--------



LED behaviour

⚠ 230 V – ON

Ledgedrag / Comportement des LED / LED-Verhalten / LED funktioner / LED-funktioner / LED-funksjon / Comportamento del LED / Zachowanie LED / LED signalizácia

EN	Green LED continuous on	●	Connection OK	
	Green LED breathing	●	Connection OK, overrule ON	
	Green LED flashing	●	Warming up	Wait
	Red LED continuous on	●	Error	More info -->
	Red LED breathing	●	Warning	niko detector tool
	Blue LED flashing	●	Walk test active	

NL	Groene led brandt	●	Verbinding OK	
	Groene led gaat langzaam aan en uit	●	Verbinding OK, overrulen AAN	
	Groene led knippert	●	Warmt op	Even geduld
	Rode led brandt	●	Fout	Meer informatie -->
	Rode led gaat langzaam aan en uit	●	Waarschuwing	niko detector tool
	Blauwe led knippert	●	Wandeltest geactiveerd	

FR	LED verte allumée en continu	●	Connexion OK	
	LED verte respire	●	Connexion OK, overrule ON	
	LED verte clignote	●	Chauffe	Attendez
	LED rouge allumée en continu	●	Erreur	Pus d'info -->
	LED rouge respire	●	Avertissement	niko detector tool
	LED bleue clignote	●	Test de mouvement actif	

DE	Grüne LED leuchtet	●	Verbindung OK	
	Grüne LED pulsiert	●	Verbindung OK, überstimmen AN	
	Grüne LED blinkt	●	Aufwärmen	Warten
	Rote LED leuchtet	●	Fehler	Mehr Info -->
	Rote LED pulsiert	●	Warnung	niko detector tool
	Blaue LED blinkt	●	Bewegungstest aktiv	

DK

Grøn LED lyser konstant	●	Forbindelse OK	
Grøn LED blinker langsomt	●	Forbindelse OK, overstyring aktiv	
Grøn LED blinker hurtigt	●	Varmer op	Vent
Rød LED lyser konstant	●	Fejl	Mere info -->
Rød LED blinker langsomt	●	Advarsel	niko detector tool
Blå LED blinker hurtigt	●	Gå-test aktiv	

SE

Grøn LED kontinuerligt på	●	Anslutning OK	
Grøn LED-andning	●	Anslutning OK, upphäva ON	
Grøn LED blinkar	●	Värmer upp	Vänta
Röd LED kontinuerligt på	●	Fel	Mer information -->
Röd LED-andning	●	Varning	niko detector tool
Blå LED blinkar	●	Promenadstest aktivt	

NO

Grønn lysdiode kontinuerlig på	●	Tilkopling OK	
Grønn lysdiode fungerer	●	Tilkopling OK, overstyring PÅ	
Grønn lysdiode blinker	●	Varmes opp	Vent
Rød lysdiode kontinuerlig på	●	Feil	Mere info -->
Rød lysdiode fungerer	●	Advarsel	niko detector tool
Blå lysdiode blinker	●	Funksjonstest virksom	

IT

LED verde sempre acceso	●	Connessione OK	
LED verde della respirazione	●	Connessione OK, annullamento ACCESO	
LED verde lampeggiante	●	Riscaldamento	Attendere
LED rosso sempre acceso	●	Errore	Maggiori info -->
LED rosso della respirazione	●	Avvertenza	niko detector tool
LED blu lampeggiante	●	Test del cammino attivo	

PL

Zielona dioda LED świeci światłem ciągłym	●	Połączenie OK	
Zielone światło LED pulsuje	●	Połączenie OK, odrzuć ON	
Zielona dioda LED miga	●	Rozgrzewanie	Czekaj
Czerwona dioda LED świeci światłem ciągłym	●	Błąd	Więcej informacji -->
Czerwona dioda LED pulsuje	●	Ostrzeżenie	niko detector tool
Niebieska dioda LED miga	●	Test przejścia aktywny	

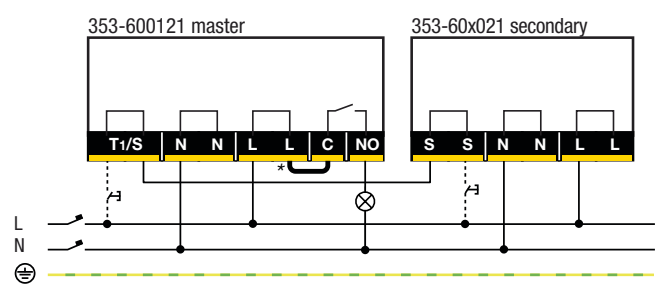
SK

Zelená LED kontrolka svieti	●	Pripojenie OK	
Zelená LED pulzuje	●	Pripojenie OK, ovládanie zapnuté	
Zelená LED kontrolka bliká	●	Zahrievanie	Počkajte
Červená LED svieti	●	Chyba	Viac informácií -->
Červená LED pulzuje	●	Upozornenie	niko detector tool
Modrá LED bliká	●	Test chodenia je aktívny	

Wiring

⚠ 230 V – OFF

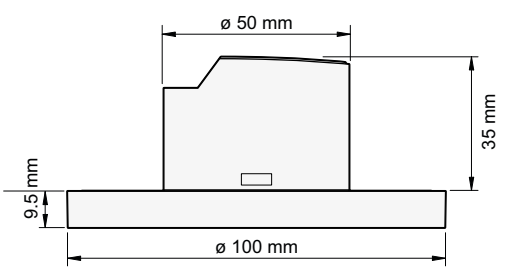
Aansluitschema / Schéma de raccordement / Verdrahtung / Tíslutningsskema / Kopplingschema / Ledningstillkopling / Cablaggio / Okablowanie / Instalácia



* Remove if you want to use the contact as a dry contact (potential-free).
 ⚠ This product must be secured with a miniature circuit breaker (MCB) of max. 16 A in the electrical cabinet. The MCB rating is limited by national installation rules.

Dimensions

Afmetingen / Dimensions / Abmessungen / Dimensioner / Mått / Dimensioner / Dimensioni / Wymiary / Rozmery



* optional

