

Deck valve anti-clockwise closing cold - Chrome

SERIES SPECIFIC

20 004 716 Product version from 6/1/2015

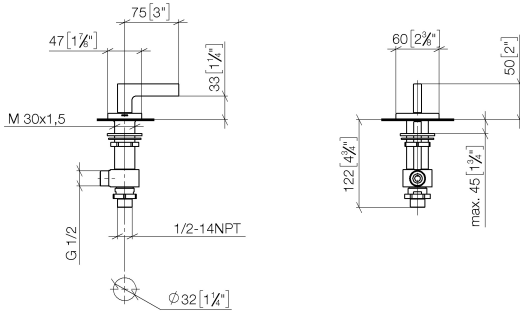


- hole diameter 32 mm
- rosette 60 x 47 mm
- with cold marking

| | | |
|---|-------------------------------|---------------|
|  | Chrome | 20 004 716-00 |
|  | Brushed Platinum | 20 004 716-06 |
|  | Dark Chrome | 20 004 716-19 |
|  | Brushed Light Gold (PVD) | 20 004 716-27 |
|  | Brushed Bronze (PVD) | 20 004 716-42 |
|  | Brushed Champagne (22kt Gold) | 20 004 716-46 |
|  | Champagne (22kt Gold) | 20 004 716-47 |
|  | Brushed Dark Platinum | 20 004 716-99 |

20 004 716 Product version from 6/1/2015

mm [inches]



Flow rate chart



Codes & Standards

| | | | |
|----------------|-------|-----------|----------|
| ASME A112.18.1 | cUPC | DIN 4109 | ISO 3822 |
| NSF372 | NSF61 | Ü-Zeichen | |



Deck valve anti-clockwise closing cold - Chrome

SERIES SPECIFIC

20 004 716 Product version from 6/1/2015

Certificates and sustainability

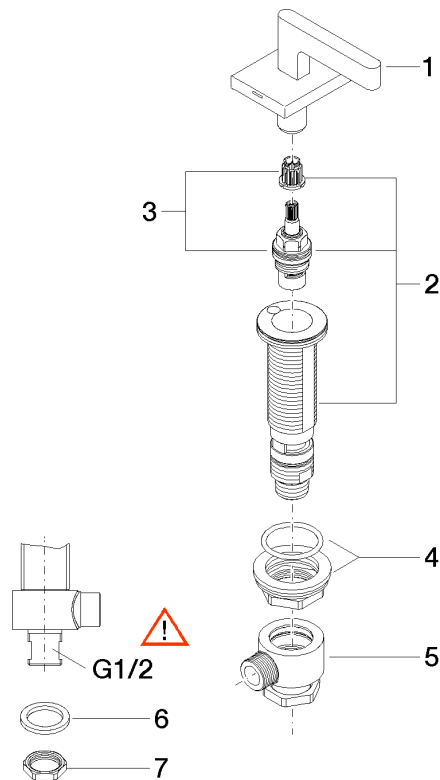
IAPMO_N-4

LGA_28

IAPMO_4976

IAPMO_6

EPD-DOR-20230287
-IBA1-EN
Environmental.prod
uct-declarat



Spare parts list

| No. | Item Number | Name | Quantity used | Delivery time |
|-----|--------------------|--|---------------|---------------|
| 6 | 09 30 11 059 90 | Disc - | 1.00 | 14 |
| 5 | 04 17 11 023 10 90 | Connection Distributor, complete 1/2" - | 1.00 | 14 |
| 1 | 90 20 70 057 03-00 | Handle for basin Cold Lever 60 x 47,5 x 40 mm - Chrome | 1.00 | 20 |
| 7 | 09 23 10 012 90 | Mounting Nut SW 24 1/2" - | 1.00 | 14 |
| 4 | 04 23 10 032 78 90 | Mounting with seals M30 x 1,5 - | 1.00 | 14 |
| 2 | 04 17 11 058 52 90 | Side piece 1/2" - | 1.00 | 14 |
| 3 | 90 90 03 152 00 90 | Head part anti-clockwise closing extended, 7mm 1/2" - | 1.00 | 14 |