

27 811 980



- COMPACT RAIN, max. flow rate 6.8 l/min (at 3 bar)
- Function from: 5 l/min
- inherently safe from back flow
- with anti-scale system
- metal shower hose 1250mm with integrated anti-twist protection

**technical data:**

- rosette for wall elbow 60 x 60mm
- rosette for shower holder 60 x 60mm
- 1/2" wall elbow
- 3/8" shower outlet

**Notes:**

- This product can help a building meet the requirements of Green Building Rating Systems, e.g. LEED®, BREEAM®, DGNB

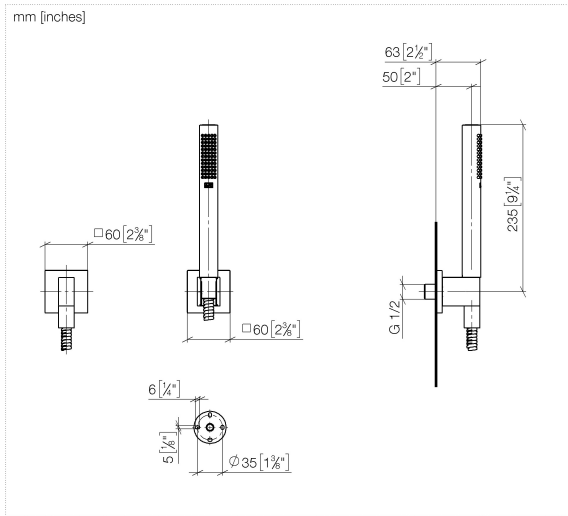
	Brushed Gold (PVD)	27 811 980-37 0010
	Chrome	27 811 980-00 0010
	Brushed Platinum	27 811 980-06 0010
	Platinum	27 811 980-08 0010
	Dark Chrome	27 811 980-19 0010
	Light Gold (PVD)	27 811 980-26 0010
	Brushed Light Gold (PVD)	27 811 980-27 0010
	Brushed Durabronze (23kt Gold)	27 811 980-28 0010
	Matte Black	27 811 980-33 0010
	Brushed Dark Brass (PVD)	27 811 980-39 0010
	Brushed Bronze (PVD)	27 811 980-42 0010
	Brushed Dark Bronze (PVD)	27 811 980-43 0010
	Brushed Champagne (22kt Gold)	27 811 980-46 0010
	Champagne (22kt Gold)	27 811 980-47 0010
	Brushed Chrome	27 811 980-93 0010
	Brushed Dark Platinum	27 811 980-99 0010

Recommended miscellaneous



- Concealed wall elbow -** 35 085 970 90
- min. recess depth 90 mm
  - max. recess depth 163 mm

27 811 980



### Codes & Standards

ASME A112.18.1

cUPC

### Certificates and sustainability

IAPMO\_4976 (

27 811 980

