





LULU xTOOL Concealed thermostat without volume control 3/4" - Brushed Platinum

LULU

36 503 710 Product version up to 12/31/2021



- cover plate 120 x 120 mm
- temperature control handle with safety limit stop at 38°C
- thermostat cartridge
- WRAS

	Brushed Platinum	36 503 710-06
	Chrome	36 503 710-00

Required miscellaneous



xTOOL Concealed thermostat module without volume control - 35 503 970 90
•min. recess depth 85 mm
•max. recess depth 110 mm

Recommended miscellaneous



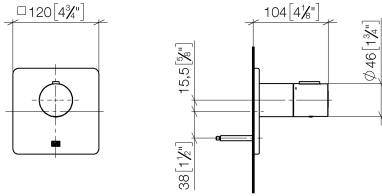
xGRID Attachment set for integrating in the dry wall construction - 12 340 970 90

Required miscellaneous

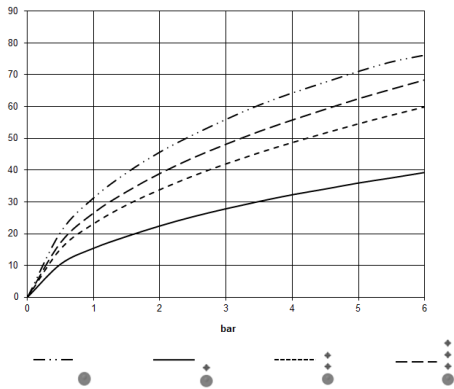


xGRID Installation track 555 mm - 12 360 970 90

36 503 710 Product version up to 12/31/2021
mm [inches]



Flow rate chart



Codes & Standards

DIN 4109

EN 1111

ISO 3822

Scottish Water
Byelaws

UK Water Supply
Regulations

Ü-Zeichen



LULU xTOOL Concealed thermostat without volume control 3/4" - Brushed
Platinum

LULU

36 503 710 Product version up to 12/31/2021

Certificates and sustainability

WRAS_2011

DVGW_DW-
6512DN0

LGA_29

LGA_29

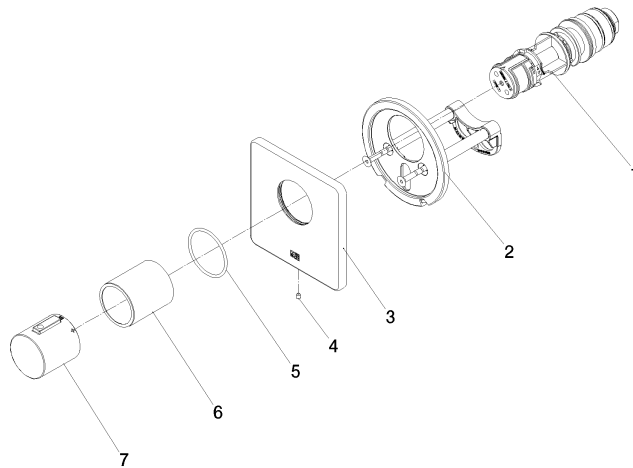
LGA_29

EPD-DOR-20230287

-IBA1-EN

Environmental.prod

uct-declarat



Spare parts list

No.	Item Number	Name	Quantity used	Delivery time
2	90 11 01 196 00 90	Retainer -	1.00	14
6	90 21 02 112 00-06	Sleeve - Brushed Platinum	1.00	20
4	09 31 11 044 90	Mounting Threaded pin with hexagon socket with cup point M4 x 5 mm -	1.00	14
7	90 17 33 020 00-06	Handle for thermostat Ø 46 x 48 mm - Brushed Platinum	1.00	20
5	90 14 10 049 00 90	O-Ring 45,69 x 2,62 mm -	1.00	14
1	90 15 02 063 00 90	Thermostat cartridge with control unit Ø 44 x 147 mm -	1.00	14
3	09 11 02 541-06	xTOOL Cover - Brushed Platinum	1.00	20