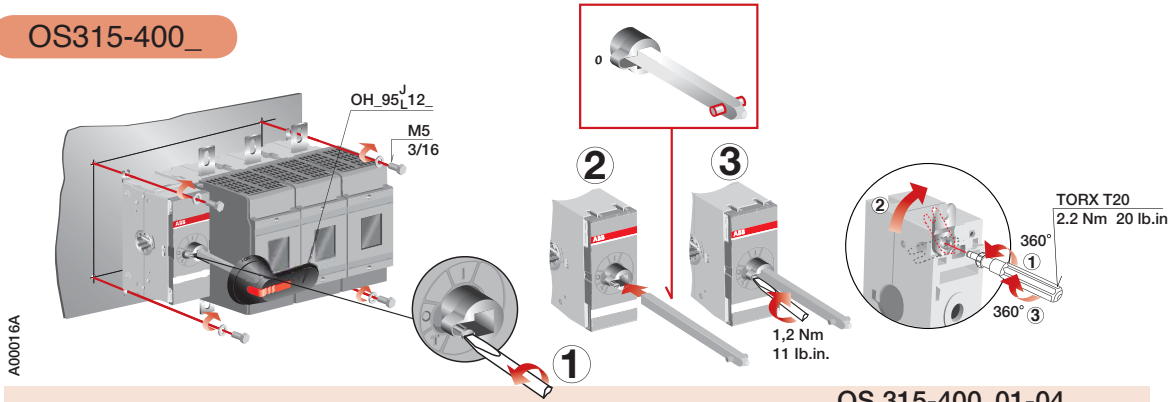


OS315-400

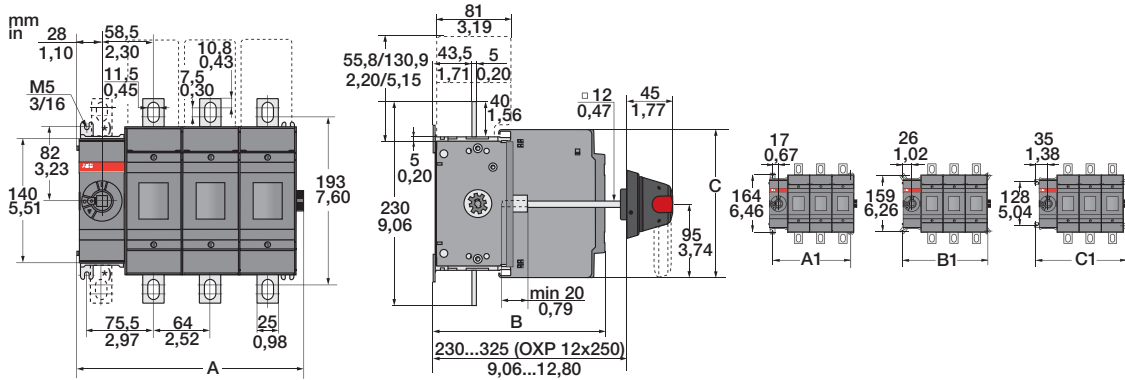
1SCC311015M0005

Document no. 34OS315-400 E

OS315-400_



OS 315-400_01-04

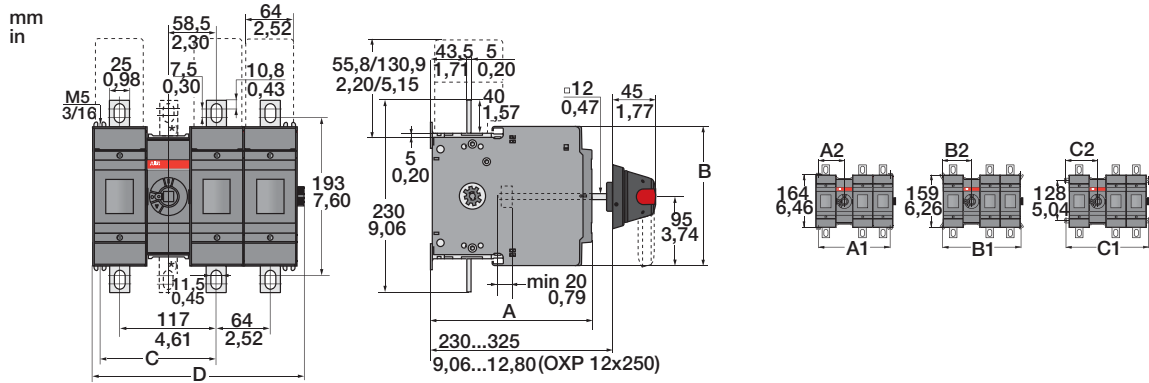


*) OS_N3

OS315 - 400				OS400								
B01	B02	B03	B04	D01	D02	D03	D04	J01	J02	J03	J04	
mm	mm	mm	mm	mm	mm	mm	mm	mm/in	mm/in	mm/in	mm/in	
A	127	191	255	319	127	191	255	319	127/5,00	191/7,52	255/10,04	319/12,56
B	176	176	176	176	193	193	193	193	176/6,93	176/6,93	176/6,93	176/6,93
C	194	194	194	194	166	166	166	166	194/7,64	194/7,64	194/7,64	194/7,64

	OS315				OS400			
	B01	B02	B03	B04	B01/D01/J01	B02/D02/J02	B03/D03/J03	B04/D04/J04
	mm	mm	mm	mm	mm/in	mm/in	mm/in	mm/in
A1	98.5	162.5	226.5	290.5	98.5/3,88	162.5/6,40	226.5/8,92	290.5/11,44
B1	116.5	180.5	244.5	308.5	116.5/4,59	180.5/7,11	244.5/9,63	308.5/12,15
C1	134.5	198.5	262.5	326.5	134.5/5,30	198.5/7,81	262.5/10,33	326.5/12,85

OS 315-400_11-22



*) OS_N3

OS315-400						OS400								
B11	B12	B13	B21	B22	D11	D12	D13	D21	D22	J11	J12	J13	J21	J22
mm	mm	mm	mm	mm	mm	mm	mm	mm	mm	mm/in	mm/in	mm/in	mm/in	mm/in
A	176	176	176	176	176	193	193	193	193	176/6,93	176/6,93	176/6,93	176/6,93	176/6,93
B	194	194	194	194	166	166	166	166	166	194/7,64	194/7,64	194/7,64	194/7,64	194/7,64
C	140	140	140	204	204	140	140	204	204	140/5,51	140/5,51	204/8,03	204/8,03	204/8,03
D	190	254	318	254	318	190	254	318	254	190/7,48	254/10,00	318/12,52	254/10,00	318/12,52

	OS315					OS400				
	B11	B12	B21	B22	B13	B11/D11/J11	B12/D12/J12	B21/D21/J21	B22/D22/J22	B13/D13/J13
	mm	mm	mm	mm	mm	mm/in	mm/in	mm/in	mm/in	mm/in
A1	163	227	227	291	291	163/6,42	227/8,94	227/8,94	291/11,46	291/11,46
A2	81.5	81.5	145.5	145.5	81.5	81.5/3,21	81.5/3,21	145.5/5,73	145.5/5,73	81.5/3,21
B1	181	245	245	309	309	181/7,13	245/9,65	245/9,65	309/12,17	309/12,17
B2	90.5	90.5	154.5	154.5	90.5	90.5/3,56	90.5/3,56	154.5/6,08	154.5/6,08	90.5/3,56
C1	199	263	263	327	327	199/7,83	263/10,35	263/10,35	327/12,87	327/12,87
C2	99.5	99.5	163.5	163.5	99.5	99.5/3,92	99.5/3,92	163.5/6,44	163.5/6,44	99.5/3,92

OS315-400

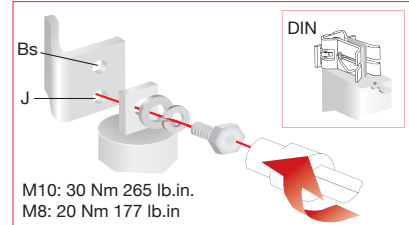
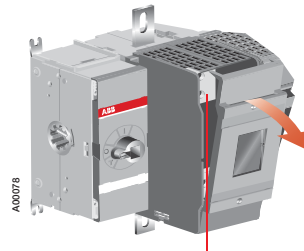
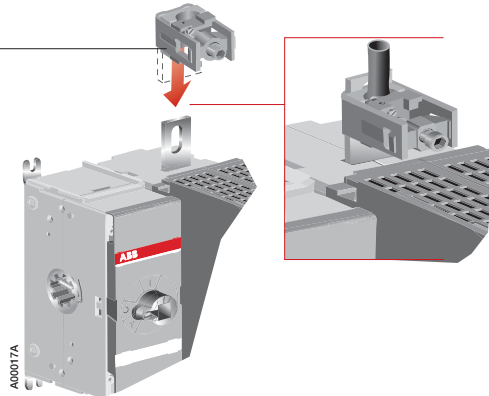
OZX_

OS315, OS400

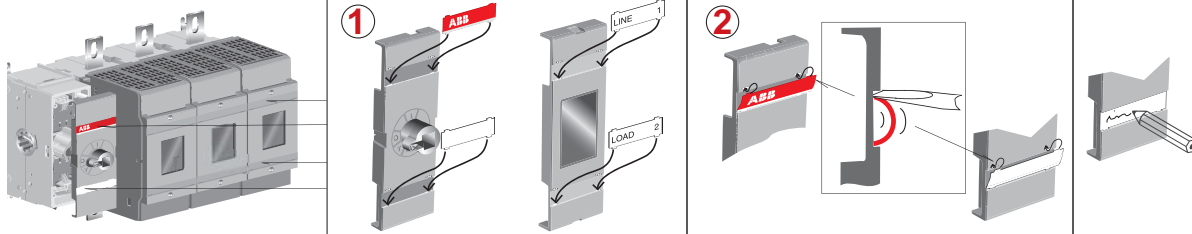
OZXB2L
OZXB3
OZXB4
OZXB7
OZXB7L
OZXB8
OZXB9

OS400J

OZXA-400_
OZXA-406_



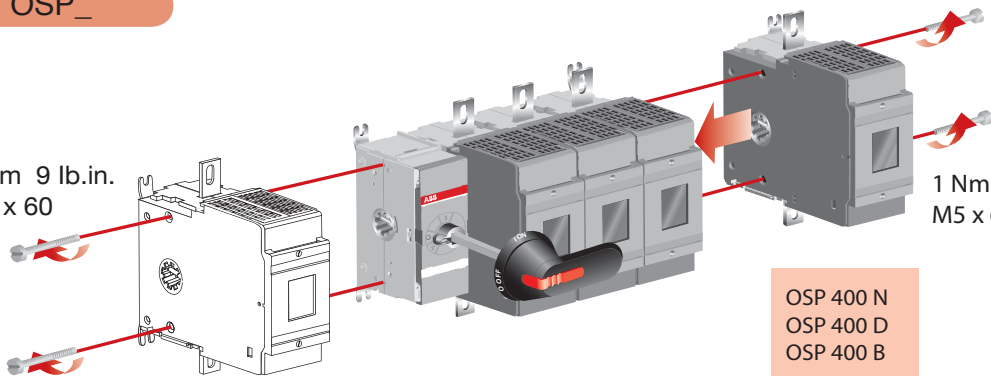
Label



OSP_

1 Nm 9 lb.in.
M5 x 60

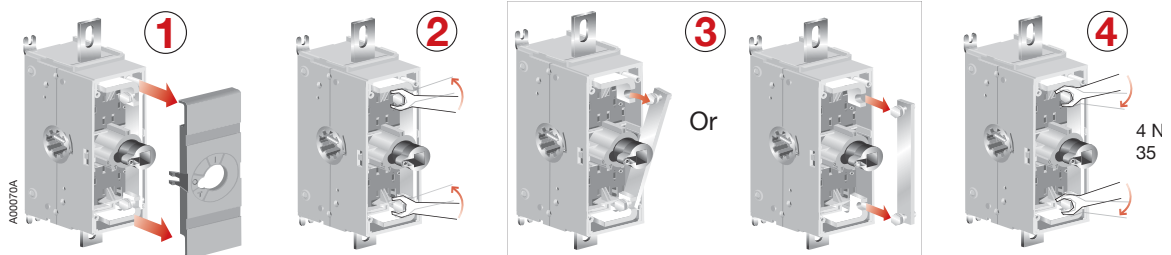
A00019A



1 Nm 9 lb.in.
M5 x 60

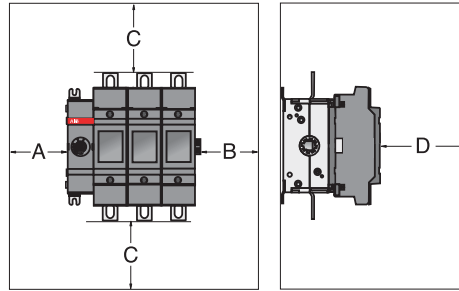
OSP 400 N
OSP 400 D
OSP 400 B

OS_N3, OXN400



OS315-400

Clearances per UL98



A	B	D
0	13 mm 0,5 in	13 mm 0,5 in

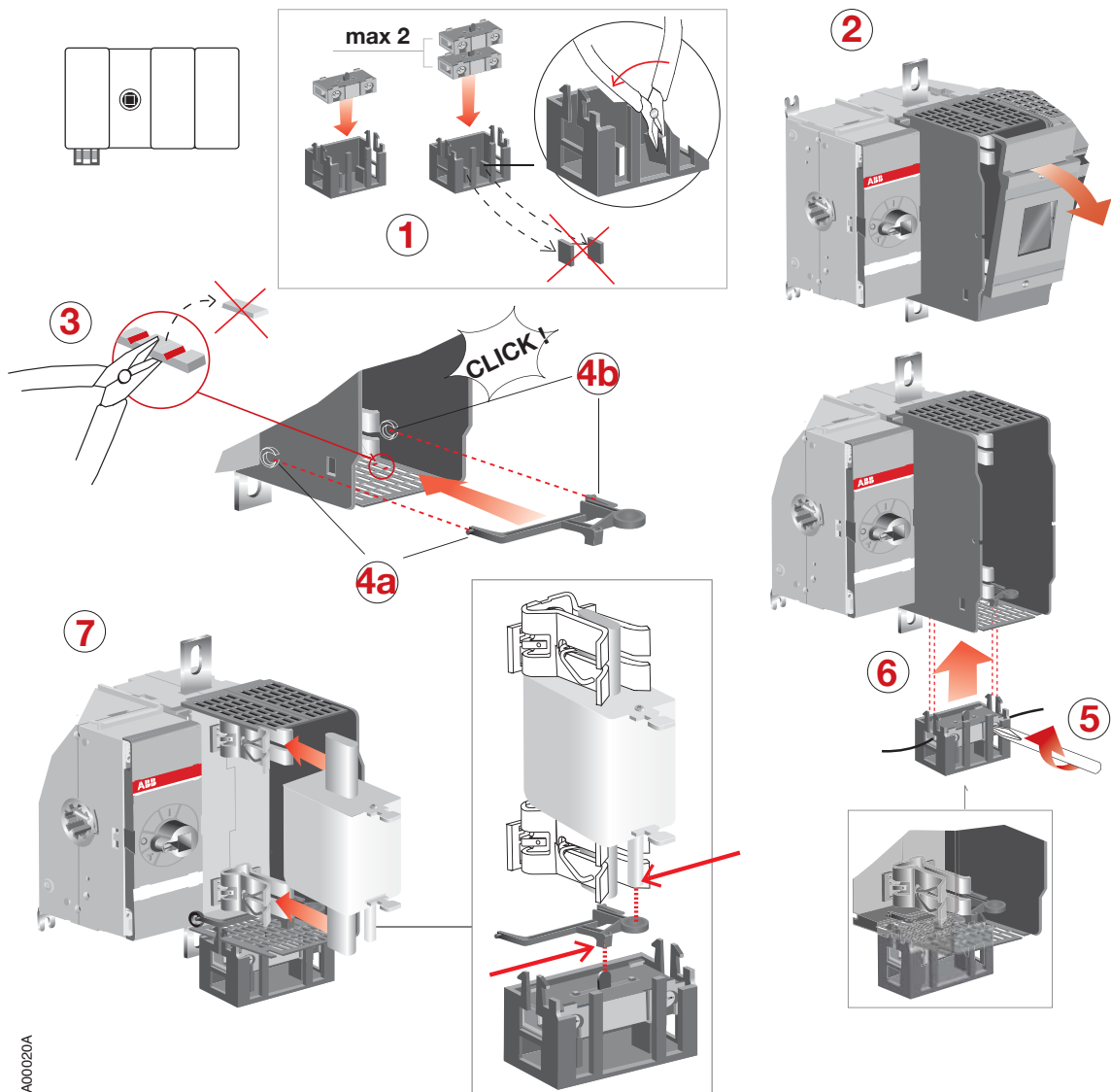
C	
Cable size AWG/MCM	
4-3	250
100 mm 4 in	200 mm 8 in
2	300
100 mm 4 in	250 mm 10 in
1	400
100 mm 4 in	330mm 13 in
1/0	500
125 mm 5 in	356 mm 14 in
2/0	600
150 mm 6 in	381 mm 15 in
3/0 - 4/0	
175 mm 7 in	

Minimum enclosure size or equivalent volume

Switch	Heigh	Width	Depth
3-pole	610	356	254
4-pole	610	508	254

A00104A

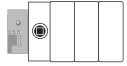
DPMM_



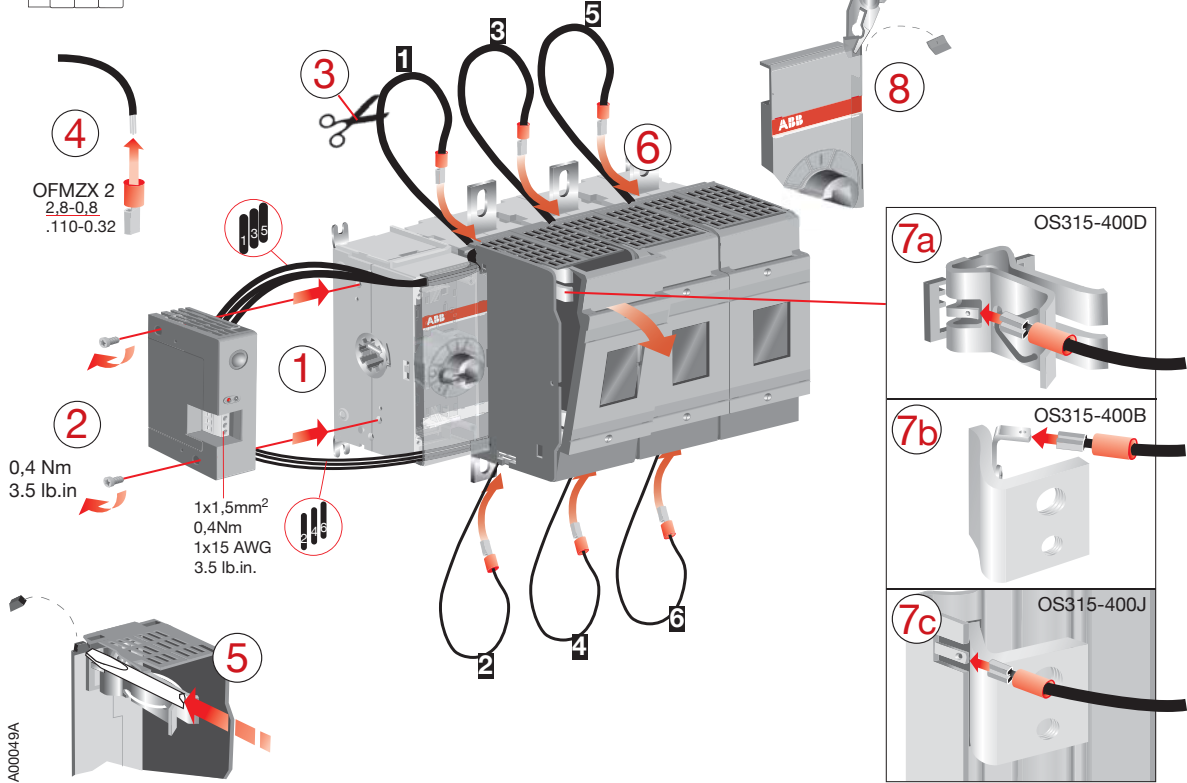
A00020A

OS315-400

OFS_

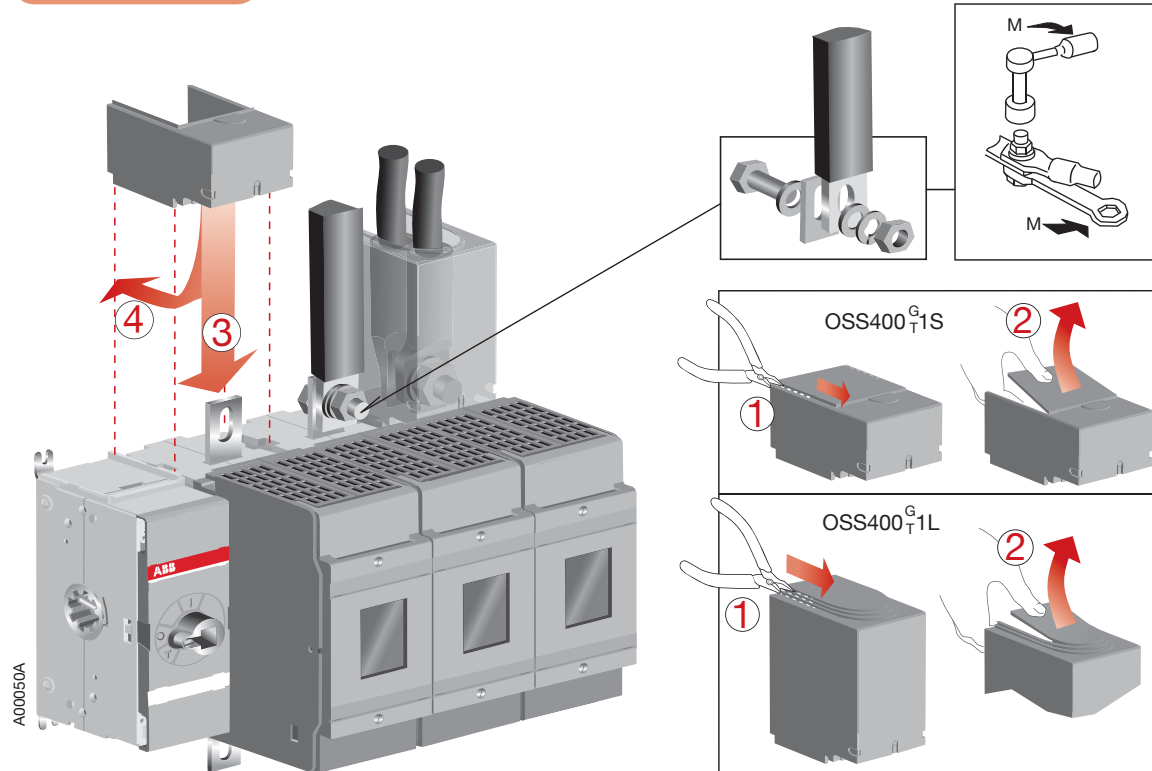


OS315-400...+OFS_



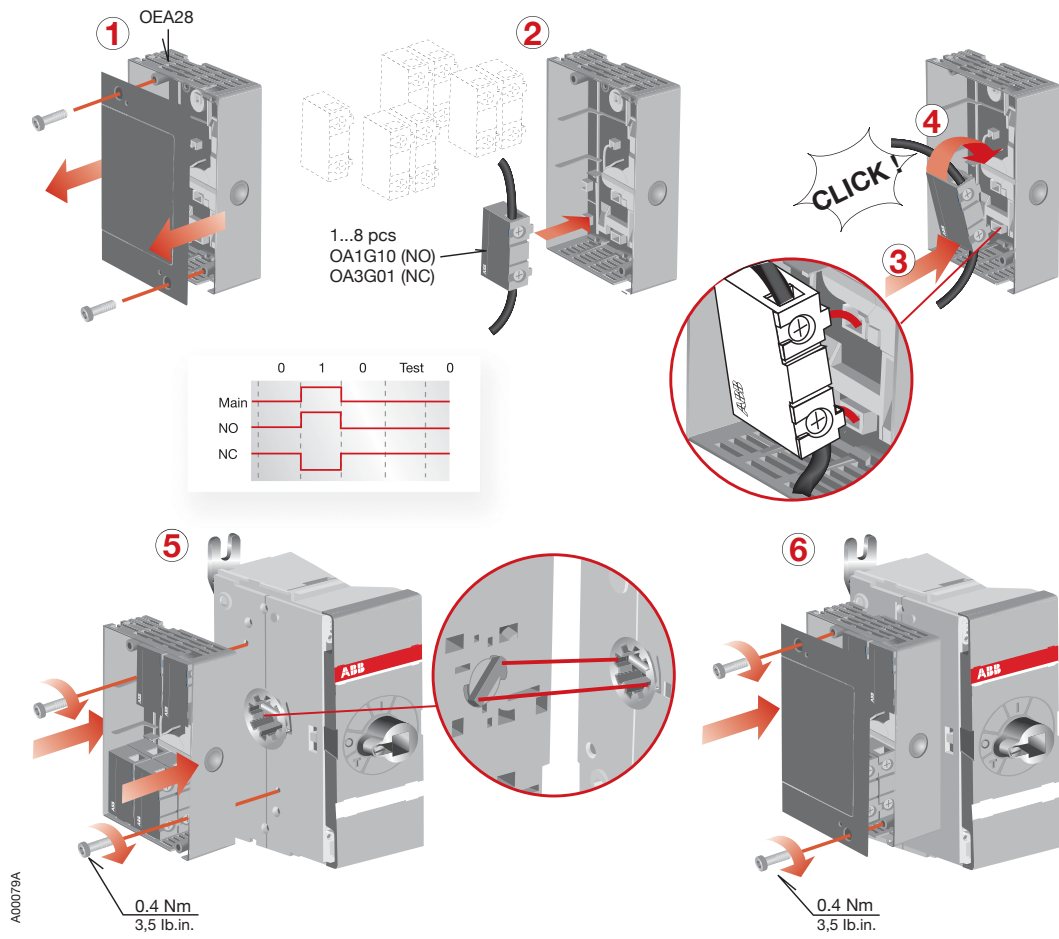
OSS_

M10 30...44Nm | 266-390 LB.IN.

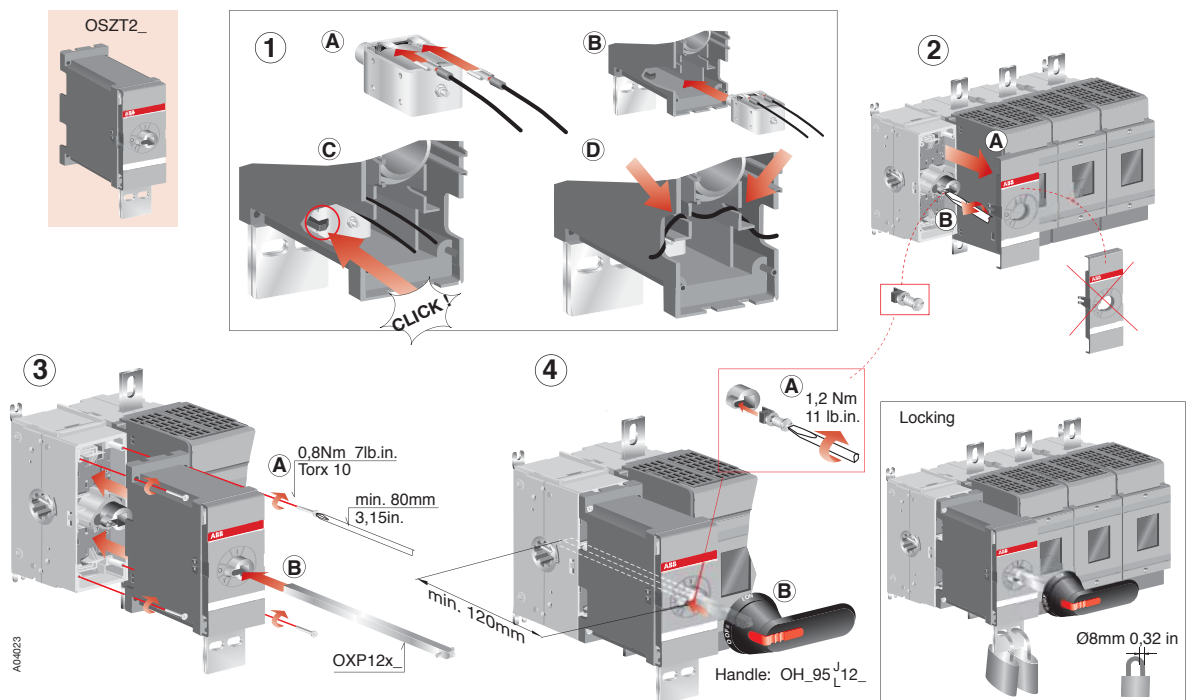


OS315-400

OEA28



OSZT2_

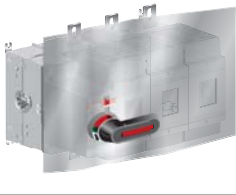


OS315-400

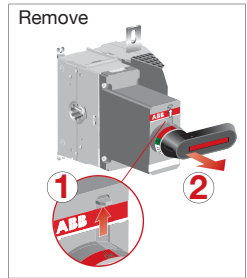
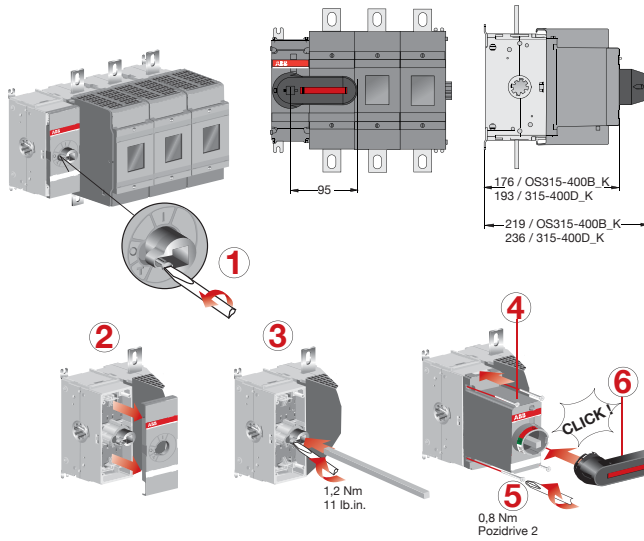
OSV_



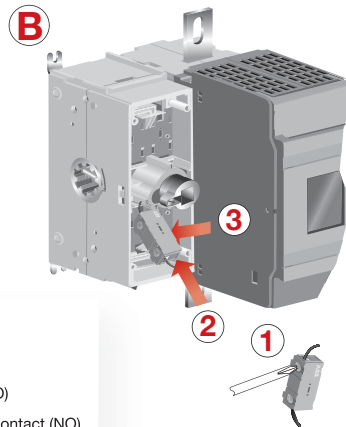
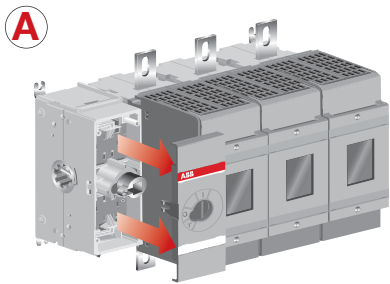
Note: Use protection against direct contact. For example:



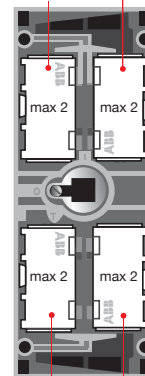
A00144A



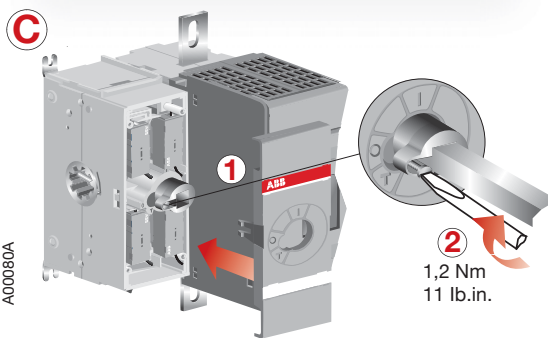
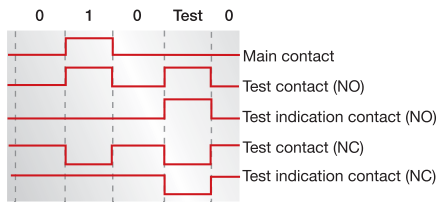
OA_



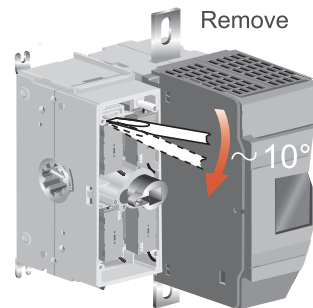
NO: OA1G10
NC: OA3G01
Test contact



Test indication contact



A00080A



24.04.2008