

27 816 625



- COMPACT RAIN, max. flow rate 6.8 l/min (at 3 bar)
- Function from: 5 l/min
- with anti-scale system
- inherently safe from back flow
- metal shower hose 1250mm with integrated anti-twist protection

technical data:

- rosette Ø 55 mm
- 3/8" shower outlet

Notes:

- This product can help a building meet the requirements of Green Building Rating Systems, e.g. LEED®, BREEAM®, DGNB

	Brushed Gold (PVD)	27 816 625-37 0010
	Chrome	27 816 625-00 0010
	Brushed Platinum	27 816 625-06 0010
	Dark Chrome	27 816 625-19 0010
	Light Gold (PVD)	27 816 625-26 0010
	Brushed Light Gold (PVD)	27 816 625-27 0010
	Brushed Durabronze (23kt Gold)	27 816 625-28 0010
	Matte Black	27 816 625-33 0010
	Brushed Dark Brass (PVD)	27 816 625-39 0010
	Brushed Bronze (PVD)	27 816 625-42 0010
	Brushed Dark Bronze (PVD)	27 816 625-43 0010
	Brushed Champagne (22kt Gold)	27 816 625-46 0010
	Champagne (22kt Gold)	27 816 625-47 0010
	Brushed Chrome	27 816 625-93 0010
	Brushed Dark Platinum	27 816 625-99 0010

Recommended miscellaneous



- Concealed wall elbow -**
 • min. recess depth 90 mm
 • max. recess depth 163 mm

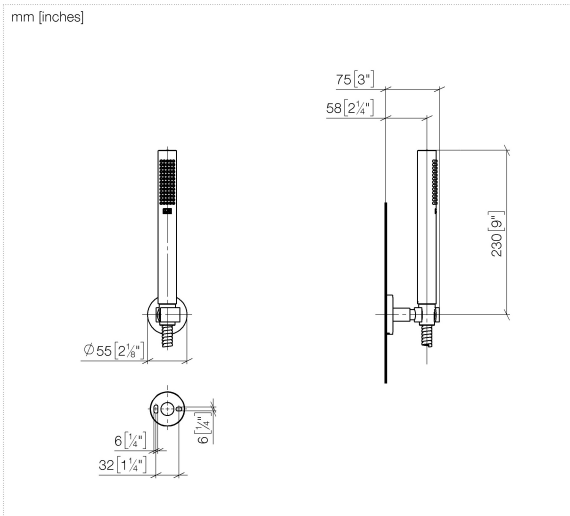
35 085 970 90

Recommended miscellaneous



- Wall elbow - Brushed Gold (PVD)** 28 450 625-37

27 816 625



Codes & Standards

ASME A112.18.1

cUPC

Certificates and sustainability

IAPMO_4976 (

27 816 625

