

Data Sheet | Item Number: 2092-1175/000-1000

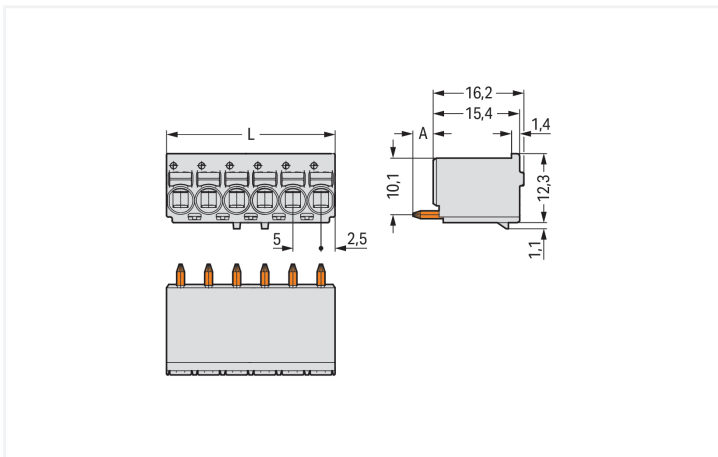
1-conductor THT female connector straight; push-button; Push-in CAGE CLAMP®; 2.5 mm²; Pin spacing 5 mm; 5-pole; 1.4 mm Ø solder pin; direct marking; 2,50 mm²; light gray

<https://www.wago.com/2092-1175/000-1000>



Color: ■ light gray

Similar to illustration



Dimensions in mm

L = pole no. x pin spacing
A = 3.6 mm THT solder pin
A = 2.4 mm THR solder pin

Female connector, 2092 Series, with 5 mm pin spacing

Our female connector (item number 2092-1175/000-1000) ensures effortless electrical installations. Ensure that the strip lengths are between 9 and 10 mm when connecting conductors to this female connector. This product incorporates one conductor terminal and utilizes Push-in CAGE CLAMP®. Push-in CAGE CLAMP® connection technology is ideal for connecting all conductor types. It allows direct insertion of both solid and fine-stranded conductors with ferrules without needing to use any tools—all thanks to its pluggable design. The item's dimensions are (25 x 16.2 x 13.4) mm (width x height x depth). This female connector is suitable for conductor cross sections ranging from 0.2 mm² to 2.5 mm².

Tin is used for coating the contact surfaces. The pcb connector is designed for THT soldering.

Notes

Safety Information

The **picoMAX® Pluggable Connection System** includes connectors without breaking capacity in accordance with DIN EN 61984. When used as intended, these connectors must not be connected/disconnected when live or under load. When used as intended, these connectors must not be connected/disconnected when live or under load. The circuit design should ensure header pins, which can be touched, are not live when un-mated.

Safety information 2

The use of ferrules is recommended for applications with higher requirements.

To prevent excessive force on the clamping point, effective cable strain relief must be used.

Electrical data

| Ratings per | IEC/EN 60664-1 | | | Approvals per | UL 1059 | | |
|---------------------------------|----------------|-------|-------|---------------|-----------|---|-------|
| | III | III | II | | Use group | B | C |
| Overvoltage category | III | III | II | Use group | B | C | D |
| Pollution degree | 3 | 2 | 2 | Rated voltage | 300 V | - | 300 V |
| Nominal voltage | 250 V | 320 V | 630 V | Rated current | 15 A | - | 10 A |
| Rated impulse withstand voltage | 4 kV | 4 kV | 4 kV | | | | |
| Rated current | 16 A | 16 A | 16 A | | | | |

Connection Data

| | | | |
|----------------------------|---|---|---|
| Clamping units | 5 | Connection 1 | |
| Total number of potentials | 5 | Connection technology | Push-in CAGE CLAMP® |
| Number of connection types | 1 | Actuation type | Push-button |
| Number of levels | 1 | Actuation direction 1 | Operation parallel to conductor entry |
| | | Solid conductor | 0.2 ... 2.5 mm ² / 24 ... 12 AWG |
| | | Fine-stranded conductor | 0.2 ... 2.5 mm ² / 24 ... 12 AWG |
| | | Fine-stranded conductor; with insulated ferrule | 0.25 ... 1.5 mm ² |
| | | Fine-stranded conductor; with uninsulated ferrule | 0.25 ... 2.5 mm ² |
| | | Strip length | 9 ... 10 mm / 0.35 ... 0.39 inches |
| | | Conductor connection direction to PCB | 90° |
| | | Pole number | 5 |

Physical data

| | |
|---------------------|--------------------------|
| Pin spacing | 5 mm / 0.197 inches |
| Width | 25 mm / 0.984 inches |
| Height | 16.2 mm / 0.638 inches |
| Depth | 13.4 mm / 0.528 inches |
| Solder pin length | 3.6 mm |
| Solder pin diameter | 1.4 mm |
| ! | 1.6 ^(+0.1) mm |

Mechanical data

| | |
|--------------------------|---------|
| Variable coding | No |
| Marking type | Numbers |
| Anti-rotation protection | Yes |

Plug-in connection

| | |
|--------------------------------------|-------------------------|
| Contact type (pluggable connector) | Female connector/socket |
| Connector (connection type) | for PCB |
| Mismating protection | No |
| Plugging without loss of pin spacing | Yes |
| Mating direction to the PCB | 90 ° |

PCB contact

| | |
|-------------|-----|
| PCB contact | THT |
|-------------|-----|

Material data

| | |
|------------------------------------|--|
| Note (material data) | Information on material specifications can be found here |
| Color | light gray |
| Material group | I |
| Insulation material (main housing) | Polyphthalamide (PPA GF) |
| Flammability class per UL94 | V0 |
| Clamping spring material | Chrome-nickel spring steel (CrNi) |
| Contact material | Electrolytic copper (E _{Cu}) |
| Contact Plating | Tin |
| Fire load | 0.098 MJ |
| Weight | 5.6 g |

Environmental requirements

| | |
|-------------------------|-----------------|
| Limit temperature range | -60 ... +100 °C |
| Processing temperature | -35 ... +60 °C |

Commercial data

| | |
|-----------------------|---------------|
| PU (SPU) | 200 pcs |
| Packaging type | Box |
| Country of origin | DE |
| GTIN | 4050821359715 |
| Customs tariff number | 85366990990 |

Product Classification

| | |
|-------------|----------------------|
| UNSPSC | 39121409 |
| eCl@ss 10.0 | 27-44-04-02 |
| eCl@ss 9.0 | 27-44-04-02 |
| ETIM 9.0 | EC002637 |
| ETIM 10.0 | EC002637 |
| ECCN | NO US CLASSIFICATION |

Environmental Product Compliance

| | |
|------------------------|-------------------------|
| RoHS Compliance Status | Compliant, No Exemption |
|------------------------|-------------------------|

Approvals / Certificates

General approvals



| Approval | Standard | Certificate Name |
|---|-----------|------------------|
| CB DEKRA Certification B.V. | IEC 61984 | NL-89885 |
| CSA CSA Group | C22.2 | 2362521 |
| cURus Underwriters Laboratories Inc. | UL 1059 | E45172 |
| KEMA/KEUR DEKRA Certification B.V. | EN 61984 | 71-129874 |
| UL Underwriters Laboratories Inc. | UL 1977 | E45171 |

Downloads

Environmental Product Compliance

| | |
|--|---|
| Compliance Search | |
| Environmental Product Compliance 2092-1175/000-1000 | ↓ |

Documentation

| | | | |
|-------------------------------|------------|-------------------|---|
| Additional Information | | | |
| Technical Section | 03.04.2019 | pdf 2027.26 KB | ↓ |

CAD/CAE-Data

| | |
|--|---|
| PCB Design | |
| Symbol and Footprint 2092-1175/000-1000 | ↓ |

1 Compatible Products

1.1 Optional Accessories

1.1.1 Ferrule

1.1.1.1 Ferrule



Item No.: 216-301

Ferrule; Sleeve for 0.25 mm² / AWG 24; insulated; electro-tin plated; yellow



Item No.: 216-131

Ferrule; Sleeve for 0.25 mm² / AWG 24; uninsulated; electro-tin plated; silver-colored



Item No.: 216-302

Ferrule; Sleeve for 0.34 mm² / 22 AWG; insulated; electro-tin plated; light turquoise



Item No.: 216-132

Ferrule; Sleeve for 0.34 mm² / AWG 24; uninsulated; electro-tin plated



Item No.: 216-101

Ferrule; Sleeve for 0.5 mm² / AWG 22; uninsulated; electro-tin plated; silver-colored



Item No.: 216-202

Ferrule; Sleeve for 0.75 mm² / 18 AWG; insulated; electro-tin plated; gray



Item No.: 216-102

Ferrule; Sleeve for 0.75 mm² / AWG 20; uninsulated; electro-tin plated; silver-colored



Item No.: 216-122

Ferrule; Sleeve for 0.75 mm² / AWG 20; uninsulated; electro-tin plated; silver-colored



Item No.: 216-203

Ferrule; Sleeve for 1 mm² / AWG 18; insulated; electro-tin plated; red



Item No.: 216-103

Ferrule; Sleeve for 1 mm² / AWG 18; uninsulated; electro-tin plated



Item No.: 216-143

Ferrule; Sleeve for 1 mm² / AWG 18; uninsulated; electro-tin plated; electrolytic copper; gastight crimped; acc. to DIN 46228, Part 1/08.92



Item No.: 216-204

Ferrule; Sleeve for 1.5 mm² / AWG 16; insulated; electro-tin plated; black



Item No.: 216-144

Ferrule; Sleeve for 1.5 mm² / AWG 16; uninsulated; electro-tin plated; electrolytic copper; gastight crimped; acc. to DIN 46228, Part 1/08.92; silver-colored



Item No.: 216-104

Ferrule; Sleeve for 1.5 mm² / AWG 16; uninsulated; electro-tin plated; silver-colored



Item No.: 216-106

Ferrule; Sleeve for 2.5 mm² / AWG 14; uninsulated; electro-tin plated; silver-colored

1.1.2 Test and measurement

1.1.2.1 Testing accessories



Item No.: 735-500

WAGO Test pin; 1 mm Ø; 30 V AC / 60 V DC; CAT0; 1 A; 6 mm uninsulated; Test lead for soldering up to 0,5mm²

1.1.3 Tool

1.1.3.1 Operating tool



Item No.: 210-719

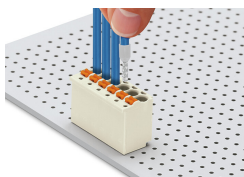
Operating tool; Blade: 2.5 x 0.4 mm; with a partially insulated shaft

Installation Notes

Conductor termination



Terminating fine-stranded conductors and removing all conductor types via push-buttons.



Solid and ferruled conductors are terminated by simply pushing them into unit.

Marking



Pole marking via direct marking perpendicular to conductor entry.



Pole marking via factory direct marking.

Testing



Testing via 1 mm Ø test pin – touch contact.