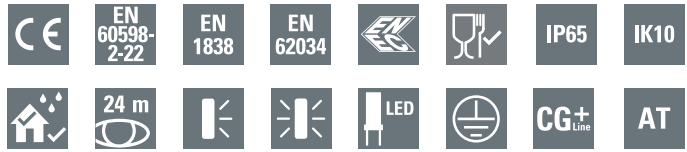


7.4.1

Safety & exit signs - High protection

Atlantic LED

Emergency lighting



- For indoor and outdoor use
- Robust construction from Aluminium diecast and high impact resistant cover made of polycarbonate
- Optional with self-regulating battery heater for use at low temperature down to -20°C



7

Light Source:

2 x 1.6W LED

Materials:

Aluminium die-cast housing
White polycarbonate reflector
Clear polycarbonate diffuser

Operation:

For maintained and non-maintained operations
CGLine+ (Without bus working in AT mode)
For 1h, 3h or 8h operation

Installation:

Wall and ceiling installations

Applications:

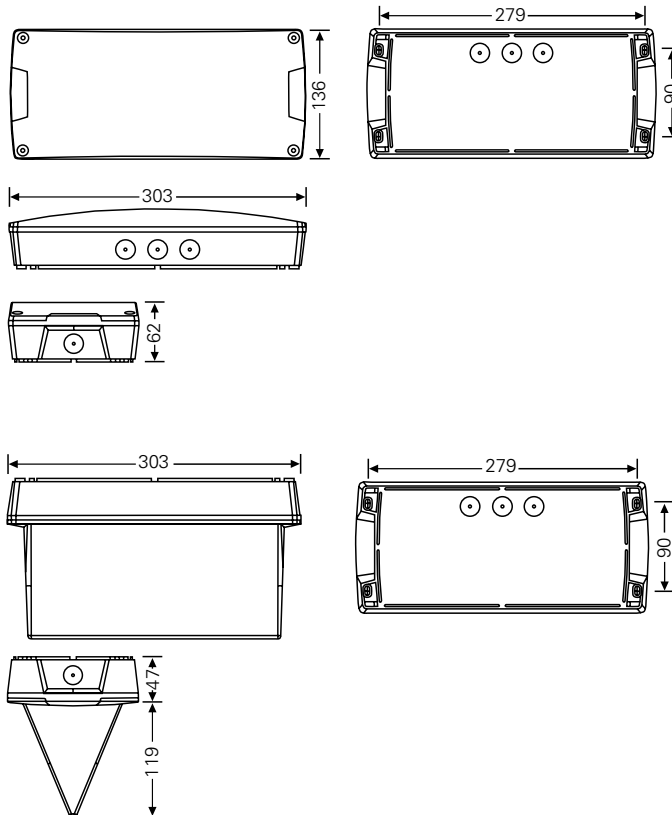
Factories, warehouses, underground car parks, workshops, tunnel
Escape routes, corridors

The Atlantic LED CGLine+ luminaire series fulfills protection rating IP65, and with UV-resistant materials and an especially tough construction, it is ideal for use in outdoor areas or in industrial applications.

Atlantic LED R and Atlantic LED O are also suitable for use in food processing industry in accordance with standards IFS and HACCP.

The range includes safety luminaires with different optics for Escape route or antipanic illumination and single sided or double sided exit signs. Optimal perceptibility of the exit signs due to high luminance of the white contrasting colour (>500 cd/m²).

Drawings for Atlantic LED R, O and S

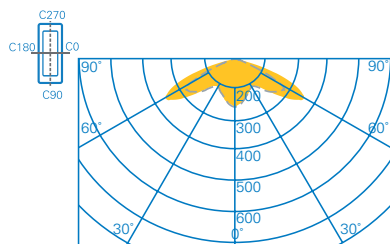


Atlantic LED S - Single sided exit sign



Atlantic LED D - Double sided exit sign

Emergency lighting

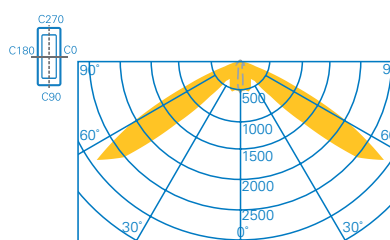


Atlantic O CGLine+ with symmetric optics

Planning help for Atlantic LED O – symmetric optics for E = 1.0 lx

Measurement level: 0.02 m, maintenance factor MF = 80 %, battery operation

Duration of emergency operation	Mounting height in metres	Mounting types	Mounting types				Mounting types				
			L1	L2	L3	L4	L1	L2	L3	L4	
1 h	2.5	Ceiling mounting	4.5	10.7	3.8	8.9	Ceiling mounting	3.9	9.6	2.9	7.2
	3.0	Escape route centre	4.7	11.7	4.1	9.9	Room illumination	3.4	10.6	3.1	8.1
	3.5		4.9	12.5	4.1	10.8		3.4	11.6	3.1	8.8
	4.0		4.3	13.2	4.1	11.4		3.4	12.5	2.8	9.4
	5.0		1.9	13.1	1.9	10.4		1.9	12.1	0.8	11.1
3 h	2.5	Ceiling mounting	3.8	9.6	3.3	8.1	Ceiling mounting	3.4	8.9	2.4	6.5
	3.0	Escape route centre	3.8	10.4	3.3	8.9	Room illumination	3.4	9.7	2.5	7.3
	3.5		1.9	10.8	1.9	9.4		2.0	10.5	2.0	7.9
	4.0		1.6	10.6	1.5	8.4		1.4	9.7	0.9	9.0
	4.5		1.2	10.0	1.2	7.6		1.0	9.4	0.6	8.8



Atlantic R CGLine+ with asymmetric optics

Planning help for Atlantic LED R – asymmetric optics for E = 1.0 lx

Measurement plane: 0.02 m, maintenance factor MF = 80 %, battery operation

Duration of emergency operation	Mounting height in metres	Mounting types	Mounting types			
			L1	L2	L3	L4
1 h	2.5	Ceiling mounting	6.0	13.0	2.0	6.1
	3.0	Escape route, centre	6.8	15.0	1.7	6.1
	3.5		7.5	16.8	1.4	5.6
	4.0		8.3	18.5	1.2	5.0
	5.0		9.6	21.5	1.1	3.9
	6.0		10.8	24.4	1.0	3.3
	7.0		3.5	21.9	1.0	3.3
	8.0		3.3	22.0	0.9	3.1
3 h	2.5	Ceiling mounting	5.6	12.4	1.3	4.9
	3.0	Escape route, centre	6.3	14.2	1.0	4.2
	3.5		7.1	15.8	0.9	3.7
	4.0		7.7	17.2	0.9	3.2
	5.0		8.9	20.1	0.8	2.6
	6.0		2.7	17.6	0.8	2.6
	7.0		2.4	18.3	0.6	2.4

Order code	Description	⚡	🕒	🔋	⚙️
40071354870	Exit sign luminaire Atlantic LED S, single sided, CGLine+	7.2 VA / 7.0 W	1 - 3 - 8h	Li-Ion 3.7V / 4Ah	Maintained / Non-Maintained
40071354871	Exit sign luminaire Atlantic LED S, double sided, CGLine+	7.2 VA / 7.0 W	1 - 3 - 8h	Li-Ion 3.7V / 4Ah	Maintained / Non-Maintained
40071354872	Safety luminaire Atlantic LED R CGLine+, with asymmetric optics	7.2 VA / 7.0 W	1 - 3 - 8h	Li-Ion 3.7V / 4Ah	Maintained / Non-Maintained
40071354873	Safety luminaire Atlantic LED O CGLine+, with symmetric optics	7.2 VA / 7.0 W	1 - 3 - 8h	Li-Ion 3.7V / 4Ah	Maintained / Non-Maintained
40071354875	Exit sign luminaire Atlantic LED S, single sided, CGLine+ H, with battery heater for low ambient temperature down to -20°C	9.2 VA / 9.3 W	1 - 3 - 8h	Li-Ion 3.7V / 4Ah	Maintained / Non-Maintained
40071354876	Exit sign luminaire Atlantic LED S, single sided, CGLine+ H, with battery heater for low ambient temperature down to -20°C	9.2 VA / 9.3 W	1 - 3 - 8h	Li-Ion 3.7V / 4Ah	Maintained / Non-Maintained
40071354877	Safety luminaire Atlantic LED R CGLine+ H, with asymmetric optics, with battery heater for low ambient temperature down to -20°C	9.2 VA / 9.3 W	1 - 3 - 8h	Li-Ion 3.7V / 4Ah	Maintained / Non-Maintained
40071354878	Safety luminaire Atlantic LED O CGLine+ H, with symmetric optics, with battery heater for low ambient temperature down to -20°C	9.2 VA / 9.3 W	1 - 3 - 8h	Li-Ion 3.7V / 4Ah	Maintained / Non-Maintained

2 x cable glands 20mm included

Accessories

Pictograms for Atlantic LED S

155-000-011	Pictogram RIGHT		155-000-013	Pictogram DOWN	
155-000-012	Pictogram LEFT				

Pictograms for Atlantic LED D (2 x required)

155-000-211	Pictogram RIGHT, ISO		155-000-213	Pictogram DOWN, ISO	
155-000-212	Pictogram LEFT, ISO		155-000-209	Pictogram BLIND	