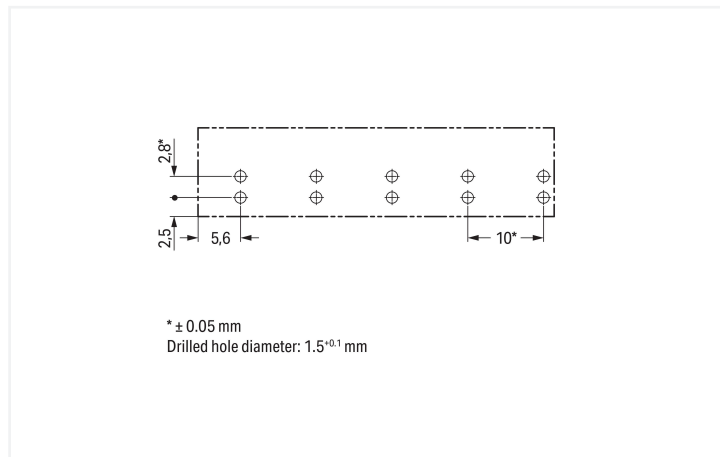


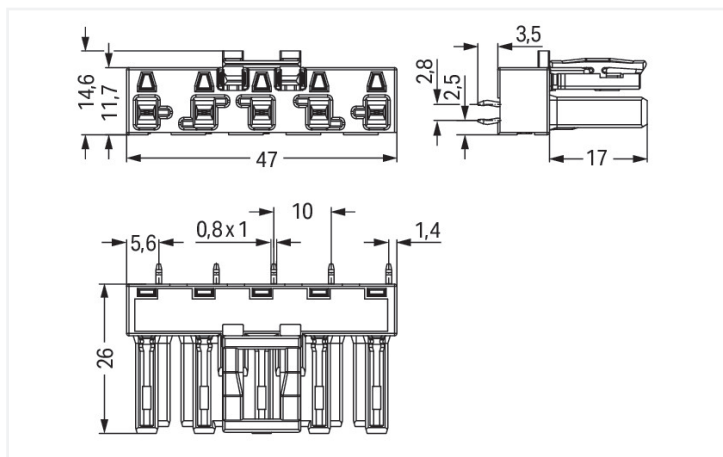
Data Sheet | Item Number: 770-805
Socket for PCBs; straight; 5-pole; Cod. A; black

<https://www.wago.com/770-805>



Color: ■ black

Dimensions in mm



Dimensions in mm

Female connector/socket WINSTA® MIDI rated current 25 A

The WINSTA® MIDI female connector/socket 5-pole saves money and space thanks to its compact dimensions. Our immense number of pluggable PCB connectors with different insertion directions and operating variants offers you the perfect solution for your application at all times. The coding options reduce installation errors, allowing fast, maintenance-free wiring of all components. Standard mains applications for almost any domain of use can be implemented with WINSTA® MIDI pcb connectors with A coding. Important parameters in the selection of a pcb connectors are the rated current and voltage: They provide information about possible domains of use and applications. This product has a current rating of 25 A – therefore it is also suitable for powerful loads. The WINSTA® MIDI Pluggable Connection System with Push-in CAGE CLAMP® spring pressure connection technology facilitates precise electrification. Due to the integrated test slot, it is possible to check connections even when they are plugged in. This saves time, labor, and money.

WINSTA® MIDI solutions for your electrical installation – protected against mismatching and maintenance-free

The WINSTA® Pluggable Connection System is perfectly tailored to the very strict requirements of building installation. It makes electrical installation pluggable, and therefore more efficient, more reliable, and error-free. Use of this pre-assembled system reduces time spent on assembly and installation errors at the construction site. Choose durability and quality – with locking lever from WAGO makes the installation of electrical components substantially easier.

- effective protection against mismatching
- simple circuits
- suitable for any application
- convenient installation and commissioning

Electrical data

Ratings per	IEC/EN 60664-1			Approvals per	UL 1977
Overvoltage category	III	III	II	Rated voltage	600 V
Pollution degree	3	2	2	Rated current	23 A
Nominal voltage	400 V	-	-		
Rated impulse withstand voltage	6 kV	-	-		
Rated current	25 A	-	-		

General information

Note on contact resistance	approx. 1 mΩ of contact resistance approx. 0.25 mΩ contact transition plug/ socket
----------------------------	--

Connection Data

Total number of potentials	5	Connection 1
		Pole number
		5

Physical data

Pin spacing	10 mm / 0.394 inches
Width	47 mm / 1.85 inches
Height	29.5 mm / 1.161 inches
Height from the surface	26 mm / 1.024 inches
Depth	14.6 mm / 0.575 inches
Solder pin length	3.5 mm
Solder pin dimensions	1 x 0.8 mm
Drilled hole diameter with tolerance	1.5 ^(-0.1 ... +0.1) mm

Mechanical data

Use	General mains applications
Coding	A
Variable coding	Yes
Marking	N ⊕ L1 L2 L3
Potential marking	N ⊕ L1 L2 L3
Mating force of a plug-in connection	approx. 20 ... 70 N (depending on pole number)
Retention force of a plug-in connection	Locked: > 80 N
Unmating force of a plug-in connection	Unlocked: approx. 20 ... 70 N (depending on pole number)
Number of mating cycles	200, without resistive load
Design	straight

Plug-in connection

Contact type (pluggable connector)	Female connector/socket
Connector (connection type)	for PCB
Mismating protection	Yes
Note on mismating protection	All <i>WINSTA</i> ® components are 100% protected against mismating when: a.) plugging different numbers of poles b.) plugging while rotated 180 c.) plugging while laterally staggered d.) plugging one pole
Mating direction to the PCB	90 °
Locking lever	Yes
Locking of plug-in connection	Locking lever

Plug-in connection

Note on locking system

All connectors for mounted installations (snap-in versions for lighting fixtures or devices, all types of PCB and distribution connectors) are factory-equipped with locking levers to ensure plugs and sockets are securely locked. Additional locking levers are only required for flying leads (plug/socket).

PCB contact

PCB contact	THT
Solder pin arrangement	2 in-line solder pins/pole
Number of solder pins per potential	2

Material data

Note (material data)	Information on material specifications can be found here
Color	black
Insulation material (main housing)	Polyamide (PA66)
Flammability class per UL94	V0
Clamping spring material	Chrome-nickel spring steel (CrNi)
Contact material	Copper or copper alloy; surface-treated
Contact Plating	Tin
Fire load	0.195 MJ
Weight	10.4 g

Environmental requirements

Processing temperature	-5 ... +40 °C
Continuous operating temperature	-35 ... +85 °C
Note on continuous operating temperature	Insulating parts for temperatures ≤ 105 °C

Commercial data



PU (SPU)	50 pcs
Packaging type	Box
Country of origin	PL
GTIN	4044918684668
Customs tariff number	85366990990

Product Classification




UNSPSC	39121409
eCl@ss 10.0	27-44-06-05
eCl@ss 9.0	27-44-06-05
ETIM 9.0	EC002637
ETIM 10.0	EC002637
ECCN	NO US CLASSIFICATION

Environmental Product Compliance	
RoHS Compliance Status	Compliant, No Exemption

Approvals / Certificates

General approvals			Declarations of conformity and manufacturer's declarations		
 					
Approval	Standard	Certificate Name	Approval	Standard	Certificate Name
CCA DEKRA Certification B.V.	EN 61535	71-123228	EU-Declaration of Confor- mity WAGO GmbH & Co. KG	-	-
CCA DEKRA Certification B.V.	IEC 61535	NL -84761			
cURus Underwriters Laboratories Inc.	UL 1977	E45171			

Approvals for marine applications

  		
Approval	Standard	Certificate Name
ABS American Bureau of Ship- ping	-	24-0095977-PDA
DNV GL Det Norske Veritas, Ger- manischer Lloyd	-	TAE00001Z6
LR Lloyds Register	IEC 61984	LR22429487TA

Downloads

Environmental Product Compliance	
Compliance Search	
Environmental Product Compliance 770-805	↓

CAD/CAE-Data

CAD data		CAE data	
2D/3D Models 770-805	↓	EPLAN Data Portal 770-805	↓
		ZUKEN Portal 770-805	↓

1 Compatible Products

1.1 System counterpart

1.1.1 Cable assembly



Item No.: 771-9995/206-101

pre-assembled connecting cable; Eca;
Plug/open-ended; 5-pole; Cod. A; H05VV-
F 5G 1.5 mm²; 1 m; 1,50 mm²; black



Item No.: 771-9995/006-101

pre-assembled interconnecting cable;
Eca; Socket/plug; 5-pole; Cod. A; H05VV-
F 5G 1.5 mm²; 1 m; 1,50 mm²; black

1.1.2 Male connector/plug



Item No.: 770-215

Plug; 5-pole; Cod. A; 4,00 mm²; black



Item No.: 770-415

Plug; 5-pole; Cod. A; 4,00 mm²; black



Item No.: 770-115

Plug; with strain relief housing; 5-pole;
Cod. A; 4,00 mm²; black



Item No.: 770-315

Plug; with strain relief housing; 5-pole;
Cod. A; 4,00 mm²; black

1.2 Required Accessories

1.2.1 Cover

1.2.1.1 Cover



Item No.: 770-201

Lockout cap; 12-pole, separable; for
sockets; Plastic; black



Item No.: 770-221

Lockout cap; 12-pole, separable; for
sockets; Plastic; white