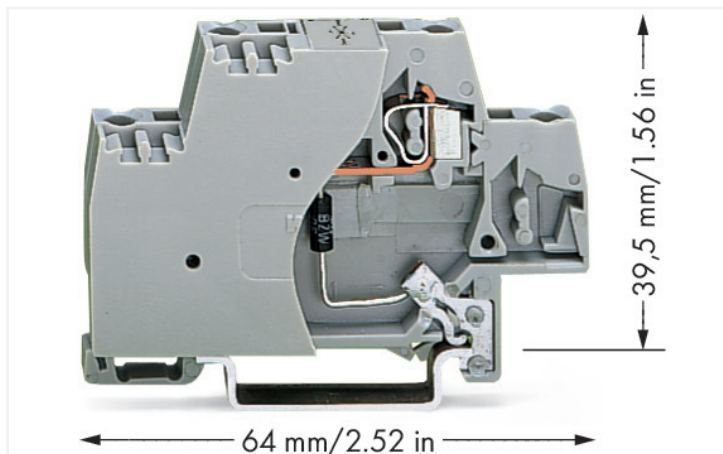


Data Sheet | Item Number: 280-502/281-589

Component terminal block; double-deck; with end plate and direct connection to DIN-rail; with 1.5KE33C TVS diode; 24 VDC; for DIN-rail 35 x 15 and 35 x 7.5; 2.5 mm²; CAGE CLAMP®; gray

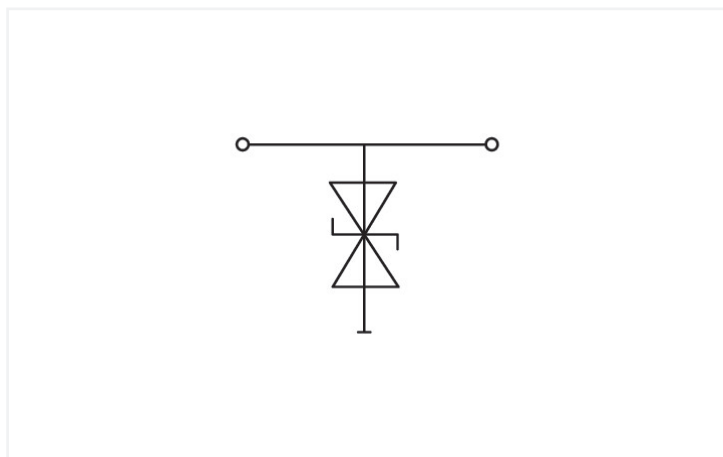
<https://www.wago.com/280-502/281-589>



Color: ■ gray

Similar to illustration

Similar to illustration



Short description:

This component terminal block with surge suppression device, end plate and direct connection to the DIN-35 rail is equipped with a TVS diode.

Features:

- Protect your system against overvoltage
- Slim, space-saving design
- Control operational costs by preventing expensive, unplanned downtime
- High operational reliability and system uptime

Notes

Safety Information	<ul style="list-style-type: none"> - Installation must be performed by qualified personnel only. - The DIN-rail must be grounded. - The input current must be protected by a suitable fuse. - Protection against contact with stored charges must be ensured. - Do not insert or remove pluggable modules when energized. - The IP20 protection rating must be maintained in the assembled state or when using an end/intermediate plate compatible with the rail-mount terminal block.
--------------------	---

Electrical data

Nominal operating voltage	24 VDC
Maximum continuous voltage	28 VDC
Rated continuous current	20 A
Nominal discharge current (8/20 μ s) (line)	169 A
Protection level (8/20 μ s)	\leq 59 VDC
Capacitance	\leq 2.7 nF

Connection Data

Connections (number)	2
Connection technology	CAGE CLAMP®
Solid conductor	0.08 ... 2.5 mm ² / 28 ... 14 AWG
Fine-stranded conductor	0.08 ... 2.5 mm ² / 28 ... 14 AWG
Strip length	8 ... 9 mm / 0.31 ... 0.35 inches

Physical data

Width	10 mm / 0.394 inches
Height	64 mm / 2.52 inches
Depth from upper-edge of DIN-rail	39.5 mm / 1.555 inches

Mechanical data

Design	with end plate; with direct connection to DIN-rail
Mounting type	DIN-35 rail

Material data

Color	gray
Insulation material (main housing)	Polyamide (PA66)
Material group	I
Flammability class per UL94	V0
Fire load	0.281 MJ
Weight	11.9 g

Environmental requirements

Processing temperature	-35 ... +85 °C
------------------------	----------------

Commercial data

Product Group	1 (Rail Mounted Terminal Blocks)
PU (SPU)	50 (1) pcs
Packaging type	Box
Country of origin	DE
GTIN	4045454362676
Customs tariff number	85369010000

Product Classification

UNSPSC	39121410
eCl@ss 10.0	27-14-11-27
eCl@ss 9.0	27-14-11-27
ETIM 9.0	EC000903
ETIM 10.0	EC000903
ECCN	NO US CLASSIFICATION

Environmental Product Compliance

CAS-No.	7439-92-1
REACH Candidate List Substance	Lead
RoHS Compliance Status	Compliant, No Exemption
SCIP notification number (Austria)	6cb48e17-acff-4296-ba6f-e1c629ac4f11
SCIP notification number (Belgium)	aeab281a-f52b-4c6c-bc54-a6ccfa868ee0
SCIP notification number (Bulgaria)	c0584125-051b-4f60-b03d-70f1caa423ed
SCIP notification number (Czech Republic)	b5ecdb6e-4c85-4e5f-a395-19cdcd3616d4
SCIP notification number (Finland)	a77c311b-d955-4ab7-8145-1f0dca77196a
SCIP notification number (France)	ca04664c-a735-4fae-85ea-7a2a38ef94d6
SCIP notification number (Germany)	27774a77-7174-484b-adf6-ff61338dd954
SCIP notification number (Hungary)	e0267288-5ca7-4077-a430-56bee7e7d942
SCIP notification number (Italy)	caae17b-ac17-48c0-926f-379025d08f80
SCIP notification number (Netherlands)	54856927-5da3-4b36-9e4c-c7178004f03b
SCIP notification number (Poland)	483d613f-6e73-4bb8-8c48-ee7f3e708fa4
SCIP notification number (Romania)	a62e63cb-ef20-4113-ab8c-383a5335e46c
SCIP notification number (Sweden)	17a350a5-4a00-46b7-bd0d-39dc62705ea5

Downloads

Environmental Product Compliance

Compliance Search

Environmental Product
Compliance
280-502/281-589



Documentation

Bid Text

280-502/281-589	19.02.2019	xml 3.31 KB	
280-502/281-589	11.02.2015	doc 25.50 KB	

CAD/CAE-Data

CAD data

2D/3D Models
280-502/281-589

CAE data

EPLAN Data Portal
280-502/281-589

WSCAD Universe
280-502/281-589

ZUKEN Portal
280-502/281-589

1 Compatible Products

1.1 Optional Accessories

1.1.1 Insulation stop

1.1.1.1 Insulation stop



Item No.: 280-470

Insulation stop; 0.08 - 0.2 mm² "s" (0.14 mm² "f-st"); 5 pieces/strip; white



Item No.: 280-471

Insulation stop; 0.25 - 0.5 mm²; 5 pieces/strip; light gray



Item No.: 280-472

Insulation stop; 0.75 - 1 mm²; 5 pieces/strip; black

1.1.2 Jumper

1.1.2.1 Jumper



Item No.: 280-492

Jumper; 2-way; insulated; gray

1.1.3 Marking

1.1.3.1 Marker



Item No.: 2009-145

Mini-WSB Inline; for Smart Printer; 1700 pieces on roll; stretchable 5 - 5.2 mm; plain; snap-on type; white



Item No.: 248-501

Mini-WSB marking card; as card; not stretchable; plain; snap-on type; white

1.1.4 Tool

1.1.4.1 Operating tool



Item No.: 210-720

Operating tool; Blade: 3.5 x 0.5 mm; with a partially insulated shaft; multicoloured