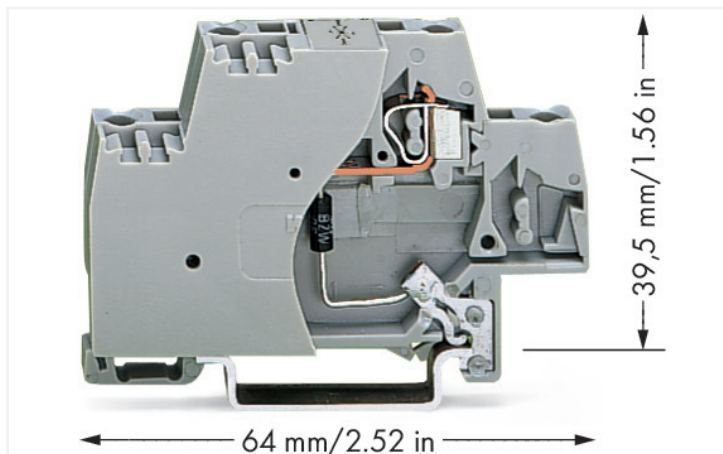


Data Sheet | Item Number: 280-502/281-591

Component terminal block; double-deck; with end plate and direct connection to DIN-rail; with 1.5KE82C TVS diode; 60 VDC; for DIN-rail 35 x 15 and 35 x 7.5; 2.5 mm²; CAGE CLAMP®; gray

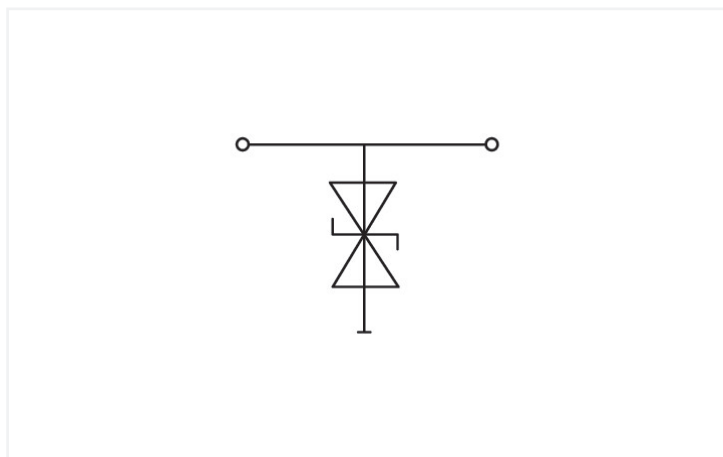
<https://www.wago.com/280-502/281-591>



Color: ■ gray

Similar to illustration

Similar to illustration



Short description:

This component terminal block with surge suppression device, end plate and direct connection to the DIN-35 rail is equipped with a TVS diode.

Features:

- Protect your system against overvoltage
- Slim, space-saving design
- Control operational costs by preventing expensive, unplanned downtime
- High operational reliability and system uptime

Notes

Safety Information	<ul style="list-style-type: none"> - Installation must be performed by qualified personnel only. - The DIN-rail must be grounded. - The input current must be protected by a suitable fuse. - Protection against contact with stored charges must be ensured. - Do not insert or remove pluggable modules when energized. - The IP20 protection rating must be maintained in the assembled state or when using an end/intermediate plate compatible with the rail-mount terminal block.
--------------------	---

Electrical data

Nominal operating voltage	60 VDC
Maximum continuous voltage	70 VDC
Rated continuous current	20 A
Nominal discharge current (8/20 μ s) (line)	69 A
Protection level (8/20 μ s)	\leq 146 VDC
Capacitance	\leq 1.35 nF

Connection Data

Connections (number)	2
Connection technology	CAGE CLAMP®
Solid conductor	0.08 ... 2.5 mm ² / 28 ... 14 AWG
Fine-stranded conductor	0.08 ... 2.5 mm ² / 28 ... 14 AWG
Strip length	8 ... 9 mm / 0.31 ... 0.35 inches

Physical data

Width	10 mm / 0.394 inches
Height	64 mm / 2.52 inches
Depth from upper-edge of DIN-rail	39.5 mm / 1.555 inches

Mechanical data

Design	with end plate; with direct connection to DIN-rail
Mounting type	DIN-35 rail

Material data

Color	gray
Insulation material (main housing)	Polyamide (PA66)
Material group	I
Flammability class per UL94	V0
Fire load	0.273 MJ
Weight	12.1 g

Environmental requirements

Processing temperature	-35 ... +85 °C
------------------------	----------------

Commercial data

Product Group	1 (Rail Mounted Terminal Blocks)
PU (SPU)	50 (1) pcs
Packaging type	Box
Country of origin	DE
GTIN	4017332262781
Customs tariff number	85369010000

Product Classification

UNSPSC	39121410
eCl@ss 10.0	27-14-11-27
eCl@ss 9.0	27-14-11-27
ETIM 9.0	EC000903
ETIM 10.0	EC000903
ECCN	NO US CLASSIFICATION

Environmental Product Compliance

CAS-No.	7439-92-1
REACH Candidate List Substance	Lead
RoHS Compliance Status	Compliant, No Exemption
SCIP notification number (Austria)	f518ade1-f57e-4444-91be-133ff39bd7fb
SCIP notification number (Belgium)	6d11cf71-62ce-45a2-b219-a5d63bdbb39
SCIP notification number (Bulgaria)	6e475e5c-04a0-44a0-964c-0aee70a9faf6
SCIP notification number (Czech Republic)	55243a7a-60c1-4961-9215-1300c248e246
SCIP notification number (Denmark)	b3066c7c-db3a-492e-858d-766dbd3606e8
SCIP notification number (Finland)	488e1af3-58a1-4647-bcec-e94ffc556c86
SCIP notification number (France)	5f33d6c4-9ce3-442a-a230-7299f6f48859
SCIP notification number (Germany)	79f87d27-d51a-4078-9f43-e6a03ac5df04
SCIP notification number (Hungary)	dc69954e-57f5-4bb7-b3f3-3ebd0a781bcd
SCIP notification number (Italy)	dedc2316-4e16-4d0c-85f7-f5bc166702a6
SCIP notification number (Netherlands)	80e78cd0-33de-409f-b110-c3bdba64d4a5
SCIP notification number (Poland)	e8252394-3193-4e4d-be97-893ab5ac9426
SCIP notification number (Romania)	e5718321-4caa-45e0-9e52-2ca69c3c5b27
SCIP notification number (Sweden)	df6d3ce7-73c6-4d30-b204-52d1d05749d9

Downloads

Environmental Product Compliance

Compliance Search

Environmental Product
Compliance
280-502/281-591



Documentation

Bid Text

280-502/281-591	19.02.2019	xml 3.31 KB	↓
280-502/281-591	11.02.2015	doc 25.00 KB	↓

CAD/CAE-Data

CAD data

2D/3D Models 280-502/281-591	↓
---------------------------------	-------------------

CAE data

EPLAN Data Portal 280-502/281-591	↓
WSCAD Universe 280-502/281-591	↓
ZUKEN Portal 280-502/281-591	↓

1 Compatible Products

1.1 Optional Accessories

1.1.1 Insulation stop

1.1.1.1 Insulation stop



Item No.: 280-470

Insulation stop; 0.08 - 0.2 mm² "s" (0.14 mm² "f-st"); 5 pieces/strip; white



Item No.: 280-471

Insulation stop; 0.25 - 0.5 mm²; 5 pieces/strip; light gray



Item No.: 280-472

Insulation stop; 0.75 - 1 mm²; 5 pieces/strip; black

1.1.2 Jumper

1.1.2.1 Jumper



Item No.: 280-492

Jumper; 2-way; insulated; gray

1.1.3 Marking

1.1.3.1 Marker



Item No.: 2009-145

Mini-WSB Inline; for Smart Printer; 1700 pieces on roll; stretchable 5 - 5.2 mm; plain; snap-on type; white



Item No.: 248-501

Mini-WSB marking card; as card; not stretchable; plain; snap-on type; white

1.1.4 Tool

1.1.4.1 Operating tool



Item No.: 210-720

Operating tool; Blade: 3.5 x 0.5 mm; with a partially insulated shaft; multicoloured