

Product: SpiroVent Superior
 Customer:
 Project:
 Reference:

Article Number: MA10R50
 UK name: SV4-10R
 Date: 10/11/2023

Design criteria

Medium: Water / glycol (max 40%)
 Max system volume: 300 m³
 Min. Pressure: 5 bar-g
 Max. pressure: 10 bar-g
 Min. Temperature: 0 °C
 Max. temperature: 90 °C
 Ambient temperature: 0-40 °C
 Refill fluid temperature: 0-70 °C
 Main pump: Vertical multistage

Connections (flexible)

Inlet / outlet: G3/4"
 Refill: G3/4"

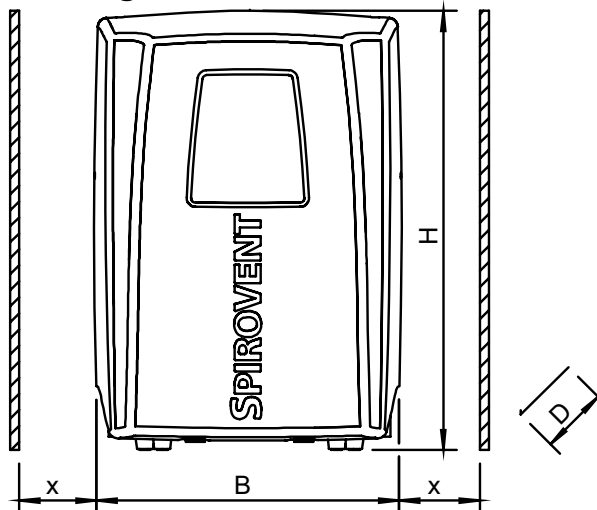
Testing and quality assurance

Running test: yes
 Test medium: Water
 High voltage test: yes
 Test certificate: no
 CE-marking: yes
 Material certificates (structural parts): no

Construction materials

Vessel: S235 (St. 37)
 Fittings / pipes: Copper / Bronze / Brass
 Pump: AISI316
 Deaeration cap: Brass
 Valve sealing: Viton
 Float: PP
 Casing: Synthetic (PS)
 Color: Yellow (RAL 1003)

Drawing



Dimensions

H: 1272 mm
 B: 744 mm
 D: 400 mm
 x: >600 mm
 Dry weight (approx): 79 kg

Power supply

Voltage: 400V / 50Hz
 Power consumption: 1.15 kW
 Protection level: IPX4D

B.M.S. Contacts

Release / off: 24 VAC
 Ready & failure: Voltage free
 Refill: 24 VAC
 Remote refill: 5 VDC

Subject to changes