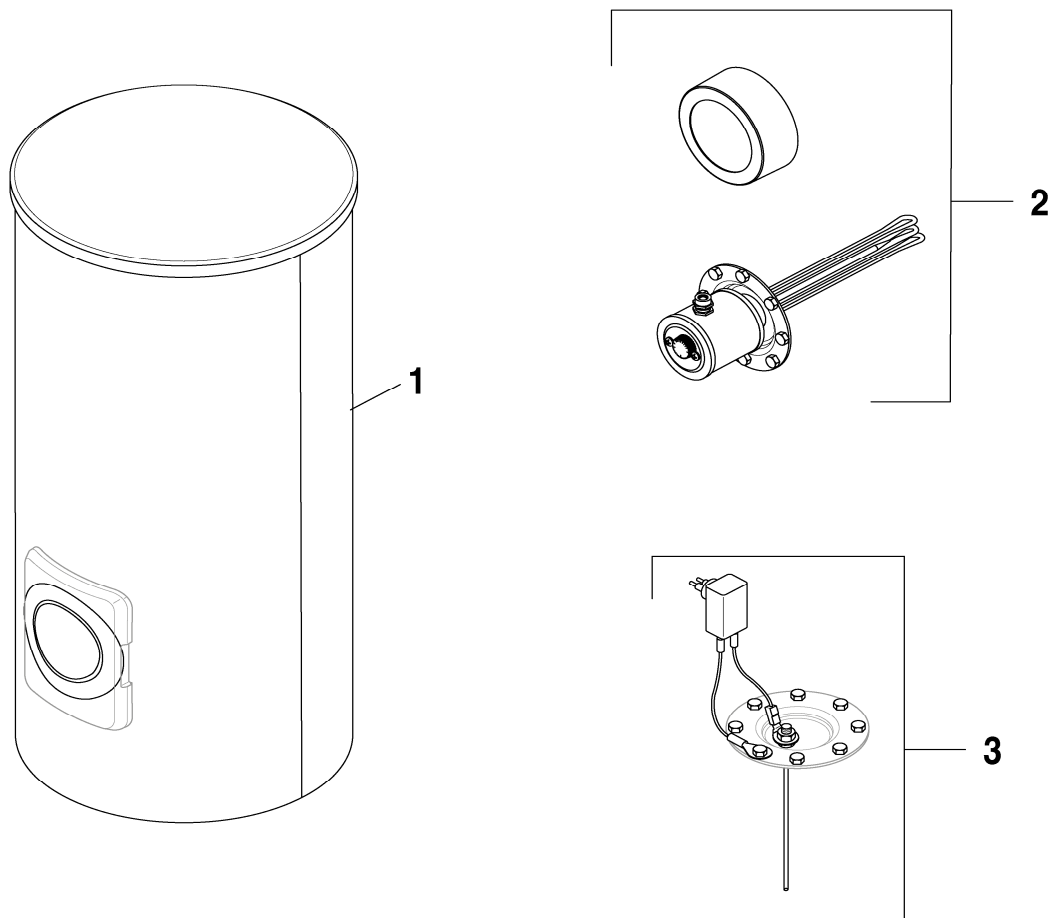


W 500-5 X









8738893332.aa.RO

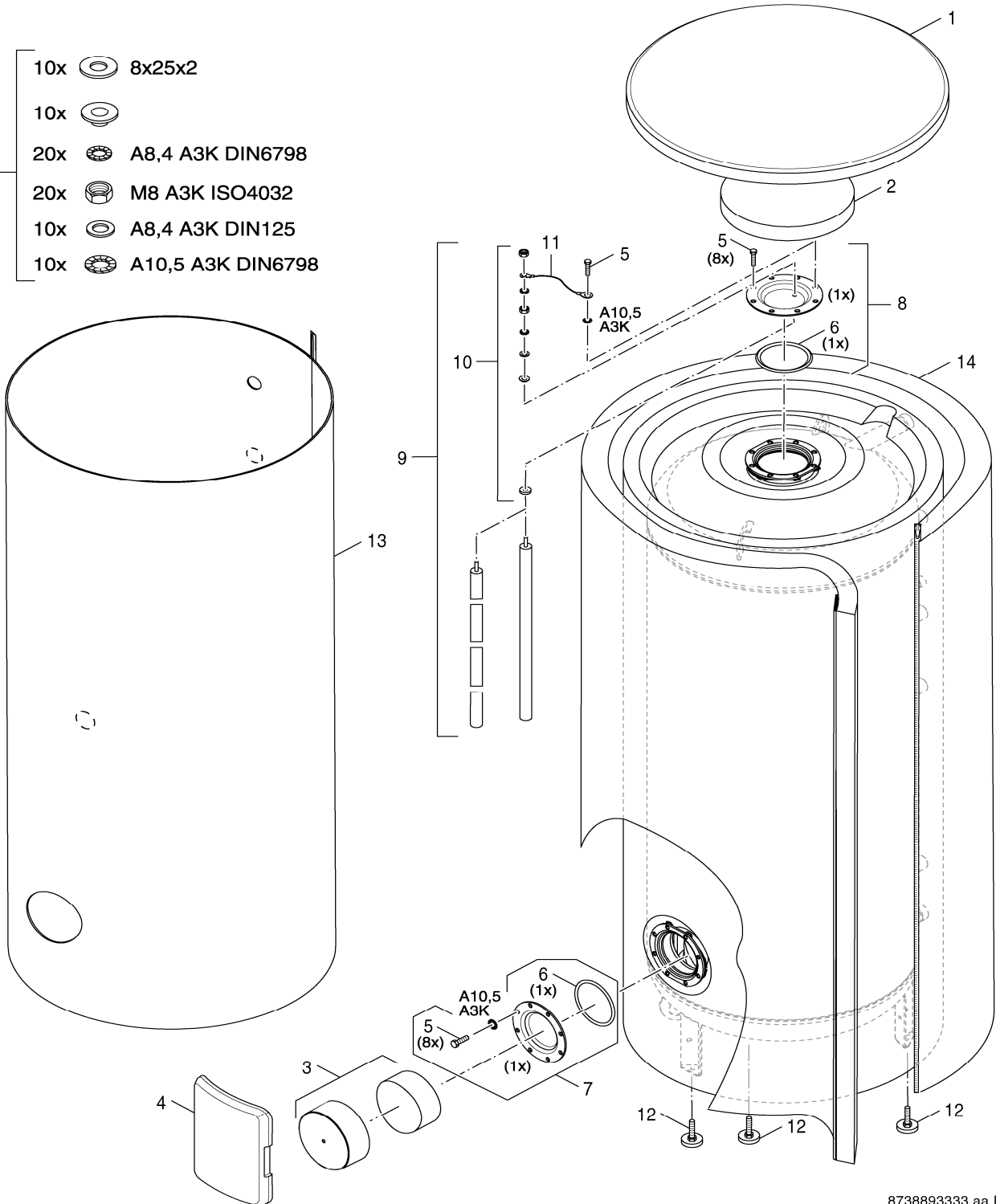


Ersatzteilliste
Spare parts list

Liste des pièces de rechange
Lista parti di ricambio

Onderdelenlijst
Lista de repuestos

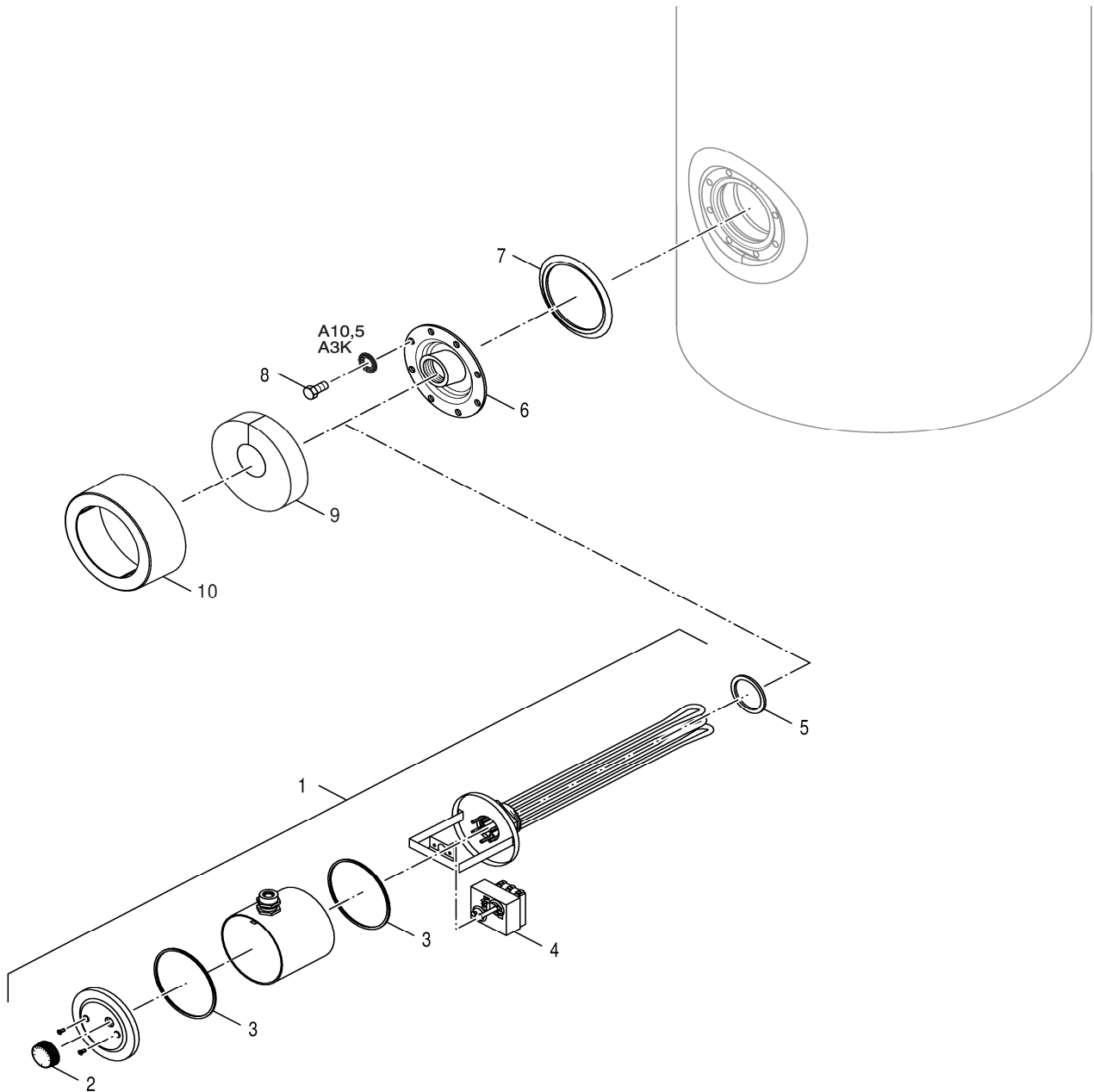
- 10x  8x25x2
 10x 
 20x  A8,4 A3K DIN6798
 20x  M8 A3K ISO4032
 10x  A8,4 A3K DIN125
 10x  A10,5 A3K DIN6798



8738893333.aa.RO

W 500-5 X

- 1** Speicher W 500-5 X
 Cylinder W 500-5 X
 Ballon W 500-5 X
 Accumatore W 500-5 X
 Voorraadvat W 500-5 X
 Acumulador W 500-5 X



8738893334.aa.RO

W 500-5 X

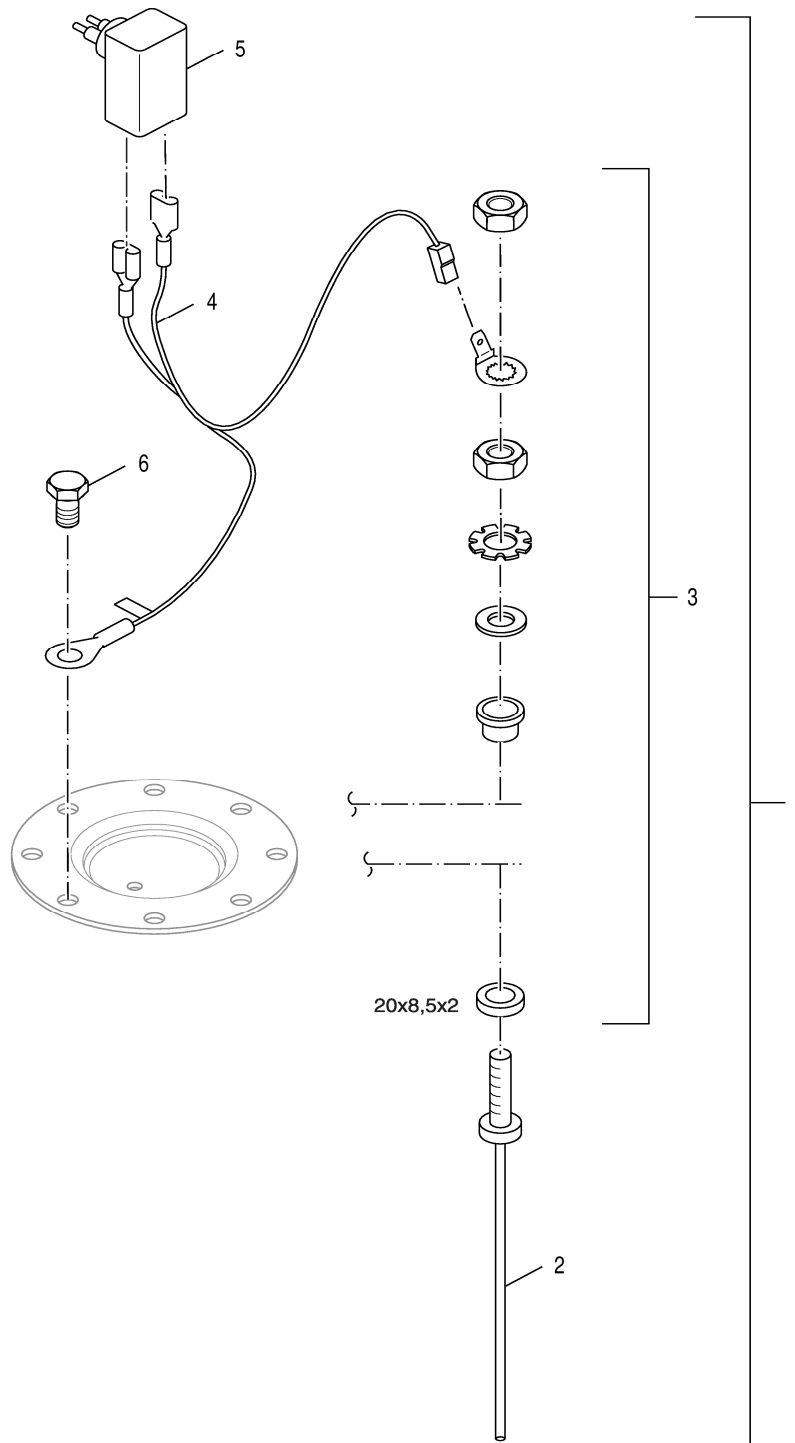
2

Elektro-Heizeinsatz
Immersion heater
Élément chauffant électrique
Resistenza elettrica
Elektrisch verwarmingselement
Resistencia electrica

Ersatzteilliste
Spare parts list

Liste des pièces de rechange
Lista parti di ricambio

Onderdelenlijst
Lista de repuestos



8738893346.aa.RO

W 500-5 X

3

- Inertanode 400mm M8
- Inert anode 400mm M8
- Anode inerte 400mm M8
- Anodo inerte 400mm M8
- Inertanode 400mm M8
- Anodo inerte 400mm M8

Übersetzungsliste List of translations		Liste des traductions Traduzione delle descrizioni		Vertalinglijst Lista de traducciones	
Pos	Description	Denomination	Descrizione	Benaming	Descripción
1	Element of construction	Groupe de construction	Gruppo di costruzione	Montagegroep	Grupo de construcción
1	Cover Outer Case D850 Black	Couvercle Couvercle D850 noir	Copertura Coperchio D850 nero	Afdekking Deksel D850 zwart	Recubrimiento Tapa D850 negro
1	Cover Outer Case D850 white	Couvercle Couvercle D850 blanc	Copertura Coperchio D850 bianco	Afdekking Deksel D850 wit	Recubrimiento Tapa D850 blanc
1	Cover Outer Case D783 white	Couvercle Couvercle D783 blanc	Copertura Coperchio D783 bianco	Afdekking Deksel D783 wit	Recubrimiento Tapa D783 blanc
2	Insulation Disc D375x30 packed	Disque d'isolement D375x30	Disco di isolamento D375x30	Isolatieschijf D375x30	Disco de aislamiento D375x30
2	Seal Foam Rose D320x0x50	Mousse molle Rozet D320x0x50	Schiuma morbida Rosone D320x0x50	Zachtschuim Rozet D320x0x50	Espuma suave Rosetón D320x0x50
3	Hand hole cover + insulation D197 white	Couvercle + isolation D197 blanc	Copertura + isolamento D197 bianco	Afdekking + isolatie D197 wit	Recubrimiento + aislamiento D197blanco
3	Hand hole cover + insulation D197 black	Couvercle + isolation D197 noir	Copertura + isolamento D197 nero	Afdekking + isolatie D197 zwart	Recubrimiento + aislamiento D197 negro
4	Insulation Access Hole 500 black	Isolation Trou de poing 500 noir	Coibentazione ispezione 500 nero	Isolatie Handgat 500 zwart	Aislamiento Punto de acceso manual 500
5	Thread-forming screws M10x25 (8x) AF16	Vis # ressort M10x25 (8x) clé de 16	6kt vite autofilettante M10x25 (8x) SW16	Zelftapschroeven M10x25 (8x) SW16	Tomillos automáticos M10x25 (8x) SW16
6	O-ring 120,02x6,99-N	Joint torique 120,02x6,99-N	O-ring 120,02x6,99-N	O-ring 120,02x6,99-N	Anillo tórico 120,02x6,99-N
7	Hand hole cover DN120 enameled	TRAPPE DE VISITE DN120	Coperchio d'ispezione DN120	Boilerdeksel mangat SU+ST/4 "V1"	Tapa de la boca de hombre DN120
8	Access cover DN120 f anode enameled	Trappe de visite DN 120 L160	Coperchio d'ispezione DN120	Boilerdeksel mangat ST/3+S-RW "V1"	Tapa de la boca de hombre DN120
9	Chain anode 6 sec. 1053/1023mm M8	Anode 6 elements 1053/1023 mm m8 compl	Anodo a catena 6 el. 1053/1023 mm M8	Kettinganode 6 Gld 1053/1023 mm M8	Ánodo de cadena 6 elementos 1053/1023mm
9	Anode D33x900mm	Anode d33x900mm	Anodo D33x900mm	Magnesium-anode 33x900 mm	anodo D33x900mm
10	Mounting kit magn.anodes insulated 10 pc	Fixation pour anode (10 pces)	Set di fissaggio anodi di magnesio (10x)	Bevestigingsset magnesiumanoden (10x)	Kit de montaje del Ánodo (10x)
11	Earth cable isolated for anode	Câble de masse pour anode	Cavo di massa anodo (isolato)	Massakabel anode (ge#soleerd)	Cable tierra para ánodo
12	Foot Set Tank 500-1000L 3 pc	Pieds tampon 500-1000L - 3pc	Piedini regolabili bollitori - 3 pezzi	Stelvoeten	Pies adjustable
13	Foil Jacket 500 white	Feuille Carenage blanc 500	Foglio Rivestimento bianco 500	Folie Bekleding wit 500	Revestimiento blanco 500
14	Insulation Jacket 500.6-40 S packed	Isolation 500.6-40 S	Coibentazione 500.6-40 S	Isolatie 500.6-40 S	Aislamiento 500.6-40 S
14	Insulation Jacket 500-40 white	Isolation 500-40 blanc	Coibentazione 500-40 bianco	Isolatie 500-40 wit	Aislamiento 500-40 blanc
	Thermometer 30 - 80 degree C	Thermometre 30-80#c pour LT	Termometro 30-80 gradi C	Thermometer TBS L/LT horizontaal	Termómetro analógico horizontal
	Tool Circle Cutter D125mm packed	Outil coupe circulaire D125mm	Taglierina circolare utensile D125mm	Gereedschap cirkel cutting D125mm	Herramienta de corte circular D125mm
	Digital thermometer with capillary 3 DTA	Thermom#tre numérique DTA	SONDA BOLLITORE DIGITALE DTA	THERMOMETER DIGITAAL P500/750/100-120S	Termometro Digital SU750
	Trademark Bosch	Marquage Bosch	Logo Bosch	LOGO BOSCH ZELFKLEVEND	Marca Bosch
	Case Thermometer 3T packed	Thermom#tre boîtier 3T	Termometro Involucro 3T	Thermometer behuizing 3T	Termómetro carcasa 3T
	Case Thermometer 1T packed	Thermom#tre boîtier 1T	Termometro Involucro 1T	Thermometer behuizing 1T	Termómetro carcasa 1T
2	Element of construction	Groupe de construction	Gruppo di costruzione	Montagegroep	Grupo de construcción
1	EH-2/230-I-AW-Re	EH-2/230-I-AW RES ELECT 2 KW AVEC TH V2	EH-2/230-I-AW-Re	E-Heater 2kW 1~230V	EH-2/230-I-AW-Re
1	EH-3/400-I-AW-Re	EH-3/400-I-AW-RES ELE 3kw AVEC THERM V2	EH-3/400-I-AW-Re	E-Heater 3kW 3~400V	EH-3/400-I-AW-Re
1	EH-4,5/400-I-AW-Re	EH-4,5/400-I-AW-RESIST ELEC 4,5KW TRI V2	EH-4,5/400-I-AW-Re	E-Heater 4,5kW 3~400V	EH-4,5/400-I-AW-Re
1	EH-6/400-I-AW-Re	EH-6/400-I-AW-RE ELE 6KW TRI AVEC TH V2	EH-6/400-I-AW-Re	E-Heater 6kW 3~400V	EH-6/400-I-AW-Re
1	EH-9/400-I-AW-Re	RESIST ELE 9 Kw tri 400 avec AQU	EH-9/400-I-AW-Re	E-Heater 9kW 3~400V	EH-9/400-I-AW-Re
2	Rotary selector E-heater regulator	BOUTON DE REGLAGE RESISTANCE	Manopola Controllo E-riscaldatore	Regelknop regelaar e-radiateur	Botón giratorio acumulador
3	Gasket 106x114x2	JOINT 106x114x2mm	Guarnizione 106x114x2	Pakking 106x114x2	Junta resistencia 106x114x2
4	Limiter Contr 30-75/106 Rathgeber	Thermostat 30-75/106 Rathgeber	Regolatore di temperatura 30-75/106 Rath	Temperatuurregelaar 30-75/106 Rathgeber	Regulador de temperatura 30-75/106 Rathg
5	Joint washer D60x48x3mm (5x)	Joint D60x48x3mm (5x)	Guarnizione D60x48x3mm (5x)	Afdichtring D60x48x3mm (5x)	Anillo junta D60x48x3mm (5x)
6	Handhole cover DN120-G1 1/2 Enamelled	Trappe de visite DN120-G1 1/2	Coperchio d'ispezione DN120-G1 1/2	Handgatdeksel DN120-G1 1/2	Tapa de la boca de hombre DN120-G1 1/2
7	O-ring 120,02x6,99-N	Joint torique 120,02x6,99-N	O-ring 120,02x6,99-N	O-ring 120,02x6,99-N	Anillo tórico 120,02x6,99-N
8	Thread-forming screws M10x25 (8x) AF16	Vis # ressort M10x25 (8x) clé de 16	6kt vite autofilettante M10x25 (8x) SW16	Zelftapschroeven M10x25 (8x) SW16	Tomillos automáticos M10x25 (8x) SW16
9	Seal Foam D200x60x40	Mousse molle Rozet D200x60x40	Schiuma morbida Rosone D200x60x40	Zachtschuim Rozet D200x60x40	Espuma suave Rosetón D200x60x40
10	Cover Hand Hole D197/145 white	Couvercle Handgatdeksel D197/145 blanc	Copertura Coperchio d'ispezione bianco	Afdekking Handgatdeksel D197/145 wit	Recubrimiento D197/145 blanco
10	Cover Hand Hole D197/145 black	Couvercle Handgatdeksel D197/145 noir	Copertura Coperchio d'ispezione nero	Afdekking Handgatdeksel D197/145 zwart	Recubrimiento D197/145 negro
3	Element of construction	Groupe de construction	Gruppo di costruzione	Montagegroep	Grupo de construcción
1	Inert anode UP 400mm	Anode inerte UP400 avec branch	Anodo inerte UP400	Inertanode met aansluitstekker	Anodo inerte Correx UP 10-19-H7
2	Inert anode 400mm with Threaded stud M8	Anode inerte 400mm avec Tige fileté M8	Anodo inerte con Perno filettato M8	Inertanode 400mm met Draadstift M8	Ánodo inerte 400mm con rosca M8
3	Mounting kit inert anodes (5 pack)	Fixation Anode Inerte (5x)	Materiale per il Montaggio Anodo (5x)	Bevestigingsset inertanoden	Material de Montaje Anodo inerte (5x)
4	Connecting cable Correx UP	Conduite de raccordem. Correx UP	Cavo di collegamento Correx UP completo	Aansluitkabel 3500mm voor UP19H (050)	Cable de conexión Correx UP
5	Connector potentiostat UP 19H AMP plug	Potentiostat # connecteur UP 19H	Potenziostato connettore UP 19H	Potentiostaat UP 19H	Enchufe UP 19H
6	Thread-forming screws M10x25 (8x) AF16	Vis # ressort M10x25 (8x) clé de 16	6kt vite autofilettante M10x25 (8x) SW16	Zelftapschroeven M10x25 (8x) SW16	Tomillos automáticos M10x25 (8x) SW16



BOSCH

Bosch Thermotechnik GmbH
D-73249 Wernau / Germany