

MEM Wall valve clockwise closing 3/4" - Platinum

MEM

36 608 782 Product version up to 10/27/2020



- rosette 60 x 60 mm
- head part with cut-to-length spindle and sleeve
- WRAS

	Platinum	36 608 782-08
	Chrome	36 608 782-00
	Brushed Platinum	36 608 782-06
	Dark Chrome	36 608 782-19
	Brushed Light Gold (PVD)	36 608 782-27
	Brushed Durabrass (23kt Gold)	36 608 782-28
	Brushed Dark Brass (PVD)	36 608 782-39
	Brushed Bronze (PVD)	36 608 782-42
	Brushed Dark Bronze (PVD)	36 608 782-43
	Brushed Champagne (22kt Gold)	36 608 782-46
	Champagne (22kt Gold)	36 608 782-47
	Brushed Dark Platinum	36 608 782-99

Required miscellaneous

- Wall valve 3/4" -** 35 608 970 90
- min. recess depth 105 mm
 - max. recess depth 150 mm

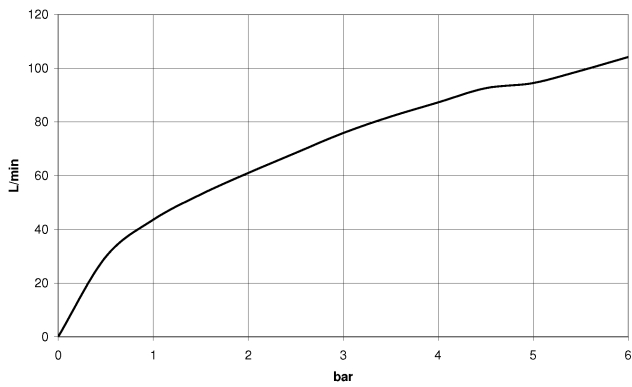


36 608 782 Product version up to 10/27/2020

mm [inches]



Flow rate chart



Codes & Standards

ASME A112.18.1

cUPC

Scottish Water
Byelaws

UK Water Supply
Regulations



MEM Wall valve clockwise closing 3/4" - Platinum

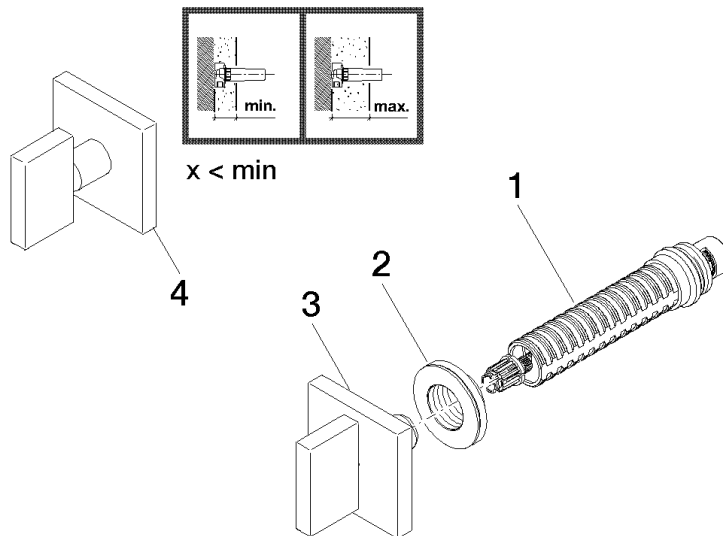
MEM

36 608 782 Product version up to 10/27/2020

Certificates and sustainability

WRAS_2010	IAPMO_4976 (EPD-DOR-20230287 -IBA1-EN Environmental.prod uct-declarat
-----------	--------------	--

36 608 782 Product version up to 10/27/2020



Spare parts list

No.	Item Number	Name	Quantity used	Delivery time
4	90 20 78 002 01-08	Handle 60 x 60 x 55 mm - Platinum	1.00	54
3	90 20 78 002 02-08	Handle for wall valve 60 x 60 x 75 mm - Platinum	1.00	54
2	09 21 02 108 90	Sleeve Ø 43,1 x 13 mm -	1.00	-
Spare part can no longer be ordered, please order the replacement item				
	9021021080090	Wall disc complete -		
1	90 90 03 127 00 90	Head part clockwise closing 3/4" -	1.00	14