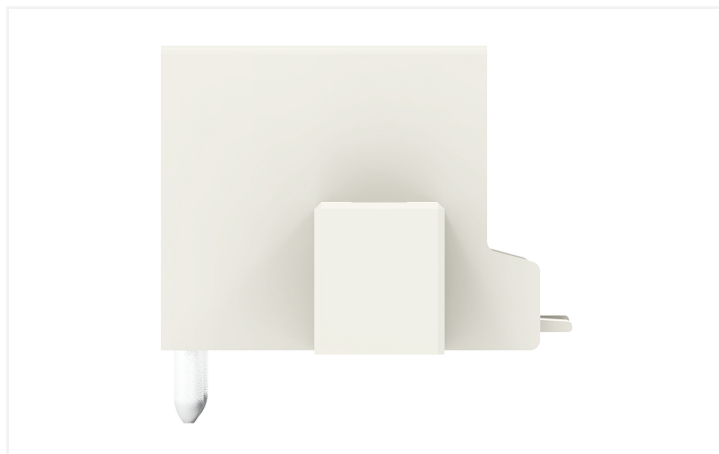
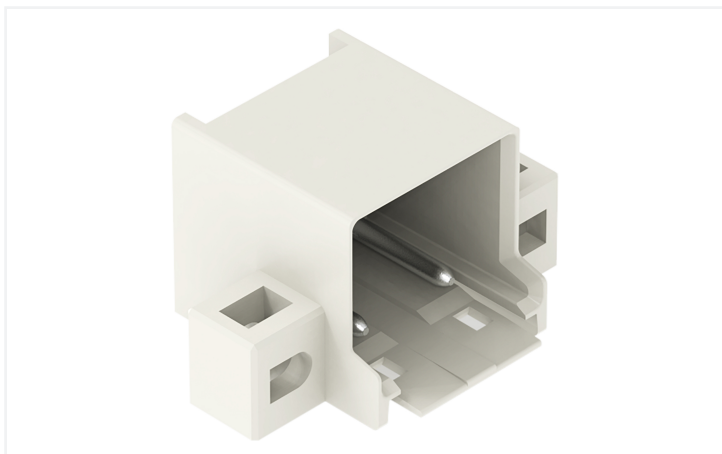


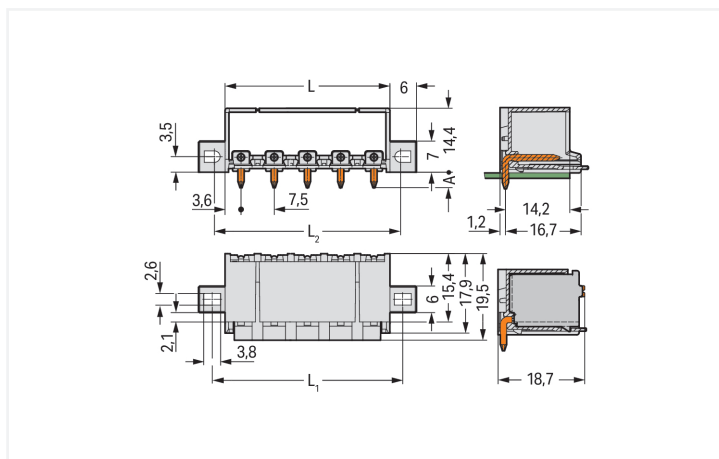
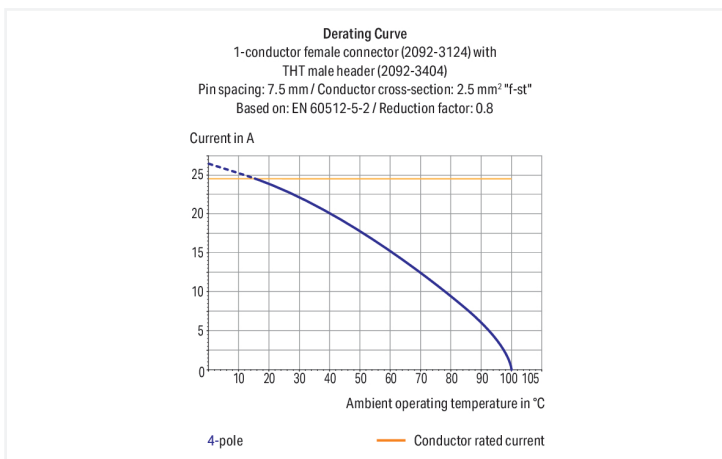
# Data Sheet | Item Number: 2092-3422/005-000

THT male header; 1.4 mm Ø solder pin; angled; clamping collar; Pin spacing 7.5 mm; 2-pole; light gray

<https://www.wago.com/2092-3422/005-000>



Color: ■ light gray



Dimensions in mm

$L = (\text{pole no.} - 1) \times \text{pin spacing} + 7.2 \text{ mm}$   
 $L_1 = (\text{pole no.} \times \text{pin spacing}) + 5.5 \text{ mm}$   
 $L_2 = (\text{pole no.} \times \text{pin spacing}) + 4.5 \text{ mm}$   
 $A = 3.6 \text{ mm}$  THT solder pin  
 $A = 2.4 \text{ mm}$  THR solder pin

Male connector, 2092 Series, light gray

Our male connector (item number 2092-3422/005-000) is designed for seamless electrical installations. The dimensions are (26.7 x 18 x 19.5) mm (width x height x depth).

The contact surface is coated with tin. THT is used to solder the pcb connector.

## Notes

### Safety Information

The **picoMAX® Pluggable Connection System** includes connectors without breaking capacity in accordance with DIN EN 61984. When used as intended, these connectors must not be connected/disconnected when live or under load. When used as intended, these connectors must not be connected/disconnected when live or under load. The circuit design should ensure header pins, which can be touched, are not live when unmated.

### Variants:

Direct marking  
Other versions (or variants) can be requested from WAGO Sales or configured at <https://configurator.wago.com/>.

## Electrical data

Ratings per	IEC/EN 60664-1			Approvals per	UL 1059		
	III	III	II		Use group	B	C
Overvoltage category	III	III	II	Use group	B	C	D
Pollution degree	3	2	2	Rated voltage	300 V	-	300 V
Nominal voltage	400 V	630 V	1000 V	Rated current	15 A	-	10 A
Rated impulse withstand voltage	6 kV	6 kV	6 kV				
Rated current	16 A	16 A	16 A				

## Connection Data

Total number of potentials	2	<b>Connection 1</b>	
Number of connection types	1		
Number of levels	1		
		Pole number	2

## Physical data

Pin spacing	7.5 mm / 0.295 inches
Width	26.7 mm / 1.051 inches
Height	18 mm / 0.709 inches
Height from the surface	14.4 mm / 0.567 inches
Depth	19.5 mm / 0.768 inches
Solder pin length	3.6 mm
Solder pin diameter	1.4 mm
!	1.6 <sup>(+0.1)</sup> mm

## Mechanical data

Variable coding	Yes
Mounting type	Mounting flange
Mounting type	Feed-through mounting Panel mounting
Anti-rotation protection	Yes
Suitable for through-panel applications	Yes

## Plug-in connection

Contact type (pluggable connector)	Male connector/plug
Connector (connection type)	for PCB
Mismating protection	No
Plugging without loss of pin spacing	Yes
Mating direction to the PCB	0°
Locking of plug-in connection	Locking latch

### PCB contact

PCB contact	THT
-------------	-----

### Material data

Note (material data)	<a href="#">Information on material specifications can be found here</a>
Color	light gray
Material group	I
Insulation material (main housing)	Polyphthalamide (PPA GF)
Flammability class per UL94	V0
Contact material	Electrolytic copper (E <sub>Cu</sub> )
Contact Plating	Tin
Fire load	0.053 MJ
Weight	2.2 g

### Environmental requirements

Limit temperature range	-60 ... +100 °C
Processing temperature	-35 ... +60 °C

### Commercial data

Product Group	26 (picoMAX Connectors)
PU (SPU)	100 pcs
Packaging type	Box
Country of origin	DE
GTIN	4050821165934
Customs tariff number	85366930000

### Product Classification

UNSPSC	39121409
eCl@ss 10.0	27-44-04-02
eCl@ss 9.0	27-44-04-02
ETIM 9.0	EC002637
ETIM 10.0	EC002637
ECCN	NO US CLASSIFICATION

### Environmental Product Compliance

RoHS Compliance Status	Compliant, No Exemption
------------------------	-------------------------

### Approvals / Certificates

#### General approvals



Approval	Standard	Certificate Name
CB DEKRA Certification B.V.	IEC 61984	NL-89885
CSA CSA Group	C22.2	2362521
CSA DEKRA Certification B.V.	C22.2 No. 158	2362521
cURus Underwriters Laboratories Inc.	UL 1059	E45172

#### General approvals

KEMA/KEUR DEKRA Certification B.V.	EN 61984	71-129874
UL Underwriters Laboratories Inc.	UL 1977	E45171

## Downloads

### Environmental Product Compliance

#### Compliance Search

Environmental Product  
Compliance  
2092-3422/005-000



## Documentation

### Additional Information

Technical Section

03.04.2019

pdf

2027.26 KB



## CAD/CAE-Data

### CAD data

2D/3D Models  
2092-3422/005-000



### CAE data

ZUKEN Portal  
2092-3422/005-000



## PCB Design

Symbol and Footprint  
via SamacSys  
2092-3422/005-000



Symbol and Footprint  
via Ultra Librarian  
2092-3422/005-000



## 1 Compatible Products

### 1.1 System counterpart

#### 1.1.1 Female connector/socket



#### Item No.: 2092-3122

1-conductor female connector; push-but-  
ton; Push-in CAGE CLAMP®; 2.5 mm<sup>2</sup>; Pin  
spacing 7.5 mm; 2-pole; 2,50 mm<sup>2</sup>; light  
gray

## 1.2 Optional Accessories

### 1.2.1 Coding

#### 1.2.1.1 Coding



Item No.: [2092-1610](#)

Coding key carrier; orange

## Installation Notes

### Coding



Coding a male header (via coding key carrier and two keys for male header, see symbol).