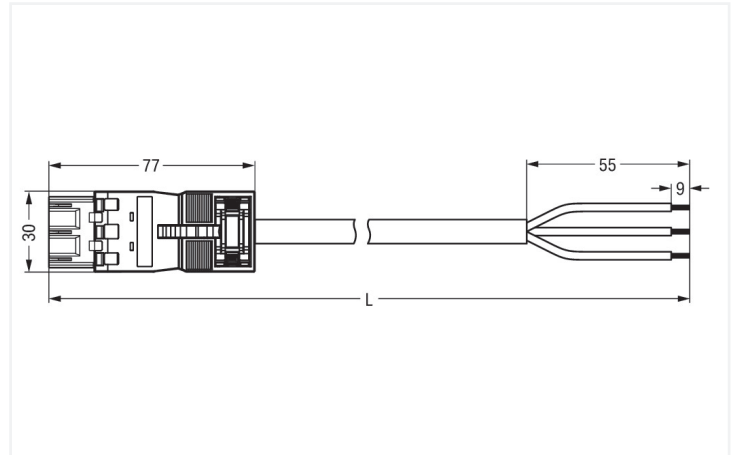


Data Sheet | Item Number: 771-4993/207-303

pre-assembled connecting cable; Eca; Plug/open-ended; 3-pole; Cod. B; H05VV-F 3 x 2.5mm²; 3 m; 2,50 mm²

<https://www.wago.com/771-4993/207-303>



Dimensions in mm

Cable assembly WINSTA® MIDI with protection type IP20

The WINSTA® MIDI cable assembly with protection against mismatching supports rapid, correct installation. On PCBs, in control cabinets or for connecting lights – pluggable installation connectors from WAGO allow you to establish connections according to a huge variety of requirements in seconds. The coding options reduce installation errors, allowing fast, maintenance-free wiring of all components. The pluggable installation connector offers touch-proof protection with live components in accordance with protection type IP20 (When mated: IP2xC (These compact connectors are not designed for use in open, easily accessible areas!)). B coding enables the WINSTA® MIDI pluggable installation connectors to be used for application control in the domains of automation, robotics, and mechanical engineering. The rated current and voltage are important criteria for selecting a pluggable installation connector: They provide information about possible domains of use and applications. This product has a current rating of 20 A – as a result it is also suitable for high power loads. WINSTA® MIDI with Push-in CAGE CLAMP® spring pressure connection technology is found in can be found in a variety of projects you can use for quick, easy and maximally flexible installation. According to the European CPR, the fire class of the cables used in construction is critical for the safety of buildings, too. For buildings with average safety requirements, cable assemblies with fire class E are suitable.

Fast, secure pluggable connections – cable assemblies from WAGO

The cable assembly is provided with a plug and a free end. WINSTA® is the pluggable connection system that is perfectly tailored to the strict requirements of electrical installation. It ensures fast, secure and, above all, error-free installation of components and cables. Choose durability and quality – with protection against mismatching from WAGO makes the installation of electrical components visibly easier.

- protection against mismatching eliminates errors
- simple circuits
- with B coding for use in automation of processes, such as lighting technology
- exact dimensions
- quick replacement of defective units during ongoing operation

Notes

| | |
|-----------|---|
| Note | Cables with a different fire class can be found in the eShop. |
| Variants: | Other pole markings Other versions (or variants) can be requested from WAGO Sales or configured at https://configurator.wago.com/ . |

Electrical data

| Ratings per | IEC/EN 60664-1 | | |
|---------------------------------|----------------|-----|----|
| Overvoltage category | III | III | II |
| Pollution degree | 3 | 2 | 2 |
| Nominal voltage | 250 V | - | - |
| Rated impulse withstand voltage | 4 kV | - | - |
| Rated current | 20 A | - | - |

General information

| | |
|----------------------------|--|
| Note on contact resistance | approx. 1 mΩ of contact resistance approx. 0.25 mΩ contact transition plug/ socket |
|----------------------------|--|

Connection Data

| | |
|----------------------------|---------------------------|
| Total number of potentials | 3 |
| Conductor preparation | ultrasonically tip-bonded |

Connection 1

| | |
|---------------------------------|---------------------|
| Strip length | 9 mm / 0.35 inches |
| Pole number | 3 |
| Wire cross-section | 2.5 mm ² |
| Strip length (outer insulation) | 55 mm |
| Connection type | Plug - free end |

Physical data

| | |
|--------------|------------------------|
| Pin spacing | 10 mm / 0.394 inches |
| Width | 27 mm / 1.063 inches |
| Height | 15.6 mm / 0.614 inches |
| Total length | 3 m |

Mechanical data

| | |
|---|---|
| Use | Control technology |
| Coding | B |
| Variable coding | Yes |
| Marking | 1 2 3 |
| Potential marking | 1 2 3 |
| Mating force of a plug-in connection | approx. 20 ... 70 N (depending on pole number) |
| Retention force of a plug-in connection | when locked: > 80N |
| Unmating force of a plug-in connection | when unlocked: approx. 20 ... 70 N (depending on pole number) |
| Number of mating cycles | 200, without resistive load |
| Connection type | Plug - free end |
| Type of pre-assembled cable | Connecting cable |
| Cable type | H05VV-F 3x2.5 |
| Protection type | IP20; When mated: IP2xC (These compact connectors are not designed for use in open, easily accessible areas!) |

Plug-in connection

| | |
|-------------------------------|--|
| Mismating protection | Yes |
| Note on mismating protection | All <i>WINSTA</i> ® components are 100% protected against mismating when: a.) plugging different numbers of poles b.) plugging while rotated 180 c.) plugging while laterally staggered d.) plugging one pole |
| Locking lever | Can be retrofitted |
| Locking of plug-in connection | Locking lever |
| Note on locking system | All connectors for mounted installations (snap-in versions for lighting fixtures or devices, all types of PCB and distribution connectors) are factory-equipped with locking levers to ensure plugs and sockets are securely locked. Additional locking levers are only required for flying leads (plug/socket). |

Material data

| | |
|------------------------------------|--|
| Note (material data) | Information on material specifications can be found here |
| Insulation material (main housing) | Polyamide (PA66) |
| Flammability class per UL94 | V0 |
| Fire class per EN 50575 | E _{ca} |
| Contact material | Copper or copper alloy; surface-treated |
| Contact Plating | Tin |
| Fire load | 89.813 MJ |
| Connector color | gray |
| Strain relief color | black |
| Sheathed cable color | gray |
| Printing color of sheathed cable | black |
| Halogen-free | No |
| Silicon-free | Yes |
| Sheath material | PVC |
| Rubber cable | No |
| Weight | 459.1 g |
| Copper weight of the raw cable | 0.072 kg/m |

Environmental requirements

| | |
|--|---|
| Processing temperature | -5 ... +40 °C |
| Continuous operating temperature | -35 ... +85 °C |
| Note on continuous operating temperature | Cable for temperatures ≤ 70 °C (including halogen-free) Insulating parts for temperatures ≤ 105 °C |

Commercial data

| | |
|-----------------------|---------------|
| PU (SPU) | 1 pcs |
| Packaging type | not specified |
| Country of origin | DE |
| GTIN | 4050821667575 |
| Customs tariff number | 85444290900 |

Product Classification

| | |
|-------------|----------------------|
| UNSPSC | 26121629 |
| eCl@ss 10.0 | 27-44-06-04 |
| eCl@ss 9.0 | 27-44-06-04 |
| ETIM 9.0 | EC002587 |
| ETIM 10.0 | EC002587 |
| ECCN | NO US CLASSIFICATION |

Environmental Product Compliance

| | |
|------------------------|-------------------------|
| RoHS Compliance Status | Compliant, No Exemption |
|------------------------|-------------------------|

Approvals / Certificates

General approvals



| Approval | Standard | Certificate Name |
|---------------------------------------|----------|------------------|
| CCA DEKRA Certification B.V. | EN 61535 | NTR NL-7972 |
| KEMA/KEUR DEKRA Certification B.V. | EN 61535 | 71-123834 |

Downloads

Environmental Product Compliance

| Compliance Search | |
|--|-------------------|
| Environmental Product Compliance 771-4993/207-303 | ↓ |

Documentation

| Bid Text | | | |
|------------------|------------|-----------------|-------------------|
| 771-4993/207-303 | 02.06.2015 | doc 27.50 KB | ↓ |
| 771-4993/207-303 | 19.02.2019 | xml 3.00 KB | ↓ |

CAD/CAE-Data

| CAE data | |
|---------------------------------------|-------------------|
| EPLAN Data Portal 771-4993/207-303 | ↓ |
| WSCAD Universe 771-4993/207-303 | ↓ |

1 Compatible Products

1.1 Required Accessories

1.1.1 Locking system

1.1.1.1 Locking system



[Item No.: 770-101](#)
Locking lever; for flying leads; for manual operation; black

[Item No.: 770-121](#)
Locking lever; for flying leads; for manual operation; white

[Item No.: 770-111](#)
Locking lever; for flying leads; for tool operation; black

[Item No.: 770-131](#)
Locking lever; for flying leads; for tool operation; white

1.2 Optional Accessories

1.2.1 Cover

1.2.1.1 Cover



Item No.: 770-360

Lockout cap; for plugs; 5-pole; separable; yellow



Item No.: 897-2003

Protective cap; Type2; for sockets and plugs; PVC; red

1.2.2 Installation

1.2.2.1 Mounting accessories



Item No.: 770-310

Mounting carrier; 2- to 5-pole; for flying leads; black

1.2.3 Marking

1.2.3.1 Marker



Item No.: 770-450/000-006

Marker card; Plastic; blue



Item No.: 770-450/000-001

Marker card; Plastic; green



Item No.: 770-450/000-012

Marker card; Plastic; orange



Item No.: 770-450/000-005

Marker card; Plastic; red



Item No.: 770-450

Marker card; Plastic; white



Item No.: 770-450/000-002

Marker card; Plastic; yellow

1.2.3.2 Marking strip



Item No.: 210-334

Marking strips; as a DIN A4 sheet; Strip width 5 mm; Strip length 182 mm; plain; Self-adhesive; white