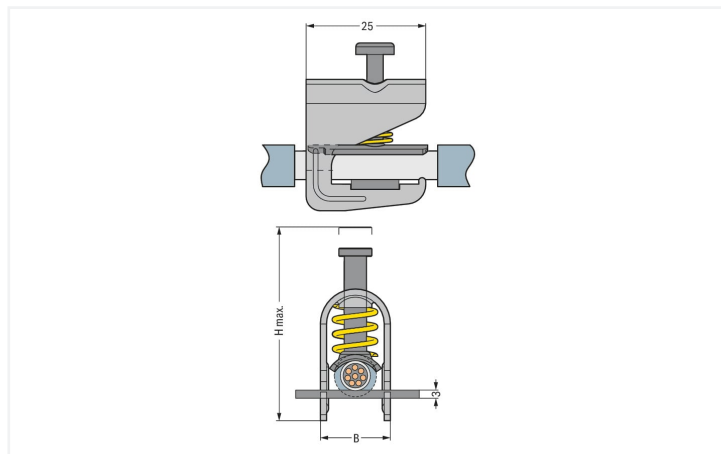


Data Sheet | Item Number: 791-124

Shield clamp; diameter of compatible conductor; 16 mm to 24 mm; H max. 78 mm;
30 mm wide

<https://www.wago.com/791-124>



Dimensions in mm

Notes

Safety information

Cannot be used for connecting ground conductors!

Technical data

Safety information

Cannot be used for connecting ground conductors!

Material data

Fire load	0 MJ
Weight	45.5 g
Material	Brass

Commercial data

Product Group	2 (Terminal Block Accessories)
eCl@ss 10.0	27-14-11-50
eCl@ss 9.0	27-14-11-50
ETIM 8.0	EC002020
ETIM 7.0	EC002020
PU (SPU)	50 pcs
Packaging type	Box
Country of origin	CH
GTIN	4045454007638
Customs tariff number	85369010000

Environmental Product Compliance

RoHS Compliance Status	Compliant, No Exemption
------------------------	-------------------------

Downloads

Environmental Product Compliance

Compliance Search	
Environmental Product Compliance 791-124	↓

Documentation

Bid Text			
791-124	19.02.2019	xml 2.71 KB	↓
791-124	28.11.2018	doc 23.00 KB	↓

CAD/CAE-Data

CAD data	
2D/3D Models 791-124	↓

CAE data	
WSCAD Universe 791-124	↓

1 Compatible Products

1.1 Optional Accessories

1.1.1 N-busbar

1.1.1.1 Mounting accessories



Item No.: 210-133
Busbar; tin-plated; 1000 mm long; Cu 10 mm x 3 mm; white



Item No.: 790-133
Busbar; tin-plated; 30 mm long; Cu 10 mm x 3 mm; silver-colored



Item No.: 790-134
Busbar; tin-plated; 50 mm long; Cu 10 mm x 3 mm; silver-colored

Subject to changes. Please also observe the further product documentation!

Current addresses can be found at: www.wago.com