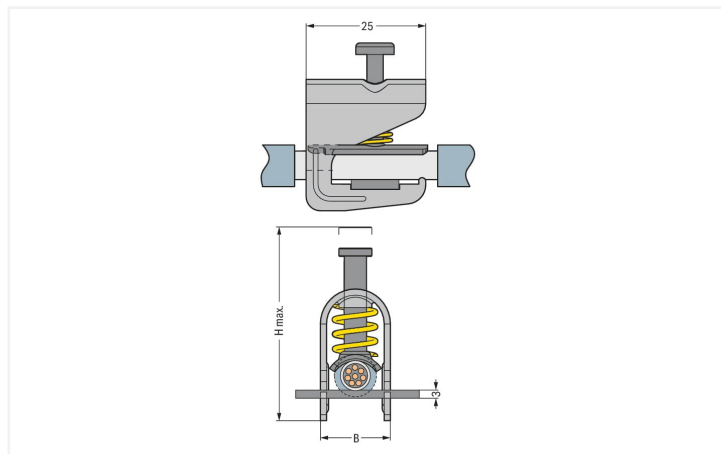


## Data Sheet | Item Number: 791-117

Shield clamp; diameter of compatible conductor; 10 mm to 17 mm; H max. 63 mm;  
23 mm wide

<https://www.wago.com/791-117>



Dimensions in mm

### Notes

Safety information

Cannot be used for connecting ground conductors!

### Technical data

Safety information

Cannot be used for connecting ground conductors!

### Material data

Fire load	0 MJ
Weight	36 g
Material	Brass

### Commercial data

Product Group	2 (Terminal Block Accessories)
eCl@ss 10.0	27-14-11-50
eCl@ss 9.0	27-14-11-50
ETIM 8.0	EC002020
ETIM 7.0	EC002020
PU (SPU)	50 pcs
Packaging type	Box
Country of origin	CH
GTIN	4045454007621
Customs tariff number	85369010000

## Environmental Product Compliance

RoHS Compliance Status Compliant, No Exemption

## Downloads

### Environmental Product Compliance

Compliance Search	
Environmental Product Compliance 791-117	<a href="#">↓</a>

## Documentation

Bid Text			
791-117	21.02.2019	xml 3.04 KB	<a href="#">↓</a>
791-117	28.11.2018	doc 23.00 KB	<a href="#">↓</a>

## CAD/CAE-Data

CAD data	
2D/3D Models 791-117	<a href="#">↓</a>

CAE data	
WSCAD Universe 791-117	<a href="#">↓</a>
ZUKEN Portal 791-117	<a href="#">↓</a>

## 1 Compatible Products

### 1.1 Optional Accessories

#### 1.1.1 N-busbar

##### 1.1.1.1 Mounting accessories



**Item No.: 210-133**  
Busbar; tin-plated; 1000 mm long; Cu 10 mm x 3 mm; white



**Item No.: 790-133**  
Busbar; tin-plated; 30 mm long; Cu 10 mm x 3 mm; silver-colored



**Item No.: 790-134**  
Busbar; tin-plated; 50 mm long; Cu 10 mm x 3 mm; silver-colored