


35 860 970 90 Product version up to 11/11/2021




- 2x female thread 1/2" connections
- 1x female thread 1/2" outlet for wall spout
- 1x female thread 1/2" outlet
- 2x dust cover
- anti-water packing
- soundproofing
- gauge 100 mm
- WRAS


Recommended miscellaneous

	<p>Extension 20 mm - •Not suitable for combining with META PURE (36 86X 664-FF).</p>	<p>12 869 970 90</p>
---	---	----------------------

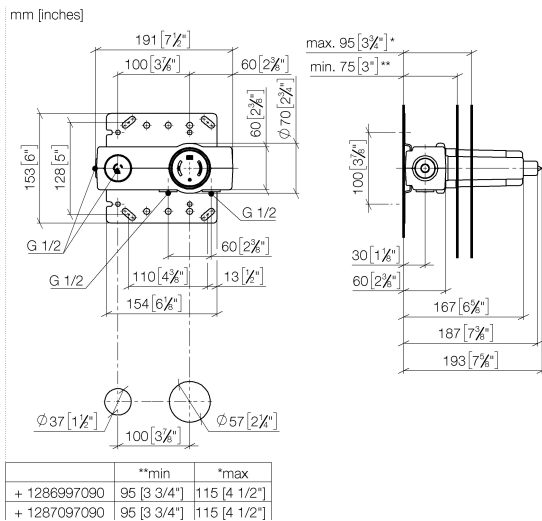
Recommended miscellaneous

	<p>Extension 20 mm - •Can only be combined with exposed trim parts 36 86X 664-FF.</p>	<p>12 870 970 90</p>
---	--	----------------------

Recommended miscellaneous

	<p>Adapter for reversed water connections - •Not suitable for combining with META PURE (36 86X 664-FF).</p>	<p>12 880 970 90</p>
---	---	----------------------

35 860 970 90 Product version up to 11/11/2021



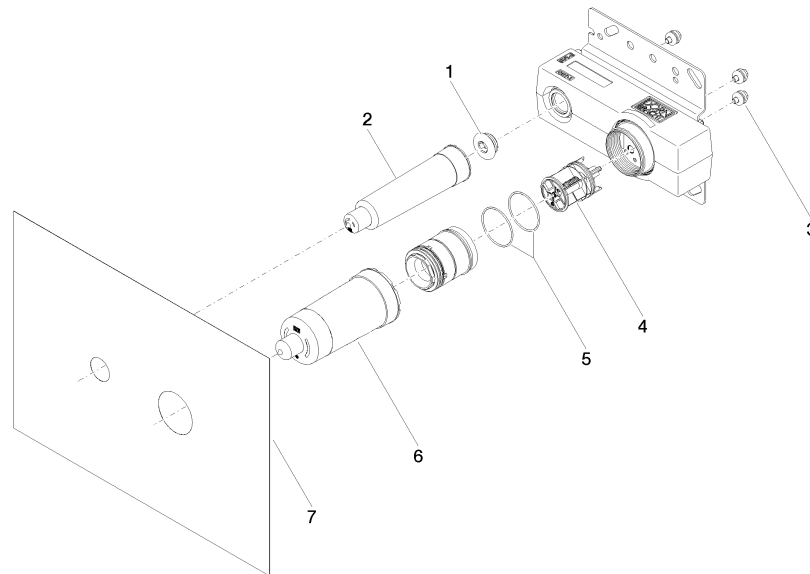
Codes & Standards

EN 817	Scottish Water Byelaws	UK Water Supply Regulations	XP P 41-280
--------	---------------------------	--------------------------------	-------------

Certificates and sustainability

WRAS_2010	ACS_21 ACC LY	DVGW_DW- 6512DN0	WRAS_2107	EPD-DOR-20230287 -IBA1-EN Environmental.prod uct-declarat
-----------	---------------	---------------------	-----------	--

35 860 970 90 Product version up to 11/11/2021



Spare parts list

No.	Item Number	Name	Quantity used	Delivery time
6	09 21 02 176 90	Protective cap for concealed single-lever mixer Ø 55 x 136 mm -	1.00	-
Spare part can no longer be ordered, please order the replacement item				
	09210218290	Protective cap for concealed single-lever mixer Ø 55 x 136 mm -		
1	04 31 20 006 00 90	Plug 1/2" -	1.00	14
3	90 23 01 091 00 90	Attachment set Bolt/nut with damping Ø 127 x Ø 6 x 8 mm -	3.00	14
7	04 14 03 074 01 90	Washer -	1.00	14
5	09 14 10 190 90	O-Ring EPDM 70 38,0 x 1,5 mm -	2.00	14
4	90 31 20 107 00 90	Plug 10 x 38 x 10 mm -	1.00	14
2	90 21 02 190 00 90	Waterproofing cover for wall valve Ø 37 x 149 mm -	1.00	14