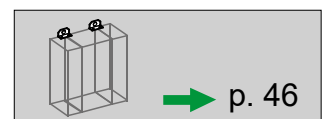
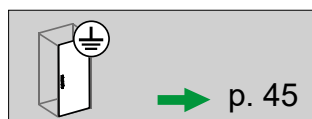
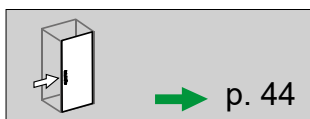
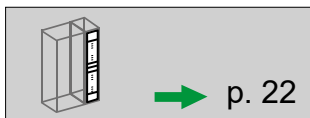
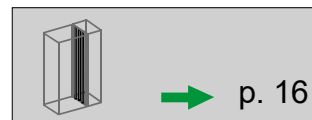
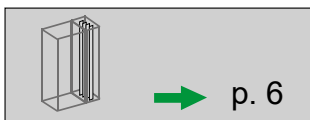
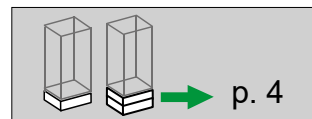
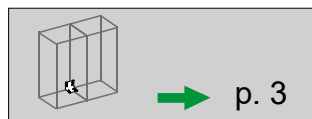
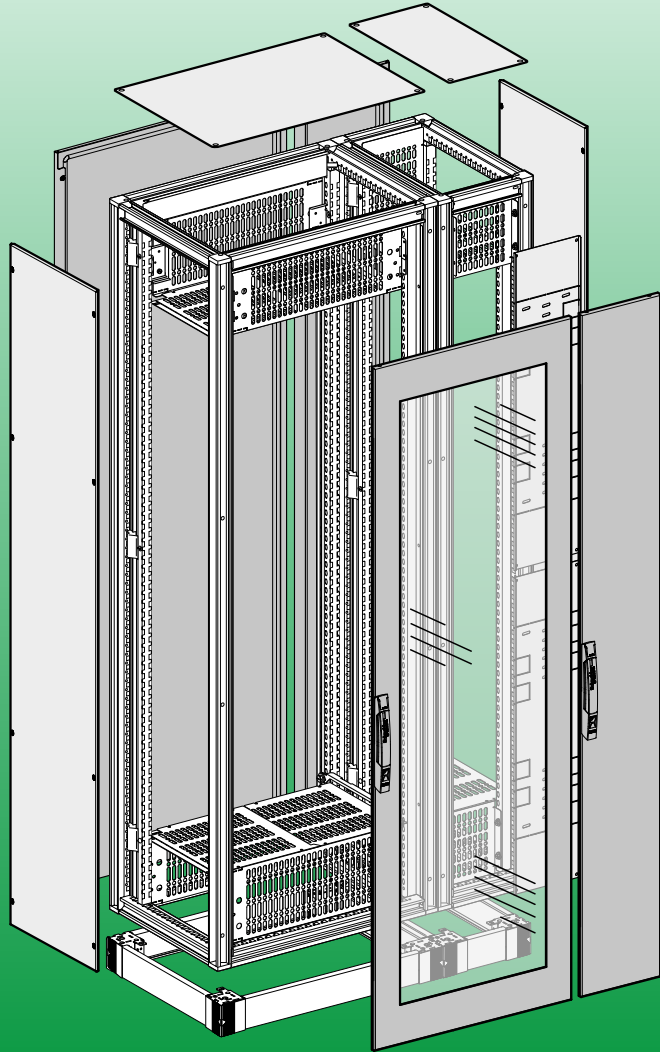
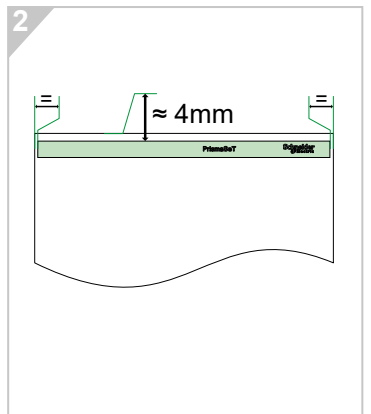
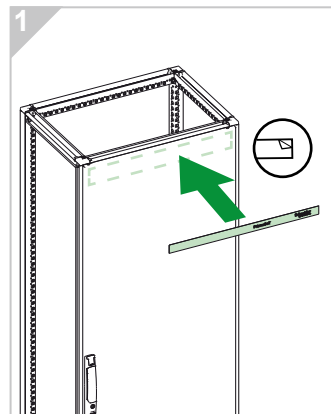
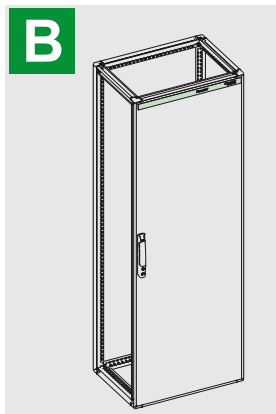
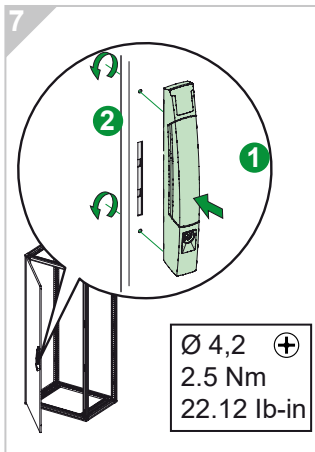
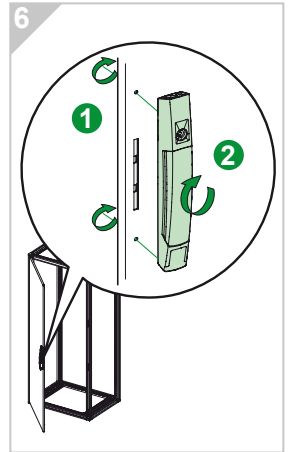
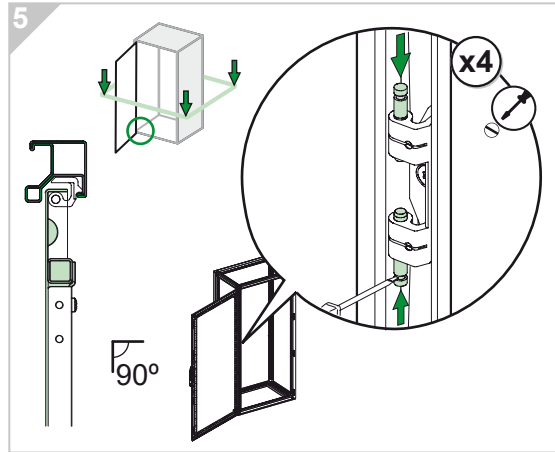
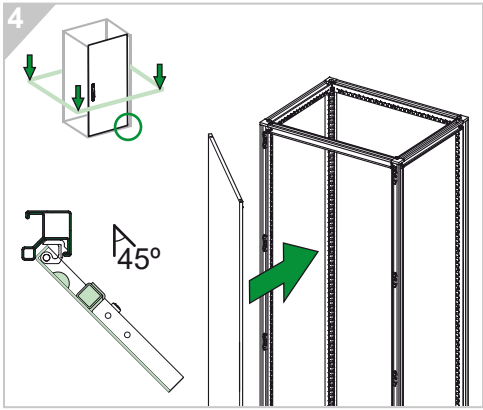
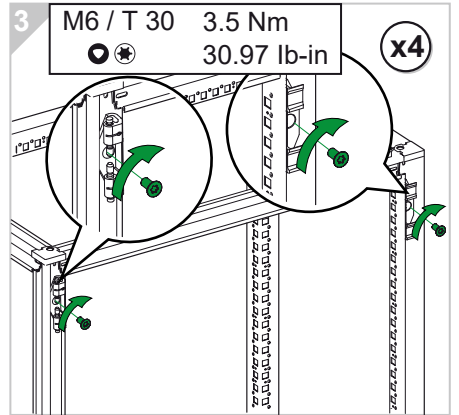
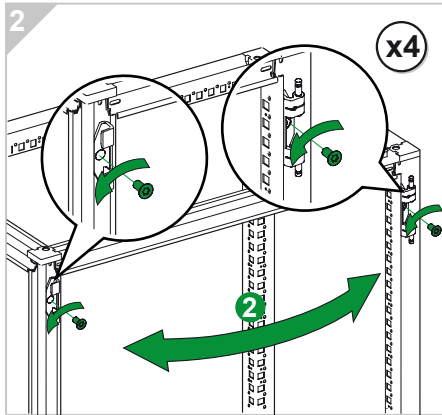
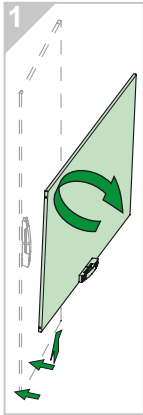
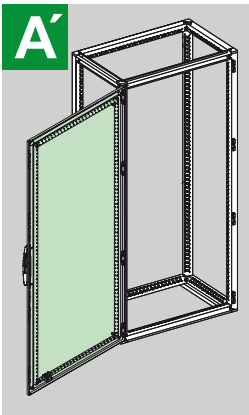
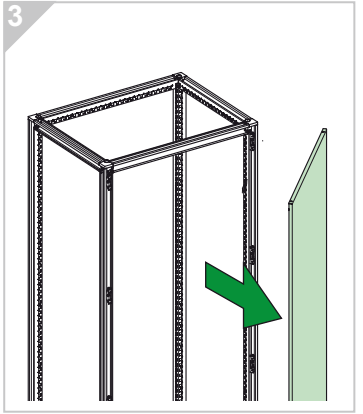
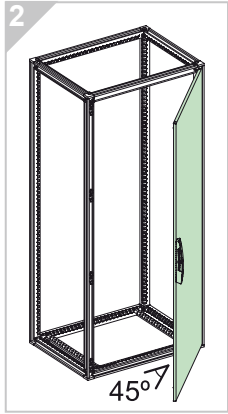
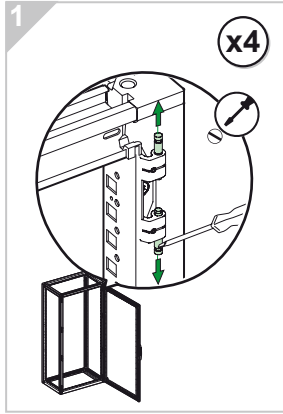
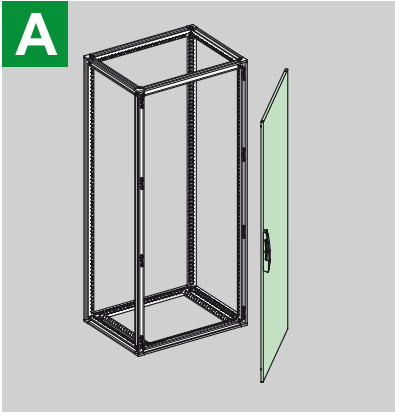
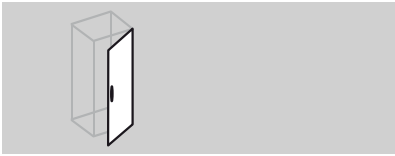
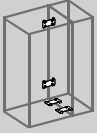


PrismaSeT HD / 6300

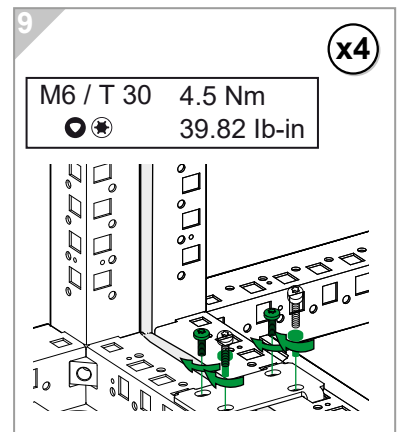
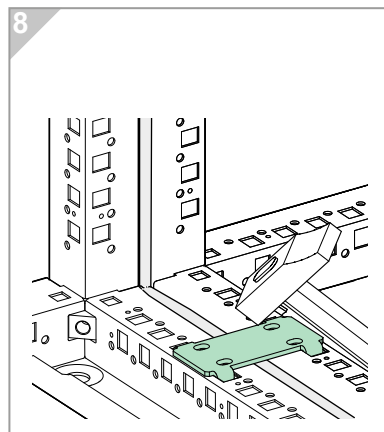
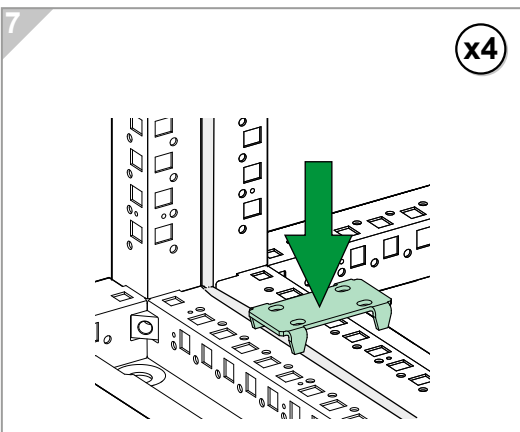
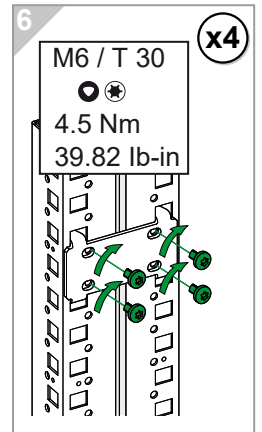
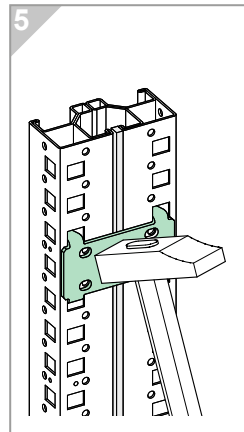
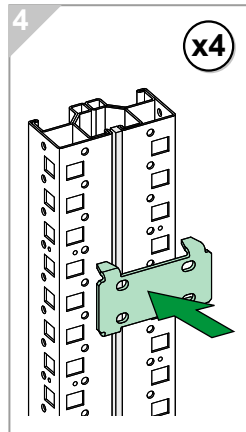
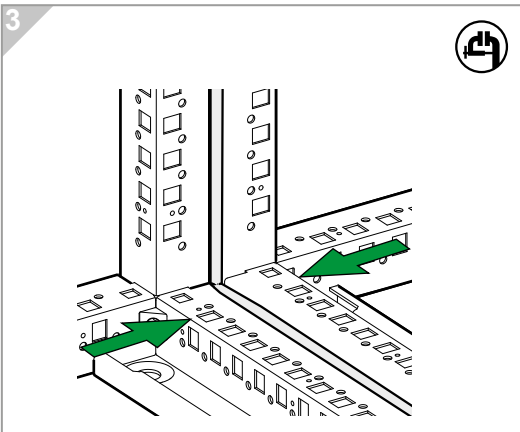
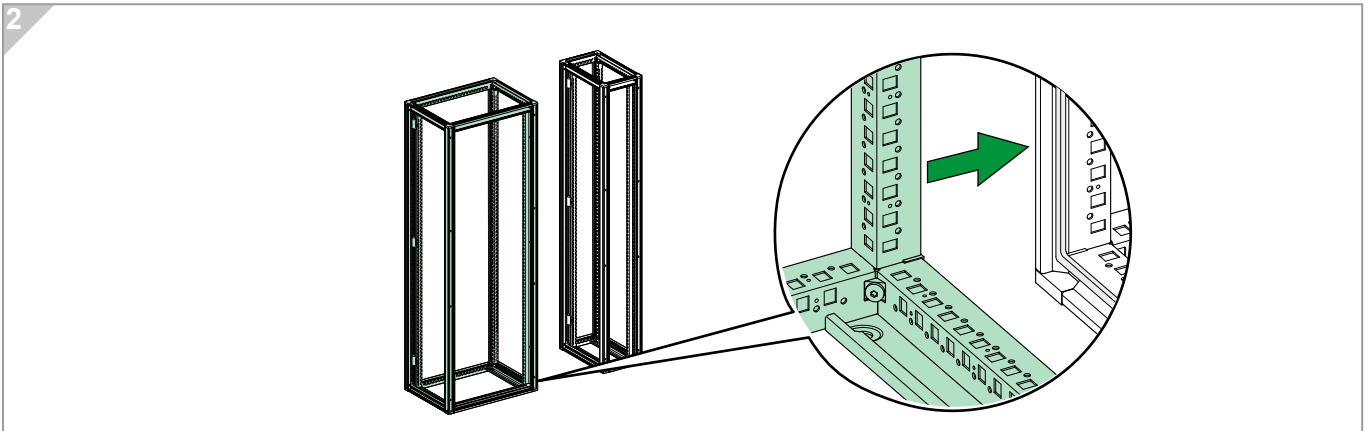
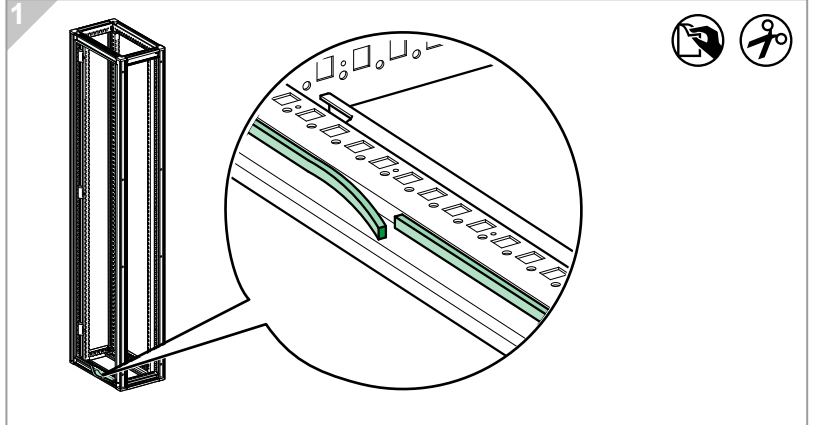






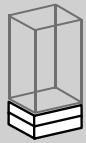
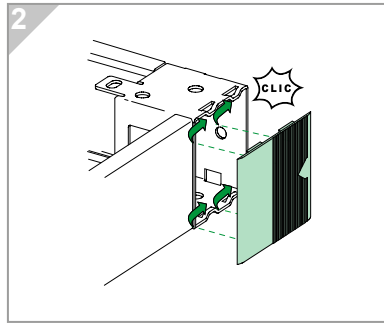
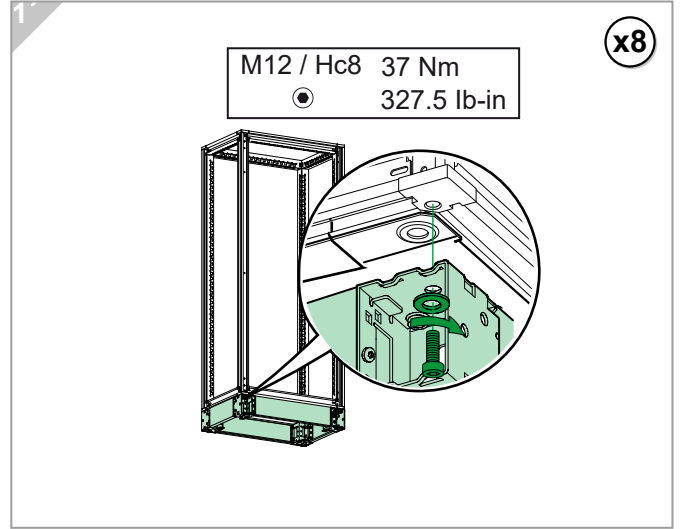
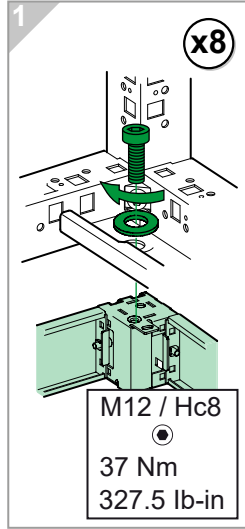
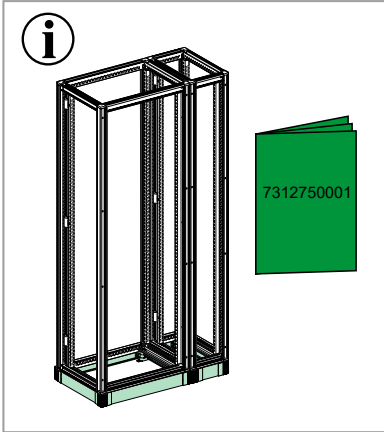
NSYSFBK19

A

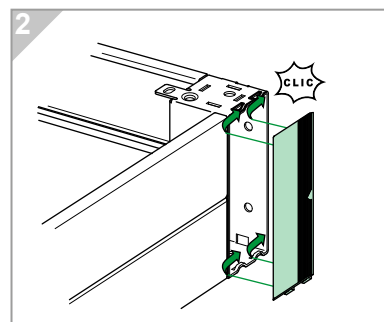
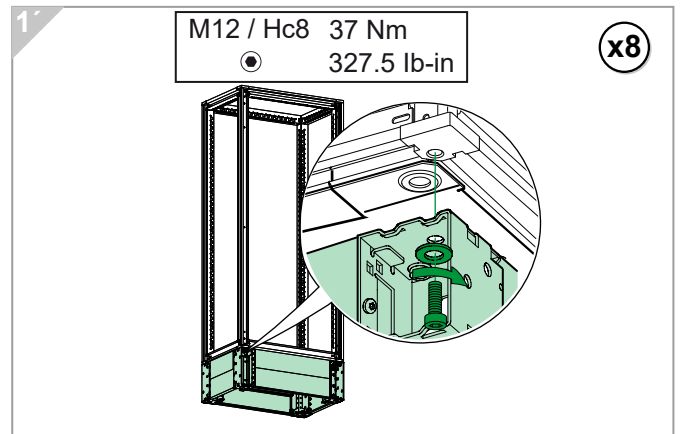
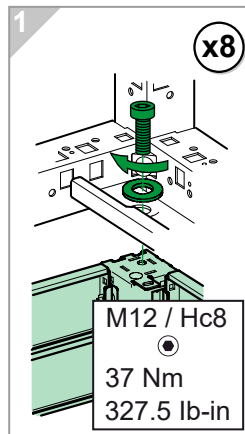
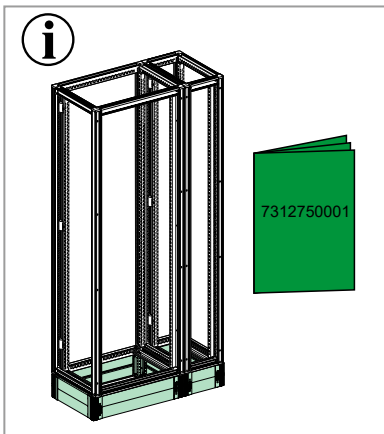


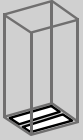


NSYSPF7100 NSYSPS5100
 NSYSPF3100 NSYSPS6100
 NSYSPS8100



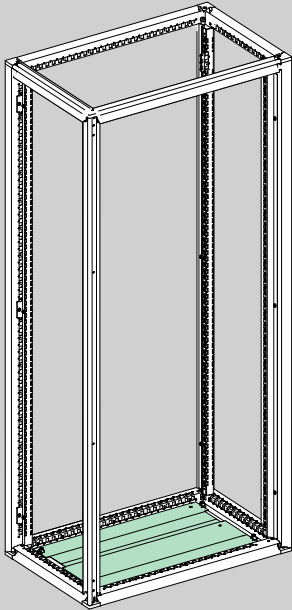
NSYSPF7200 NSYSPS5200
 NSYSPF3200 NSYSPS6200
 NSYSPS8200



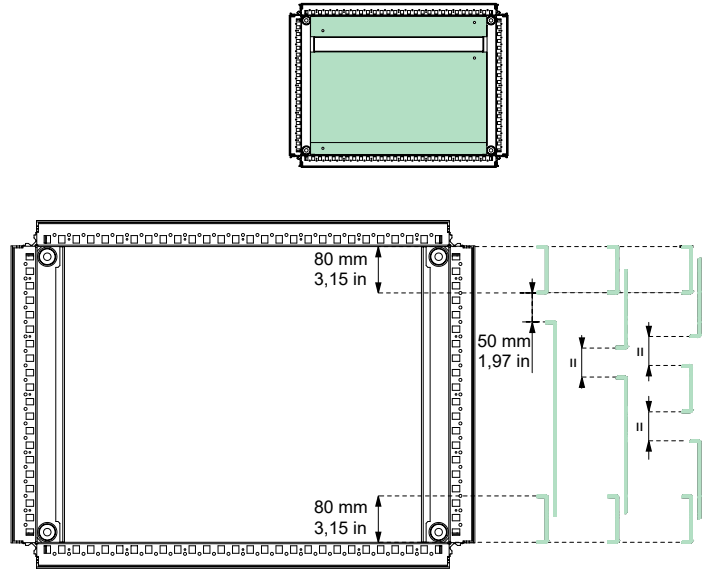


NSYEC751 NSYEC351
NSYEC761 NSYEC361
NSYEC781 NSYEC381

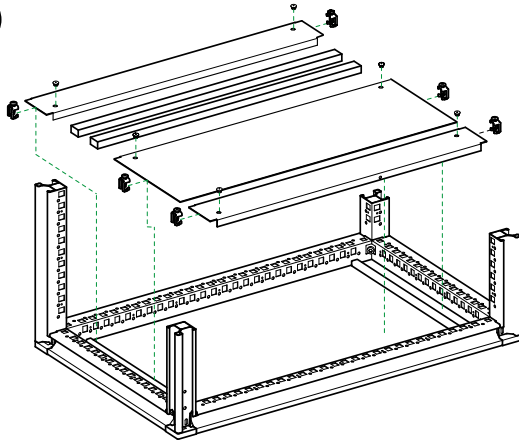
A



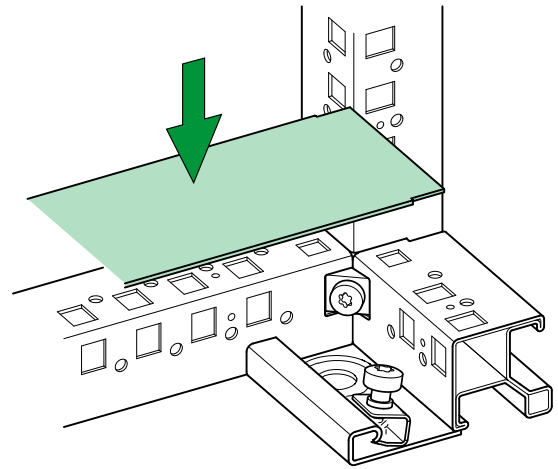
i



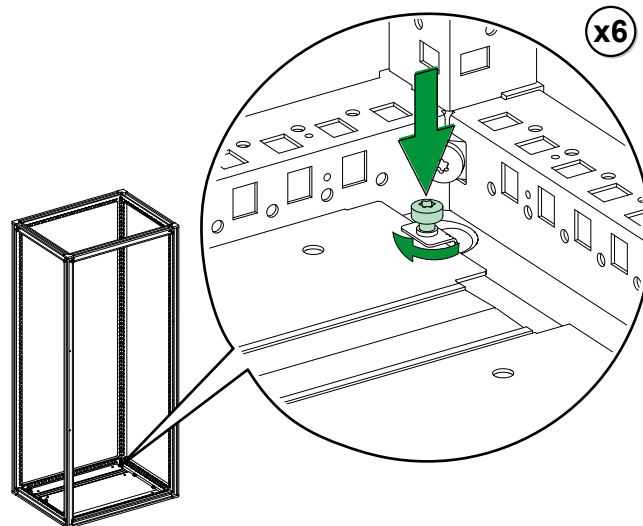
i



1

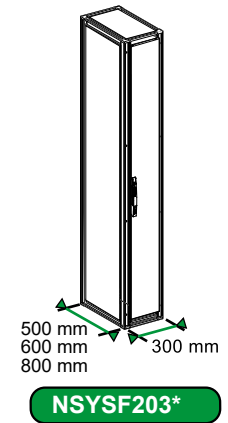
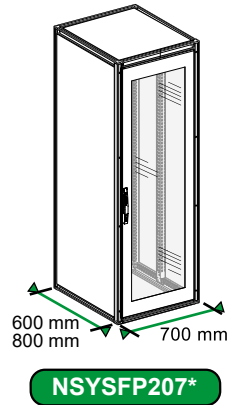
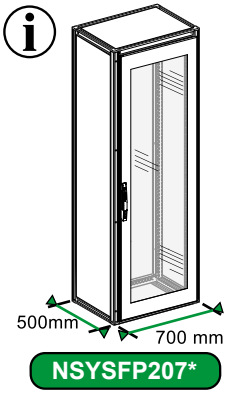


2

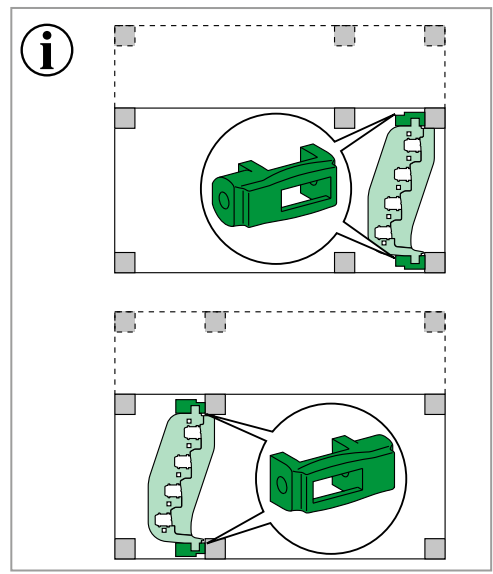
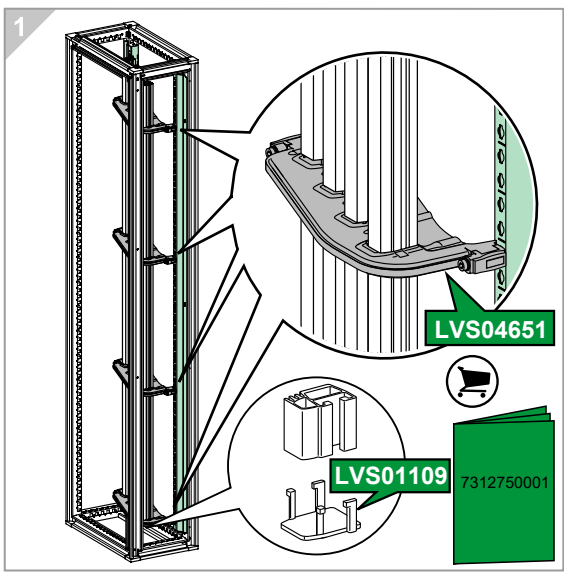
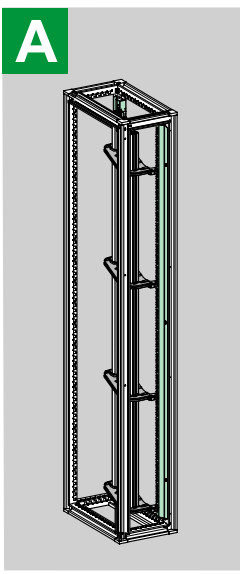
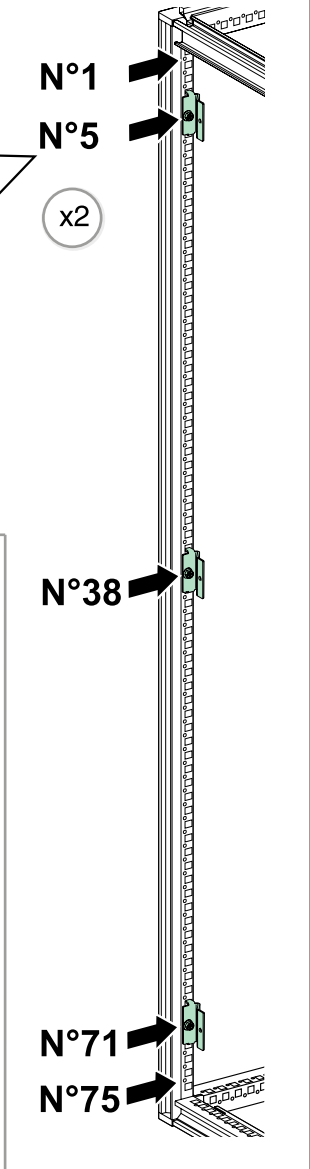
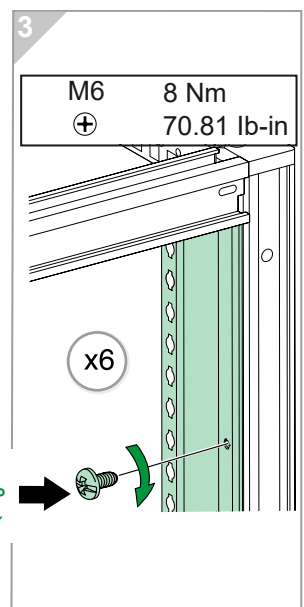
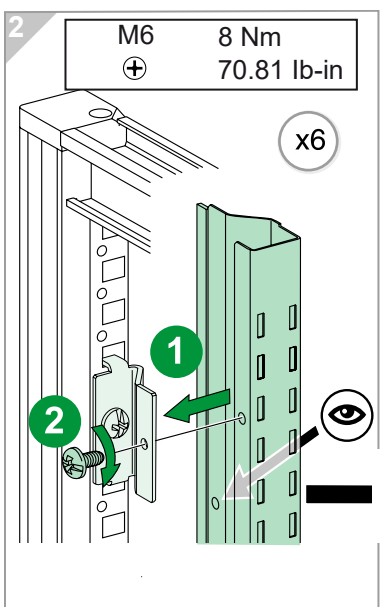
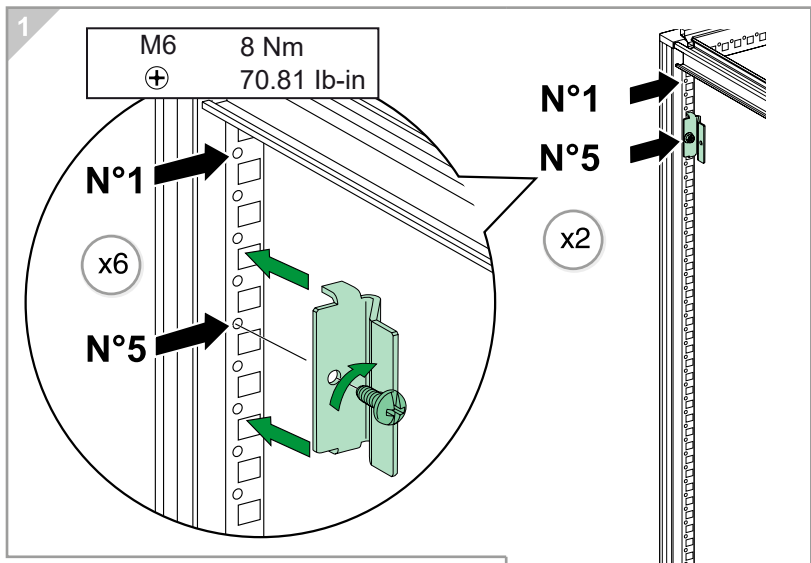
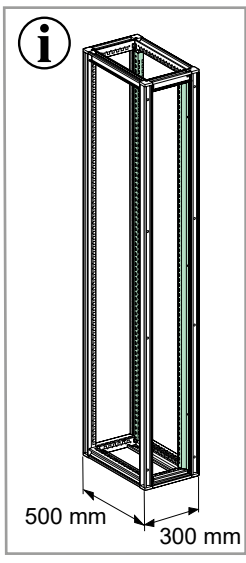


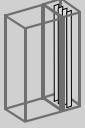
x6

M6 / T 30	2.5 Nm
	22.12 lb-in

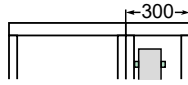
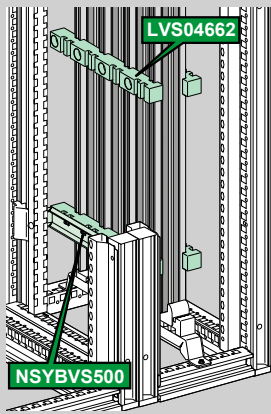


NSYSFPAED

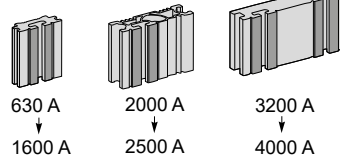




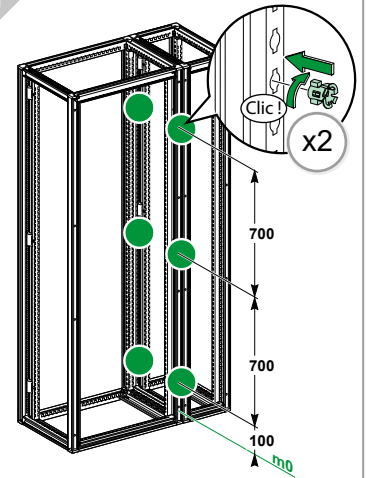
A



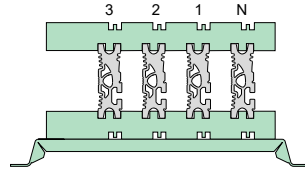
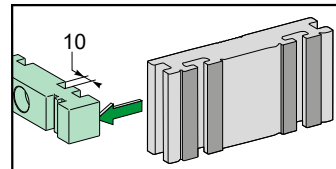
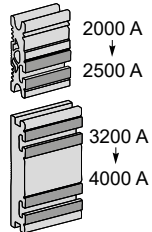
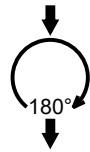
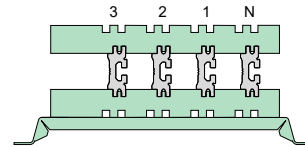
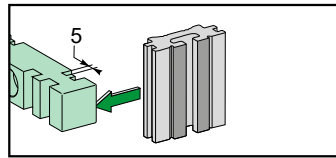
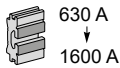
LVS04560 LVS04561 LVS04562 LVS04563 LVS04564	LVS04565 LVS04566	LVS04567 LVS04568
--	----------------------	----------------------



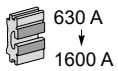
1



NSYBVS500
NSYBVS600 + 800 + 800L

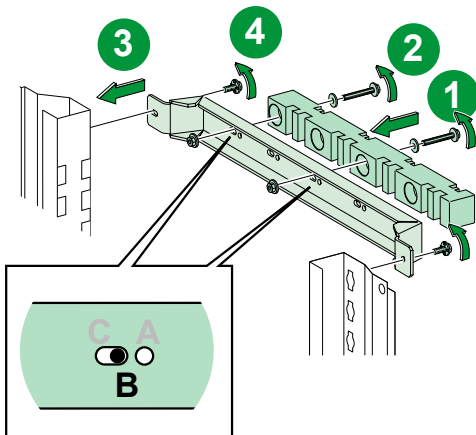


2

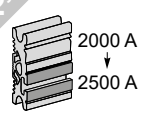


⌀ M6
4 7 Nm
61,96 lb-in

⌀ M6
3 Nm
26,55 lb-in

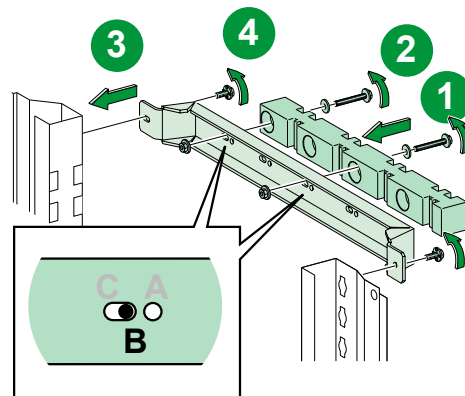


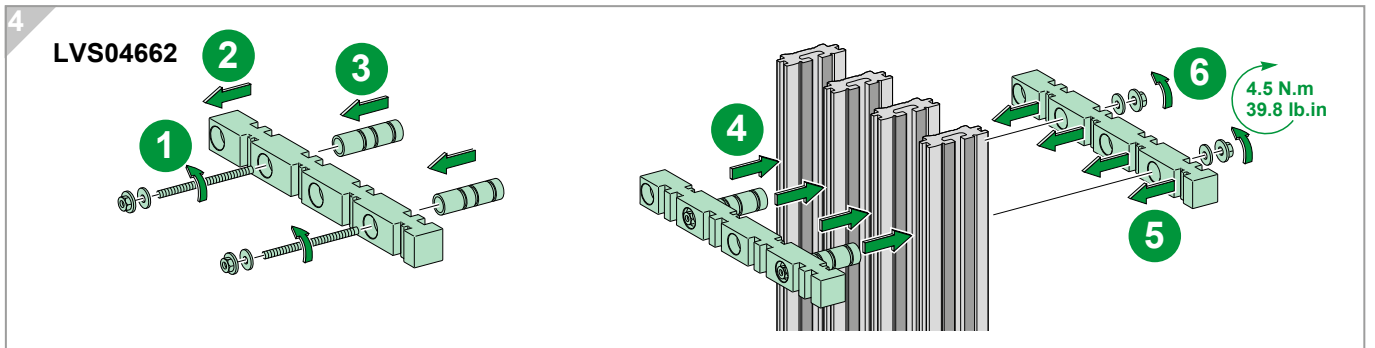
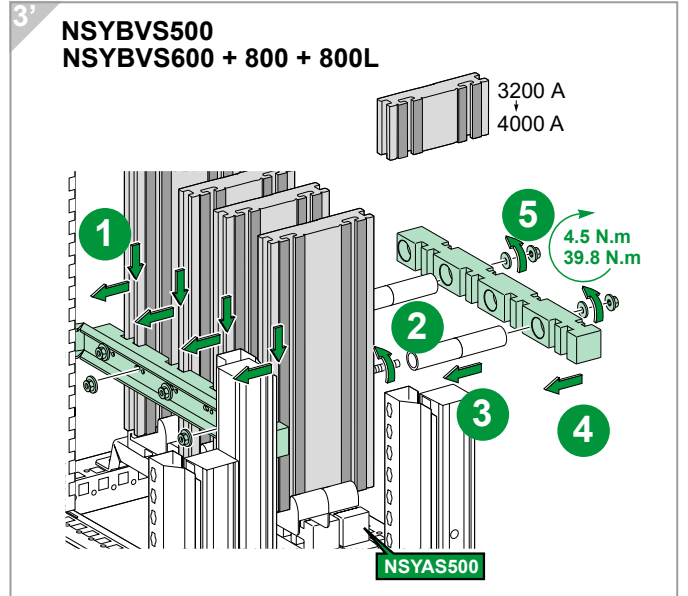
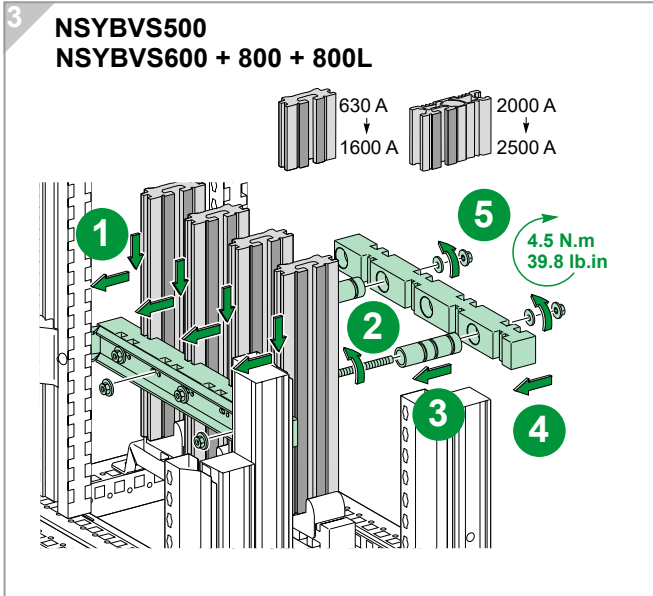
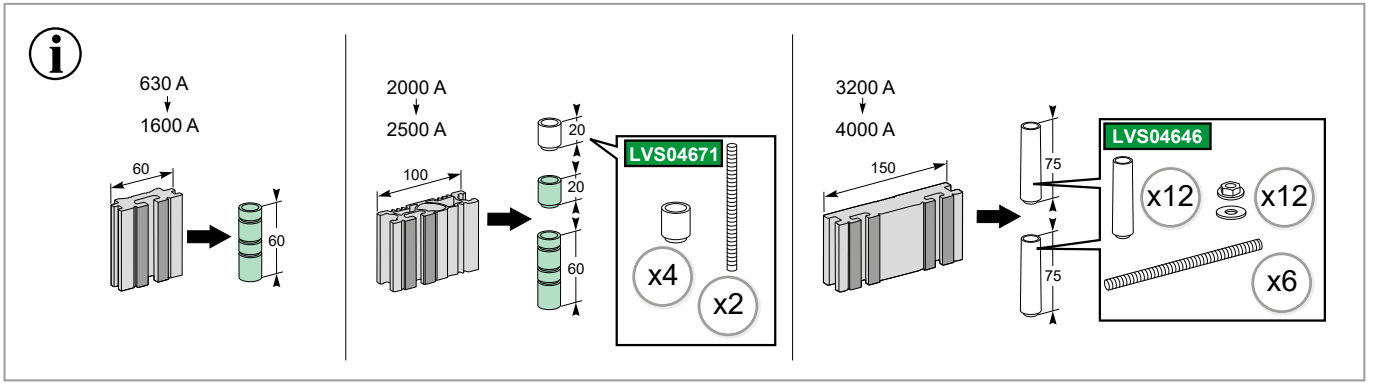
2'



⌀ M6
4 7 Nm
61,96 lb-in

⌀ M6
3 Nm
26,55 lb-in



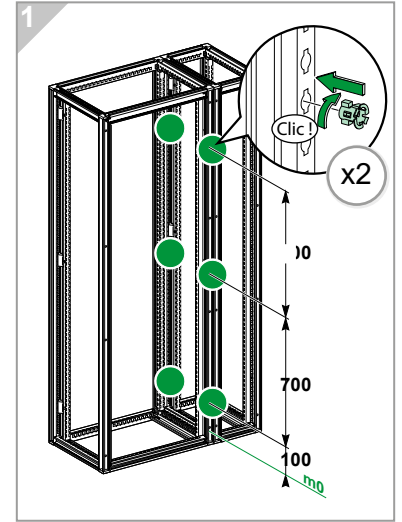
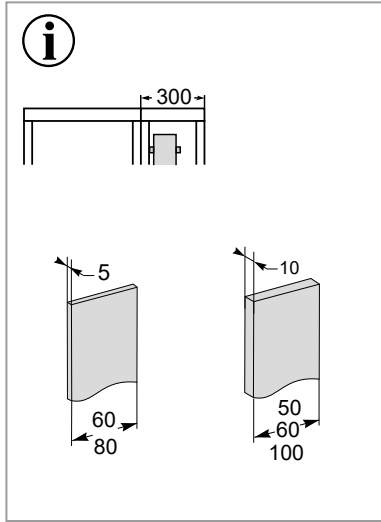
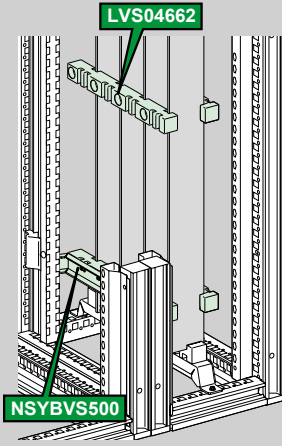


i

		LVS08406 / LVS08407 / LVS08606 / LVS08607												
IP ≤ 31	IP > 31	Icw (kA eff. / 1 s)												
		15	25	30	40	50	60	65	75	85	100			
LVS04560	630 A / 530 A	3	3	3	-	-	-	-	-	-	-	-	-	-
LVS04561	800 A / 680 A	3	3	3	-	-	-	-	-	-	-	-	-	-
LVS04562	1000 A / 850 A	3	3	3	3+2	-	-	-	-	-	-	-	-	-
LVS04563	1250 A / 1050 A	3	3	3	3+2	3+2	3+2	-	-	-	-	-	-	-
LVS04564	1650 A / 1480 A	3	3	3	3+2	3+2	3+2	3+2	3+4	3+4	-	-	-	-
LVS04565	2000 A / 1650 A	3	3	3	3	3	3+2	3+2	3+4	3+4	-	-	-	-
LVS04566	2440 A / 2100 A	3	3	3	3	3	3+2	3+2	3+4	3+4	3+6	-	-	-
LVS04567	3200 A / 2800 A	3	3	3	3	3	3+2	3+2	3+4	3+4	3+6	-	-	-
LVS04568	3620 A / 3350 A	3	3	3	3	3	3+2	3+2	3+4	3+6	-	-	-	-

3 = 3 x NSYBVS500
 3+2 = 3 x NSYBVS500 + 2 x LVS04662
 3+4 = 3 x NSYBVS500 + 4 x LVS04662
 3+6 = 3 x NSYBVS500 + 6 x LVS04662

A'



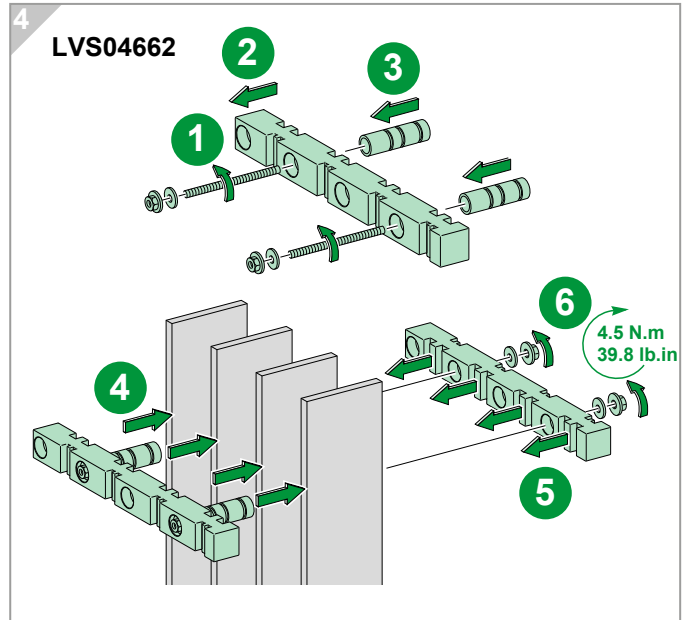
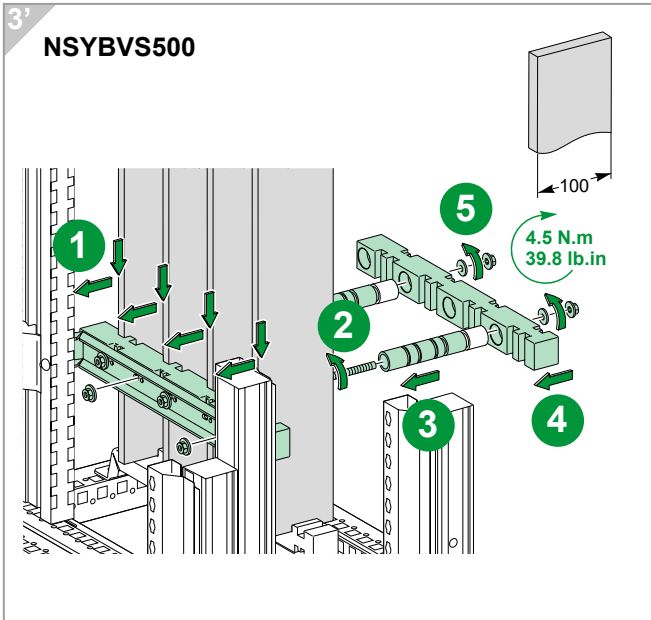
2 NSYBVS500
NSYBVS600 + 800 + 800L

M6 4 7 Nm 61,96 lb-in	M6 3 Nm 26,55 lb-in
-----------------------------	---------------------------

2' NSYBVS500
NSYBVS600 + 800 + 800L

M6 4 7 Nm 61,96 lb-in	M6 3 Nm 26,55 lb-in
-----------------------------	---------------------------

3 NSYBVS500
NSYBVS600 + 800 + 800L



	IP ≤ 31	IP > 31	Icw (kA eff. / 1 s)				
			15	25	30	40	50
60 x 5	800 A	750 A	3	3+2	3+2	3+4	-
80 x 5	1000 A	900 A	3	3+2	3+2	3+4	3+4

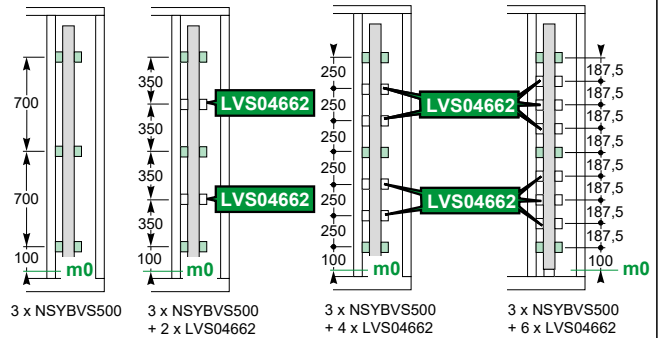
60 x 5	1400 A	1250 A	3	3+2	3+2	3+2	3+4
80 x 5	1800 A	1600 A	3	3	3+2	3+2	3+4

3 = 3 x NSYBVS500
 3+2 = 3 x NSYBVS500 + 2 x LVS04662
 3+4 = 3 x NSYBVS500 + 4 x LVS04662
 NSYBVS800L + LVS04678

	IP ≤ 31	IP > 31	Icw (kA eff. / 1 s)							
			25	30	40	50	60	65	75	85
50 x 10	1200 A	1080 A	3	3+2	3+2	3+2	3+4	3+4	-	-
60 x 10	1400 A	1250 A	3	3+2	3+2	3+2	3+4	3+4	3+6	-
80 x 10	1800 A	1600 A	3	3+2	3+2	3+2	3+4	3+4	3+6	-
100 x 10	2150 A	1900 A	3	3	3+2	3+2	3+2	3+2	3+4	3+4

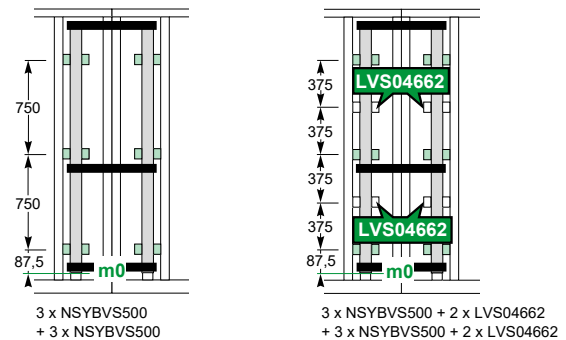
50 x 10	2050 A	1850 A	3	3+2	3+2	3+2	3+4	3+4	3+4	-
60 x 10	2300 A	2000 A	3	3+2	3+2	3+2	3+4	3+4	3+4	3+4
80 x 10	2820 A	2500 A	3	3	3+2	3+2	3+2	3+2	3+4	3+4
100 x 10	3300 A	2900 A	3	3	3+2	3+2	3+2	3+2	3+4	3+4

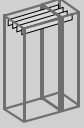
3 = 3 x NSYBVS500
 3+2 = 3 x NSYBVS500 + 2 x LVS04662
 3+4 = 3 x NSYBVS500 + 4 x LVS04662
 3+6 = 3 x NSYBVS500 + 6 x LVS04662



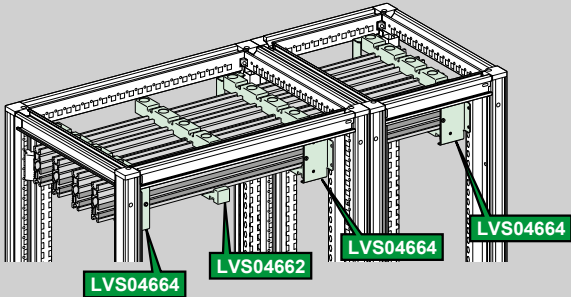
	IP ≤ 31	IP > 31	Icw (kA eff. / 1 s)			
			25	50	60	85
80 x 10	3200 A	2820 A	2 x 3		2 x (3+2)	

2x3 = 3 x NSYBVS500 + 3 x LVS04661
 2x(3+2) = 3 x NSYBVS500 + 2 x LVS04662
 + 3 x NSYBVS500 + 2 x LVS04662



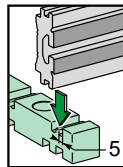


A



i LVS04664

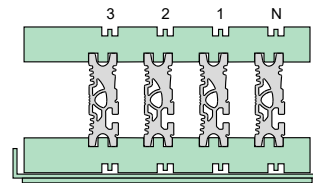
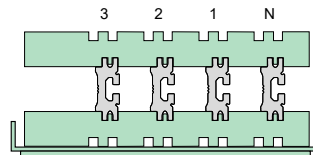
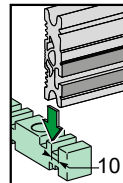
630 A
↓
1600 A



180°

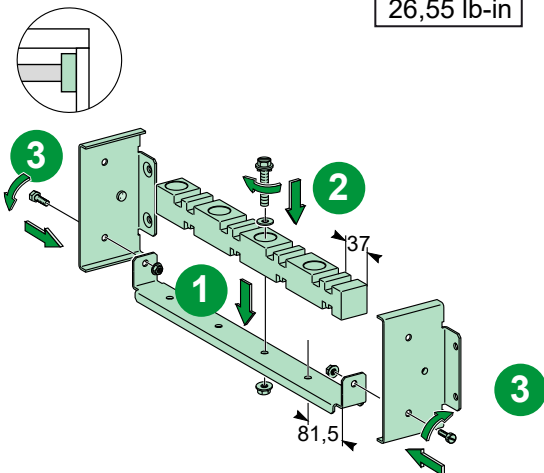
2000 A
↓
2500 A

3200 A
↓
4000 A



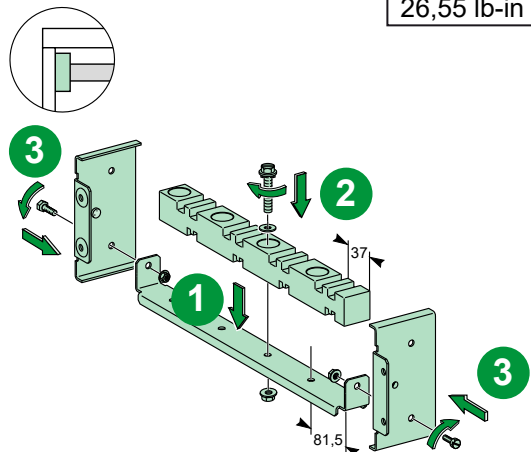
1 LVS04664

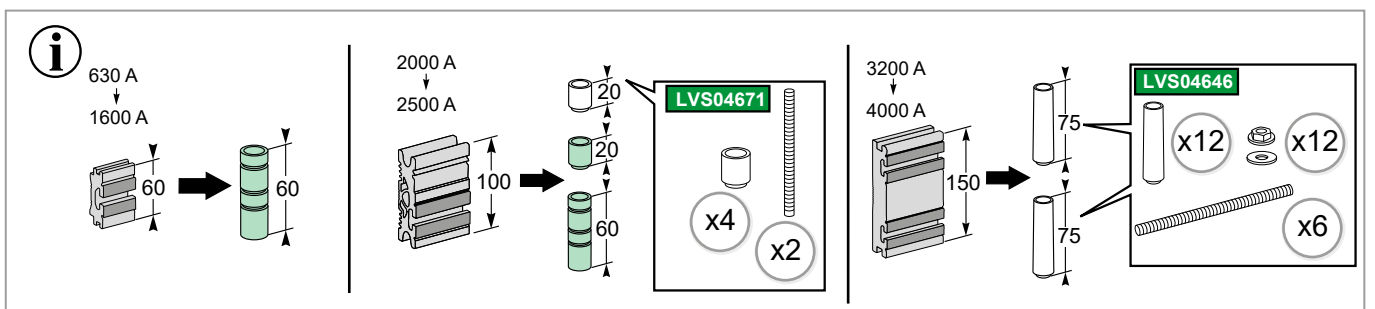
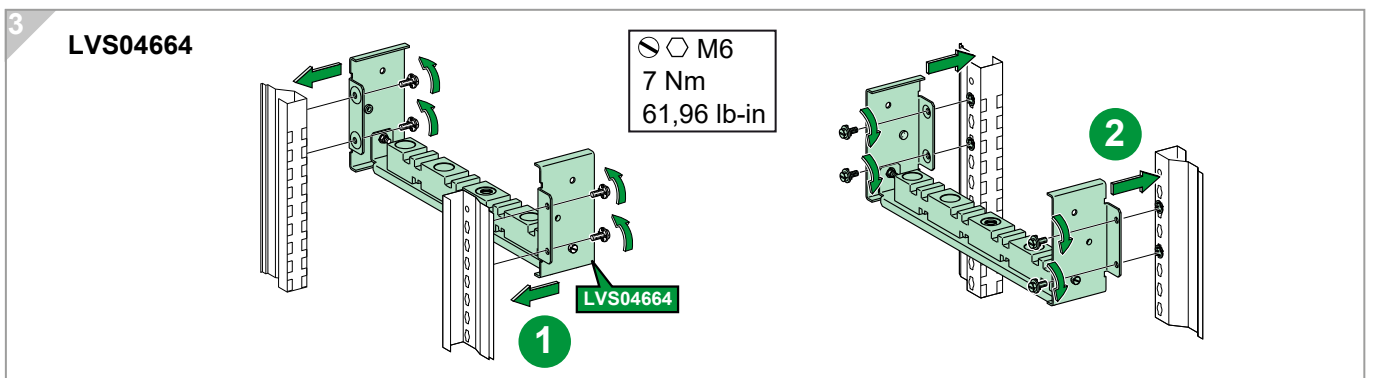
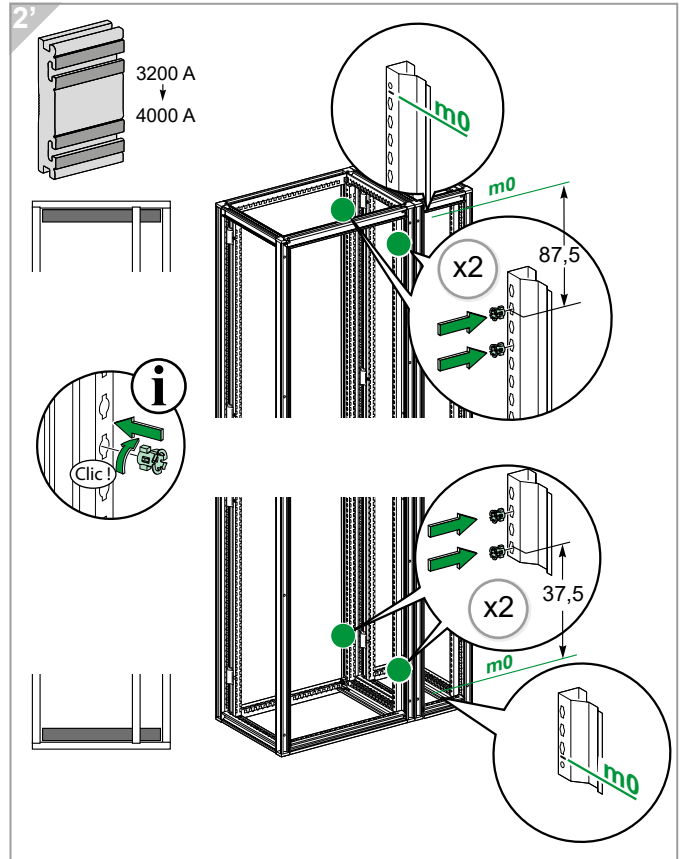
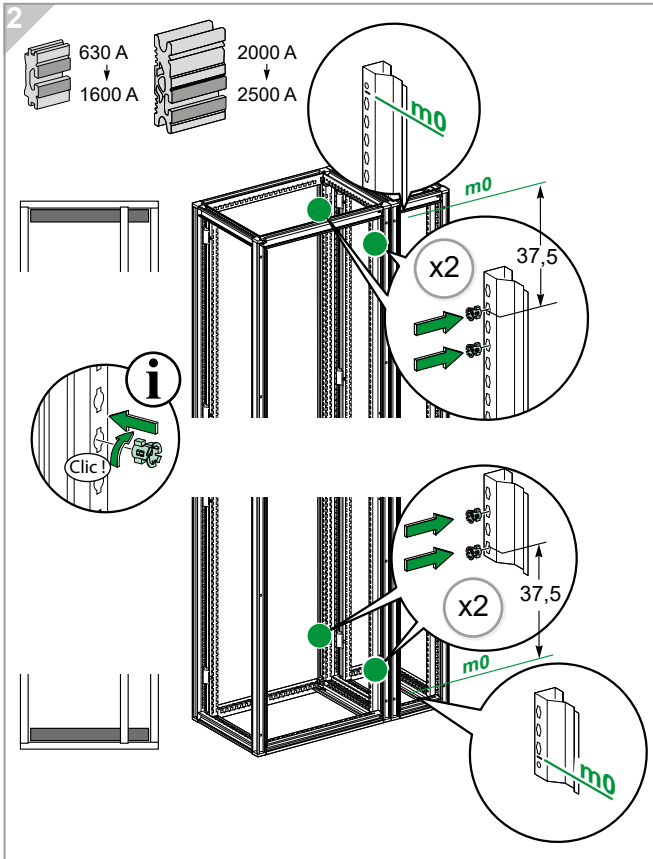
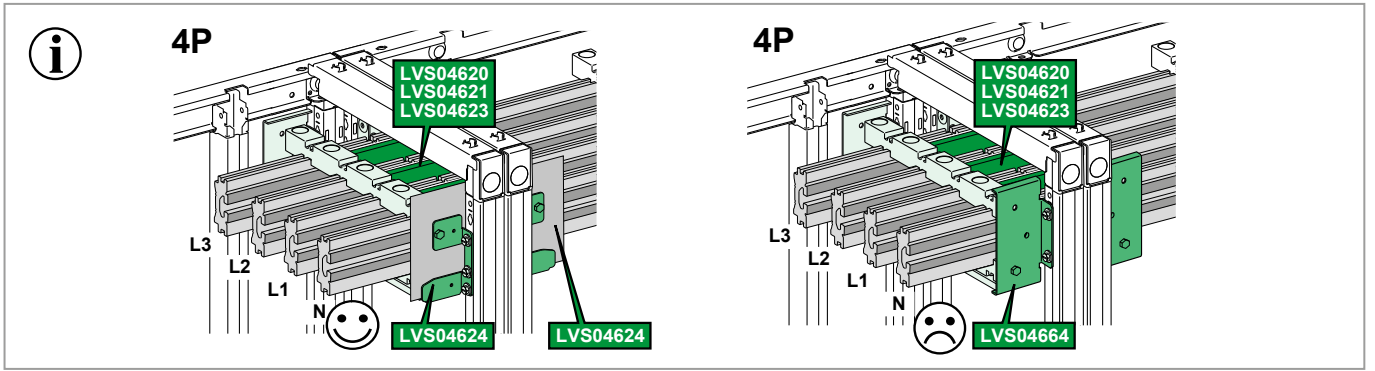
⌀ M6
3 Nm
26,55 lb-in

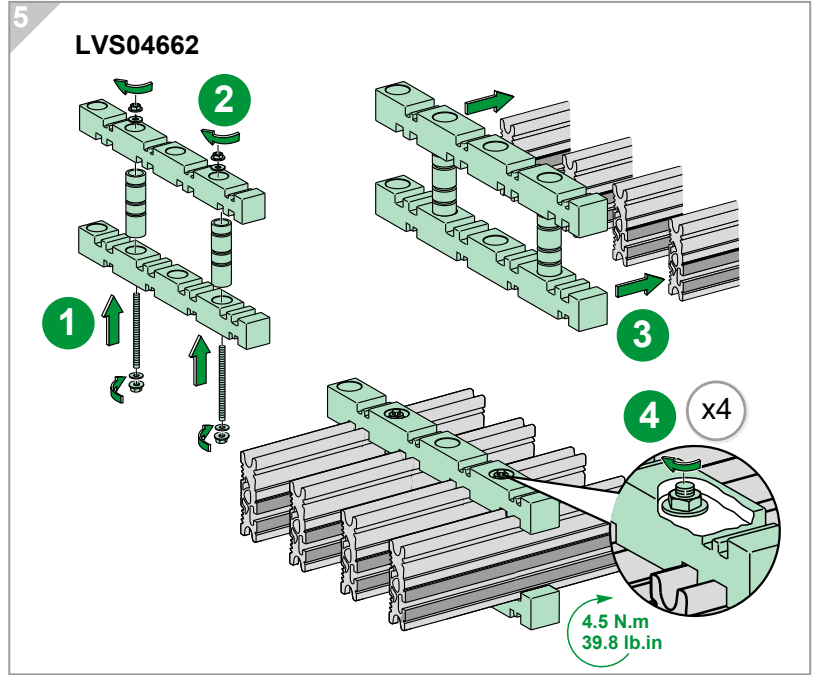
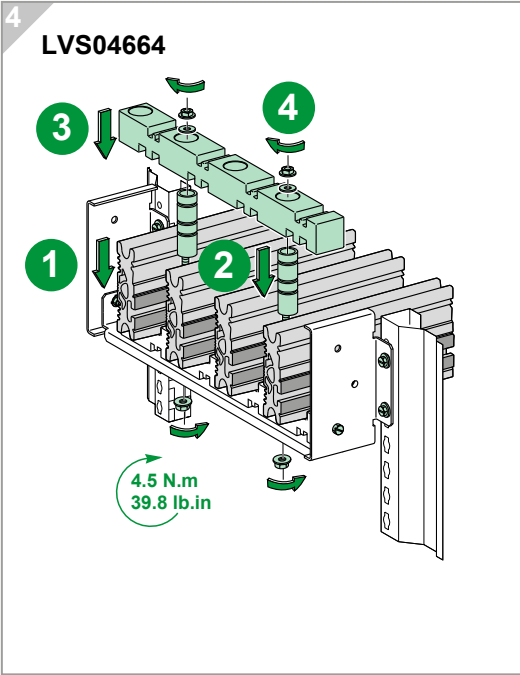


1' LVS04664

⌀ M6
3 Nm
26,55 lb-in







LVS08406 / LVS08407 / LVS08606 / LVS08607

	IP ≤ 31	IP > 31	Icw (kA eff. / 1 s)												
			15	25	30	40	50	60	65	75	85				
LVS04560	630 A	530 A	2	2	2	-	-	-	-	-	-	-	-	-	-
LVS04561	800 A	680 A	2	2	2	-	-	-	-	-	-	-	-	-	-
LVS04562	1000 A	850 A	2	2	2	2	-	-	-	-	-	-	-	-	-
LVS04563	1250 A	1050 A	2	2	2	2	2	2	2	2+1	-	-	-	-	-
LVS04564	1650 A	1480 A	2	2	2	2	2	2	2+1	2+1	2+1	2+1	2+1	2+1	2+1

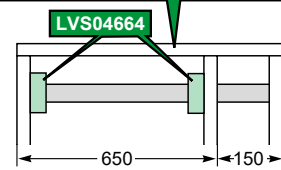
2 = 2 x LVS04664
2+1 = 2 x LVS04664 + 1 x LVS04662

LVS08406 / LVS08407 / LVS08606 / LVS08607

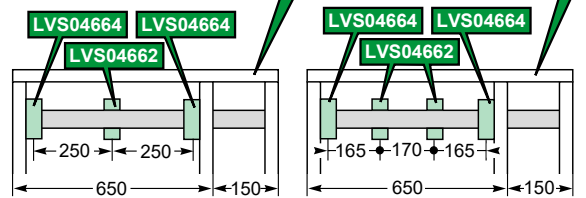
	IP ≤ 31	IP > 31	Icw (kA eff. / 1 s)												
			15	25	30	40	50	60	65	75	85	100			
LVS04565	2000 A	1650 A	2	2	2	2	2	2	2	2+1	2+1	2+1	2+2		
LVS04566	2440 A	2100 A	2	2	2	2	2	2	2	2+1	2+1	2+1	2+2		
LVS04567	3200 A	2800 A	2	2	2	2	2	2	2	2+1	2+1	2+1	2+2		
LVS04568	3620 A	3350 A	2	2	2	2	2	2	2	2+1	2+1	2+1	2+2		

2 = 2 x LVS04664
2+1 = 2 x LVS04664 + 1 x LVS04662
2+2 = 2 x LVS04664 + 2 x LVS04662

LVS08406 / LVS08407 / LVS08606 / LVS08607



LVS08406 / LVS08407 / LVS08606 / LVS08607



	Icw (kA eff. / 1 s)											
	15	25	30	40	50	60	65	75	85			
LVS04560 / LVS04561 / LVS04562 / LVS04563 / LVS04564												

LVS08403 / LVS08603

1	1	1	1	1	1	1	1+1	1+1	1+1
---	---	---	---	---	---	---	-----	-----	-----

LVS08404 / LVS08604

1	1	1	1	1	1	1+1	1+1	1+1	1+1
---	---	---	---	---	---	-----	-----	-----	-----

1 = 1 x LVS04664
1+1 = 1 x LVS04664 + 1 x LVS04662

	Icw (kA eff. / 1 s)										
	15	25	30	40	50	60	65	75	85	100	
LVS04565 / LVS04566 / LVS04567 / LVS04568											

LVS08403 / LVS08603

1	1	1	1	1	1	1	1+1	1+1	1+1	1+1
---	---	---	---	---	---	---	-----	-----	-----	-----

LVS08404 / LVS08604

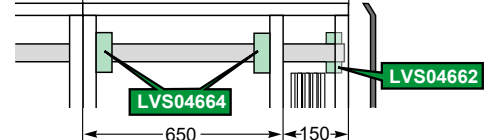
1	1	1	1	1	1	1+1	1+1	1+1	1+1	1+1
---	---	---	---	---	---	-----	-----	-----	-----	-----

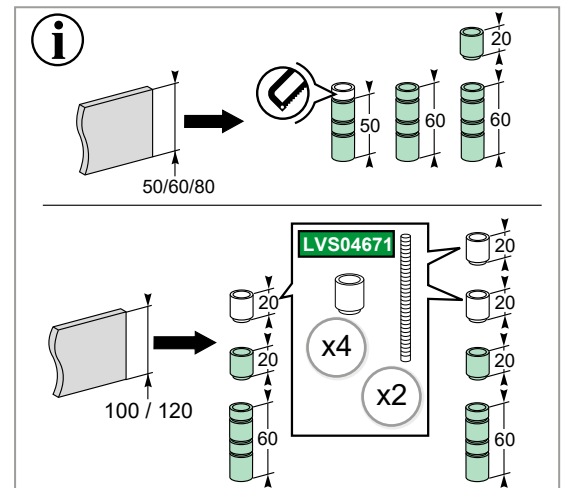
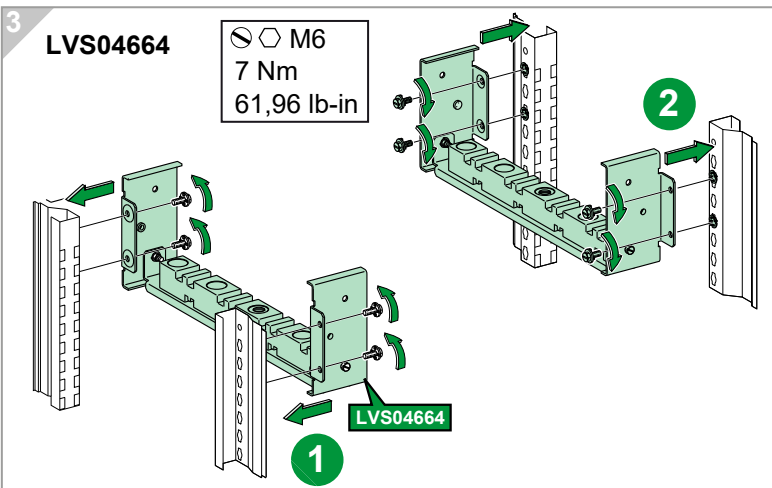
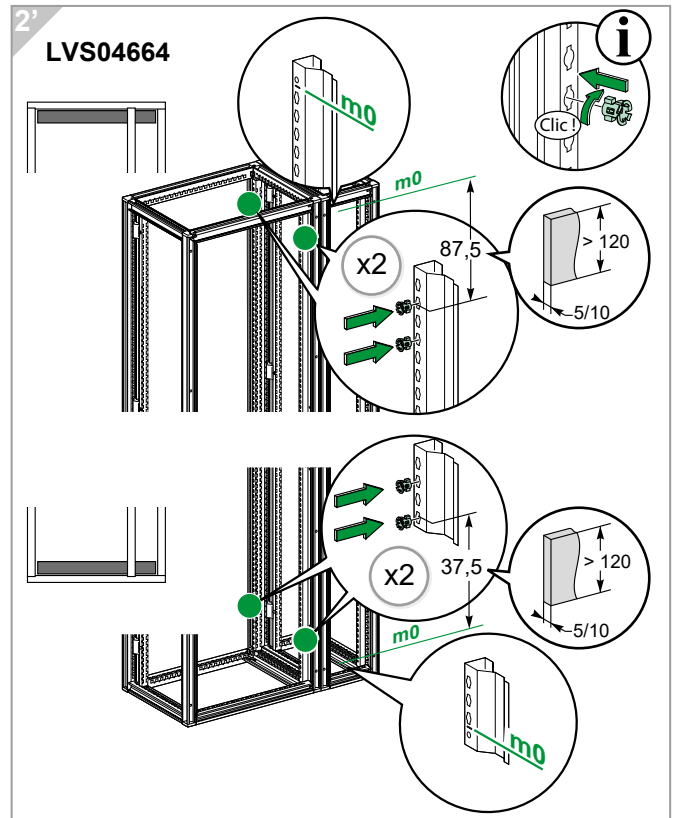
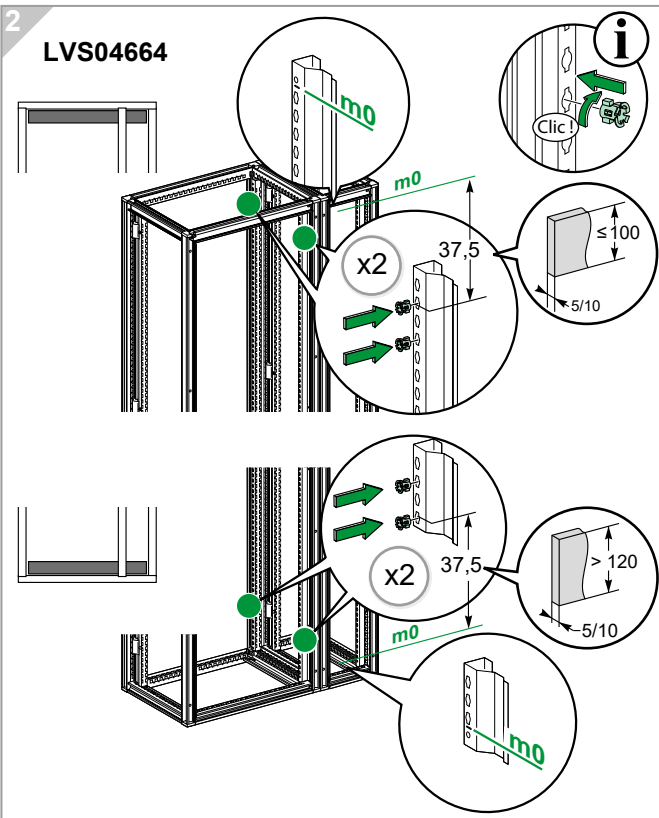
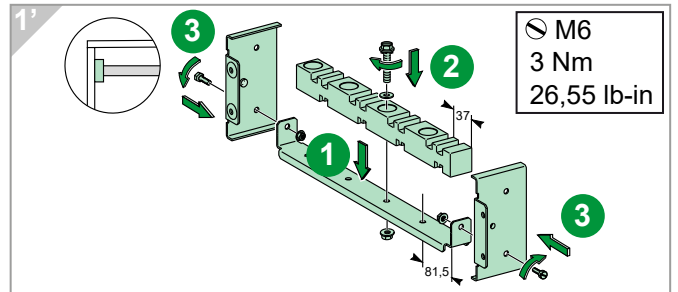
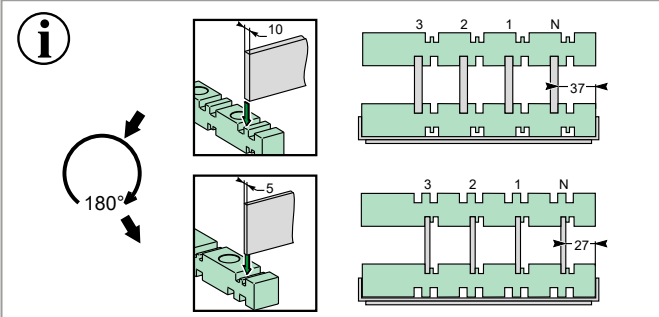
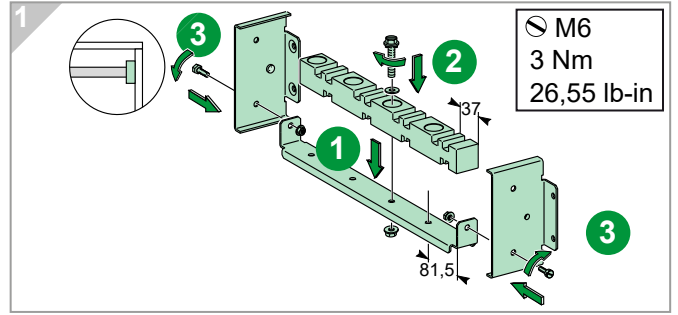
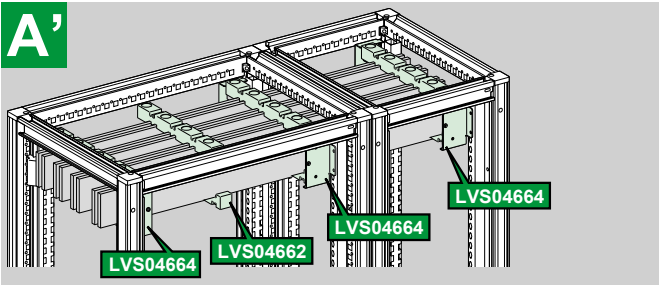
1 = 1 x LVS04664
1+1 = 1 x LVS04664 + 1 x LVS04662

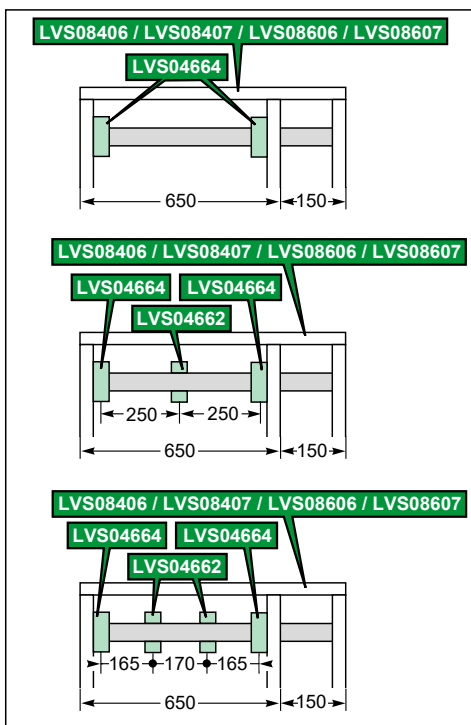
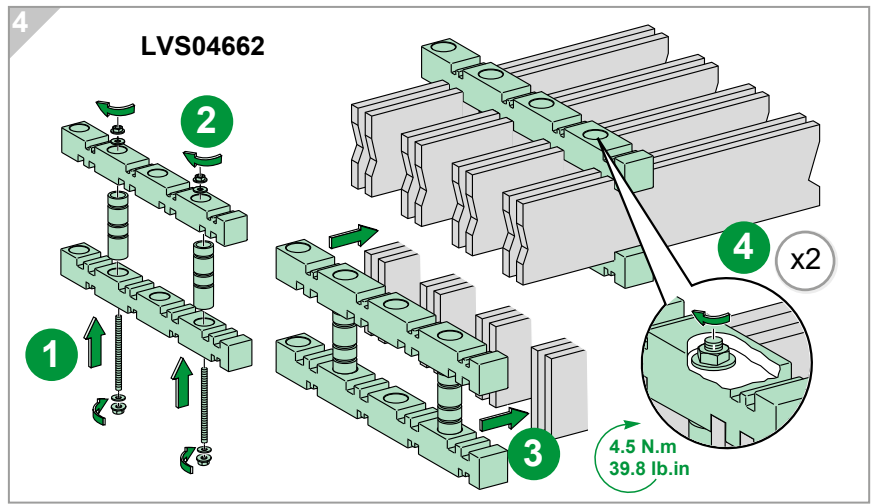
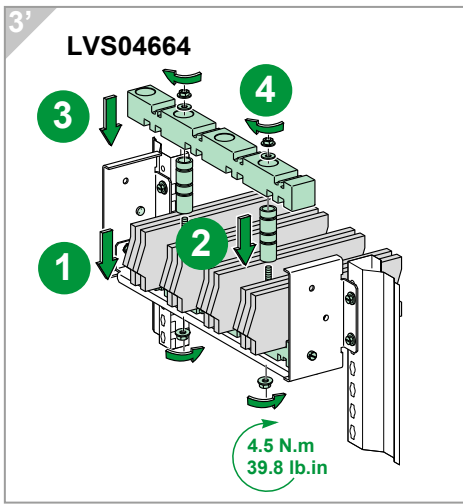
LVS08403 / LVS08404 / LVS08603 / LVS08604



LVS08403 / LVS08404 / LVS08603 / LVS08604







LVS08406 / LVS08407 / LVS08606 / LVS08607

IP	IP ≤ 31		IP > 31				
	15	25	30	40	50		
60 x 5	800 A	750 A	2	2+1	2+1	2+1	-
80 x 5	1000 A	900 A	2	2	2+1	2+1	2+1

LVS08406 / LVS08407 / LVS08606 / LVS08607

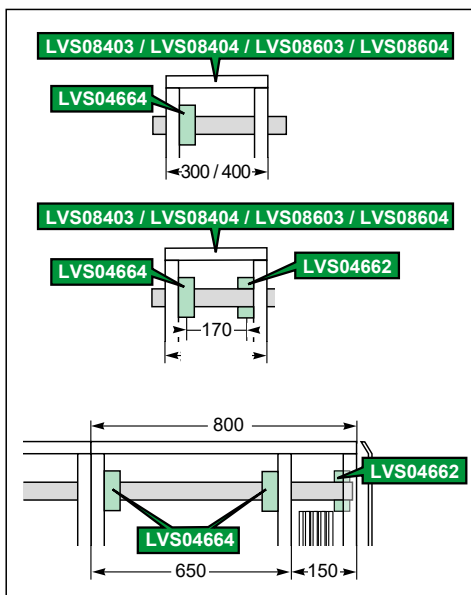
IP	IP ≤ 31		IP > 31							
	25	30	40	50	60	65	75	85		
60 x 5	1400 A	1250 A	2	2	2	2+1	2+1			
80 x 5	1800 A	1600 A	2	2	2	2+1	2+1			

2 = 2 x LVS04664
2+1 = 2 x LVS04664 + 1 x LVS04662

LVS08406 / LVS08407 / LVS08606 / LVS08607

IP	IP ≤ 31		IP > 31							
	25	30	40	50	60	65	75	85		
50 x 10	2050 A	1850 A	2	2	2	2+1	2+1	2+1	2+1	-
60 x 10	2300 A	2000 A	2	2	2	2+1	2+1	2+1	2+1	2+1
80 x 10	2820 A	2500 A	2	2	2	2+1	2+1	2+1	2+1	2+1
100 x 10	3300 A	2900 A	2	2	2	2+1	2+1	2+1	2+1	2+1

2 = 2 x LVS04664
2+1 = 2 x LVS04664 + 1 x LVS04662
2+2 = 2 x LVS04664 + 2 x LVS04662



LVS08403 / LVS08603

IP	IP ≤ 31					IP > 31		
	15	25	30	40	50	60	65	75
5	1		1	1+1	1+1			

LVS08404 / LVS08604

IP	IP ≤ 31					IP > 31		
	15	25	30	40	50	60	65	75
5	1	1	1+1	1+1	1+1			

1 = 1 x LVS04664
1+1 = 1 x LVS04664 + 1 x LVS04662

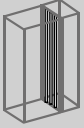
LVS08403 / LVS08603

IP	IP > 31							
	25	30	40	50	60	65	75	85
10	1	1	1	1	1+1	1+1	1+1	1+1

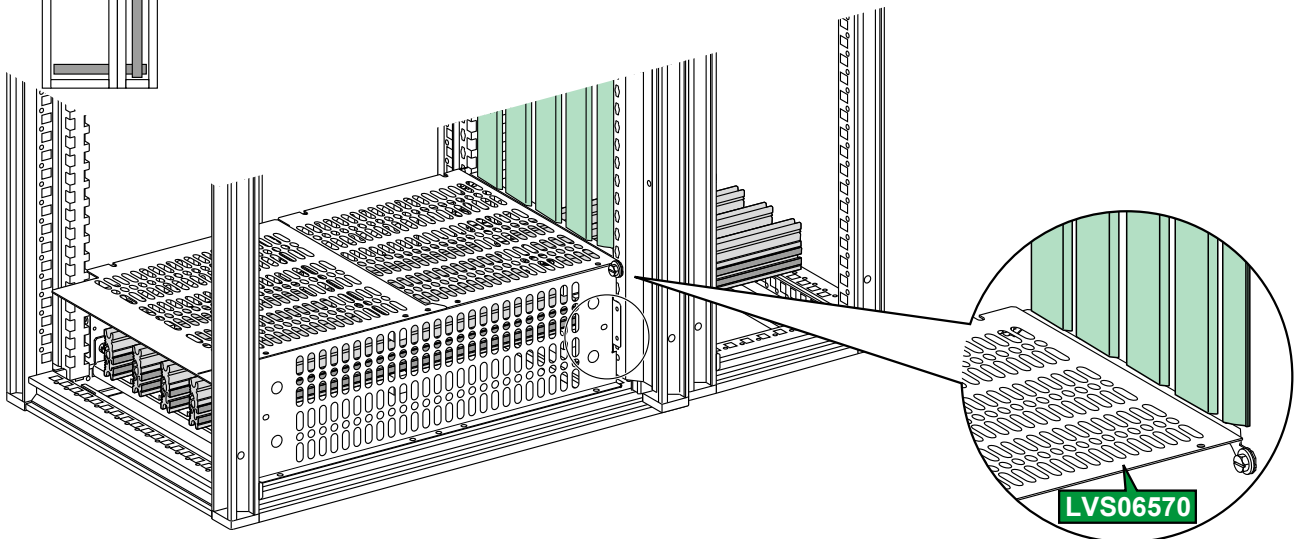
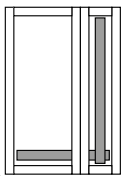
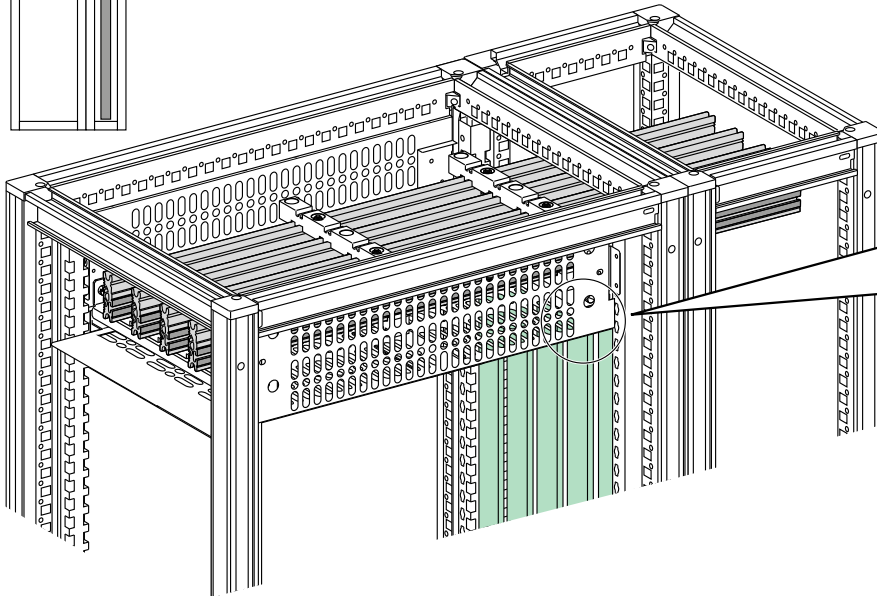
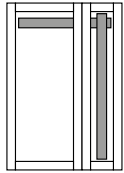
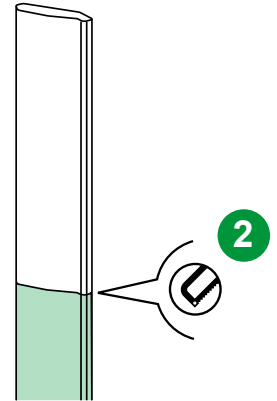
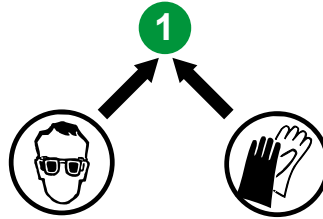
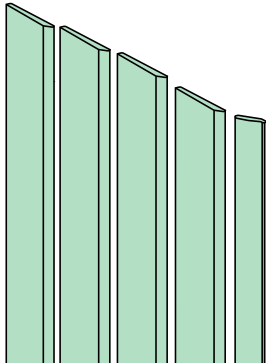
LVS08404 / LVS08604

IP	IP > 31							
	25	30	40	50	60	65	75	85
10	1	1	1	1+1	1+1	1+1	1+1	1+1

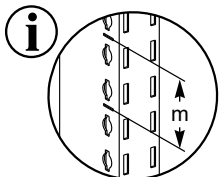
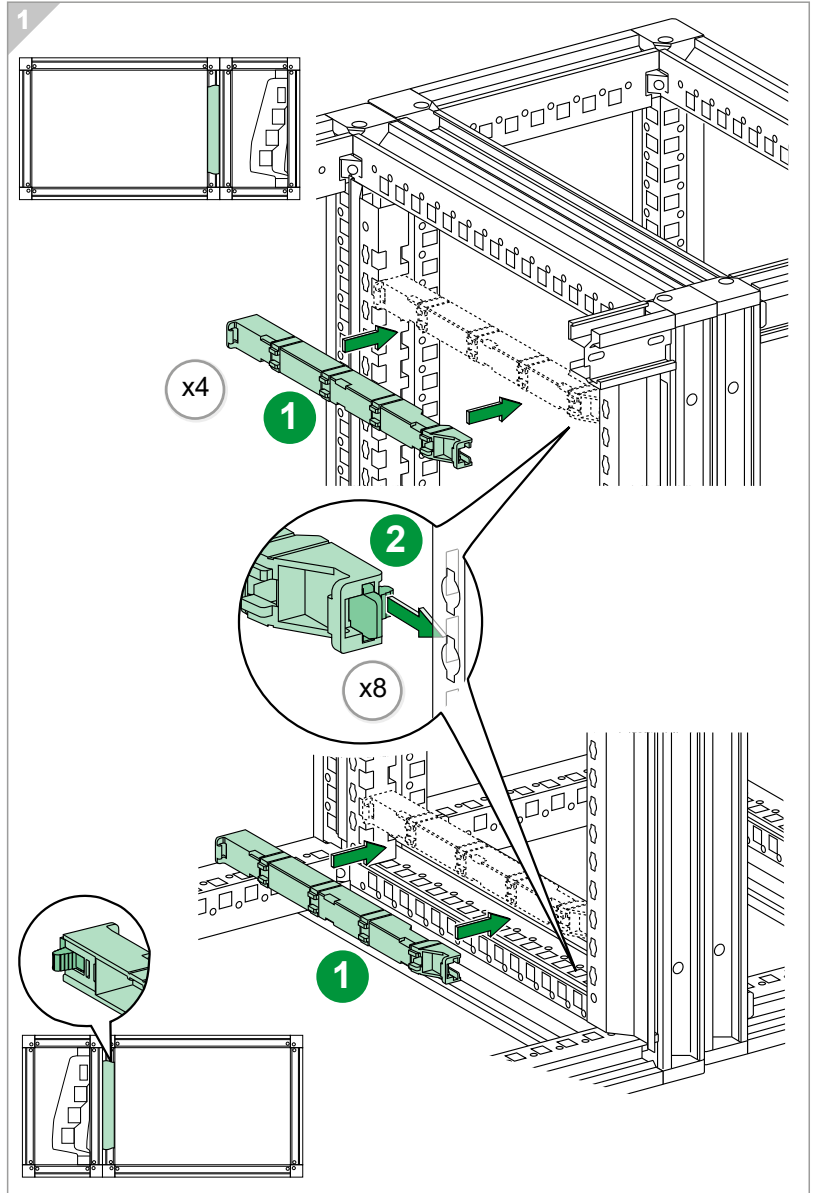
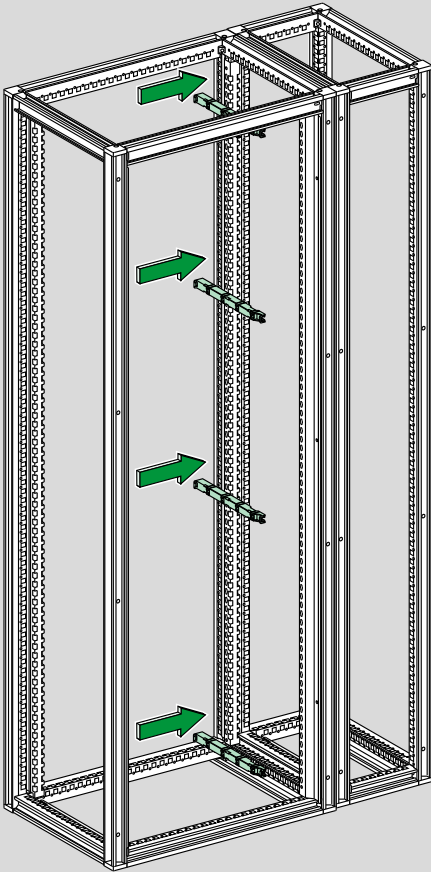
1 = 1 x LVS04664
1+1 = 1 x LVS04664 + 1 x LVS04662



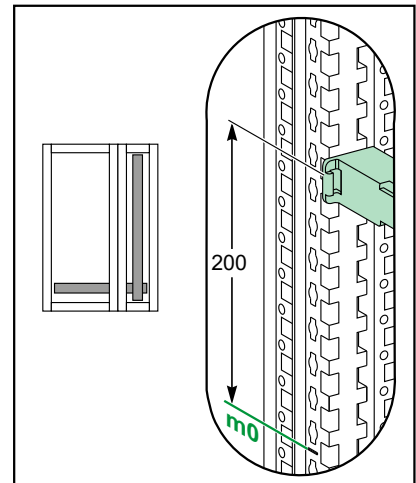
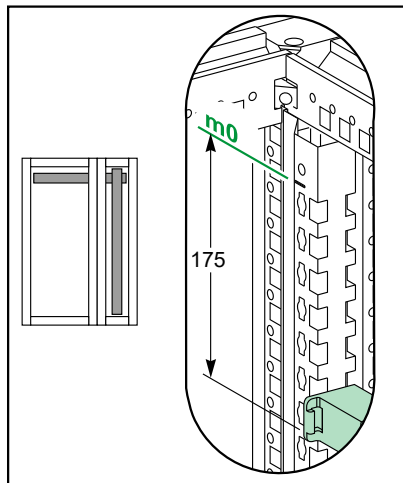
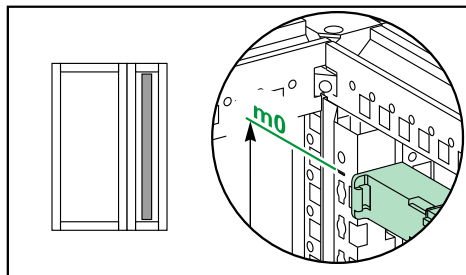
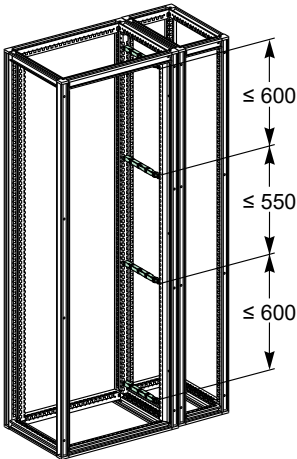
LVS06545

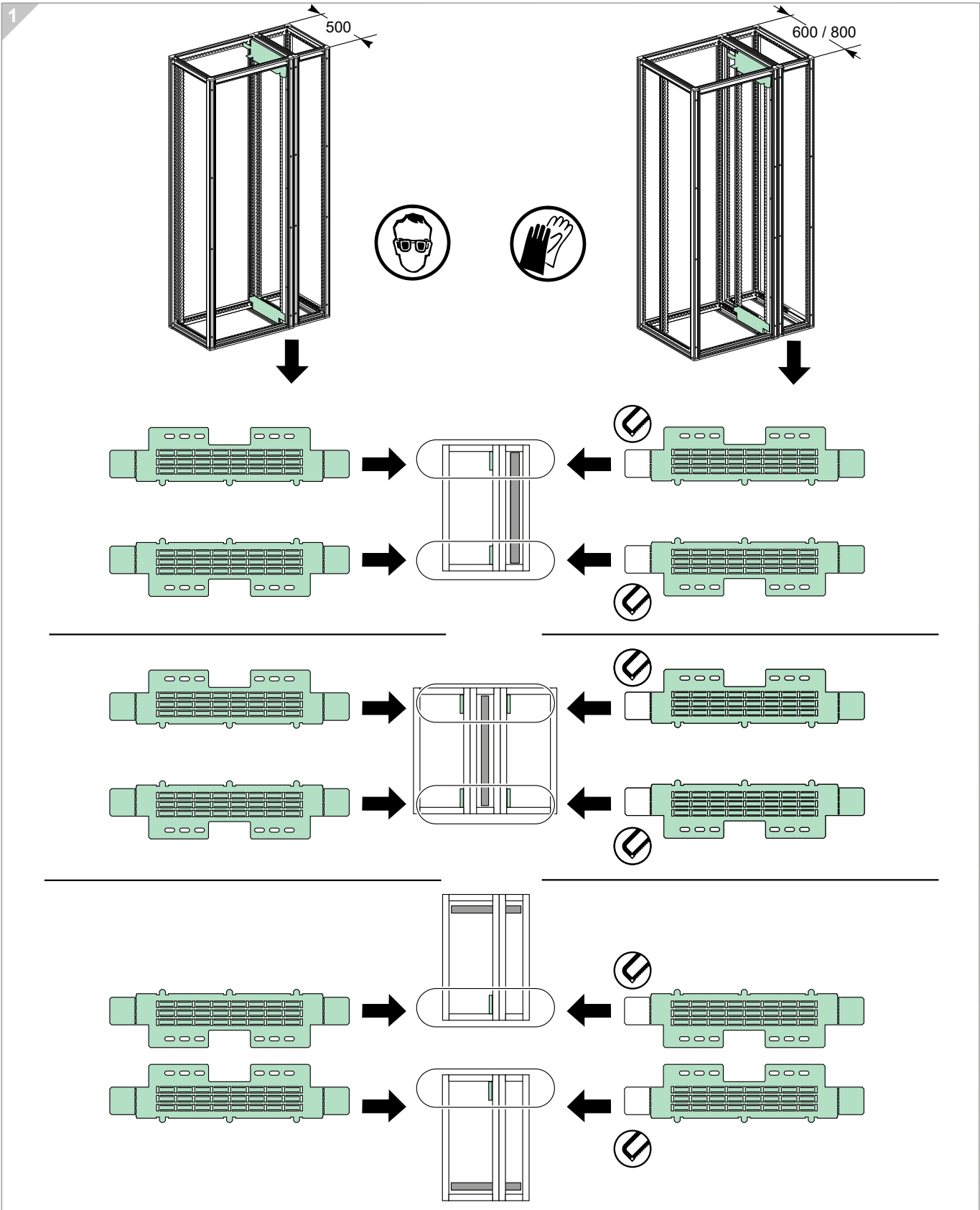
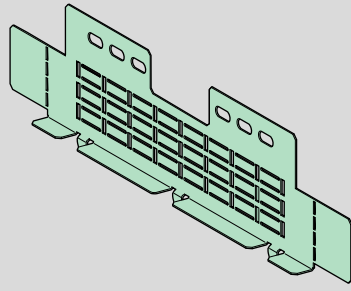


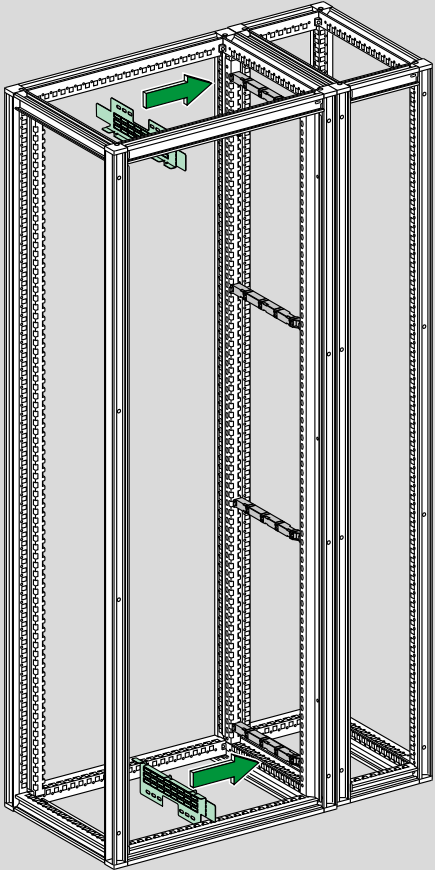
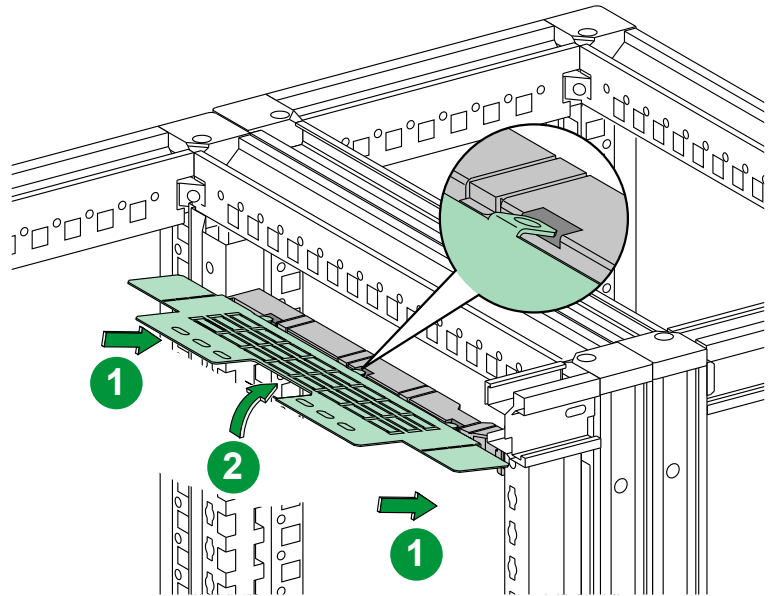
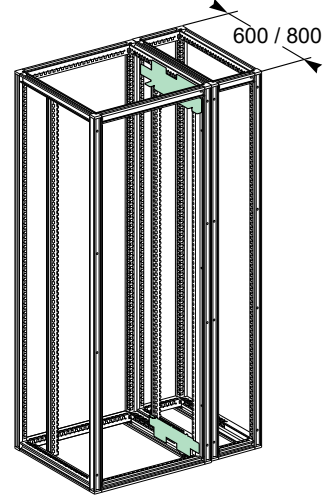
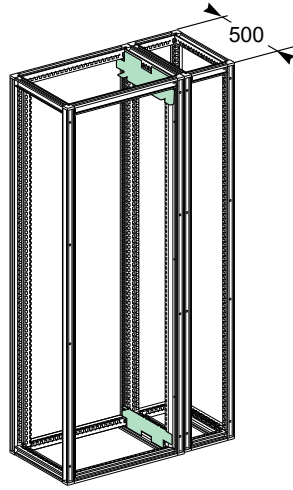
B LVS06545



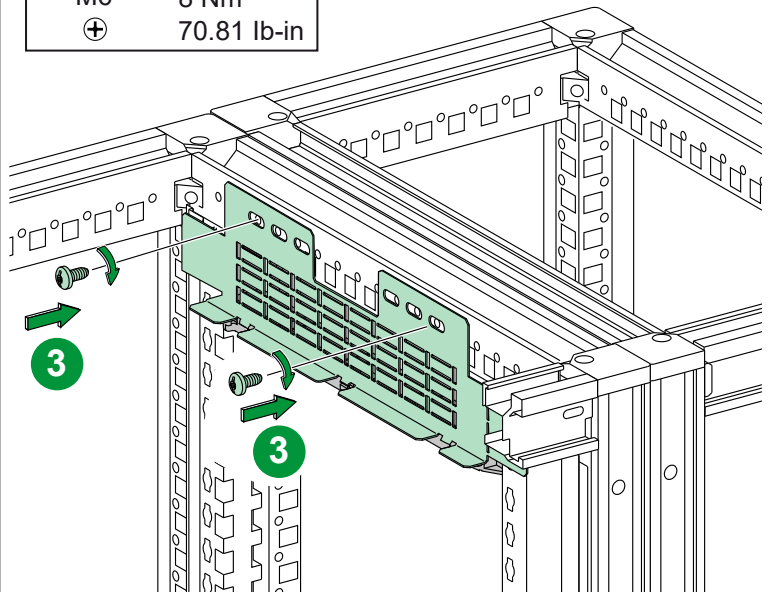
m = 50 mm

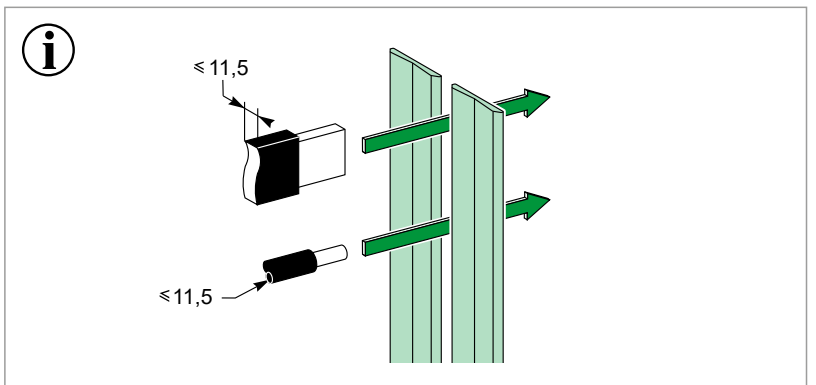
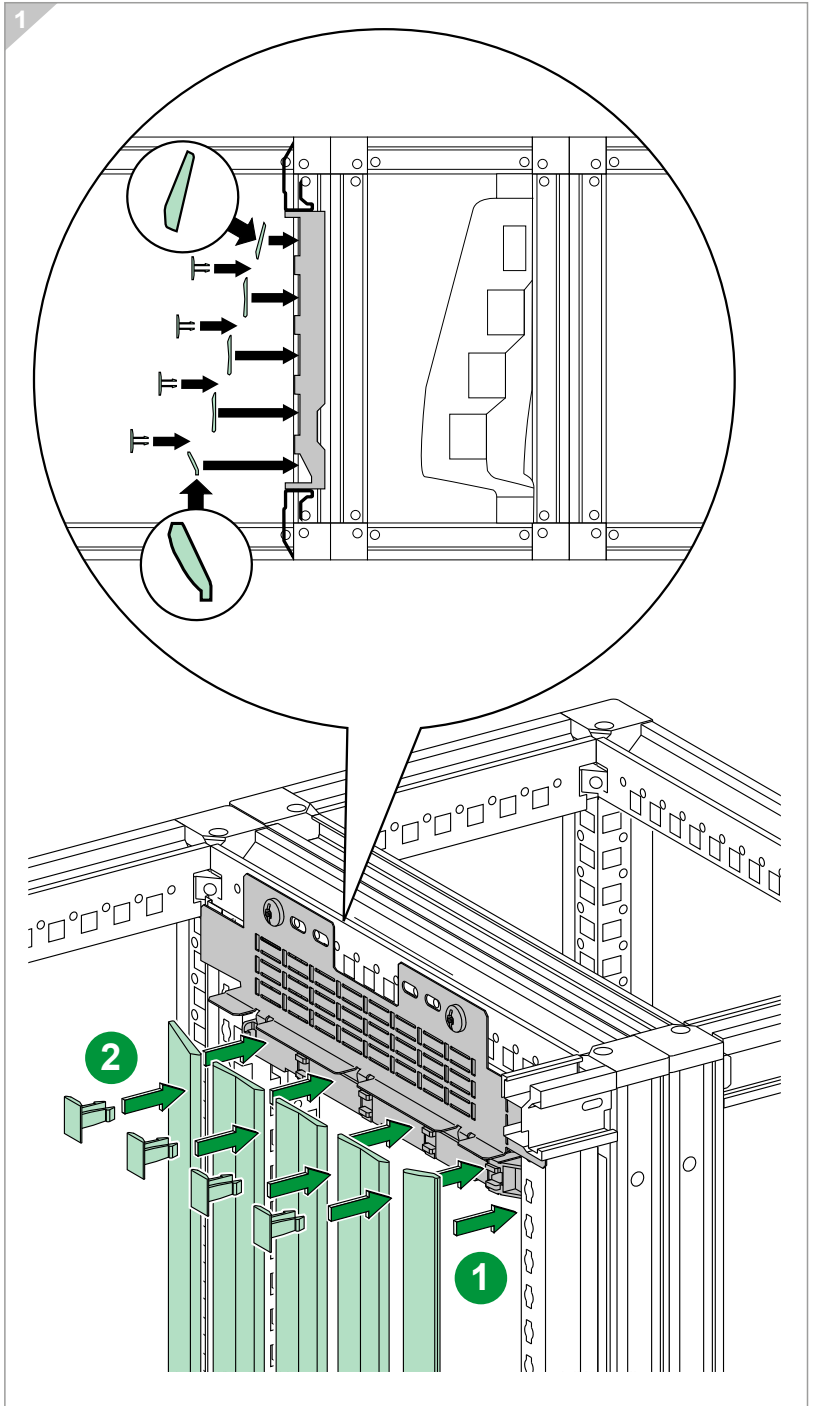
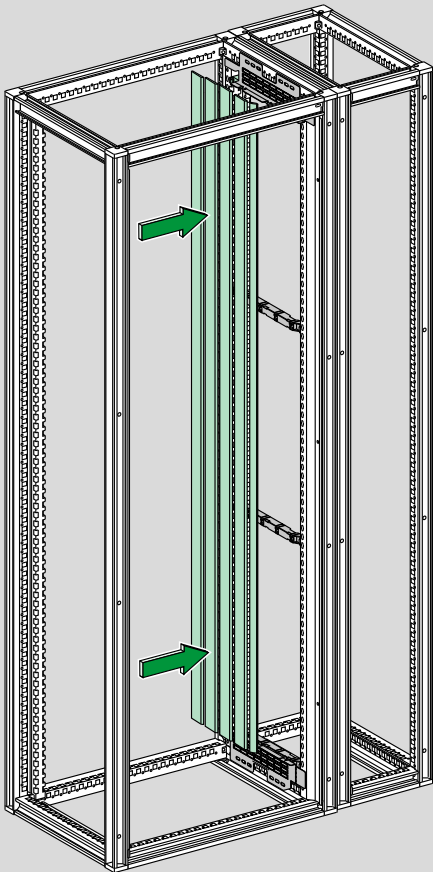


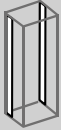


D**LVS06545****1**

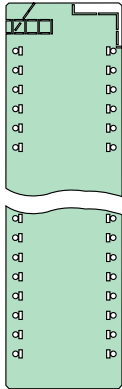
M6	8 Nm
⊕	70.81 lb-in



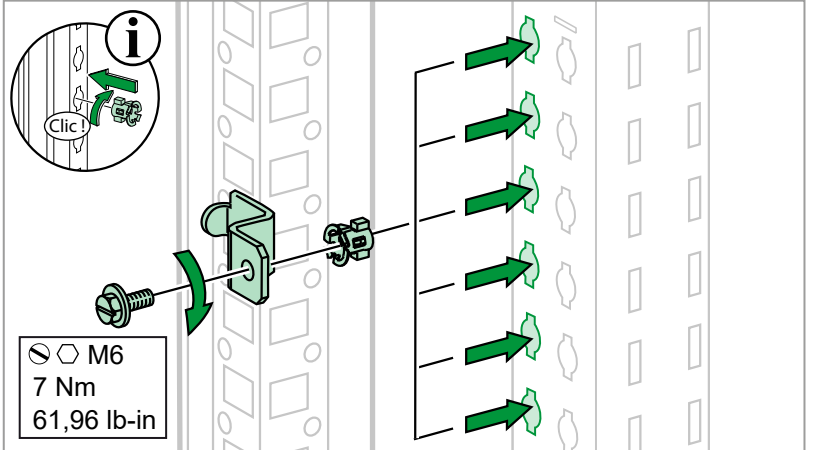




LVS06541
LVS06543

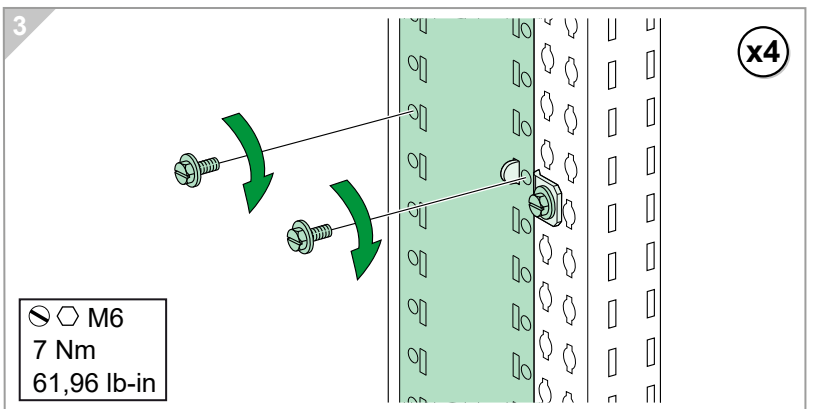
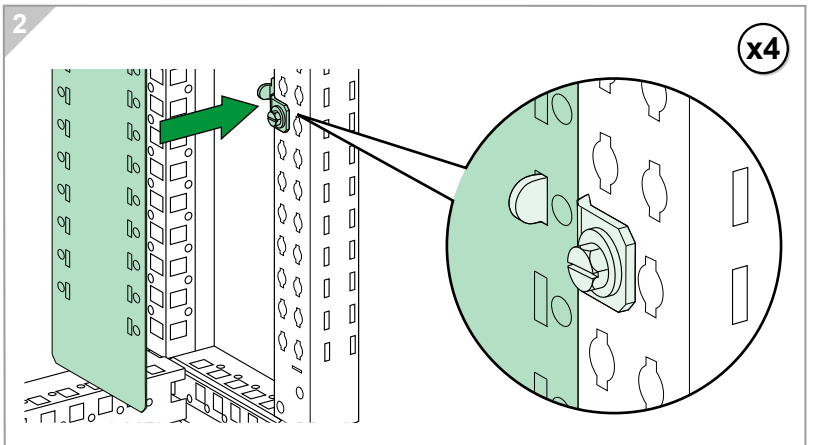
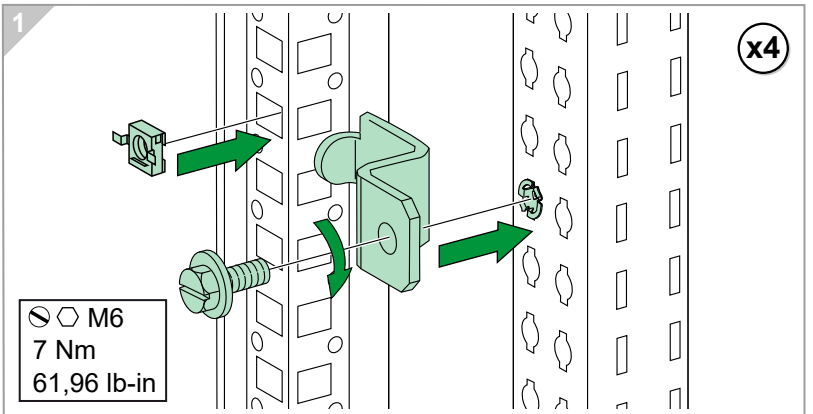
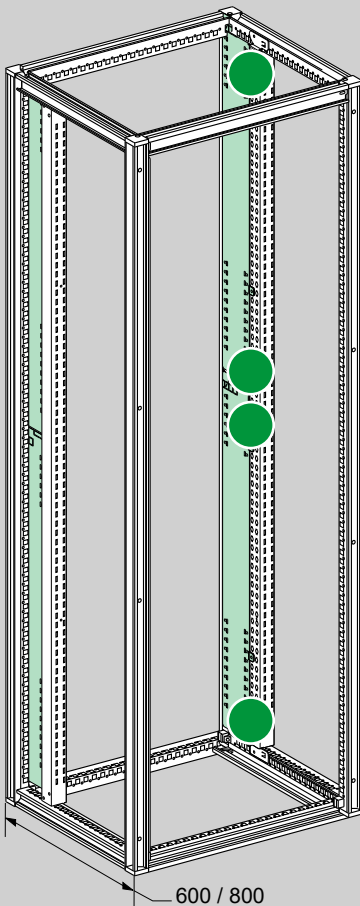


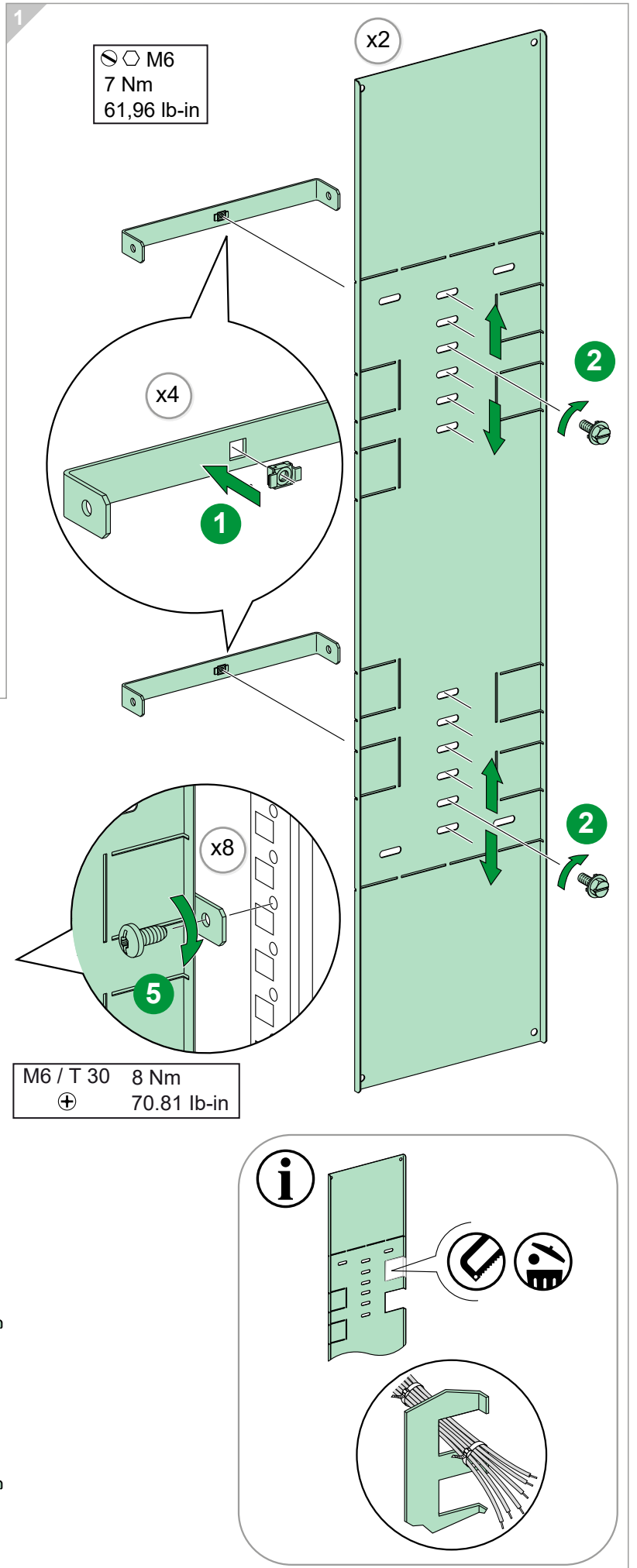
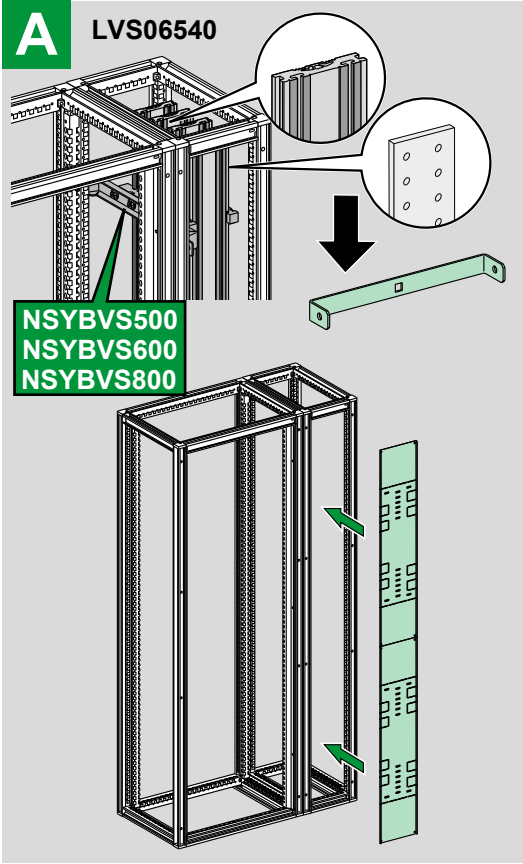
LVS06541
LVS06543



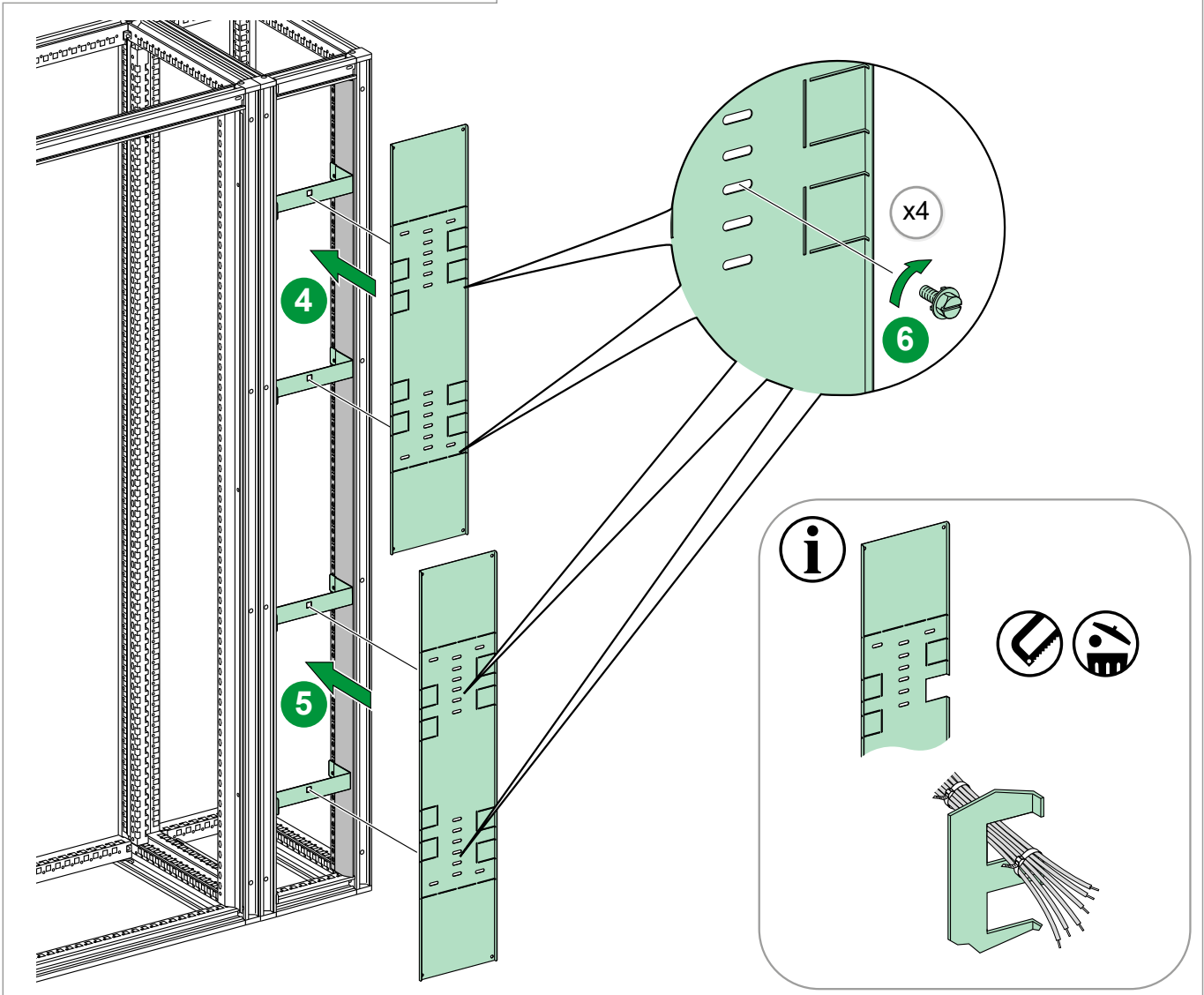
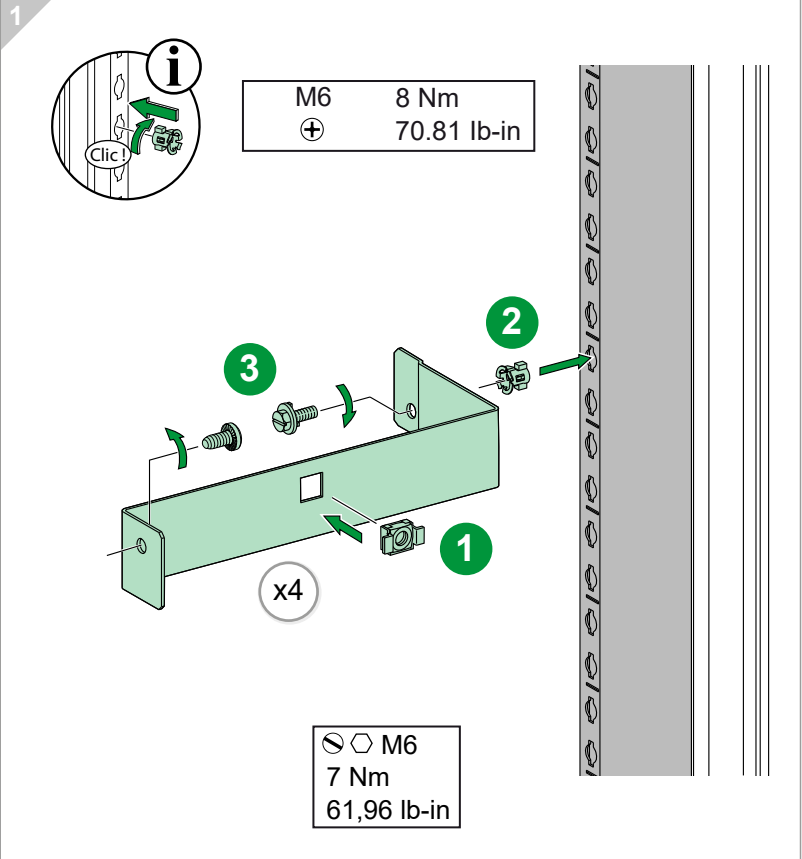
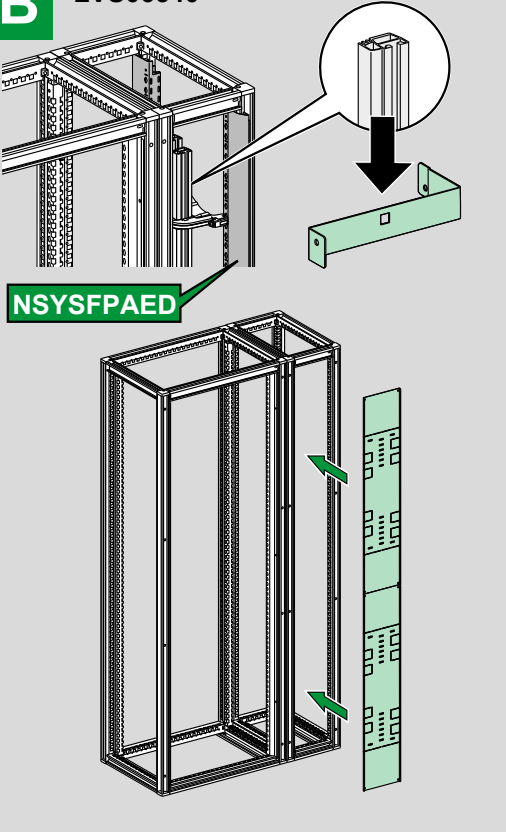
A

LVS06543





B LVS06540





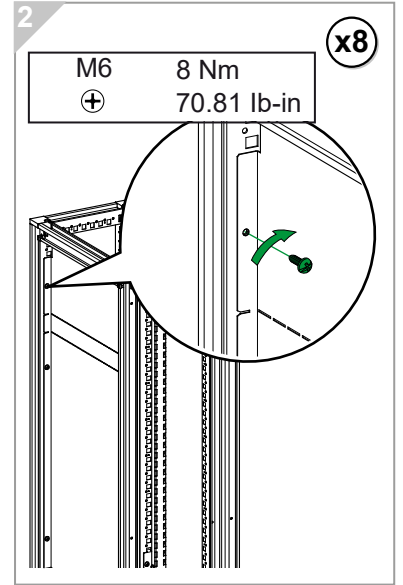
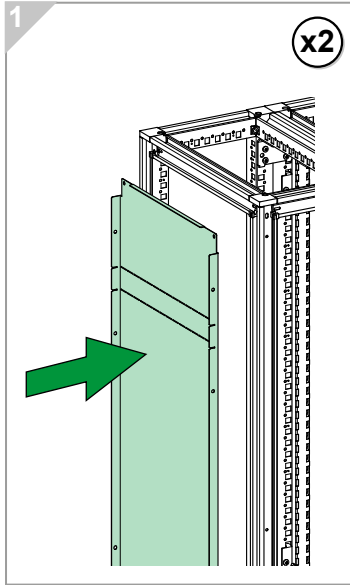
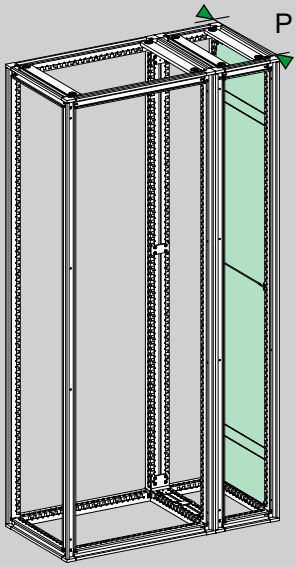
LVS06555
 LVS04911 + LVS06541
 LVS04911 + LVS06543

A

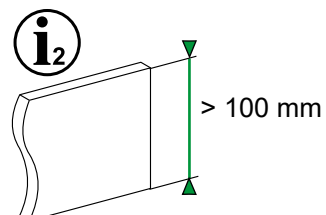
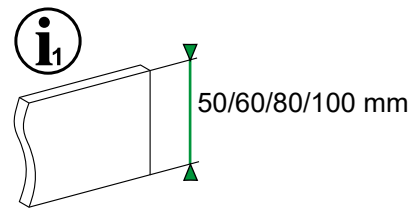
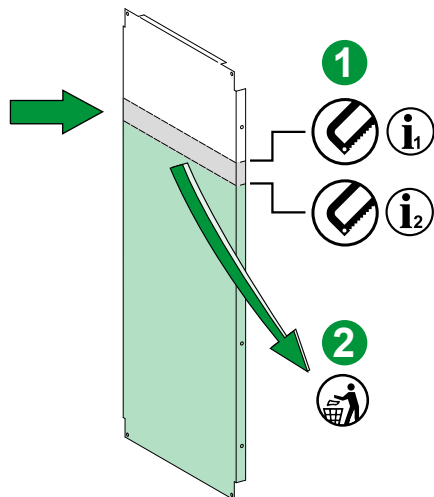
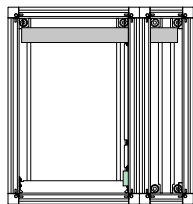
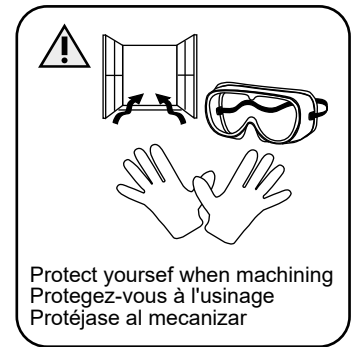
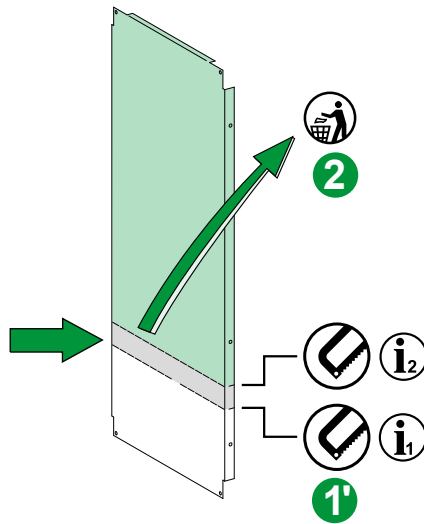
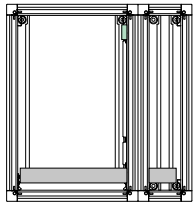
P=500 LVS06555

P=600 LVS04911
 + LVS06541

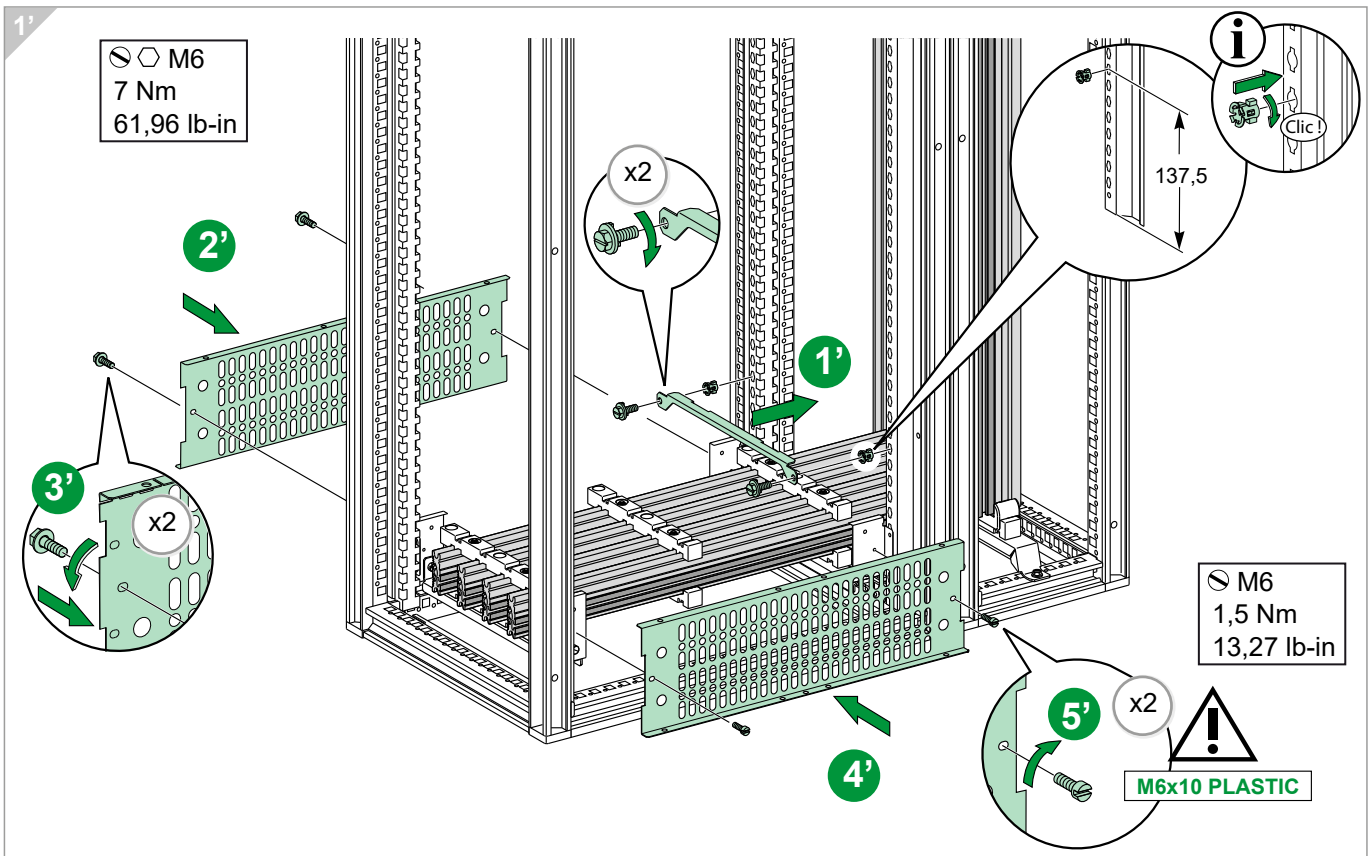
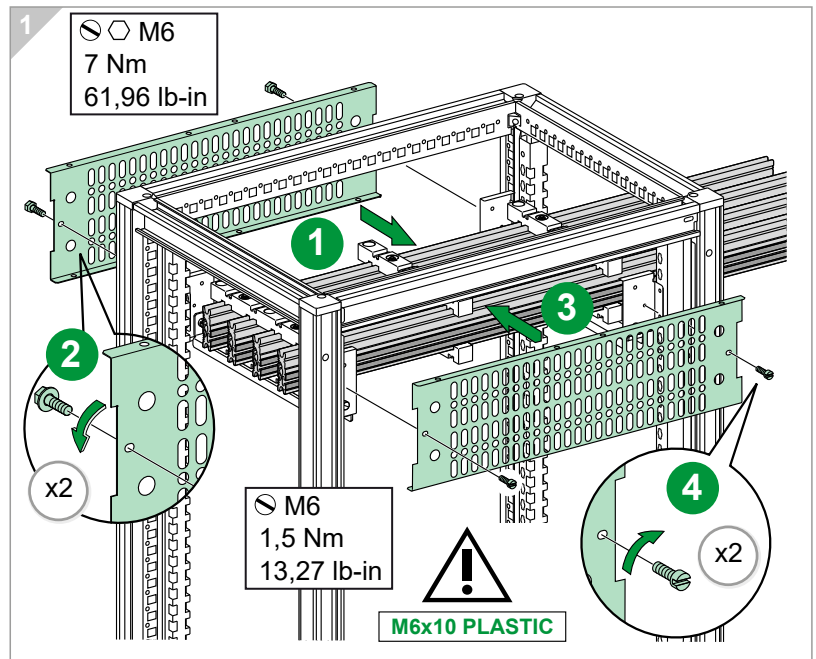
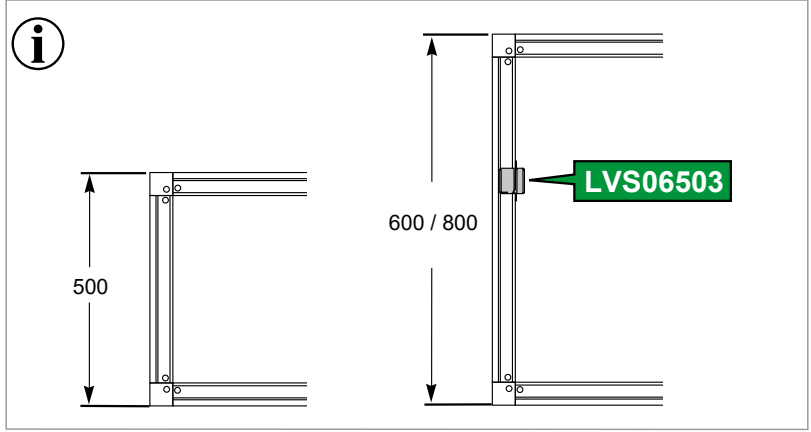
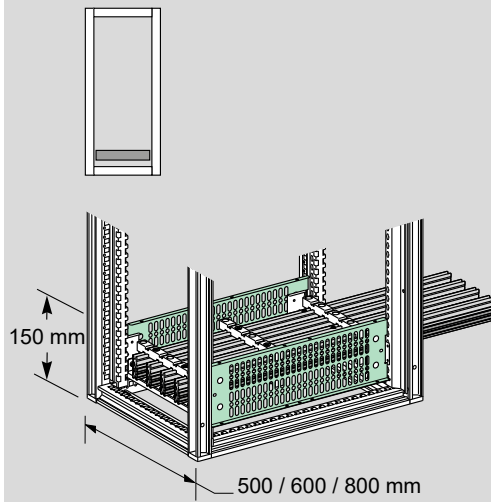
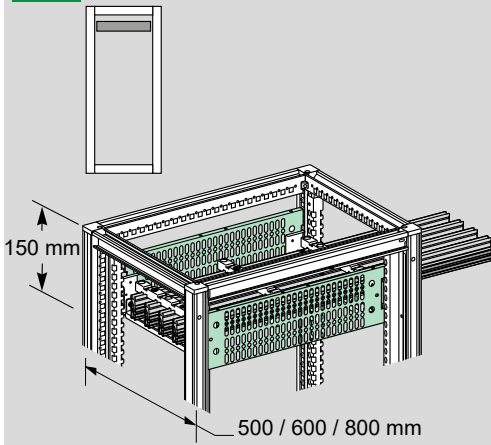
P=800 LVS04911
 + LVS06543



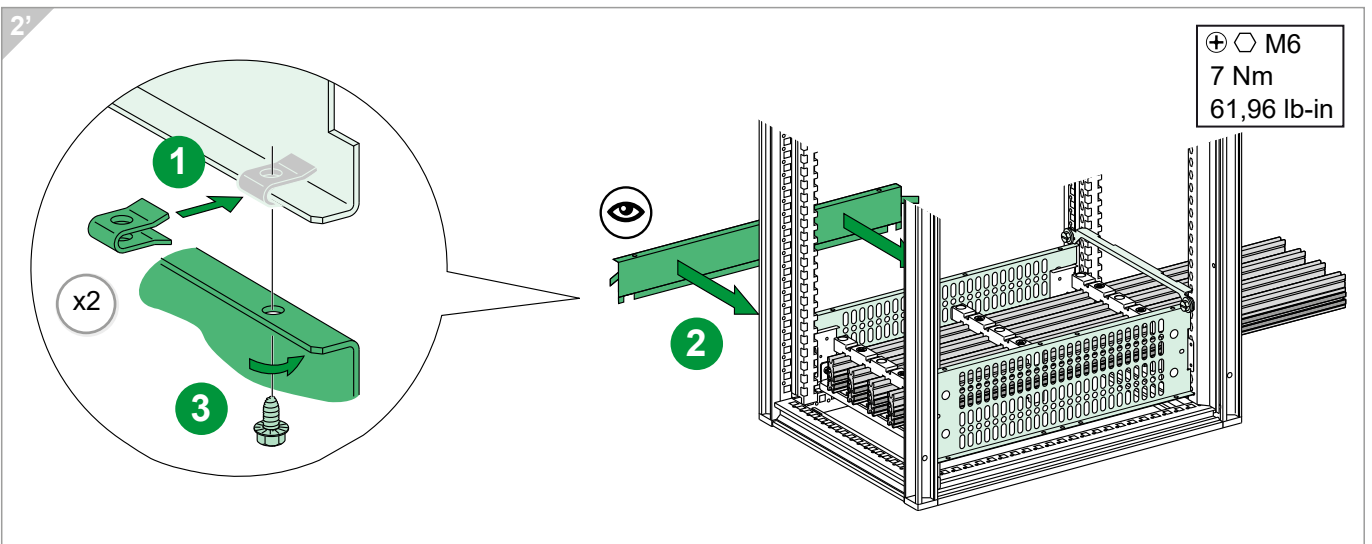
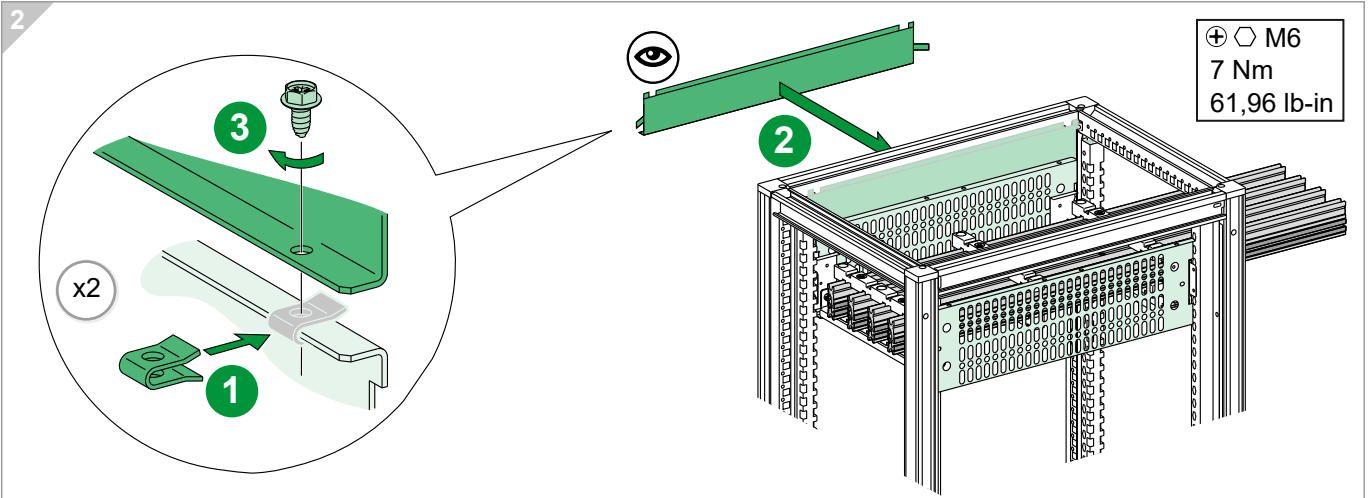
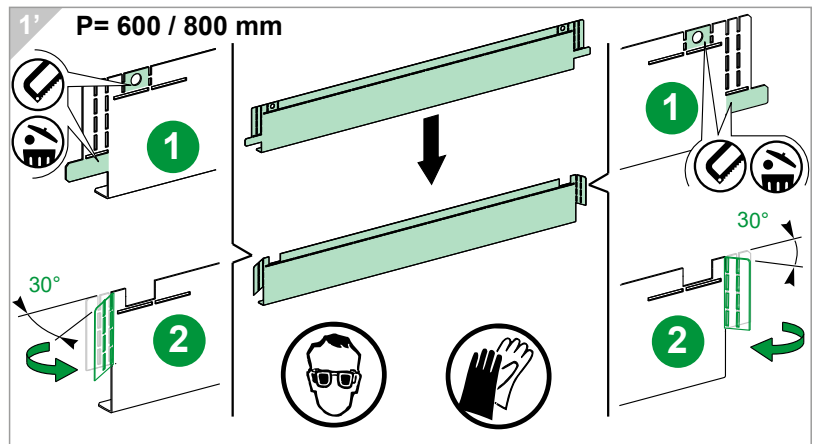
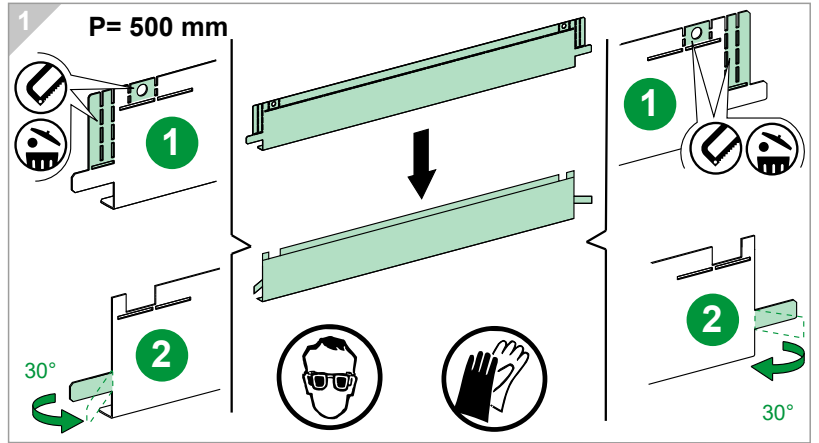
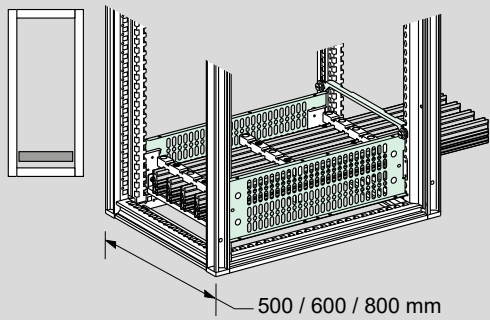
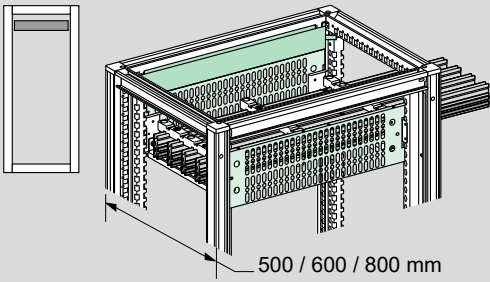
i



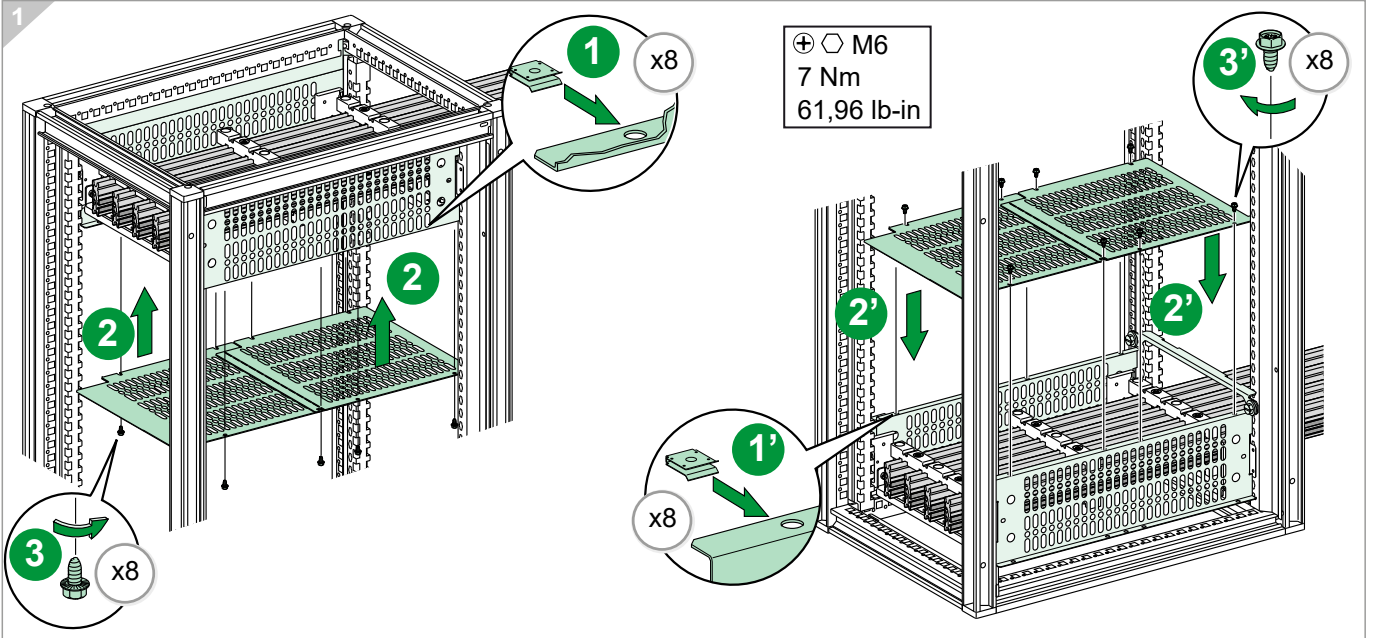
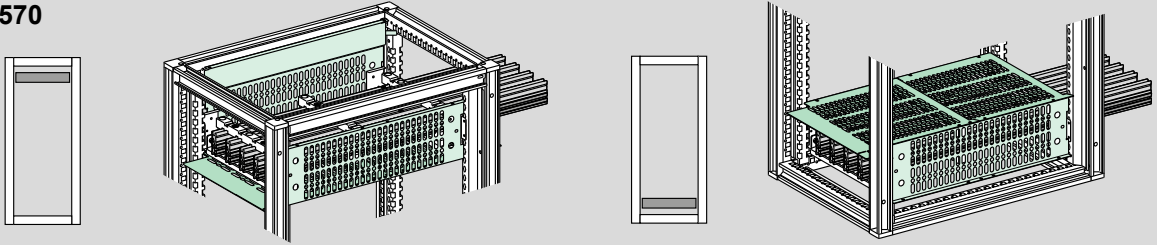
A LVS06570



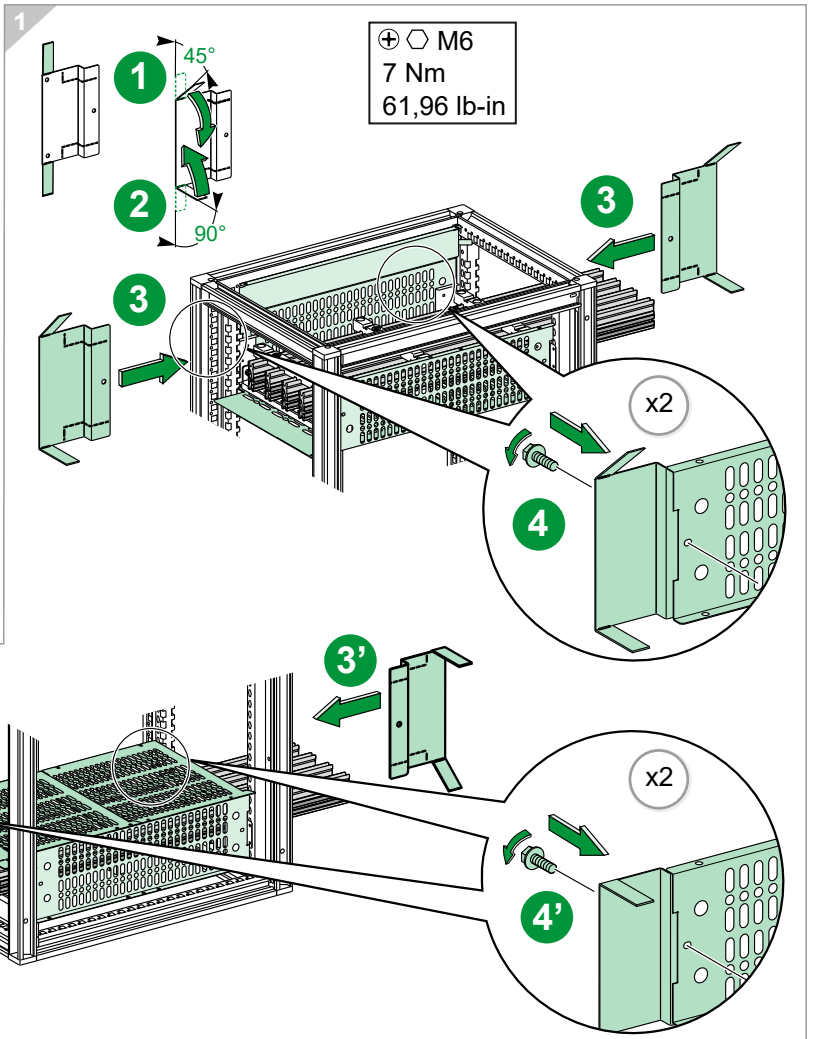
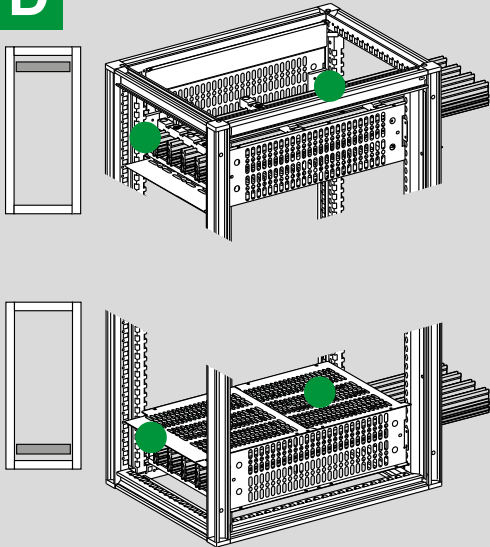
B LVS06570

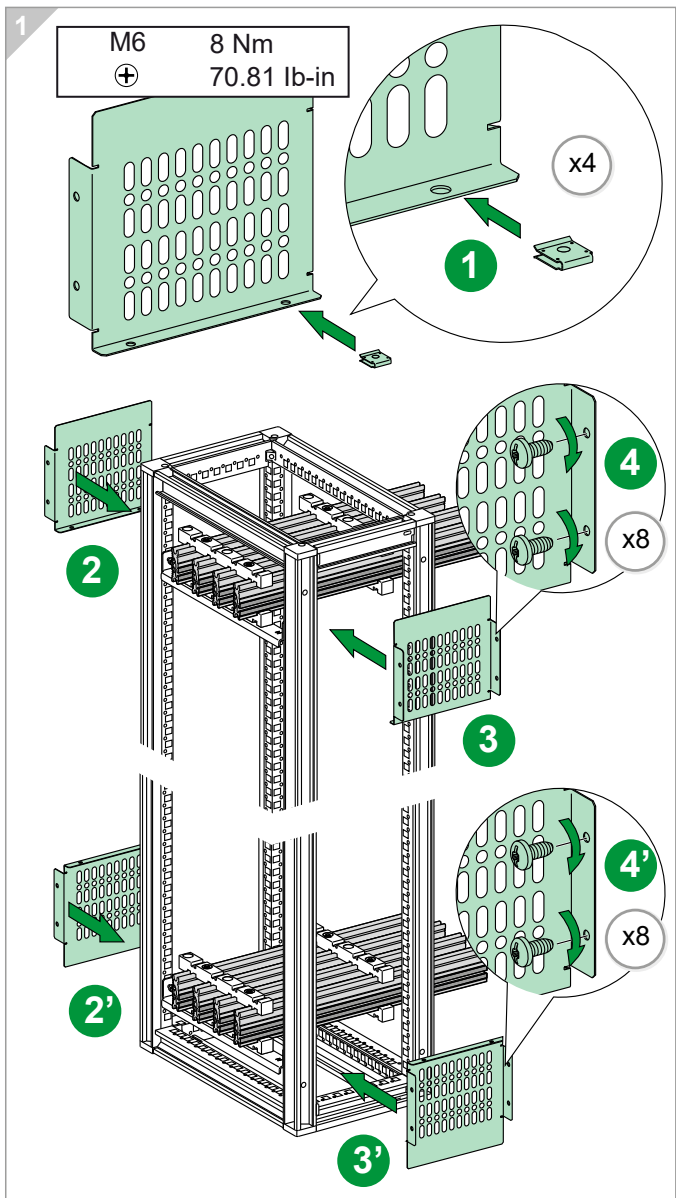
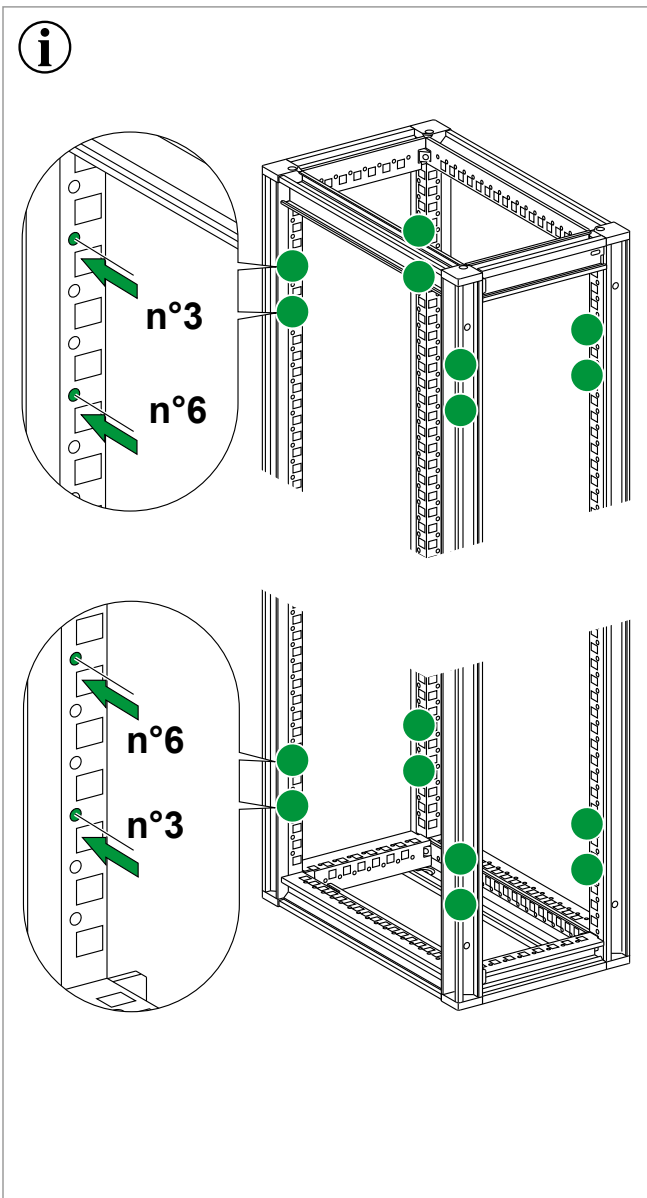
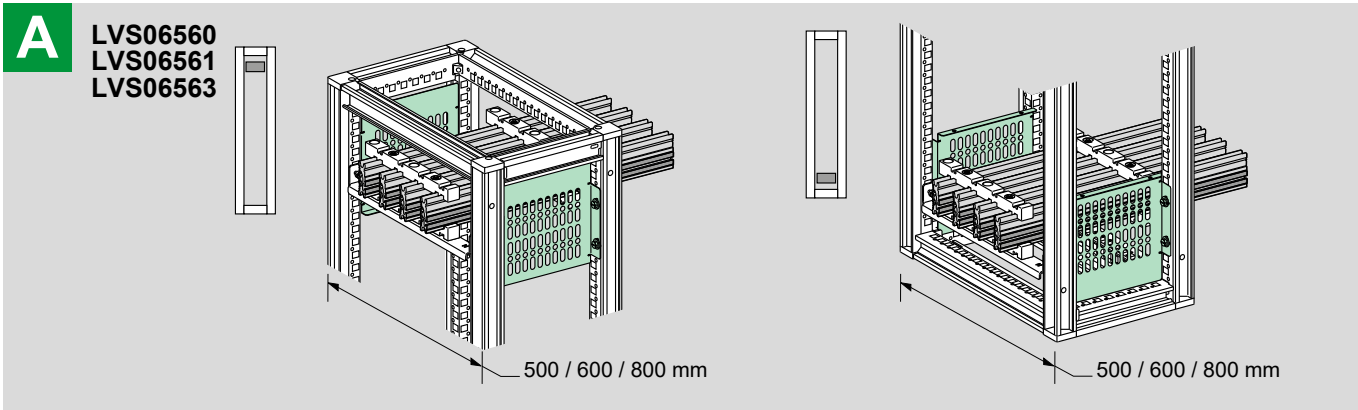
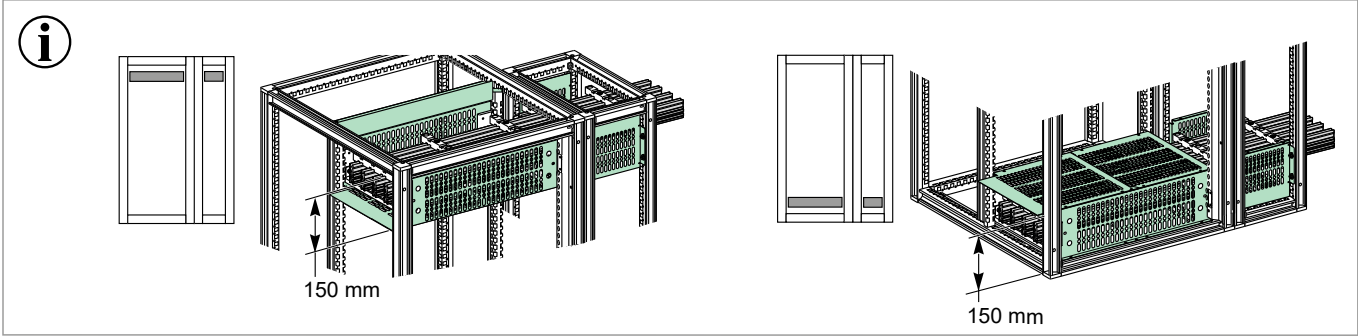


C LVS06570

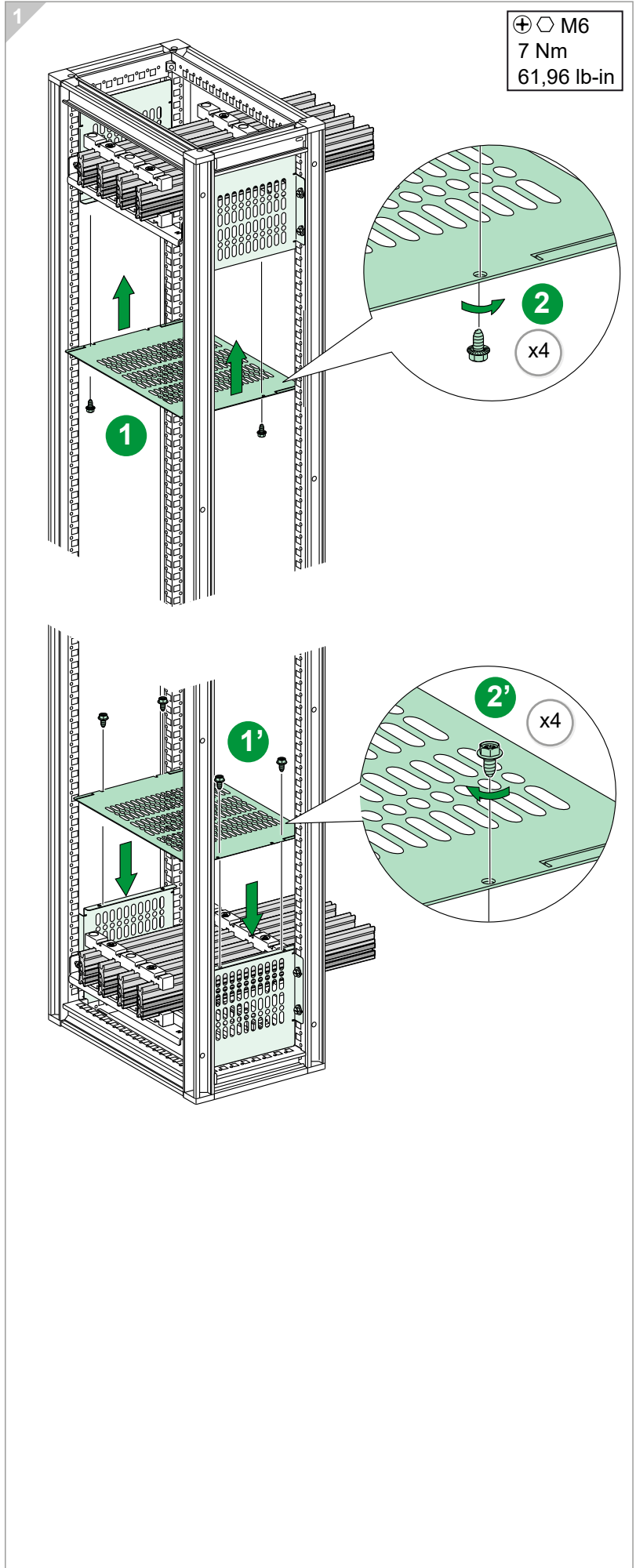
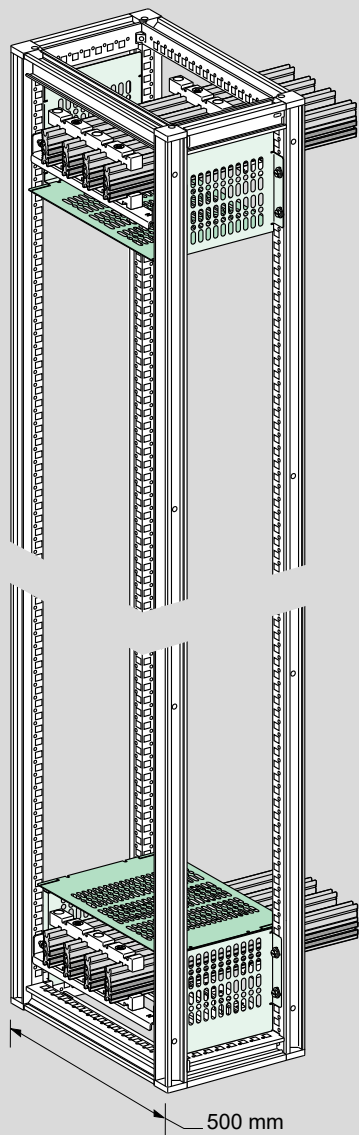


D LVS06570



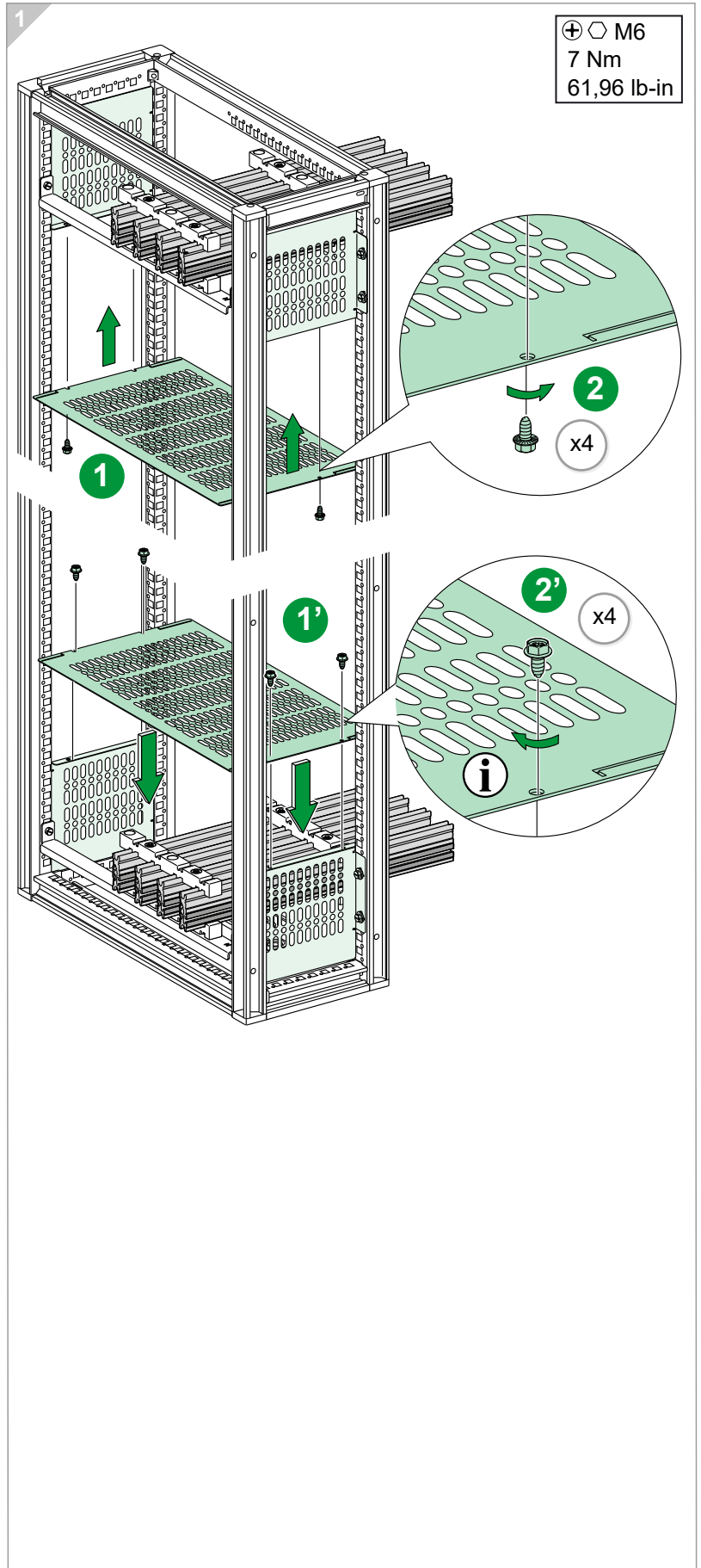
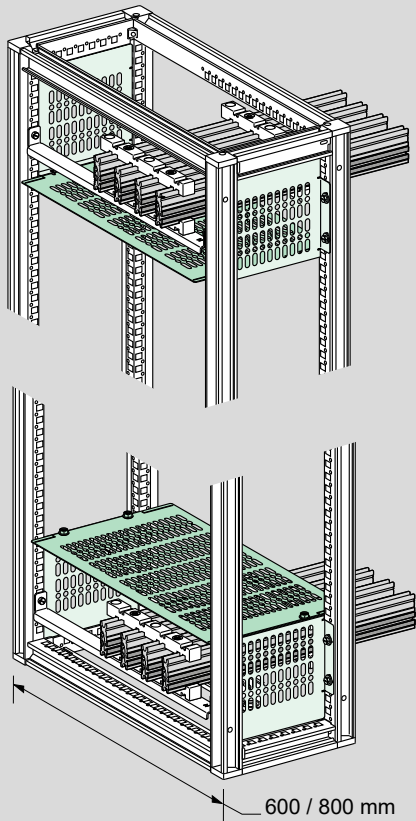


B LVS06560
LVS06561
LVS06563

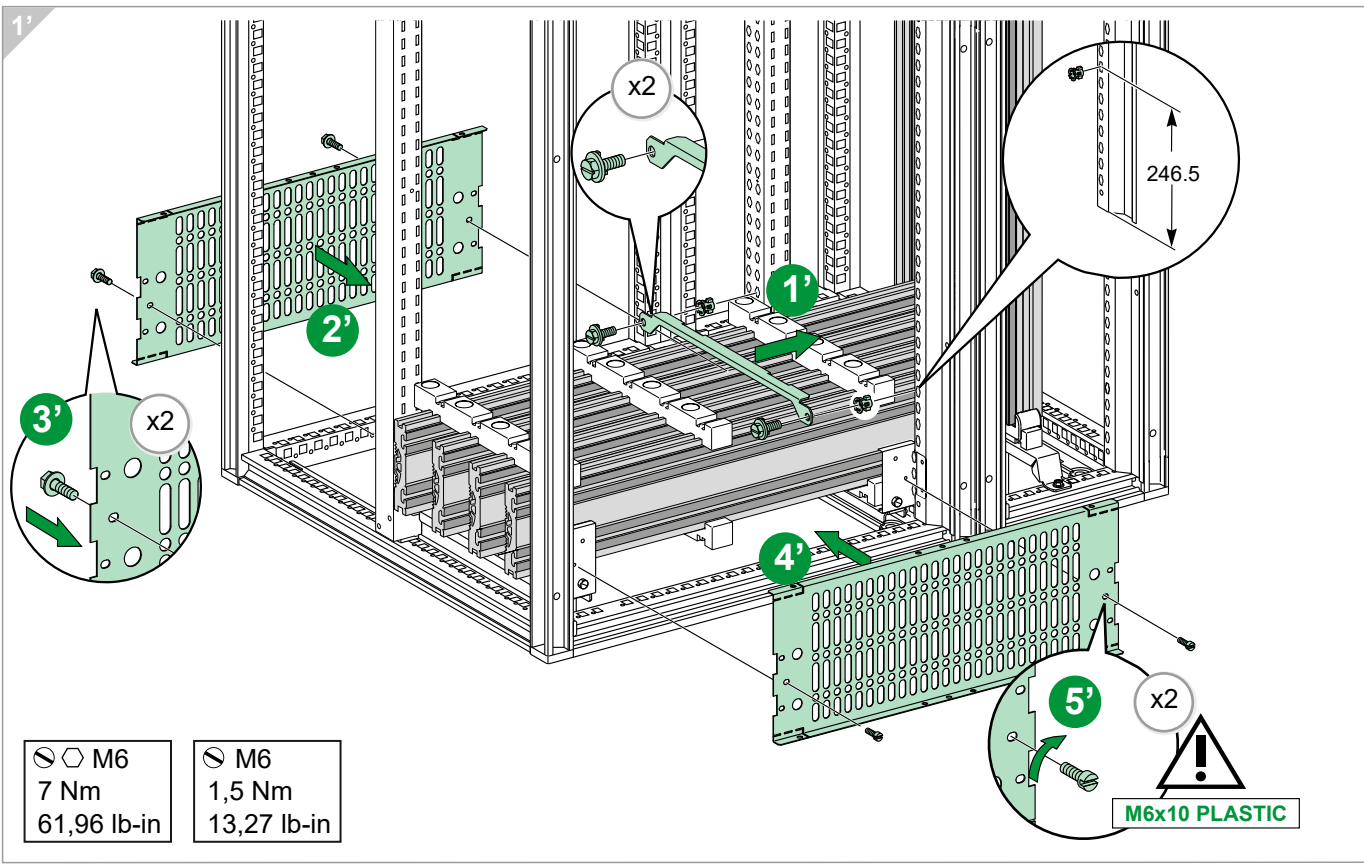
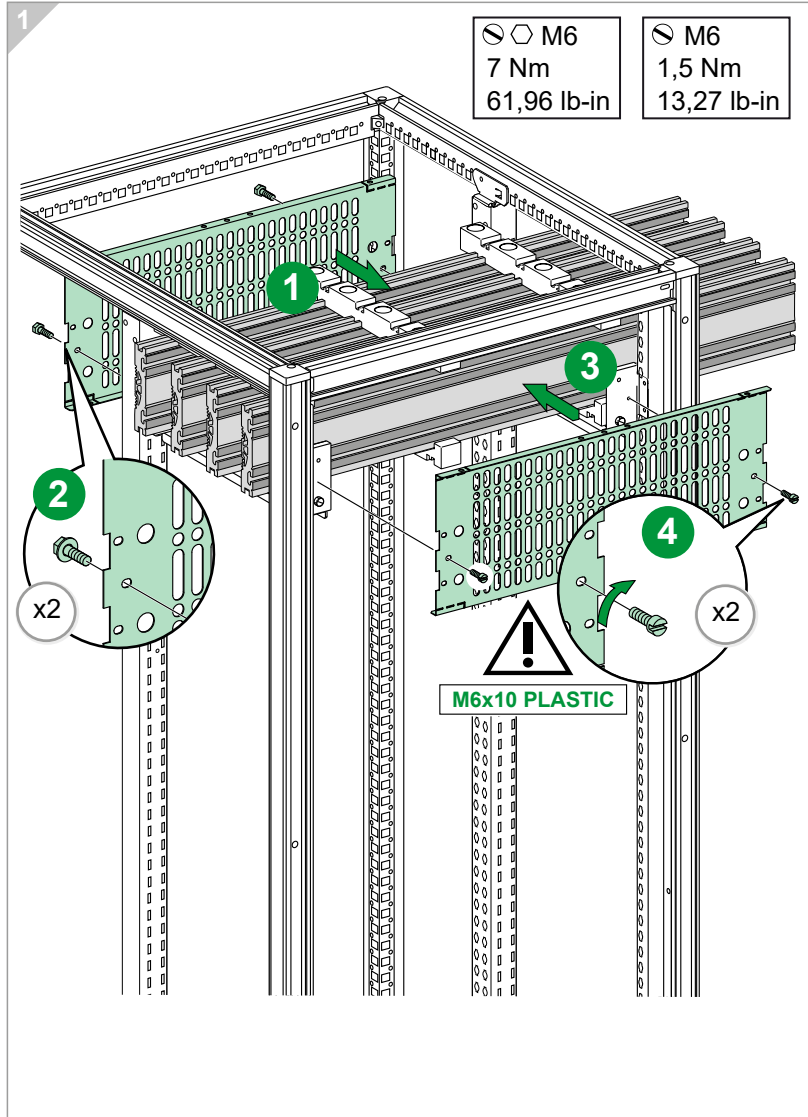
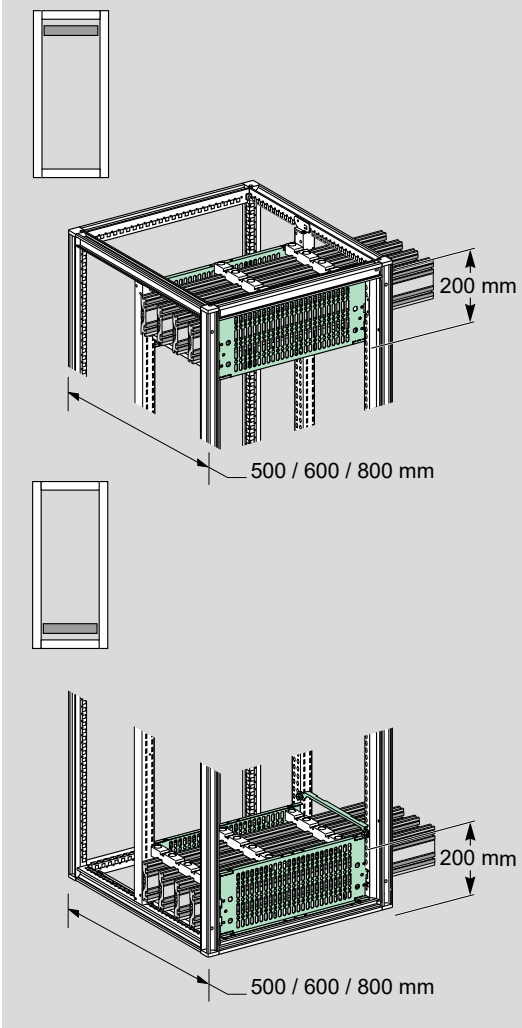


C

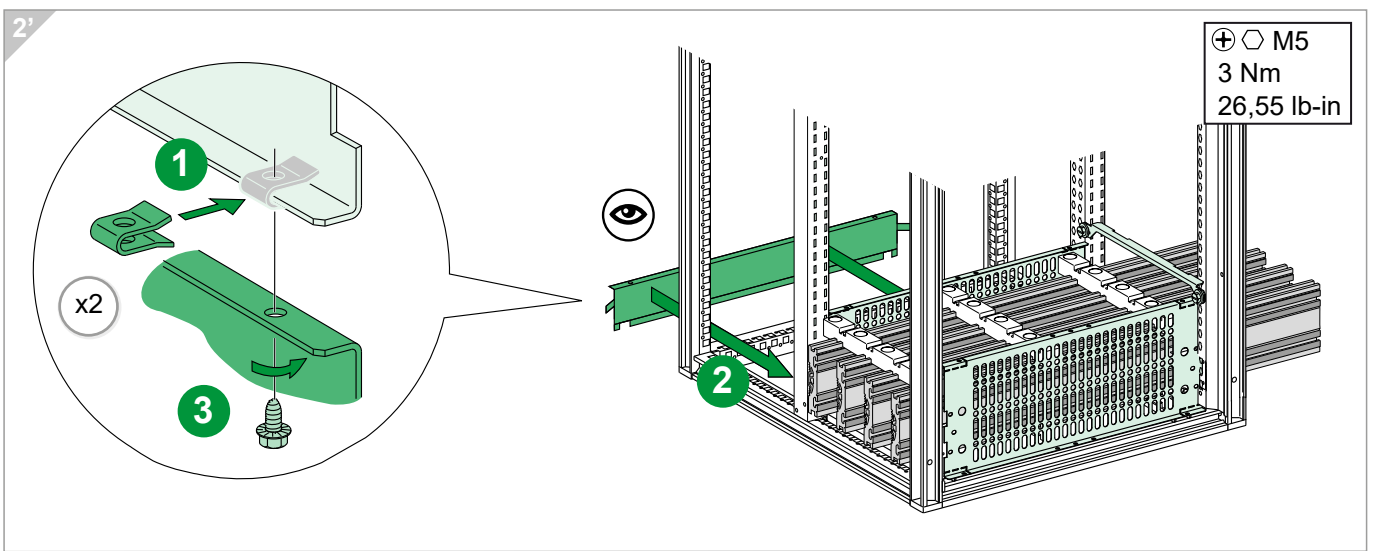
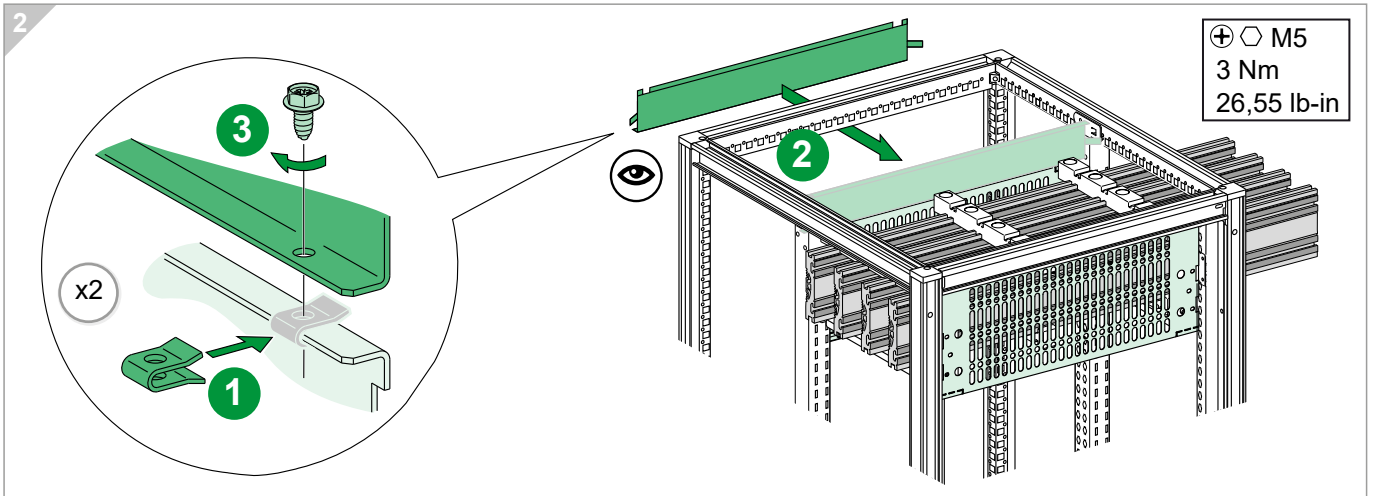
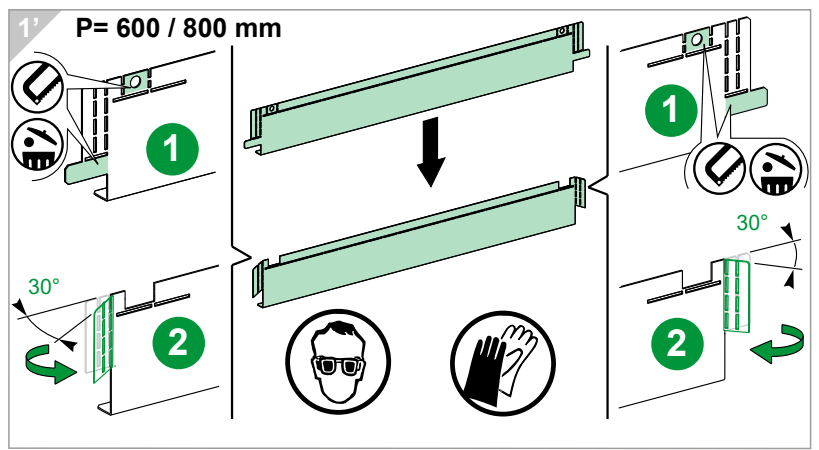
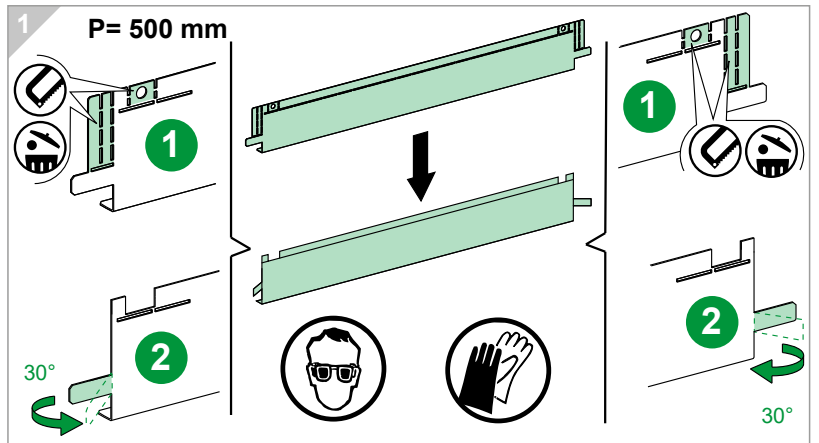
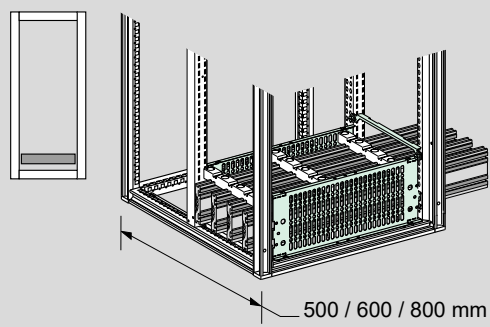
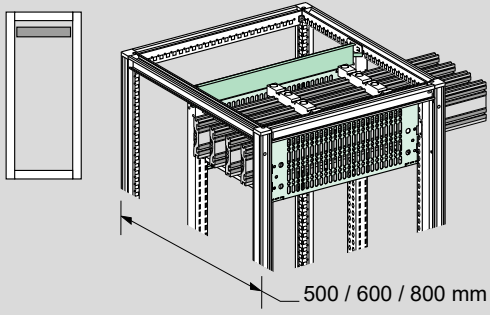
LVS06560
LVS06561
LVS06563

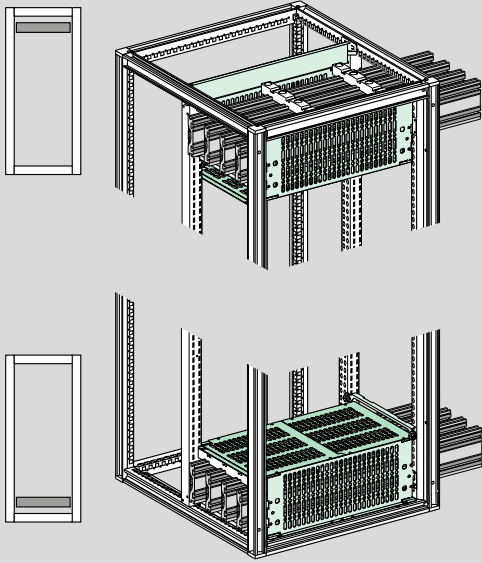


A LVS06567



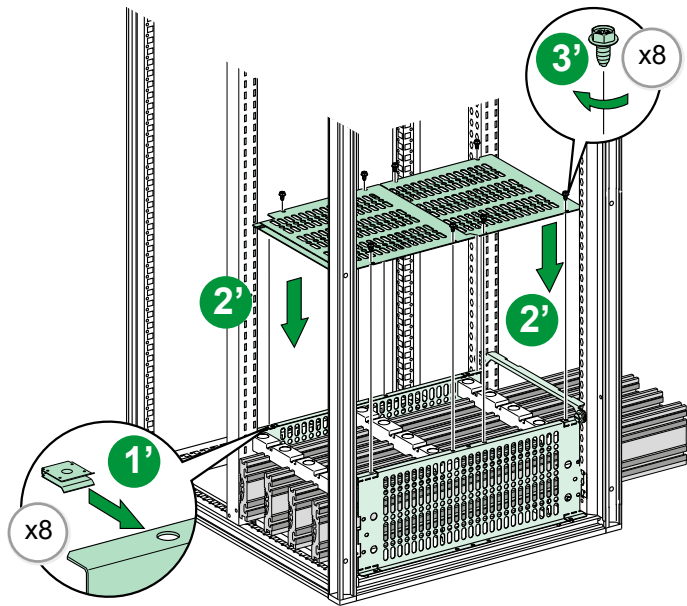
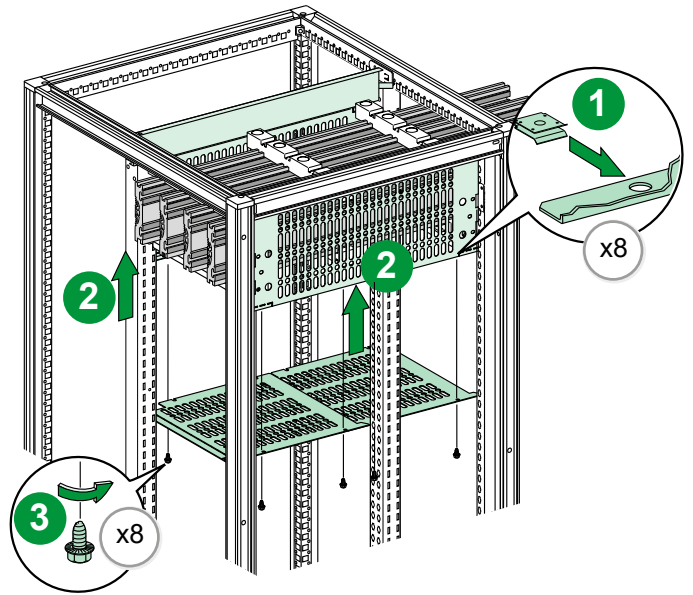
B LVS06567





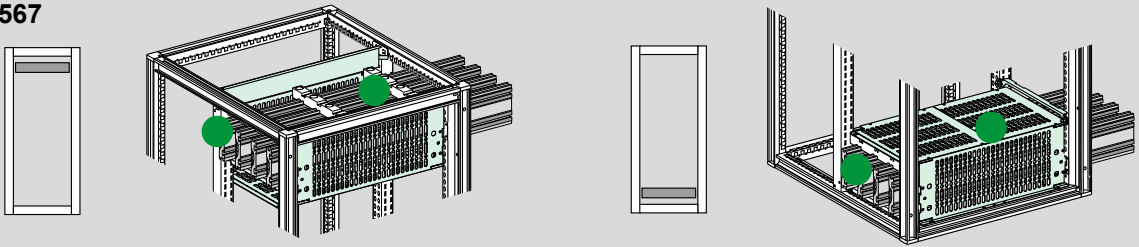
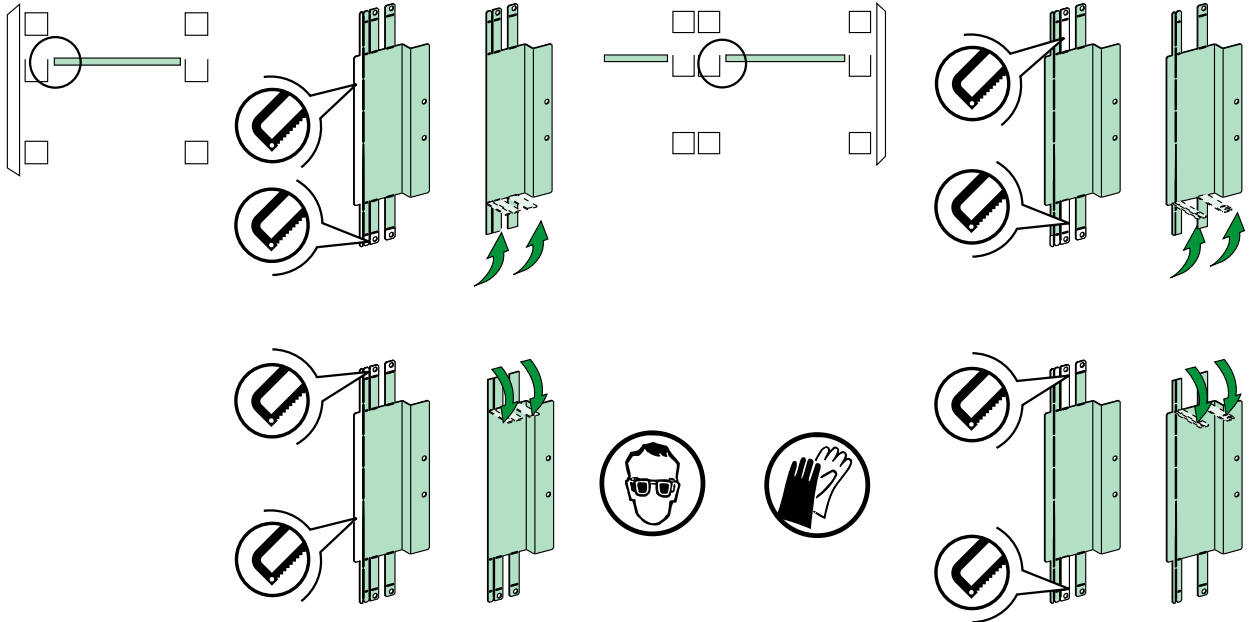
1

⊕ ⊙ M5
3 Nm
26,55 lb-in

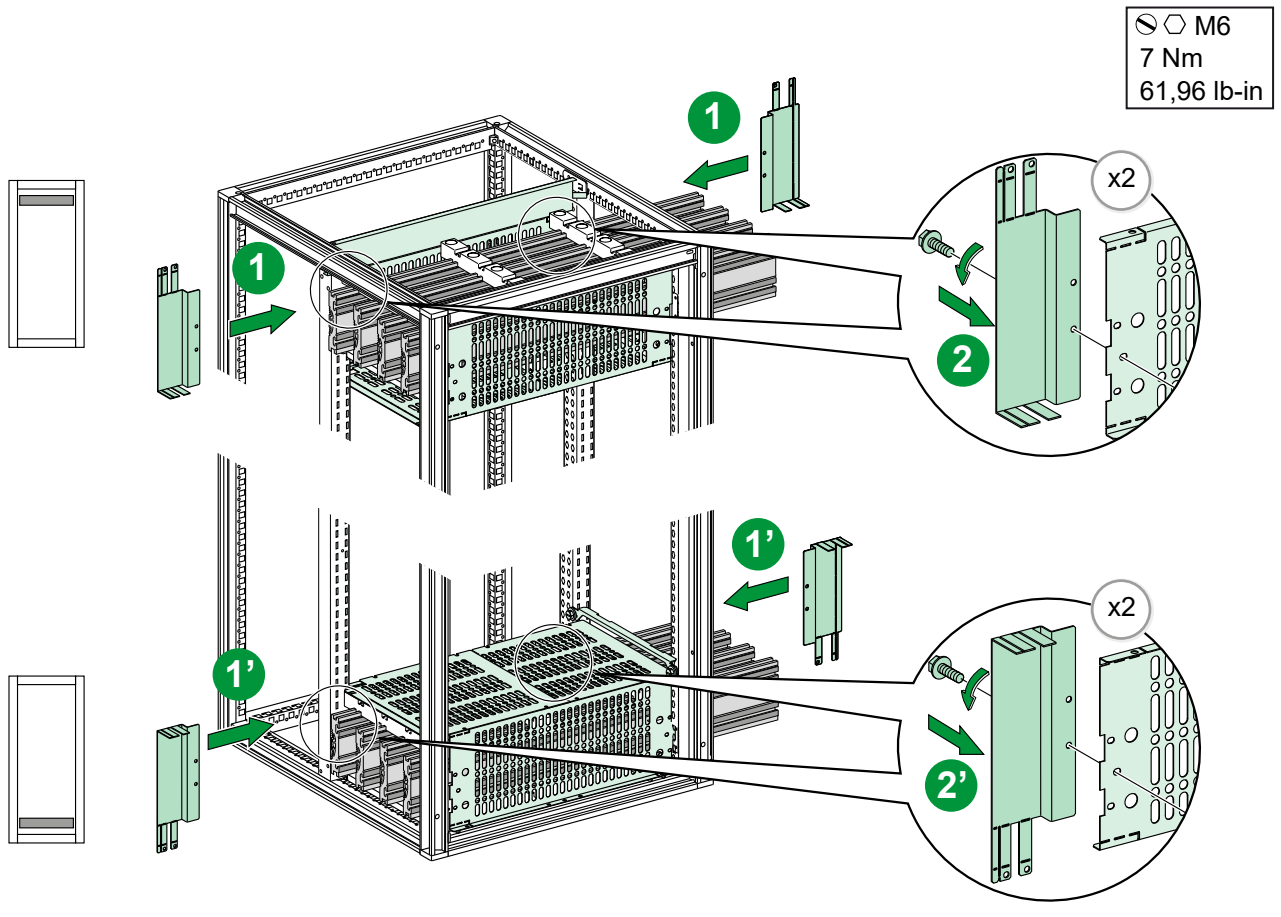


D

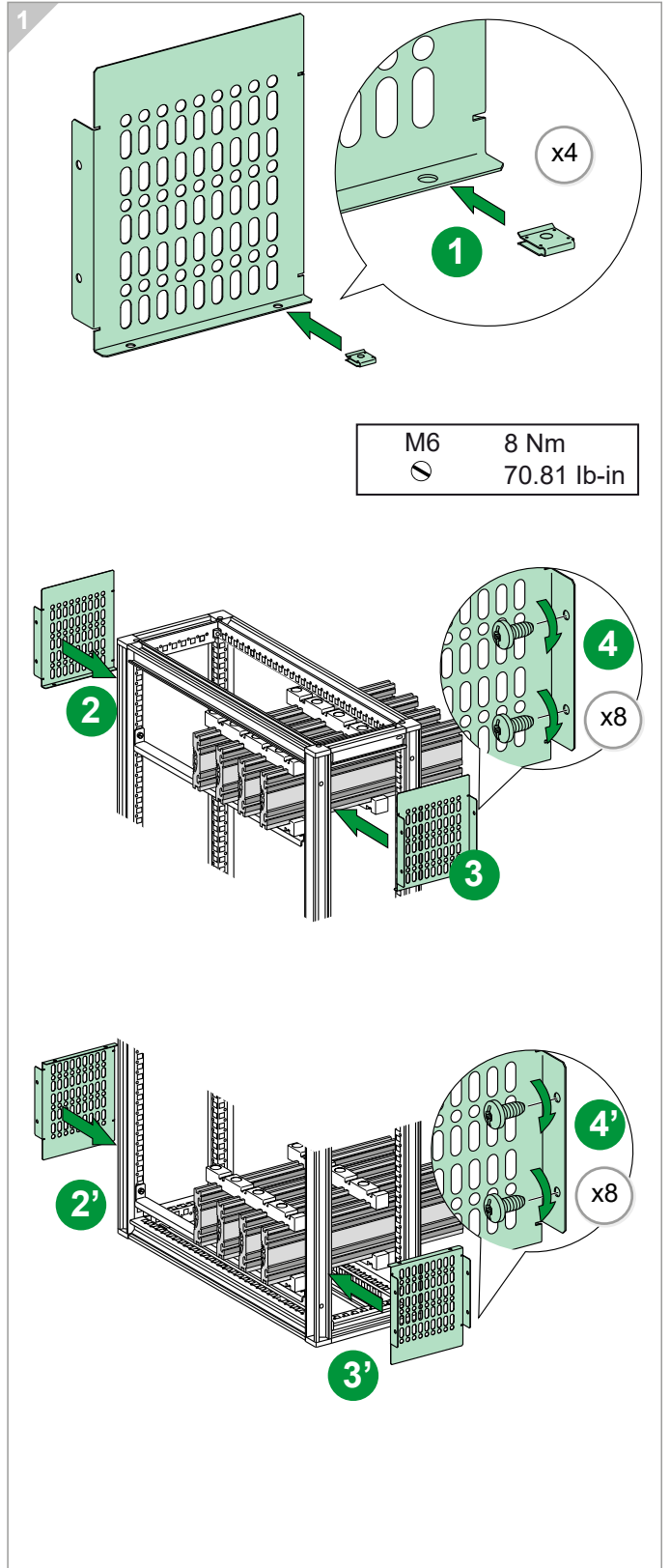
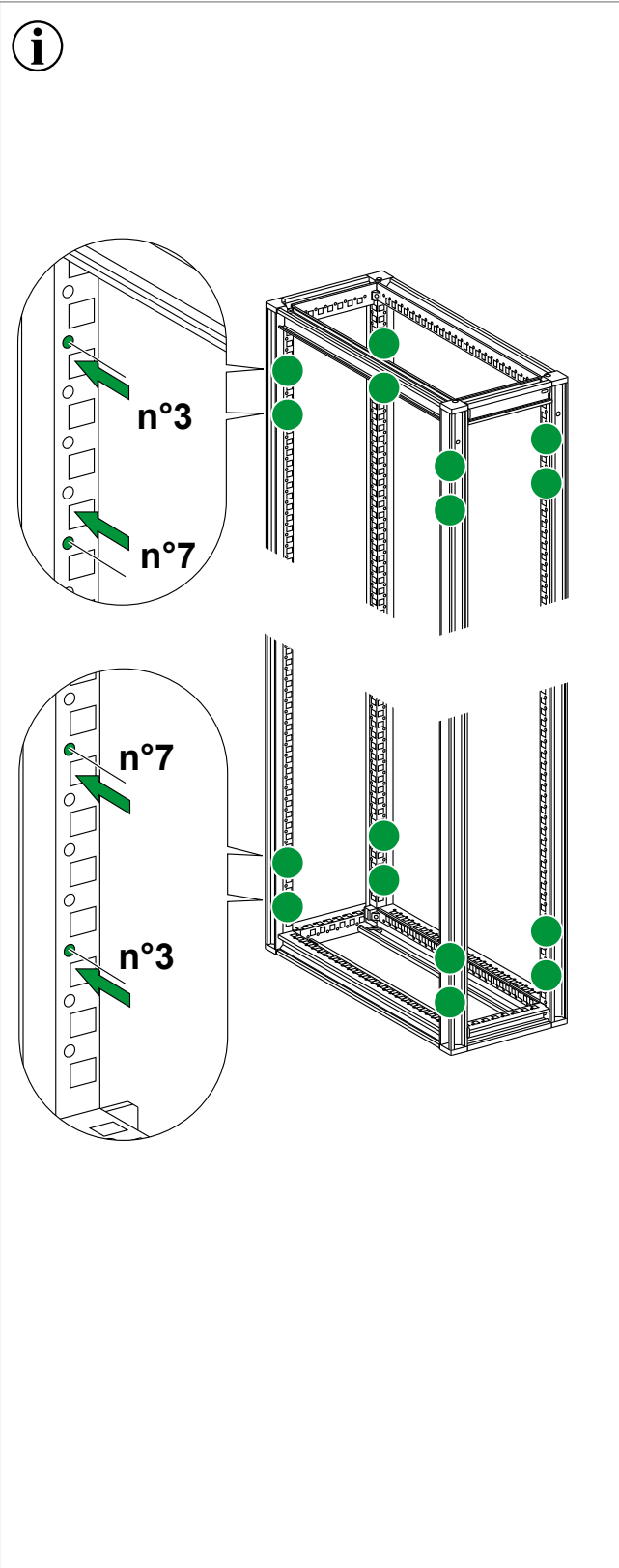
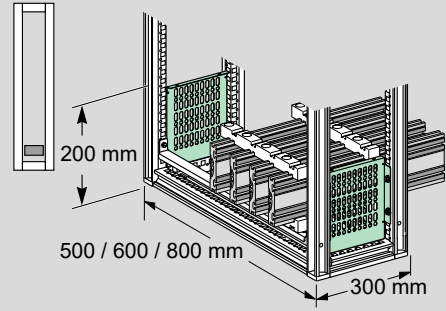
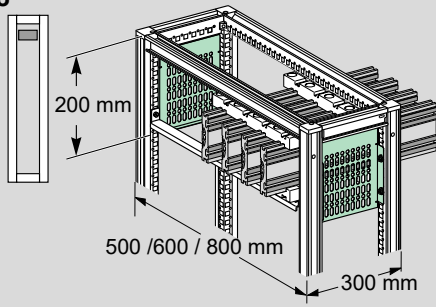
LVS06567

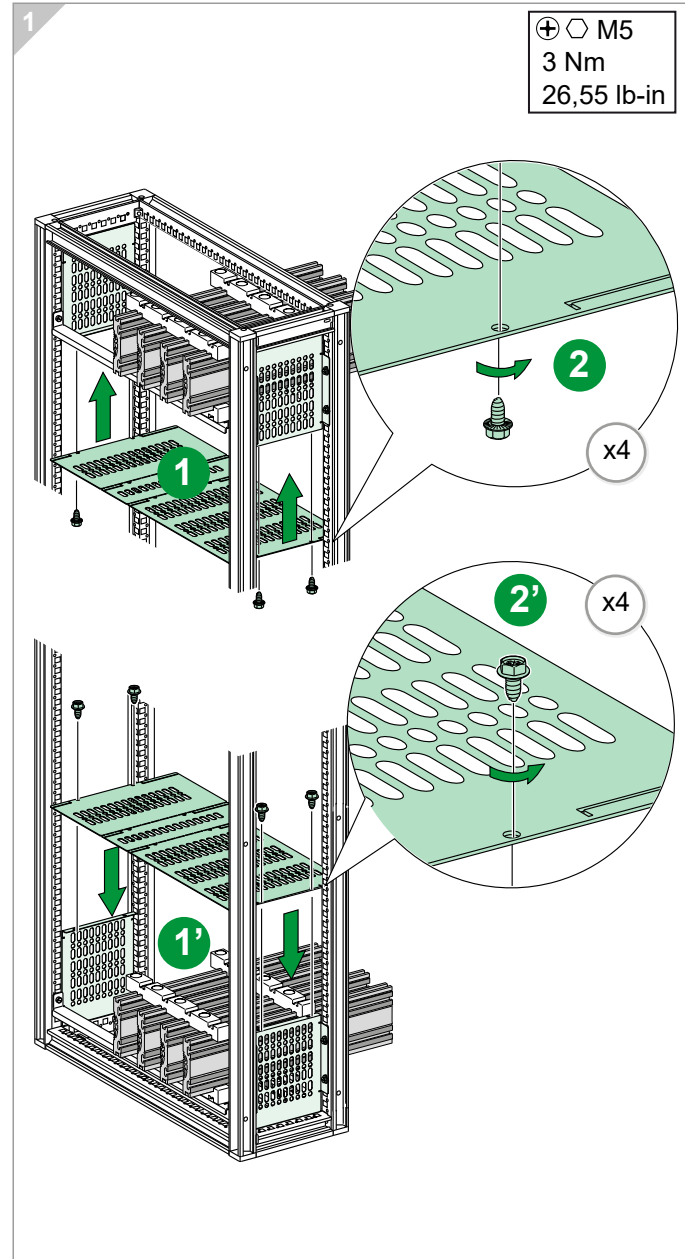
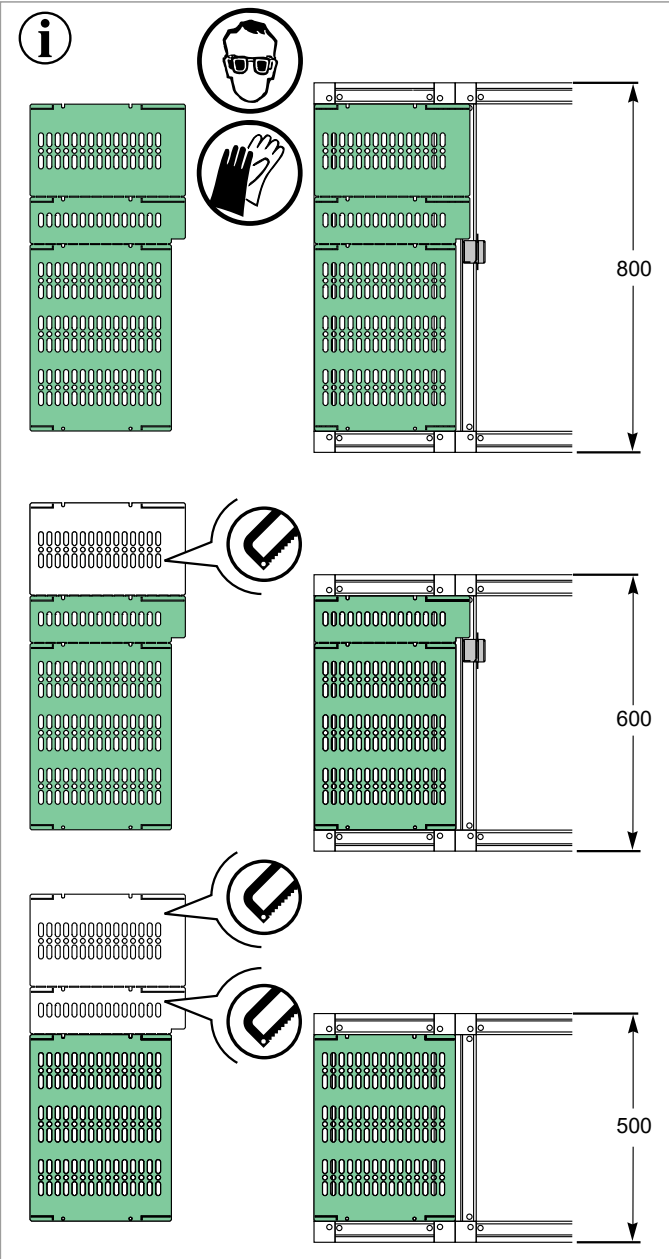
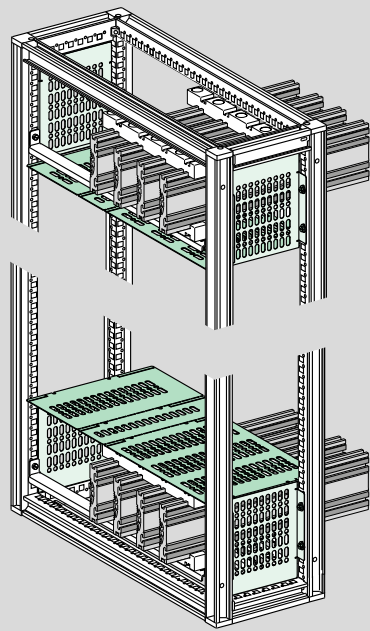
**i**

1



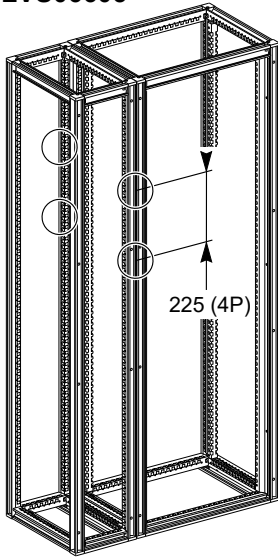
A LVS06568



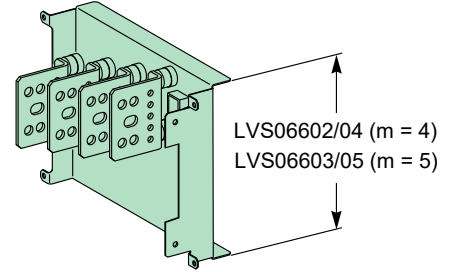
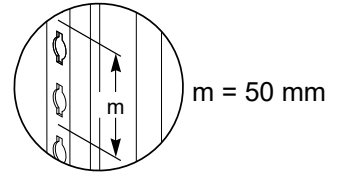
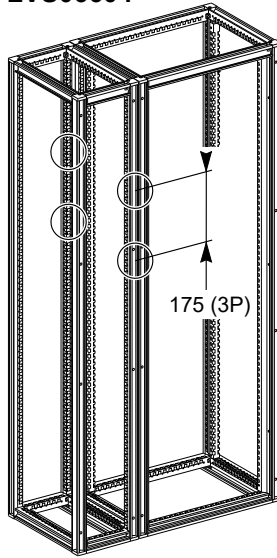




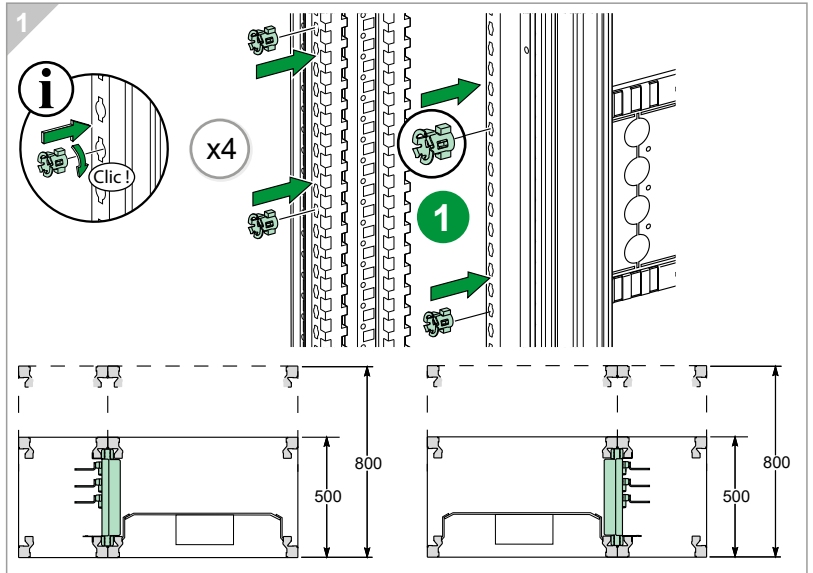
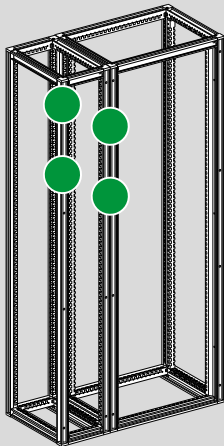
LVS06603
LVS06605



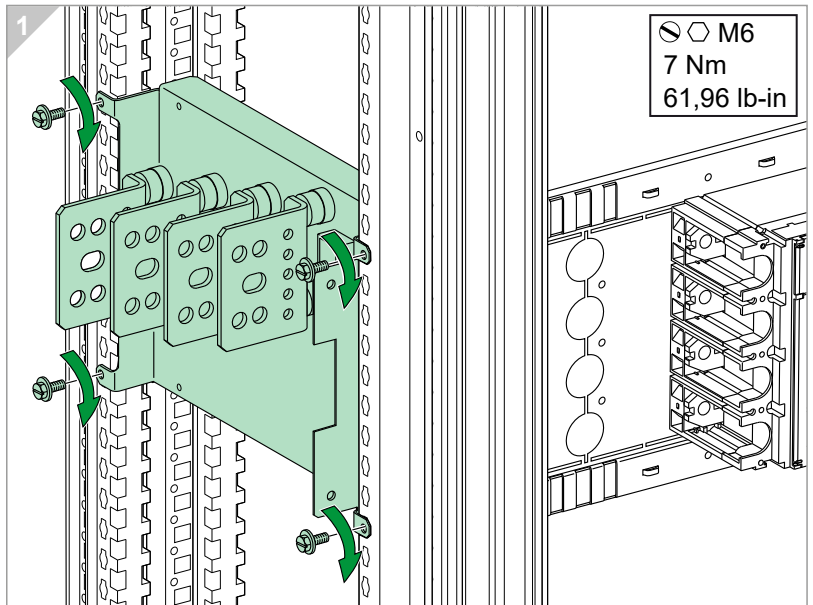
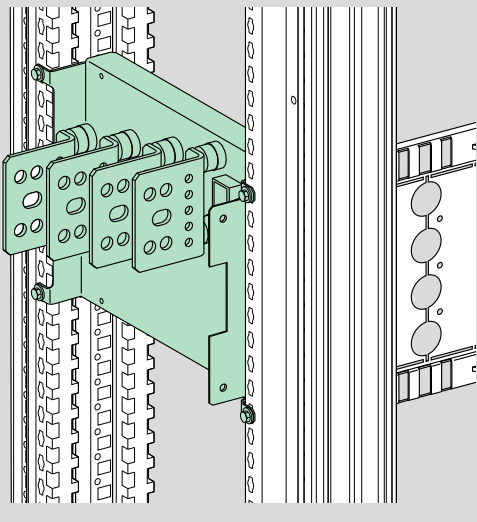
LVS06602
LVS06604



A

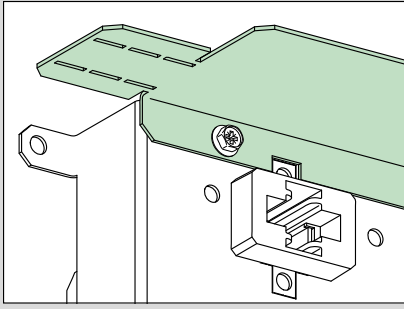


B

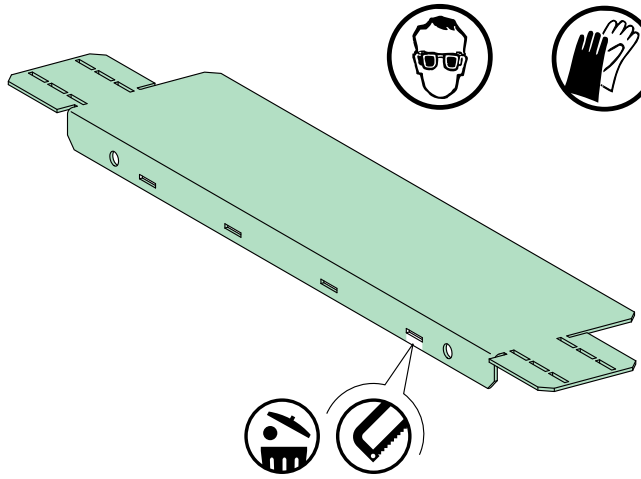
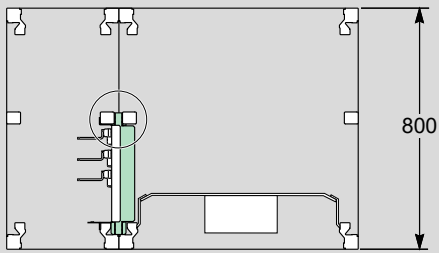
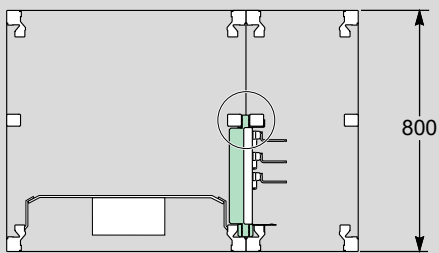


C

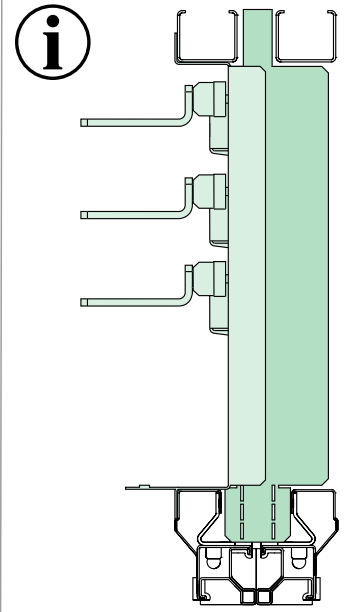
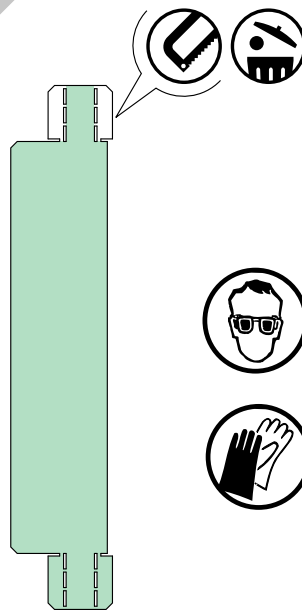
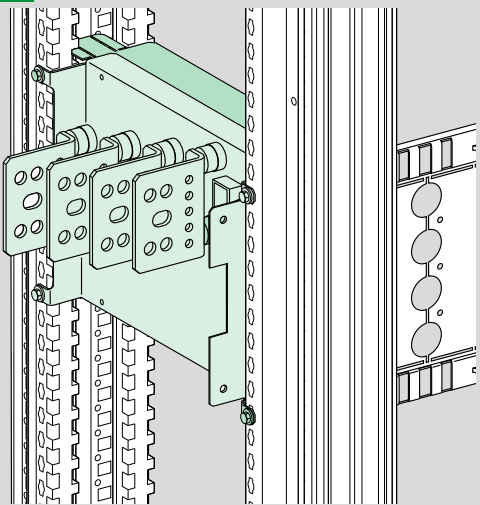
LVS06602



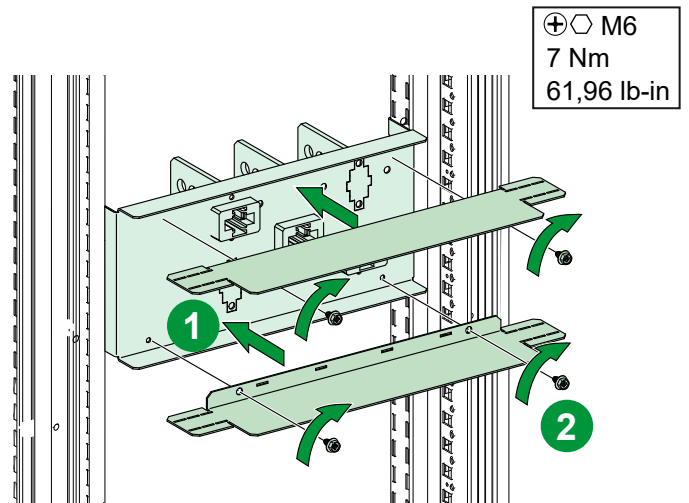
1

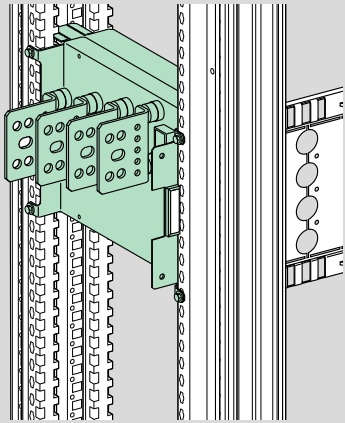
**D**

1

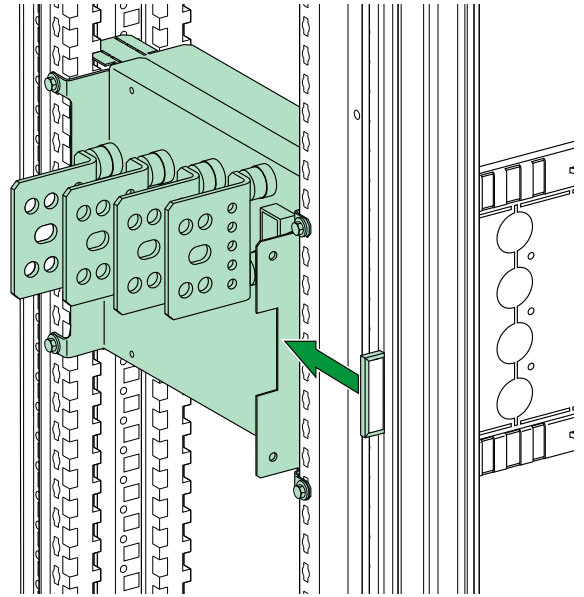
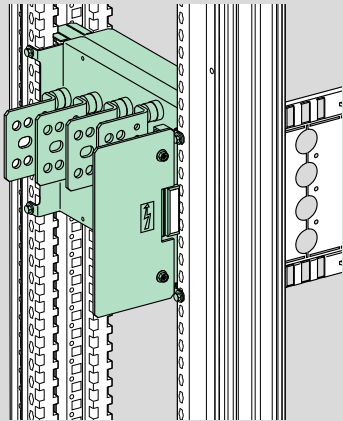
**E**

1



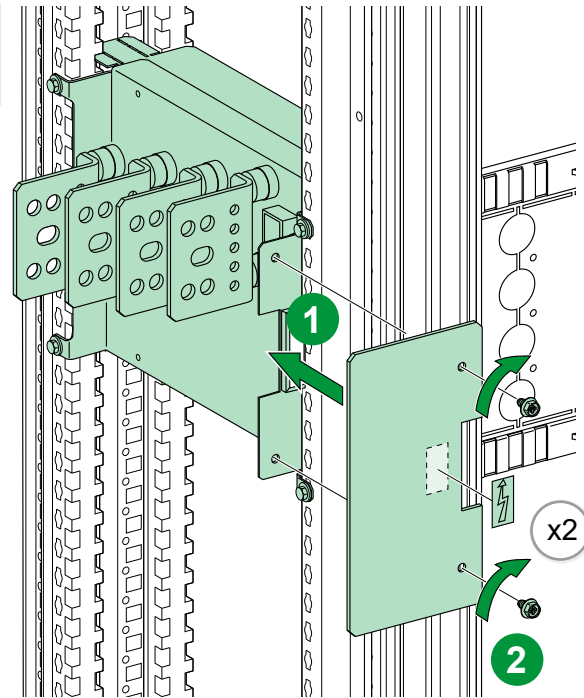
F

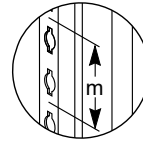
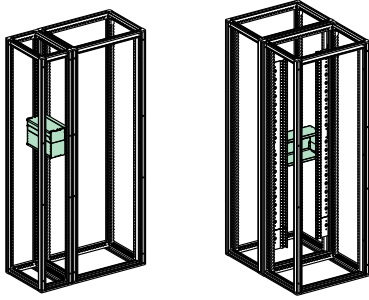
1

**G**

1

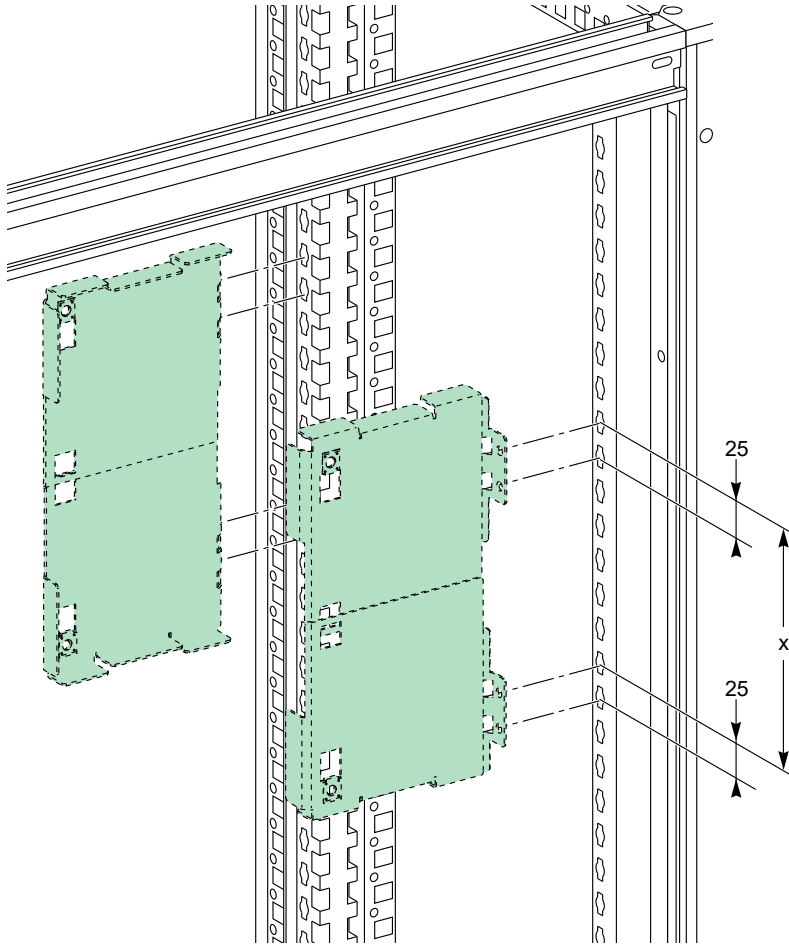
⊕ M6
7 Nm
61,96 lb-in



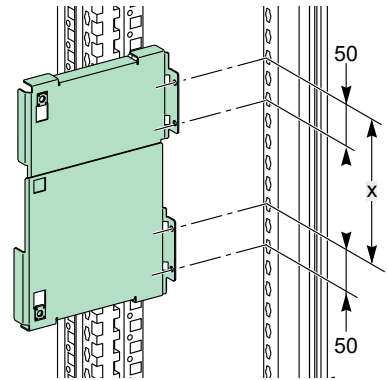


m = 50 mm

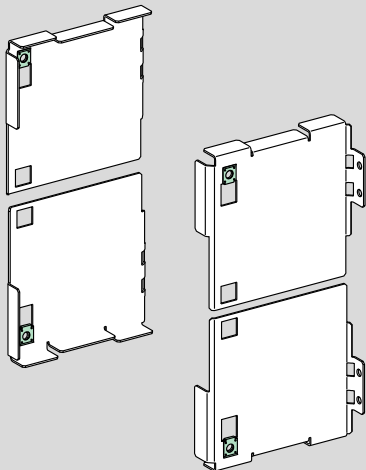
	LVS0660 X	LVS06601 X
3 m	50	
4 m	100	75
5 m	150	125
6 m		175



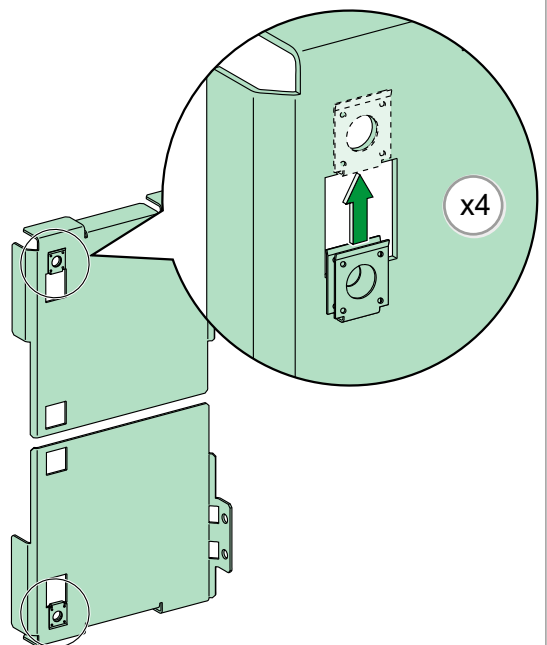
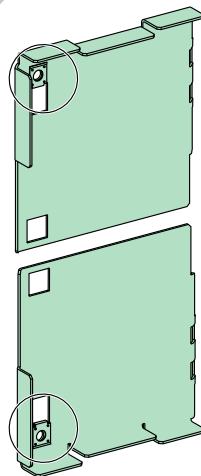
LVS06601

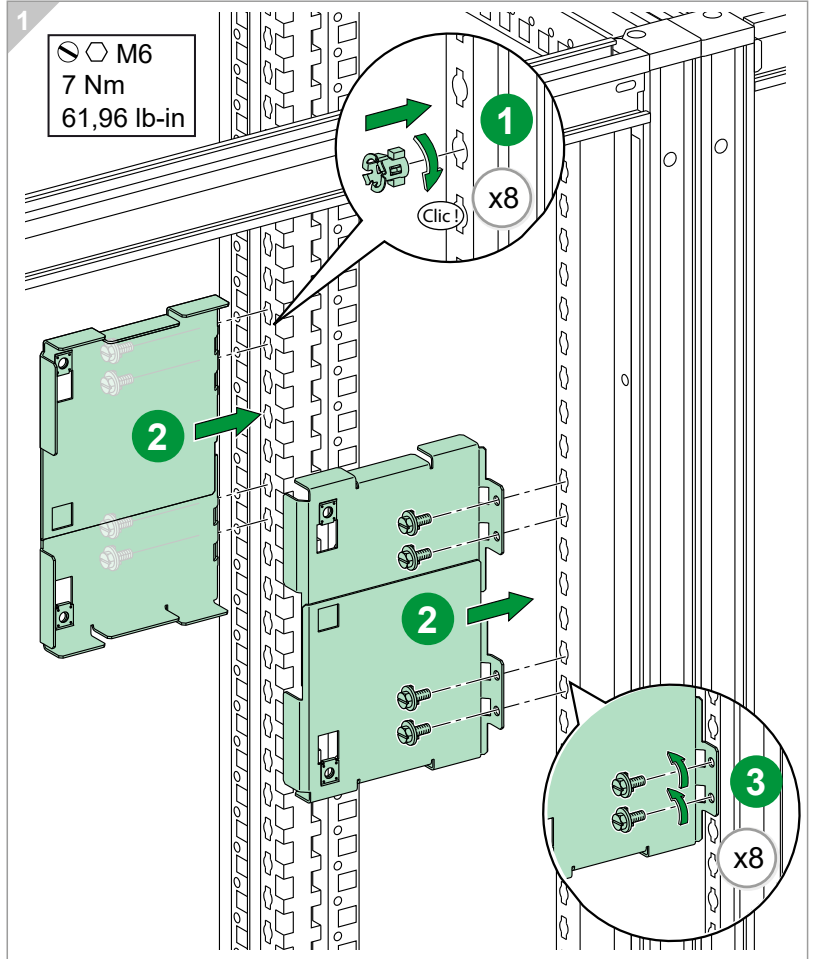
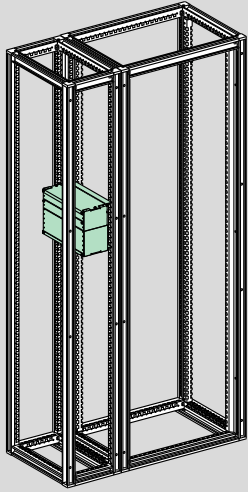
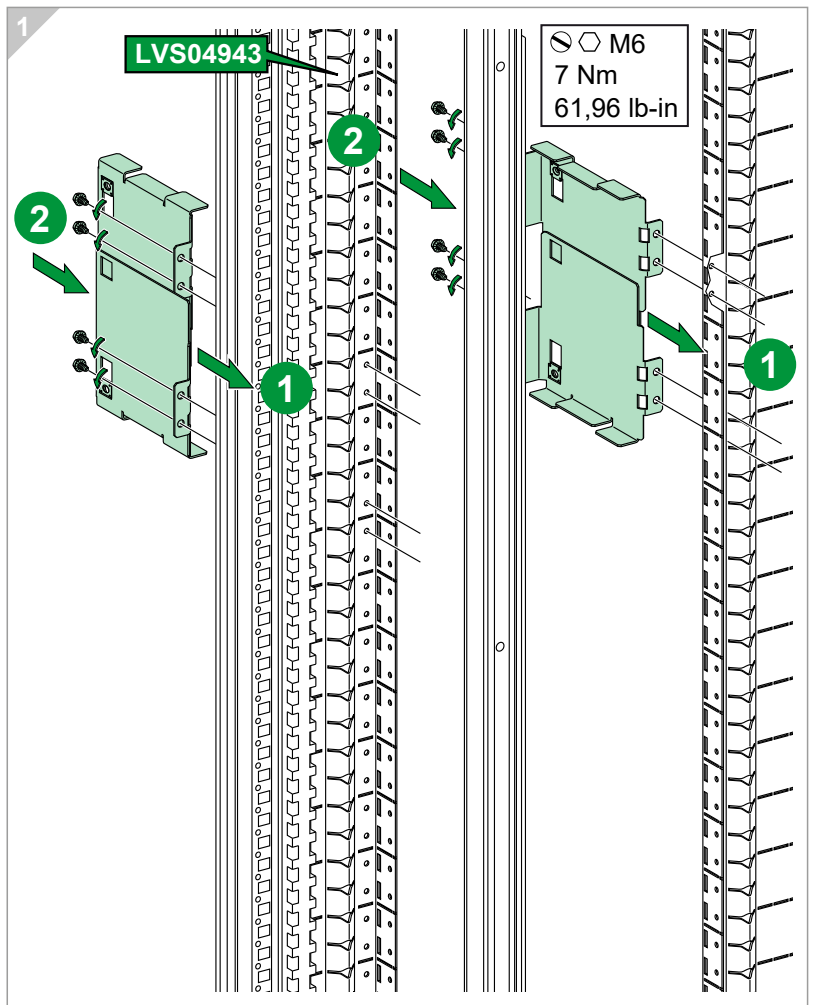
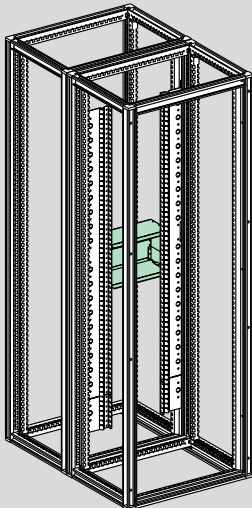


A

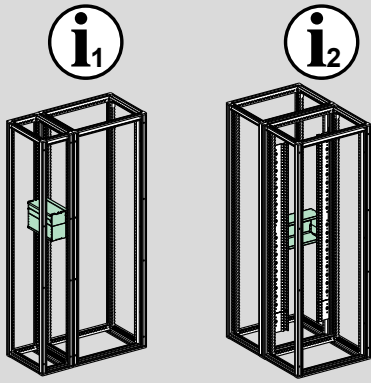


1

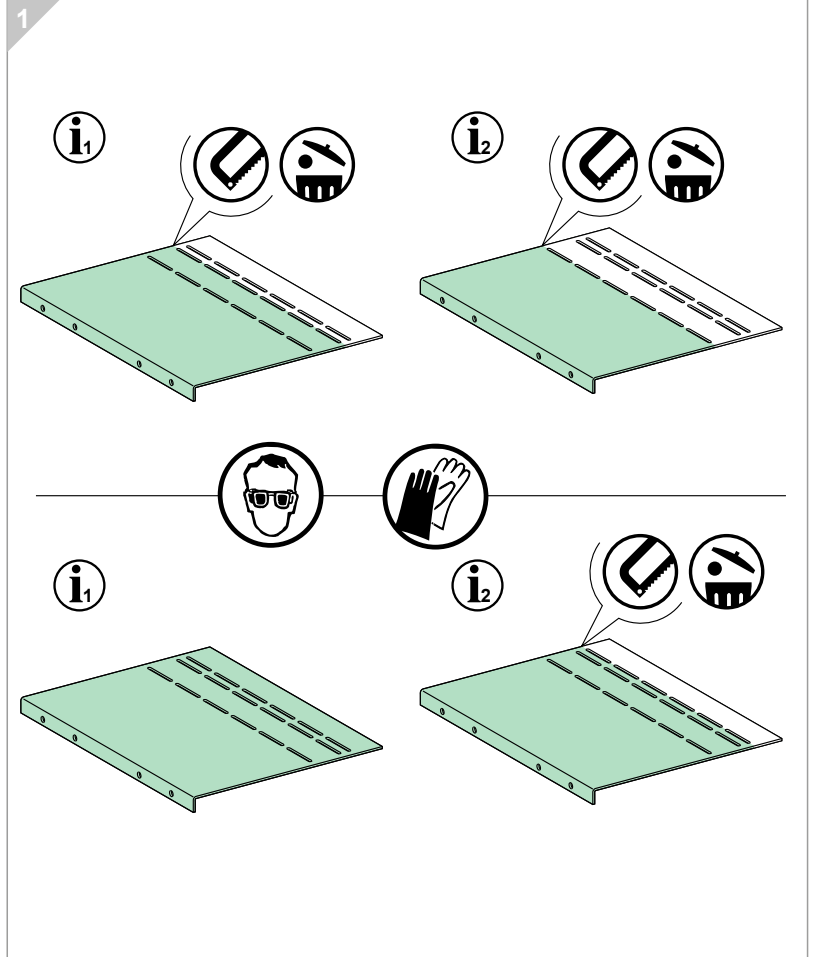
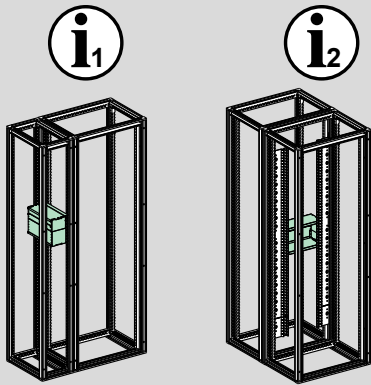


B**B'**

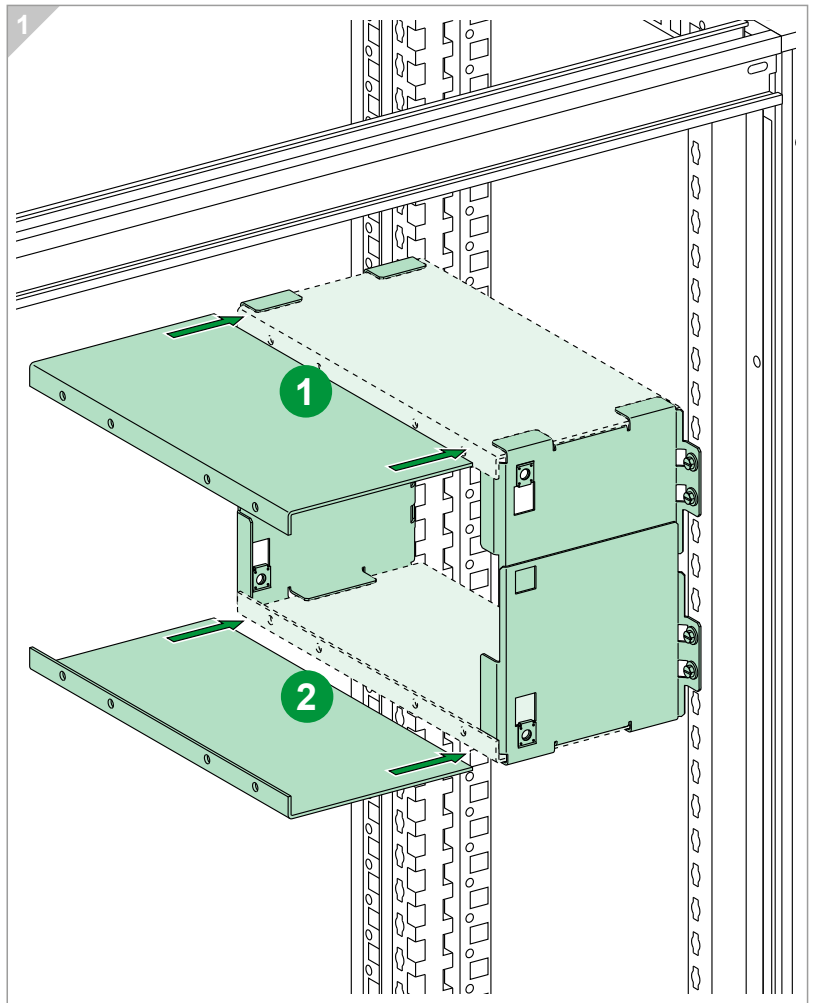
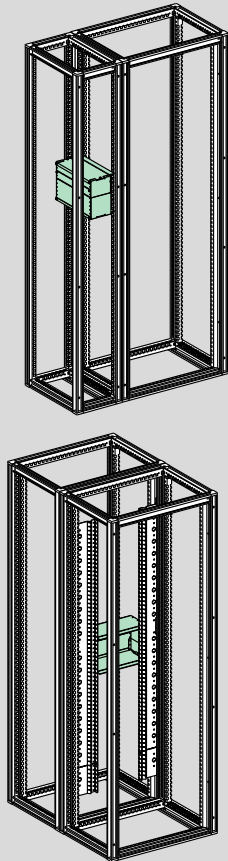
C LVS06600

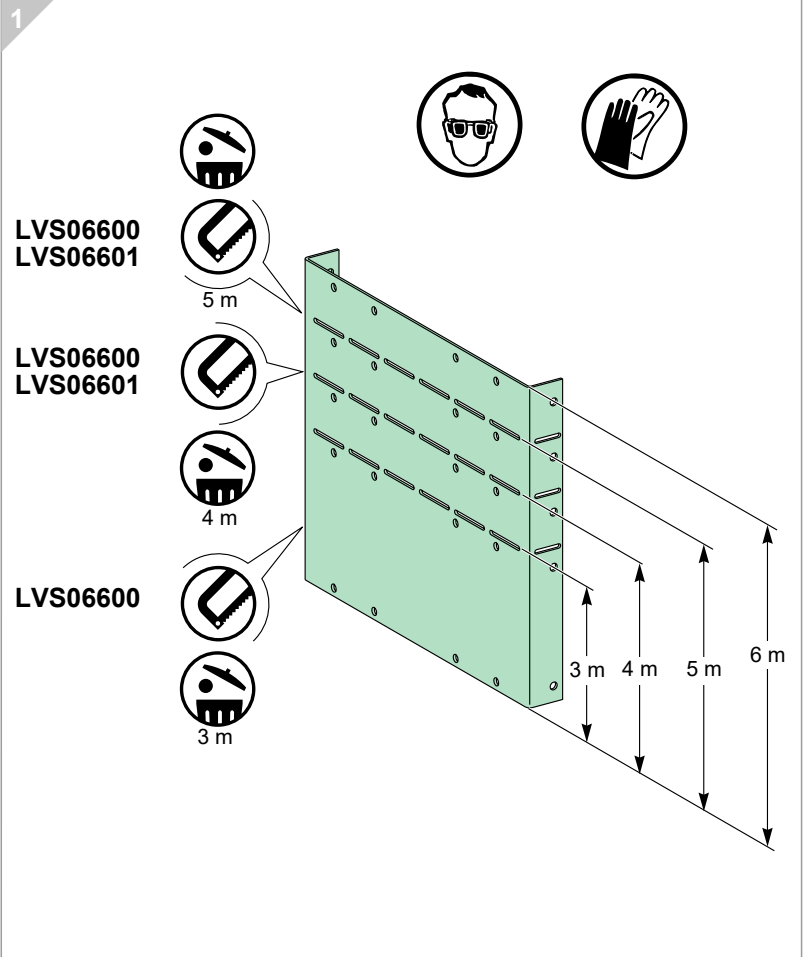
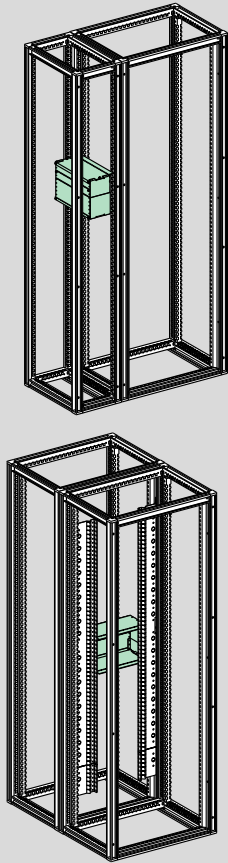
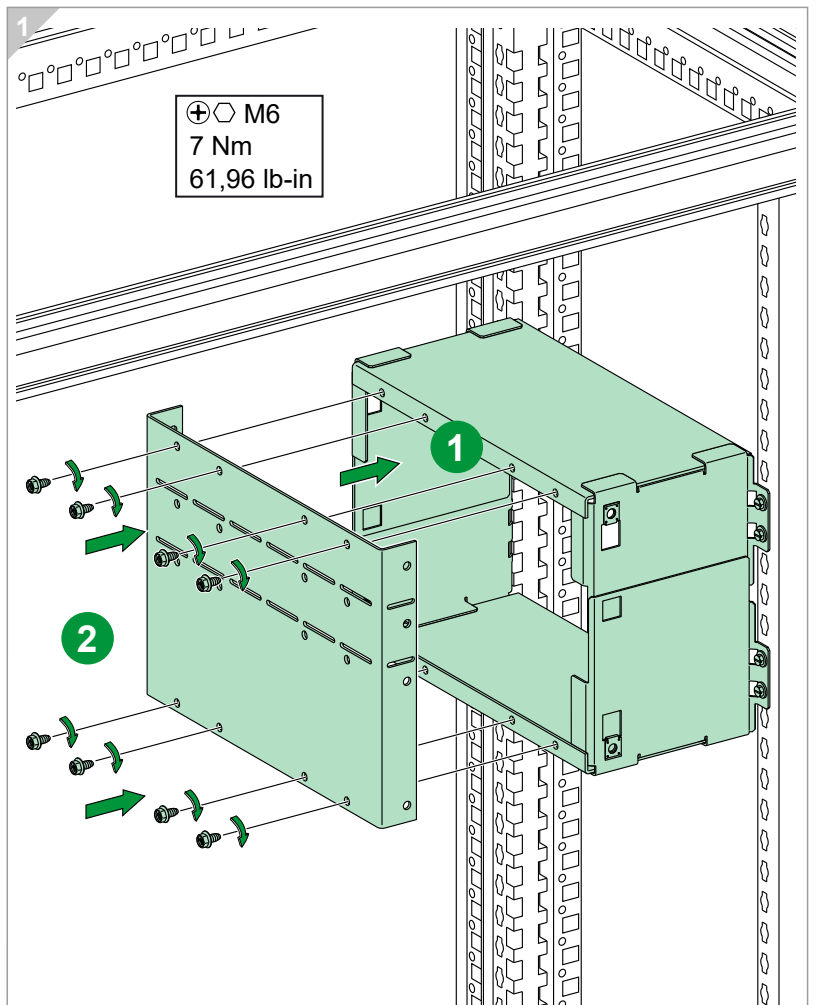
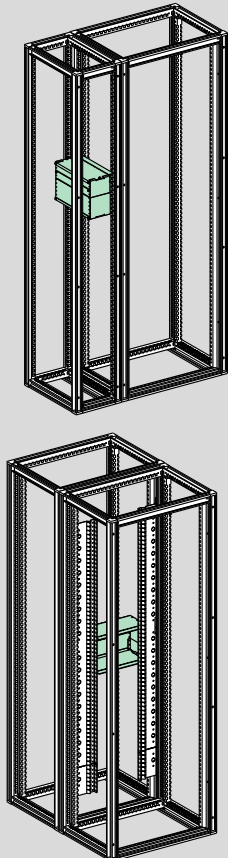


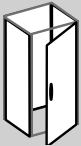
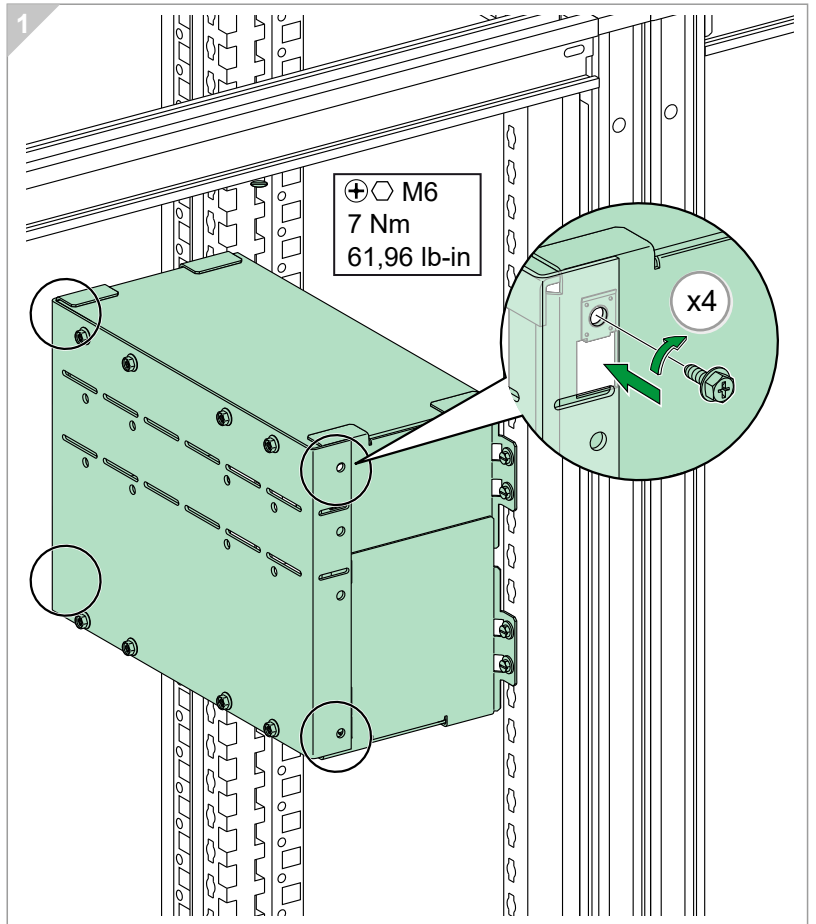
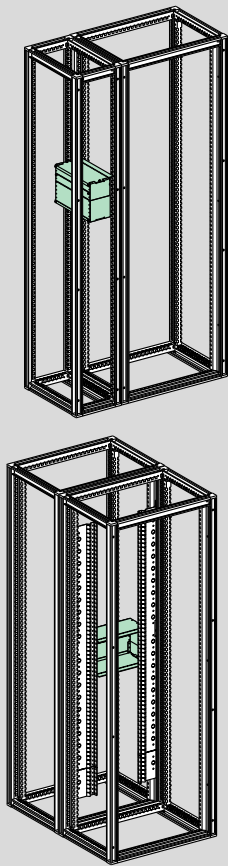
LVS06601



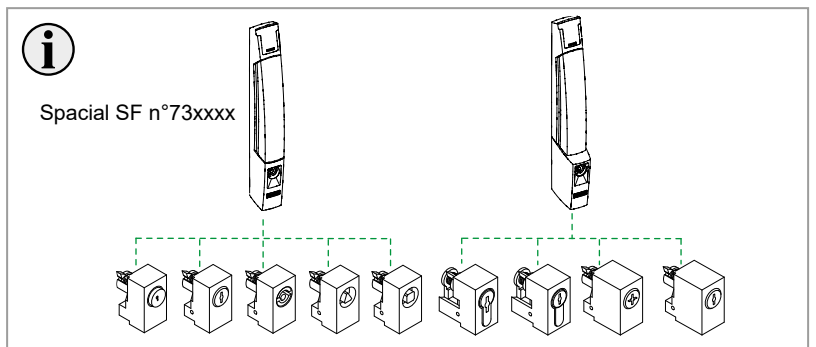
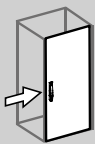
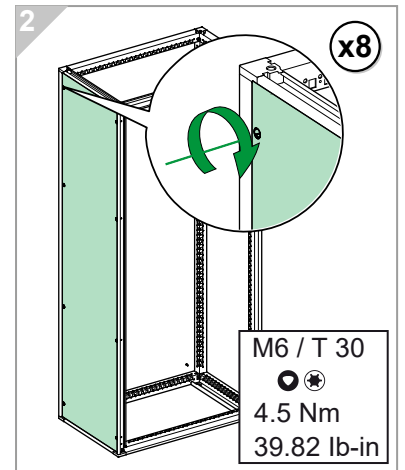
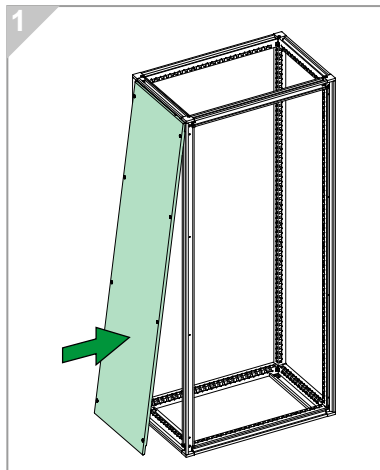
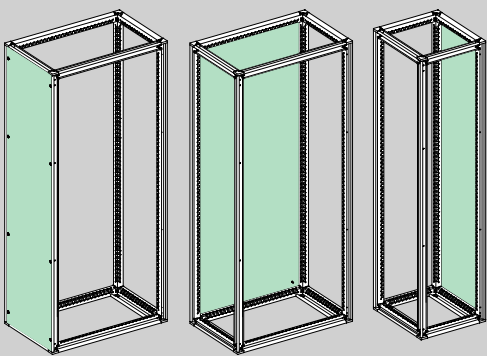
D

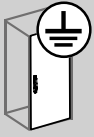


E**F**

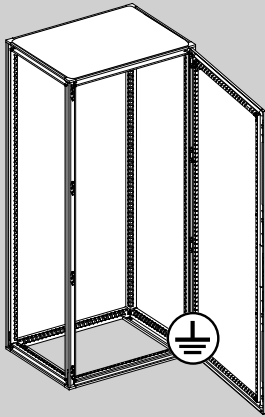
G

NSY2SP205 NSY2SP205ED
NSY2SP206 NSY2SP208ED
NSY2SP208

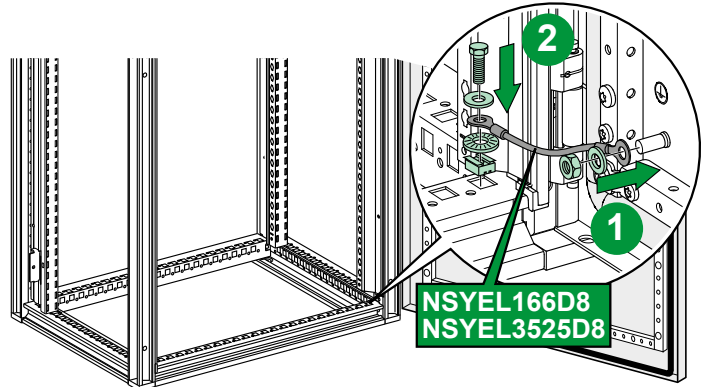
A



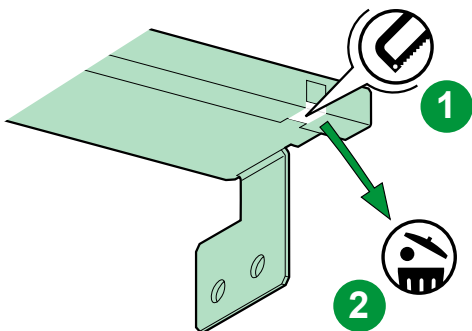
A



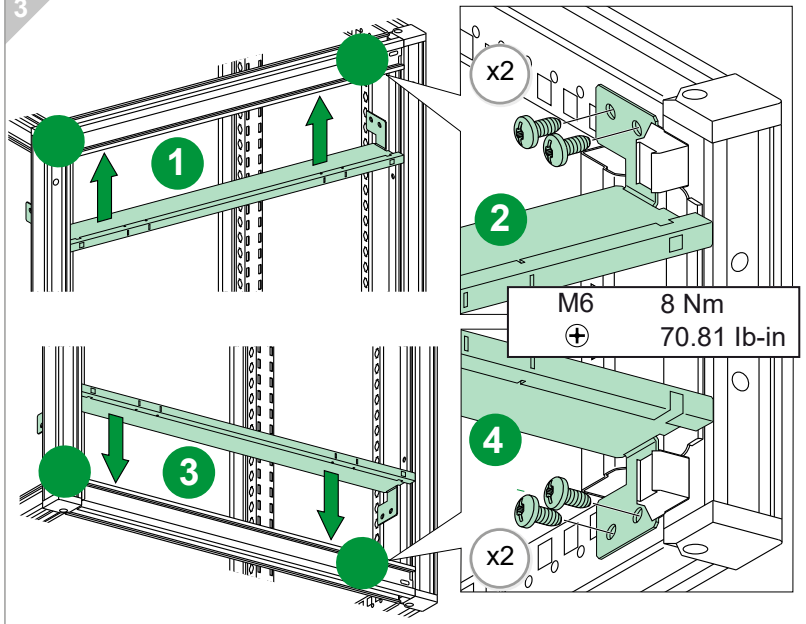
1



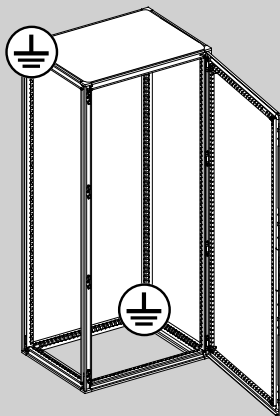
2



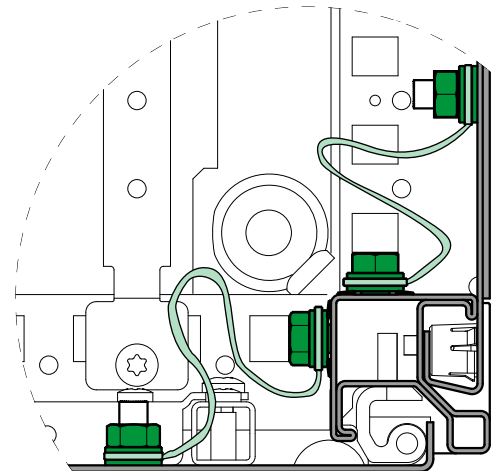
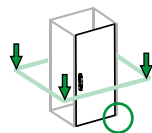
3

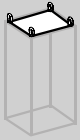


B



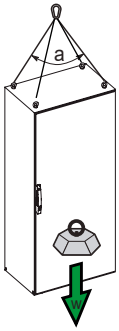
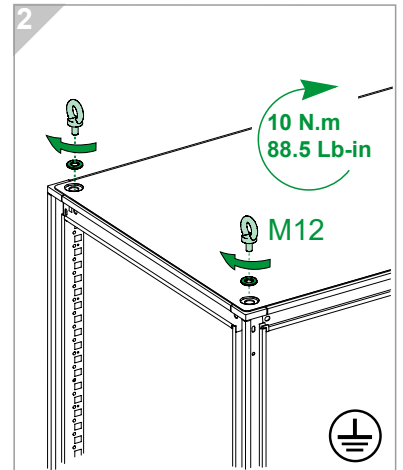
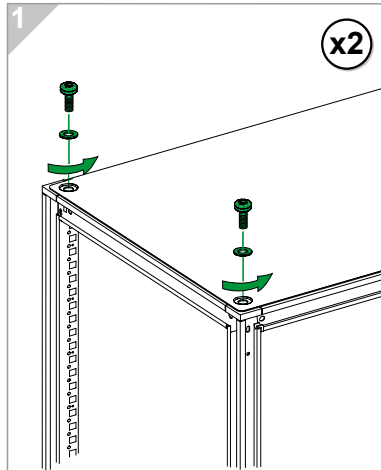
i





NSYSFEB

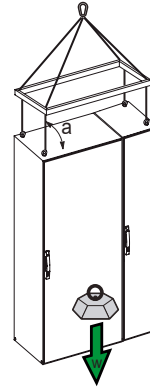
A



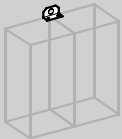
$a = 45^\circ$ $W < 580 \text{ kg} / 1277 \text{ lb}$
 $a = 60^\circ$ $W < 415 \text{ kg} / 914 \text{ lb}$
 $a = 90^\circ$ $W < 240 \text{ kg} / 528 \text{ lb}$



$a = 90^\circ$
 $W < 750 \text{ kg} / 1655 \text{ lb}$

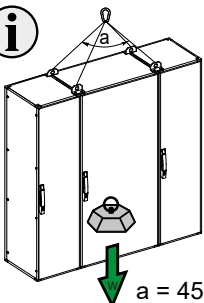
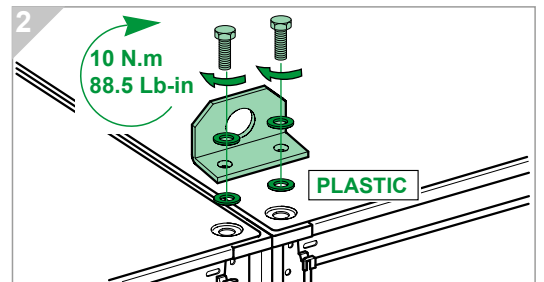
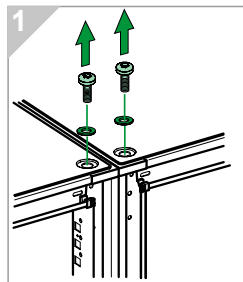
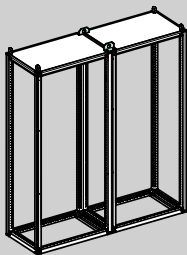


$a = 90^\circ$
 $W < 1360 \text{ kg} / 2998 \text{ lb}$

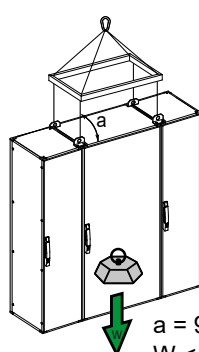


NSYSFELB

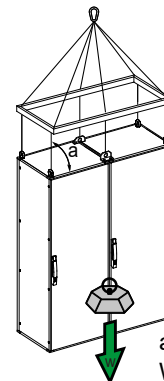
A



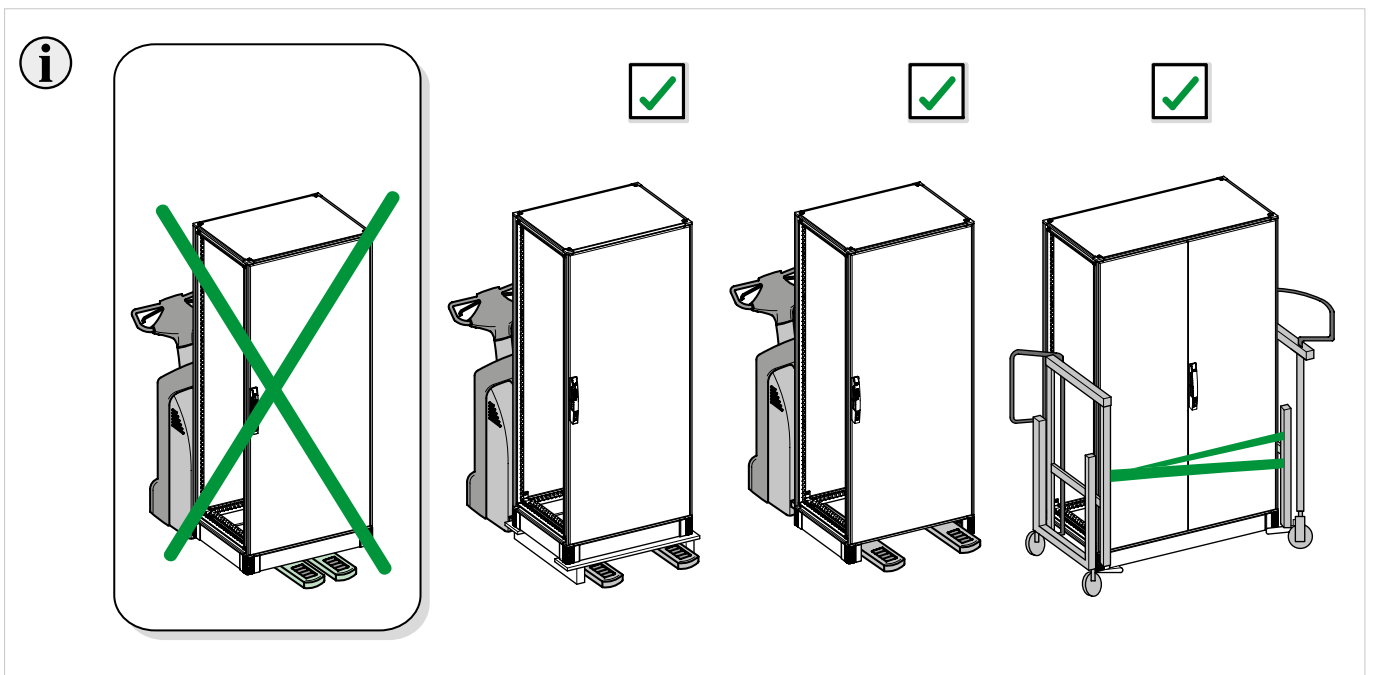
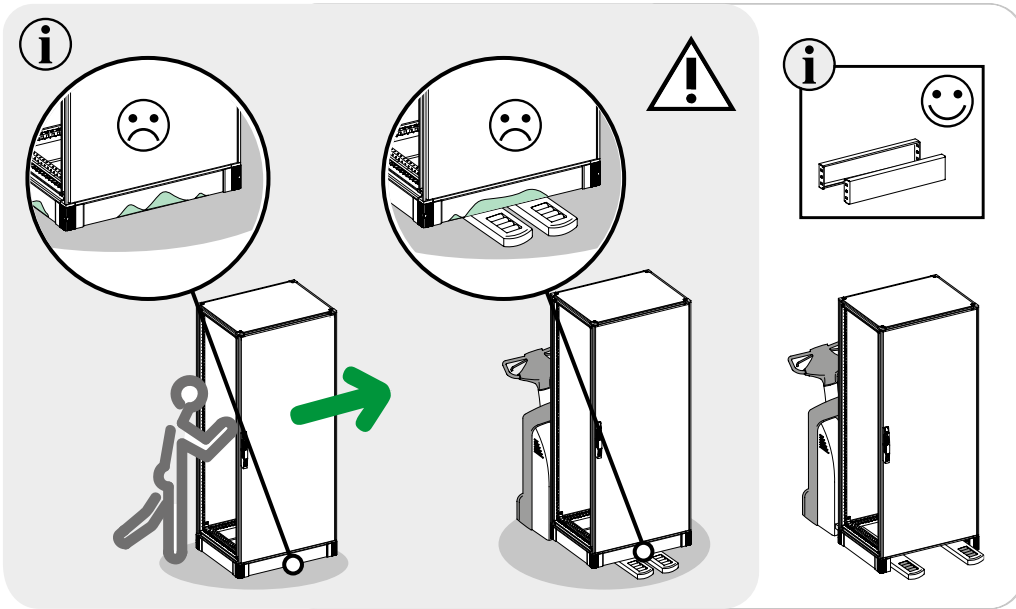
$a = 45^\circ$ $W < 2800 \text{ kg} / 6173 \text{ lb}$
 $a = 60^\circ$ $W < 2000 \text{ kg} / 4410 \text{ lb}$
 $a = 90^\circ$ $W < 1100 \text{ kg} / 2425 \text{ lb}$




$a = 90^\circ$
 $W < 3000 \text{ kg} / 6614 \text{ lb}$



$a = 90^\circ$
 $W < 1500 \text{ kg} / 3307 \text{ lb}$



 CAUTION / ATTENTION / ATENCIÓN / VORSICHT / ATTENZIONE / CUIDADO / 小心 / ВНИМАНИЕ	
<p>HAZARD OF EQUIPMENT DAMAGE Respect the information provided in the instruction to ensure the functioning of the product. Failure to follow these instructions can result in injury or equipment damage.</p>	<p>RISQUE DE DETERIORATION DU MATERIEL Respecter les informations fournies sur la notice pour garantir le fonctionnement du produit. Si ces directives ne sont pas respectées, cela peut entraîner des blessures ou des dommages matériels.</p>
<p>RIESGO DE DETERIORO DEL MATERIAL Respetar la información proporcionada en las instrucciones para garantizar el funcionamiento del producto. El incumplimiento de estas instrucciones puede causar lesiones o daño al equipo.</p>	<p>GEFAHR VON MATERIALSCHÄDEN Beachten Sie die Angaben in der Betriebsanleitung zur Verfügung gestellt, um die Funktionsweise des Produkts zu gewährleisten. Die Nichtbeachtung dieser Anweisungen kann Verletzungen oder Sachschäden zur Folge haben.</p>
<p>RISCHIO DI DANNI ALLE APPARECCHIATURE Rispettare le istruzioni fornite per garantire il funzionamento del prodotto. Il mancato rispetto di queste istruzioni può provocare infortuni o danni alle apparecchiature.</p>	<p>RISCO DE DETERIORAÇÃO DO MATERIAL Respeitar as informações fornecidas no manual de instruções para assegurar o funcionamento do produto. A não observância destas instruções pode provocar ferimentos pessoais, ou danos no equipamento.</p>
<p>设备受损风险 为保证正常使用该产品请仔细阅读本产品说明书。 不遵循上述说明可能导致人身伤害或设备损坏。</p>	<p>ОПАСНОСТЬ ПОВРЕЖДЕНИЯ ОБОРУДОВАНИЯ Следуйте информации, указанной в инструкции, для гарантии правильного функционирования продукта. Несоблюдение этих инструкций может привести к травме или повреждению оборудования.</p>

Schneider Electric Industries SAS

35, rue Joseph Monier
92500 Rueil-Malmaison
France

www.se.com

JYT7854201-00

En raison de l'évolution des normes et du matériel, les caractéristiques indiquées par le texte et les images de ce document ne nous engagent qu'après confirmation par nos services.

As standards, specifications and designs change from time to time, please ask for confirmation of the information given in this publication.

Publication : Schneider Electric
Réalisation : Schneider Electric
Impression :



Ce document a été imprimé sur du papier écologique.

This document has been printed on ecological paper.