

Start Downlight Flat 205 IP44 1550LM 830 DIM 0054122



Features

- START Downlight Flat IP44 DIM is an integrated LED recessed downlight with a separate, phase dimmable driver and loop in- out box, 17W; 1550Lm; 91Lm/W; 3000K; IP44 rated from the front.

Product Overview

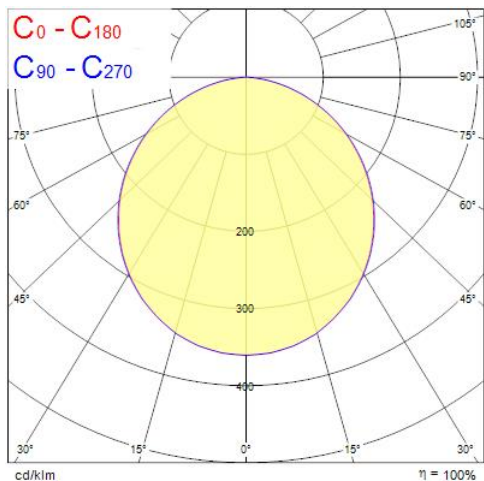
Product name	Start Downlight Flat 205 IP44 1550LM 830 DIM
Technology	LED
Cap/Base	N/A
Housing	Aluminium
Mount	Ceiling recessed mounting
E-number FI	4278497
Fixture luminous flux (lm)	1550
Luminaire efficacy (lm/W)	91
Colour temperature (K)	3000
Light colour	Warm White
CRI (Ra)	80
Colour Variation Initial (SDCM)	3
Glare control	< 28
Photobiological Risk Group	RG0
Total power consumption (W)	17
Electrical protection	Class II
Control gear type	LED driver constant current
LED Flickering Rate	Ultra low (5% or less)
Housing colour	RAL 9003 - Signal white
IP rating	IP44/20
IK rating	IK06
Product EAN number	5410288541228

Start Downlight Flat 205 IP44 1550LM 830 DIM 0054122

Warranty

5 years

Photometry

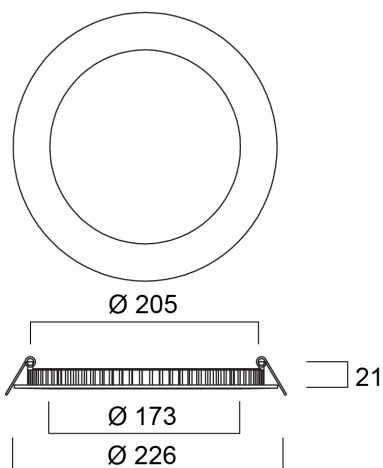


Distance [m]	Cone diameter [m]	E(0°)	E(C90)	E(C0)	Illuminance [lx]
0.5	1.43		55.0°	54.7°	2237
	1.41				212
1.0	2.86		55.0°	54.7°	559
	2.82				53
1.5	4.28		55.0°	54.7°	249
	4.24				24
2.0	5.71		55.0°	54.7°	140
	5.65				13
2.5	7.14		55.0°	54.7°	89
	7.06				8
3.0	8.57		55.0°	54.7°	62
	8.47				6

Distance [m] Cone diameter [m] Illuminance [lx]

— C0 - C180 (Half beam angle: 109.4°)
— C90 - C270 (Half beam angle: 110.0°)

Technical drawings



Data table

GENERAL DATA

Start Downlight Flat 205 IP44 1550LM 830 DIM 0054122

Product name	Start Downlight Flat 205 IP44 1550LM 830 DIM
Technology	LED
Cap/Base	N/A
Housing	Aluminium
Mount	Ceiling recessed mounting
Operating temperature range (°C)	-20°C...+40°C
Performance ambient temperature Tq (°C)	25
E-number FI	4278497
Warranty	5 years

OPTICAL DATA

Fixture luminous flux (lm)	1550
Luminaire efficacy (lm/W)	91
Colour temperature (K)	3000
Light colour	Warm White
CRI (Ra)	80
Colour Variation Initial (SDCM)	3
Glare control	< 28
Photobiological Risk Group	RG0

ELECTRICAL DATA

Total power consumption (W)	17
Primary Supply/Product voltage - min (V)	220
Lamp power factor	0.9
Electrical protection	Class II
Control gear required	No
Control gear type	LED driver constant current
Drive current (mA)	450
Inrush Current (A)	4.16
Inrush Duration (µs)	112
Glow Wire Test (°C)	650
Energy Efficiency Class (A->G) of contained light source	E

Start Downlight Flat 205 IP44 1550LM 830 DIM 0054122

Nominal Frequency (Hz)	50Hz
LED Flickering Rate	Ultra low (5% or less)
Max. products per 10A C Breaker	67
Max. products per 20A B Breaker	133
Connectable conductor cross section - Min (mm ²)	0.75
Connectable conductor cross section - Max (mm ²)	1.5

LIFETIME DATA

Lifespan L70 B50	78000
Lifespan L80 B20	43000
Lifespan L80 B10	42000
Lifespan L90 B10	23000

PHYSICAL DATA

Housing colour	RAL 9003 - Signal white
IP rating	IP44/20
IK rating	IK06
Diffuser finish	Opal
Diffuser material	PS Polystyrene
Nominal Product Diameter (mm)	226
Weight (kg)	0.546

PACKAGING

Single packaging type	Carton
Product EAN number	5410288541228
Packaging single width (cm)	5.0
Packaging single depth (cm)	23.3
DUN14 (outer)	15410288541225
Packaging outer length / height (cm)	53.3

SAFETY DATA

Start Downlight Flat 205 IP44 1550LM 830 DIM 0054122

Optimal operating condition (°C)	-20-40
Special purpose lamp	No
Dry applications use only	No
Suitable for household illumination	No