

Start Downlight Flat 157 IP44 1000LM 830 DIM 0054120



Features

- START Downlight Flat IP44 DIM is an integrated LED recessed downlight with a separate, phase dimmable driver and loop in- out box, 12W; 1000Lm; 83Lm/W; 3000K; IP44 rated from the front.

Product Overview

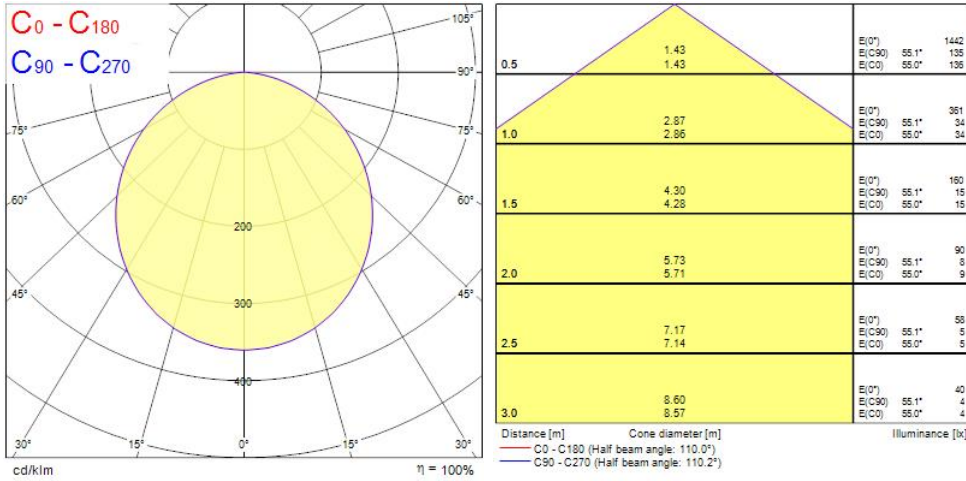
Product name	Start Downlight Flat 157 IP44 1000LM 830 DIM
Technology	LED
Cap/Base	N/A
Housing	Aluminium
Mount	Ceiling recessed mounting
E-number FI	4278493
Fixture luminous flux (lm)	1000
Luminaire efficacy (lm/W)	83
Colour temperature (K)	3000
Light colour	Warm White
CRI (Ra)	80
Colour Variation Initial (SDCM)	3
Glare control	< 28
Photobiological Risk Group	RG0
Total power consumption (W)	12
Electrical protection	Class II
Control gear type	LED driver constant current
LED Flickering Rate	Ultra low (5% or less)
Housing colour	RAL9003
IP rating	IP44/20
IK rating	IK06
Product EAN number	5410288541204

Start Downlight Flat 157 IP44 1000LM 830 DIM 0054120

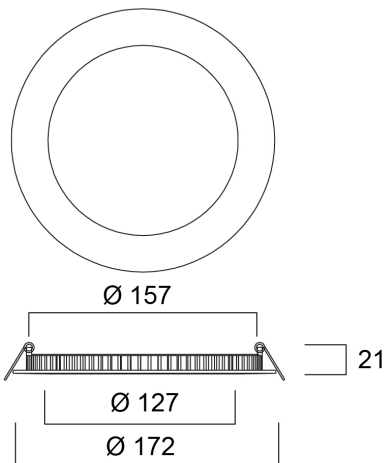
Warranty

5 years

Photometry



Technical drawings



Data table

GENERAL DATA

Start Downlight Flat 157 IP44 1000LM 830 DIM 0054120

Product name	Start Downlight Flat 157 IP44 1000LM 830 DIM
Technology	LED
Cap/Base	N/A
Housing	Aluminium
Mount	Ceiling recessed mounting
Operating temperature range (°C)	-20°C...+40°C
Performance ambient temperature Tq (°C)	25
E-number FI	4278493
Warranty	5 years

OPTICAL DATA

Fixture luminous flux (lm)	1000
Luminaire efficacy (lm/W)	83
Colour temperature (K)	3000
Light colour	Warm White
CRI (Ra)	80
Colour Variation Initial (SDCM)	3
Glare control	< 28
Photobiological Risk Group	RG0

ELECTRICAL DATA

Total power consumption (W)	12
Primary Supply/Product voltage - min (V)	220
Lamp power factor	0.9
Electrical protection	Class II
Control gear required	No
Control gear type	LED driver constant current
Drive current (mA)	300
Inrush Current (A)	2.35
Inrush Duration (µs)	120
Glow Wire Test (°C)	650
Energy Efficiency Class (A->G) of contained light source	E

Start Downlight Flat 157 IP44 1000LM 830 DIM 0054120

Nominal Frequency (Hz)	50Hz
LED Flickering Rate	Ultra low (5% or less)
Max. products per 10A C Breaker	95
Max. products per 20A B Breaker	190
Connectable conductor cross section - Min (mm ²)	0.75
Connectable conductor cross section - Max (mm ²)	1.5

LIFETIME DATA

Lifespan L70 B50	78000
Lifespan L80 B20	43000
Lifespan L80 B10	42000
Lifespan L90 B10	23000

PHYSICAL DATA

Housing colour	RAL9003
IP rating	IP44/20
IK rating	IK06
Diffuser finish	Opal
Diffuser material	PS Polystyrene
Nominal Product Diameter (mm)	172
Weight (kg)	0.354

PACKAGING

Single packaging type	Carton
Product EAN number	5410288541204
Packaging single width (cm)	5.0
Packaging single depth (cm)	17.6
DUN14 (outer)	15410288541201
Packaging outer length / height (cm)	53.3

SAFETY DATA

Start Downlight Flat 157 IP44 1000LM 830 DIM 0054120

Optimal operating condition (°C)	-20-40
Special purpose lamp	No
Dry applications use only	No
Suitable for household illumination	No