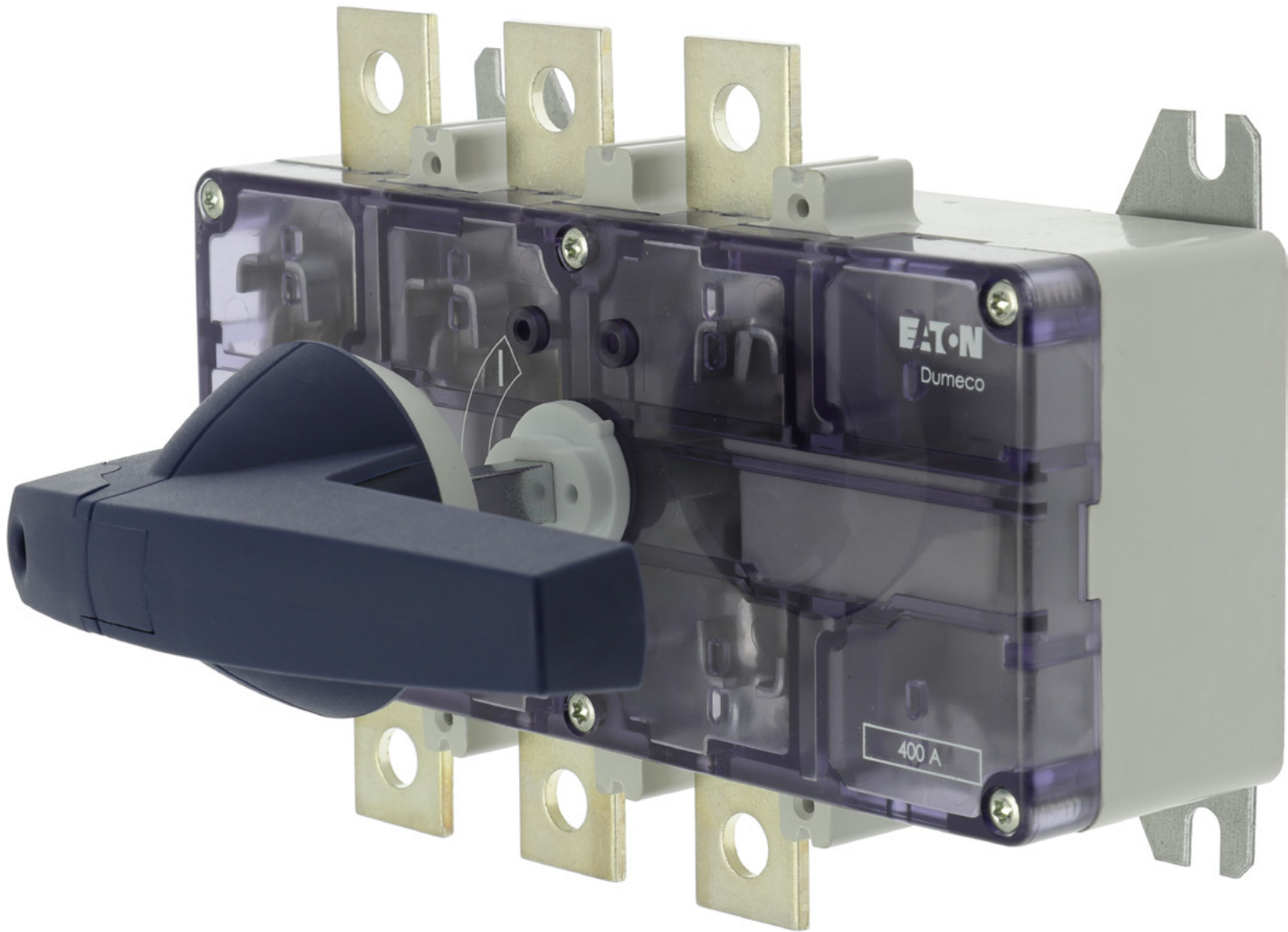


Industrial switch-disconnectors
Dumeco switch-disconnector ranges
QSA, Pasco and CCP2 fused switch-disconnectors





We make what matters work.*



At Eaton, we believe that power is a fundamental part of just about everything people do. That's why we're dedicated to helping our customers find new ways to manage electrical, hydraulic and mechanical power more efficiently, safely and sustainably. To improve people's lives, the communities where we live and work, and the planet our future generations depend upon. Because this is what really matters. And we're here to make sure it works.

To learn more go to: [Eaton.com/whatmatters](https://www.eaton.com/whatmatters)

EATON
Powering Business Worldwide

We make what matters work.

Safe switching, isolating and control

Eaton's high performance, high quality, robust Switch-disconnectors are the perfect solution for industrial switchboards and panels.

Starting from 25 A Fused switch-disconnectors right through to 3150 A Isolators, we have a wide range of products to suit a variety of industrial segment needs. In-built quality and reliability ensures the safety of both equipment and those who operate it. Eaton's switch range comes with a multitude of approvals making our products suitable for use worldwide.

Visit www.eaton.eu/switchdisconnectors for detailed product information on Eaton's switch-disconnectors (online catalogue, CAD models, data sheets and documentation).

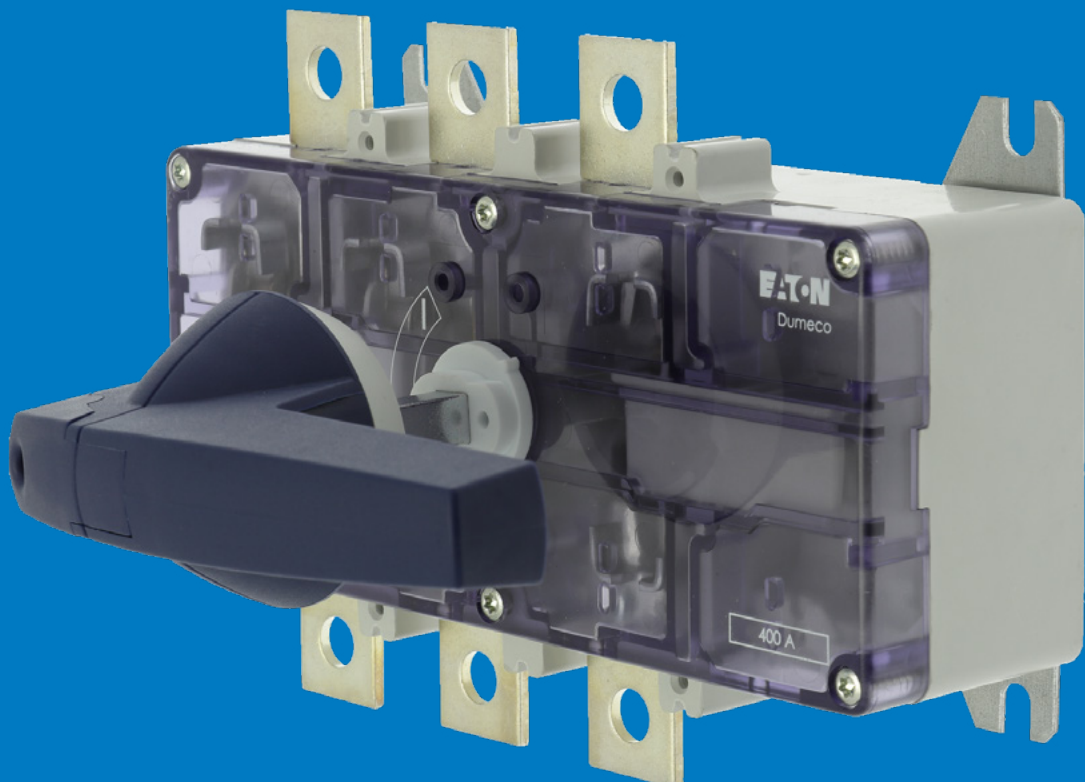


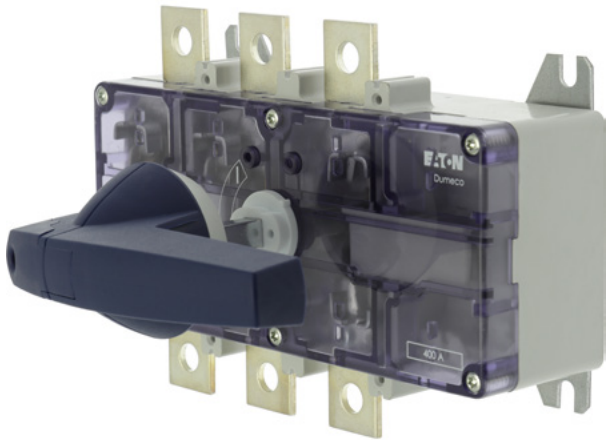
Table of contents

Switch-disconnectors, 160 A to 3150 A, 690 V a.c.	6
DMV Dumeco switch-disconnectors	6
Handles and shafts	9
Accessories	12
Technical data	13
Outline drawings	16
Switch-disconnectors, 40 A to 160 A, AC-23 A	20
DMM Dumeco switch-disconnectors	20
Handles and shafts	24
Accessories	26
Technical data	27
Outline drawings	28
Switch-disconnectors, 40 A and 63 A, AC-21 A and AC-22 A	30
DCM Duco switch-disconnectors, 40 A and 63 A, 415 V a.c.	30
Handles and shafts	32
Accessories	33
Technical data	34
Outline drawing	34
DMV Change-over mechanisms, 160 A to 2000 A, 690 V a.c.	36
DMV Change-over mechanisms, 160 A to 2000 A, 690 V a.c. for DMV switch-disconnectors	36
Handles and shafts	38
Outline drawings	40
DMV Multipole mechanisms , 160 A to 1000 A, 690 V a.c.	44
DMV Multipole mechanisms, 160 A to 1000 A, 690 V a.c.	44
Handles and shafts	45
Outline drawings	48
Change-over and multipole switches, 40 A to 100 A, 690 V a.c.	50
QM Change-over and multipole switches, 40 A to 100 A, 690 V a.c.	50
Accessories	52
Technical data	54
Outline drawings	55
Manual transfer switches, 16 A to 63 A, 690 V a.c.	56
MTS Manual transfer switches, 16 A to 63 A, 690 V a.c.	56
Technical data	58
Outline drawings	59

Fused switch-disconnectors, 40 A to 800 A, 690 V a.c.	61
QSA Fused switch-disconnector, 40 A to 800 A, 690 V a.c.	61
QSA Fused switch-disconnector, suitable for NH DIN Fuse links, 40 A to 800 A, 690 V a.c.	62
QSA Fused switch-disconnector, suitable for British Standard industrial fuse links, 40 A to 800 A, 690 V a.c.	63
Handles and shafts	64
Accessories	67
Technical data	71
Outline drawings	75
Compatible Eaton's Bussmann series Fuse links	81
Fused switch-disconnector 25 A, 35 A and 50 A, 400 V a.c.	87
Pasco Fused switch-disconnector, 25 A, 35 A and 50 A, 400 V a.c.	87
Pasco and Paco range overview	88
Accessories	88
Compatible Eaton's Bussmann series Fuse links	89
Outline drawings	89
Technical data	90
Switch-disconnectors for DC applications, 125 A to 1250 A, 800/1000 V d.c.	91
DDC Dumeco, 125 A to 1250 A, 800/1000 V d.c.	91
Handles and shafts	93
Accessories	95
Technical data	96
Outline drawings	98
K Type handles dimensions	100
A Type handles	100
C Type handles	101
D/P handles	102
D/C Type handles	103
CCP2 Compact circuit protector Class CF disconnect switches 30 A and 60 A	105
CCP2 class CF 30 A and 60 A, up to 600 V a.c./125 V d.c.	105
Handles and shafts	108
Accessories	109
Outline drawings	111
Index	115

Switch-disconnectors, 160 A to 3150 A, 690 V a.c.

DMV Dumeco switch-disconnectors



Description

The DMV Dumeco switch-disconnectors have excellent short-circuit making capacities thanks to their parallel knife contacts with double break per phase. They provide unbeatable safety protection for equipment and personnel involved in their operation and maintenance.

Standards/Approvals

- IEC 60947-3
- EAC
- KEMA-KEUR
- Lloyd's Register
- CCC up to 1250 A

Technical data

- Voltage: 690 V ac.
- Current: 160 A to 3150 A
- 3-pole, 3-pole + solid neutral and 4-pole
- Direct handle operation or with door mounted handle

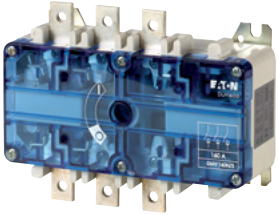
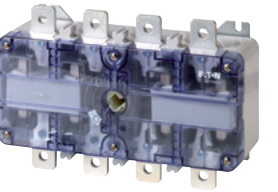
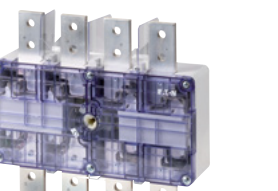



Features

- Parallel knife-contacts with double-break per phase
- Visible contact separation
- Forced contact breaking within 90 degrees
- Totally enclosed compact housing, made of non-tracking, heat resistant insulations material

DMV range overview

	160 A	250 A	400 A	630 A	1000 A	1250 A	1600 A	2000 A	2500 A	3150 A
Switch-disconnectors without operating shaft and handle	✓	✓	✓	✓	✓	✓	✓	✓		
Switch-disconnectors with operating shaft and C-Type handles		✓	✓	✓	✓					
Switch-disconnectors with 400 mm shaft and red/yellow or grey handle		✓	✓							
Switch-disconnectors with 300 mm shaft and K-Line handle									✓	✓

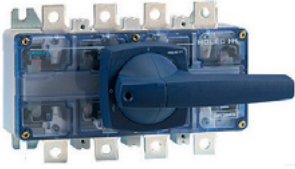
DMV without operating shaft and handle

	Current rating	Number of poles	Part number	Article number	Pack qty	Connection
	160 A	3P	DMV-160N/3	1814178	1	
	160 A	3P	DMV-160N/3+TC	1814175	1	With box terminal clamps
	160 A	3P	DMVS-160N/3	1814186	1	With larger bolt connection terminals
	160 A	3P + solid neutral	DMV-160N/1	1814177	1	
	160 A	3P + solid neutral	DMV-160N/1+TC	1814174	1	With box terminal clamps
	160 A	3P + solid neutral	DMVS-160N/1	1814187	1	With larger bolt connection terminals
	160 A	4P	DMV-160N/4	1814179	1	
	160 A	4P	DMV-160N/4+TC	1814176	1	With box terminal clamps
	160 A	4P	DMVS-160N/4	1814188	1	With larger bolt connection terminals
	250 A	3P	DMV-250N/3	1814408	1	
	250 A	3P + solid neutral	DMV-250N/1	1814409	1	
	250 A	4P	DMV-250N/4	1814410	1	
	400 A	3P	DMV-400N/3	1814411	1	
	400 A	3P + solid neutral	DMV-400N/1	1814412	1	
	400 A	4P	DMV-400N/4	1814413	1	
	630 A	3P	DMV-630N/3	1814442	1	
	630 A	3P + solid neutral	DMV-630N/1	1814443	1	
	630 A	4P	DMV-630N/4	1814444	1	
	1000 A	3P	DMV-1000N/3	1814445	1	
	1000 A	3P + solid neutral	DMV-1000N/1	1814446	1	
	1000 A	4P	DMV-1000N/4	1814447	1	
	1250 A	3P	DMV-1250N/3	1814590	1	
	1250 A	3P + solid neutral	DMV-1250N/1	1814591	1	
	1250 A	4P	DMV-1250N/4	1814592	1	
	1600 A	3P	DMV-1600N/3	1814595	1	
	1600 A	3P + solid neutral	DMV-1600N/1	1814596	1	
	1600 A	4P	DMV-1600N/4	1814597	1	
	2000 A	3P	DMV-2000N/3	1814065	1	

Switch-disconnectors, 160 A to 3150 A, 690 V a.c.

DMV Dumeco switch-disconnectors

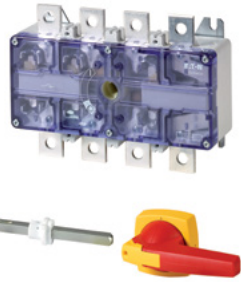
DMV with operating shaft and knob for cover mounting, without interlock function, for example when mounted on the cover of Eaton's Halyester enclosure range



1814422

Current rating	Number of poles	Part number	Article number	Pack qty
250 A	3P	DMV-250N/3+SH	1814420	1
250 A	3P + solid neutral	DMV-250N/1+SH	1814421	1
250 A	4P	DMV-250N/4+SH	1814422	1
400 A	3P	DMV-400N/3+SH	1814423	1
400 A	3P + solid neutral	DMV-400N/1+SH	1814424	1
400 A	4P	DMV-400N/4+SH	1814425	1
630 A	3P	DMV-630N/3+SH	1814448	1
630 A	3P + solid neutral	DMV-630N/1+SH	1814449	1
630 A	4P	DMV-630N/4+SH	1814450	
1000 A	3P	DMV-1000N/3+SH	1814451	1
1000 A	3P + solid neutral	DMV-1000N/1+SH	1814452	1
1000 A	4P	DMV-1000N/4+SH	1814453	1

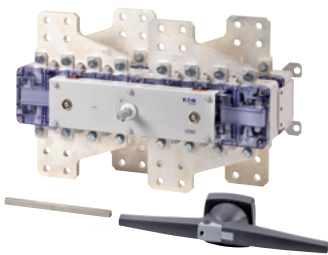
DMV with padlockable rotary handle, with door interlock function and 400 mm metal shaft



6094966

Current rating	Number of poles	Handle with padlock	Shaft length	Part number	Article number	Pack qty
250 A	3P	Red/Yellow	400 mm	DMV-250/3/M4/P-R	6094966	1
250 A	3P	Grey	400 mm	DMV-250/3/M4/P-G	6099271	1
250 A	4P	Red/Yellow	400 mm	DMV-250/4/M4/P-R	6094970	1
250 A	4P	Grey	400 mm	DMV-250/4/M4/P-G	6099273	1
400 A	3P	Red/Yellow	400 mm	DMV-400/3/M4/P-R	6094967	1
400 A	3P	Grey	400 mm	DMV-400/3/M4/P-G	6099272	1
400 A	4P	Red/Yellow	400 mm	DMV-400/4/M4/P-R	6094971	1
400 A	4P	Grey	400 mm	DMV-400/4/M4/P-G	6099274	1

DMV with padlockable rotary handle, with door interlock function and 300 mm metal shaft, supplied with two 1NO + 1NC auxiliaries



6084846

Current rating	Number of poles	Handle with padlock	Shaft length	Part number	Article number	Pack qty
2500 A	3P	Grey	300 mm	DMV-2500/3/M6/2HI11/K6-PG	6093244	1
2500 A	3P + neutral	Grey	300 mm	DMV-2500/3N/M6/2HI11/K6-PG	6093243	1
2500 A	4P	Grey	300 mm	DMV-2500/4/M6/2HI11/K6-PG	6093242	1
3150 A	3P	Grey	300 mm	DMV-3150/3/M6/2HI11/K6-PG	6084848	1
3150 A	3P + neutral	Grey	300 mm	DMV-3150/3N/M6/2HI11/K6-PG	6084847	1
3150 A	4P	Grey	300 mm	DMV-3150/4/M6/2HI11/K6-PG	6084846	1

Handles and shafts

Handles mounting types overview

DMV	K Types handles	Shaft square mm	A Type handles			C Type handles		D/P Type handles			D/C Type handles		
			Blue	Red	Grey	Blue	Red	Blue	Red/Yellow	Grey	Blue	Red/Yellow	Grey
DMV 160N	K2S	6 x 6	✓	✓		✓	✓	✓	✓	✓	✓	✓	✓
DMVS 160N	K3	10 x 10	✓	✓	✓	✓	✓	✓	✓	✓	✓	✓	✓
DMV 250N	K3	10 x 10	✓	✓	✓	✓	✓	✓	✓	✓	✓	✓	✓
DMV 400N	K3	10 x 10	✓	✓	✓	✓	✓	✓	✓	✓	✓	✓	✓
DMV 630N	K5	14 x 14	✓	✓	✓	✓	✓	✓	✓	✓	✓	✓	✓
DMV 1000N	K5	14 x 14	✓	✓	✓	✓	✓	✓	✓	✓	✓	✓	✓
DMV 1250N	K6	14 x 14	✓	✓	✓	✓	✓	✓	✓	✓	✓	✓	✓
DMV 1600N	K6	14 x 14	✓	✓	✓	✓	✓	✓	✓	✓	✓	✓	✓
DMV 2000N	K6	14 x 14	✓	✓	✓	✓	✓	✓	✓	✓	✓	✓	✓
DMV 2500	K6	14 x 14								✓			
DMV 3150	K6	14 x 14								✓			

A Type: Handle mounted directly on switch

C Type: Handle without interlock function, for example when mounted on the cover of Eaton's Halyester enclosure range

D/P Type: Handle padlockable for mounting on hinged door, with interlock function

D/C Type: Handle with cylinder lock for mounting on hinged door, supplied with two keys, with interlock function

See handles dimensions pages 95 to 98

A Type handles

Mounted directly on switch, suitable for DMV 160N



K2S A handle
1818003

K3 A handle
1818202

K5 A handle
1818012

K6 A handle
1818013

Shafts

DMV	A Type handles		Metal shafts	Shaft length						Pack qty
	Blue	Red		116 mm	132 mm	148 mm	172 mm	270 mm	400 mm	
DMV 160N	K2SAB 1818003	K2SAR 1818004	6 x 6	4K6116MMK1/2S 1314996	4K6132MMK1/2S 1314751	4K6148MMK1/2S 1314752	4K6172MMK1/2S 1314691	4K6270MMK1/2S 1314692	4K6400MMK1/2S 1314693	1

Mounted directly on switch, suitable for DMVS 160N up to DMV 2000N

DMV	A Type handles			Metal shafts	Shaft length					Pack qty
	Blue	Red	Grey		135 mm	200 mm	245 mm	400 mm	600 mm	
DMVS 160N										
DMV 250N	K3AB 1818110	K3AR 1818111	K3AG 1818202	10 x 10	4K10K3H135 1050240		4K10K3H245 1050242	4K10K3H400 1050243		1
DMV 400N										
DMV 630N	K5AB 1818011	K5AR 1818012		14 x 14		4K14K5H200 1050244		4K14K5H400 1050247	4K14K5H600 6090659	1
DMV 1000N										
DMV 1250N										
DMV 1600N	K6AB 1818013	K6AR 1818014		14 x 14		4K14K6H200 1050248		4K14K6H400 1050250		1
DMV 2000N										

Switch-disconnectors, 160 A to 3150 A, 690 V a.c.

DMV Dumeco switch-disconnectors

Handles and shafts

C Type handles

Without interlock function, for example when mounted on the cover of Eaton's Halyester enclosure rangesuitable for DMV 160N



DMV	C Type handles		Shaft mm□	Metal shafts						Pack qty
	Blue	Red		Shaft length						
DMV 160N	K2SCB 1818017	K2SCR 1818018	6 x 6	4K6116MMK1/2S 1314996	4K6132MMK1/2S 1314751	4K6148MMK1/2S 1314752	4K6172MMK1/2S 1314691	4K6270MMK1/2S 1314692	4K6400MMK1/2S 1314693	1

Without interlock function, for example when mounted on the cover of Eaton's Halyester enclosure range, suitable for DMVS 160N up to DMV 2000N

DMV	C Type handles		Shaft mm□	Metal shafts					Pack qty
	Blue	Red/ yellow		Shaft length					
DMVS 160N				135 mm	200 mm	245 mm	400 mm	600 mm	
DMV 250N	K3CB 1818068	K3CR 1818112	10 x 10	4K10K3H135 1050240		4K10K3H245 1050242	4K10K3H400 1050243		1
DMV 400N									
DMV 630N	K5CB 1818025	K5CR 1818026	14 x 14		4K14K5H200 1050244		4K14K5H400 1050247	4K14K5H600 6090659	1
DMV 1000N									
DMV 1250N									
DMV 1600N	K6CB 1818027	K6CR 1818028	14 x 14		4K14K6H200 1050248		4K14K6H400 1050250		1
DMV 2000N									

D/P Type handles

Padlockable for mounting on hinged door, with interlock function, suitable for DMV 160N



DMV	D/P Type handles			Shaft mm□	Metal shafts						Pack qty
	Blue	Red	Grey		Shaft length						
DMV 160N	K2SDB/P 1818032	K2SDR/P 1818033	K2SDG/P 1818034	6 x 6	4K6116MMK1/2S 1314996	4K6132MMK1/2S 1314751	4K6148MMK1/2S 1314752	4K6172MMK1/2S 1314691	4K6270MMK1/2S 1314692	4K6400MMK1/2S 1314693	1

Handles and shafts

D/P Type handles

Padlockable for mounting on hinged door, with interlock function, suitable for DMVS 160N up to DMV 2000N

DMV	D/P Type handles			Metal shafts					Pack qty	
	Handle colours			Shaft mm□	Length of shaft					
	Blue	Red	Grey		135 mm	200 mm	245 mm	400 mm		600 mm
DMVS 160N				10 x 10						1
DMV 250N	K3DB/P 1818113	K3DR/P 1818096	K3DG/P 1818069		4K10K3H135 1050240		4K10K3H245 1050242	4K10K3H400 1050243		
DMV 400N										
DMV 630N				14 x 14		4K14K5H200 1050244		4K14K5H400 1050247	4K14K5H600 6090659	1
DMV 1000N	K5DB/P 1818056	K5DR/P 1818057	K5DG/P 1818058							
DMV 1250N				14 x 14						1
DMV 1600N	K6DB/P 1818062	K6DR/P 1818063	K6DG/P 1818064		4K14K6H200 1050248			4K14K6H400 1050250		
DMV 2000N										

D/C Type handles

With cylinder lock for mounting on hinged door, supplied with two keys, with interlock function, suitable for DMV 160N



DMV	D/C Type handles			Metal shafts						Pack qty	
	Handle colours			Shaft mm□	Length of shafts						
	Blue	Red	Grey		116 mm	132 mm	148 mm	172 mm	270 mm		400 mm
DMV 160N	K2SDB/C 1818038	K2SDR/C 1818039	K2SDR/C 1818040	6 x 6	4K6116MMK1/2S 1314996	4K6132MMK1/2S 1314751	4K6148MMK1/2S 1314752	4K6172MMK1/2S 1314691	4K6270MMK1/2S 1314692	4K6400MMK1/2S 1314693	1

With cylinder lock for mounting on hinged door, supplied with two keys, with interlock function, suitable for DMVS 160N up to DMV 2000N

DMV	D/C Type handles			Metal shafts					Pack qty	
	Handle Type			Shaft mm□	Shaft length					
	Blue	Red	Grey		135 mm	200 mm	245 mm	400 mm		600 mm
DMVS 160N				10 x 10						1
DMV 250N	K3DB/C 1818114	K3DR/C 1818097	K3DG/C 1818070		4K10K3H135 1050240		4K10K3H245 1050242	4K10K3H400 1050243		
DMV 400N										
DMV 630N				14 x 14		4K14K5H200 1050244		4K14K5H400 1050247	4K14K5H600 6090659	1
DMV 1000N	K5DB/C 1818059	K5DR/C 1818060	K5DG/C 1818061							
DMV 1250N				14 x 14						1
DMV 1600N	K6DB/C 1818065	K6DR/C 1818066	K6DG/C 1818067		4K14K6H200 1050248			4K14K6H400 1050250		
DMV 2000N										

Switch-disconnectors, 160 A to 3150 A, 690 V a.c.

DMV Dumeco switch-disconnectors

Accessories

Transparent terminal cover



400894

DMV Type	Part number	Article number	Pack qty
DMV 160N	COVERDMV160	1314230	1
DMVS 160N, DMV 250N, DMV 400N	EXTENDED-COVERDMVS160N/400N	EP-400894	1
DMV 630N and DMV 1000N	COVERDMV630N/1000N	1314830	1

Auxiliary switch, including fixing adaptor



1314398

DMV Type	Part number	Article number	Pack qty
DMV 160N	AUX1NO+1NCDMV160N	1314398	1
DMVS 160N, DMV 250N up to DMV 2000N	AUX1NO+1NCDMVS160-2000	1314736	1

Spare connection kits (Connection kits are supplied with switch-disconnector as standard)



1314031

DMV Type	Bolt connection	Part number	Article number	Pack qty
DMV 160N	M6 x 20	KITM6X20	1314031	1
DMVS 160N, DMV 250N	M8 x 20	KITM8X20	1314927	1
DMV 400N	M10 x 20	KITM10X20	1314915	1
DMV 630N	M10 x 30	KITM10X30	1314648	1
DMV 1000N	M12 x 35	KITM12X35	1314857	1

Shaft extension kit for extending shaft length



1050256

DMV Type	100 mm		200 mm		Pack qty
	Part number	Article number	Part number	Article number	
DMV 1250 N	K6100VERL	1050256	K6200VERL	1050257	1
DMV 1600N				1050257	1

Technical data

			DMV 160N	DMVS 160N	DMV 250N	DMV 400N	DMV 630N
Conventional free air thermal current	I_{th}		160 A	160 A	250 A	400 A	630 A
Conventional enclosed thermal current	I_{the}		160 A	160 A	250 A	400 A	630 A
Rated uninterrupted current	I_u		160 A	160 A	250 A	400 A	630 A
Rated operational voltage	U_e		690 V a.c.	690 V a.c.	690 V a.c.	690 V a.c.	690 V a.c.
Rated insulation voltage	U_i		1000 V	1000 V	1000 V	1000 V	1000 V
Rated impulse withstand voltage	U_{imp}		8 kV	8 kV	8 kV	8 kV	12 kV
Rated frequency			50 - 60 Hz	50 - 60 Hz	50 - 60 Hz	50 - 60 Hz	50 - 60 Hz
Ambient temperature	Operation temperature		-25°C...55°C	-25°C...55°C	-25°C...55°C	-25°C...55°C	-25°C...55°C
	Storage temperature		-30°C...80°C	-30°C...80°C	-30°C...80°C	-30°C...80°C	-30°C...80°C
Rated operational current							
AC-21A	At $U_e = 415$ V AC-21A	I_e	160 A	160 A	250 A	400 A	630 A
	At $U_e = 500$ V AC-21A	I_e	160 A	160 A	250 A	400 A	630 A
	At $U_e = 690$ V AC-21A	I_e	125 A	160 A	250 A	400 A	630 A
AC-22A	At $U_e = 415$ V AC-22A	I_e	160 A	160 A	250 A	400 A	630 A
	At $U_e = 500$ V AC-22A	I_e	160 A	160 A	250 A	400 A	630 A
	At $U_e = 690$ V AC-22A	I_e	125 A	160 A	250 A	315 A	630 A
AC-23A	At $U_e = 415$ V AC-23A	I_e	154 A	160 A	250 A	333 A	630 A
	At $U_e = 500$ V AC-23A	I_e	106 A	156 A	220 A	254 A	575 A
	At $U_e = 690$ V AC-23A	I_e	-	140 A	140 A	140 A	437 A
Rated operational power	At $U_e = 415$ V AC-23A	P	90 kW	90 kW	147 kW	180 kW	375 kW
	At $U_e = 500$ V AC-23A	P	75 kW	110 kW	160 kW	180 kW	425 kW
	At $U_e = 690$ V AC-23A	P	-	132 kW	132 kW	132 kW	425 kW
Rated breaking capacity	At $U_e = 415$ V		1232 A	1280 A	2000 A	2664 A	5040 A
	At $U_e = 500$ V		848 A	1248 A	1760 A	2032 A	4600 A
	At $U_n = 690$ V			1120 A	1120 A	1120 A	3496 A
Rated short-time withstand current	I_{cw}		8 kA - 0.2 s	12 kA - 0.3 s	12 kA - 0.3 s	12 kA - 0.3 s	36 kA - 0.3 s
Short-circuit rating	Fuse link max		160 /100	500/250	500/250	500/250	1000/630
	Rated conditional short-circuit current	I_q	$I_n = 160$ 50 kA	$I_n = 500$ 50 kA	$I_n = 500$ 50 kA	$I_n = 500$ 50 kA	$I_n = 1000$ 50 kA
		I_q	$I_n = 100$ 100 kA	$I_n = 250$ 100 kA	$I_n = 250$ 100 kA	$I_n = 250$ 100 kA	$I_n = 630$ 100 kA
	Breaking current		$I_n = 160$ 50 kA	$I_n = 500$ 40 kA	$I_n = 500$ 40 kA	$I_n = 500$ 40 kA	$I_n = 1000$ 70 kA
			$I_n = 100$ 14.5 kA	$I_n = 250$ 33 kA	$I_n = 250$ 33 kA	$I_n = 250$ 33 kA	$I_n = 630$ 65 kA
	Max let-through energy		$I_n = 160$ 600 kA ² s	$I_n = 500$ 1700 kA ² s	$I_n = 500$ 1700 kA ² s	$I_n = 500$ 1700 kA ² s	$I_n = 1000$ 4200 kA ² s
			$I_n = 100$ 67 kA ² s	$I_n = 250$ 380 kA ² s	$I_n = 250$ 380 kA ² s	$I_n = 250$ 380 kA ² s	$I_n = 630$ 3200 kA ² s
Power dissipation per pole	P		2.3 W	1.8 W	3.75 W	11.5 W	14 W
Durability - maximum cycles (on+off)			10000	10000	10000	10000	5000
Pollution degree			III/3	III/3	III/3	III/3	III/3
Protection class			IP20 with or without terminal cover				
Terminal capacities							
	Flat connection with busbars		75 mm ²	120 mm ²	120 mm ²	240 mm ²	400 mm ²
	Terminal screw		M6 x 16	M8 x 20	M8 x 20	M10 x 20	M10 x 30
	Tightening torque for terminal screw		-	14 Nm	14 Nm	28 Nm	28 Nm
Standards			IEC 60947-1 and -3				
Certification			CCC, KEMA-KEUR, Lloyd's Register				

Switch-disconnectors, 160 A to 3150 A, 690 V a.c.

DMV Dumeco switch-disconnectors

Technical data

		DMV 1000N	DMV 1250N	DMV 1600N	DMV 2000N
Conventional free air thermal current	I_{th}	1000 A	1250 A	1600 A	2000 A
Conventional enclosed thermal current	I_{the}	1000 A	1250 A	1600 A	2000 A
Rated uninterrupted current	I_u	1000 A	1250 A	1600 A	2000 A
Rated operational voltage	U_e	690 V a.c.	690 V a.c.	690 V a.c.	690 V a.c.
Rated insulation voltage	U_i	1000 V	1000 V	1000 V	1000 V
Rated impulse withstand voltage	U_{imp}	12 kV	12 kV	12 kV	12 kV
Rated frequency		50 - 60 Hz	50 - 60 Hz	50 - 60 Hz	50 - 60 Hz
Ambient temperature					
Operation temperature		-25°C...55°C	-25°C...55°C	-25°C...55°C	-25°C...55°C
Storage temperature		-30°C...80°C	-30°C...80°C	-30°C...80°C	-30°C...80°C
Rated operational current					
AC-21A					
At $U_e = 415$ V AC-21A	I_e	1000 A	1250 A	1600 A	2000 A
At $U_e = 500$ V AC-21A	I_e	1000 A	1250 A	1600 A	2000 A
At $U_e = 690$ V AC-21A	I_e	1000 A	1250 A	1600 A	2000 A
AC-22A					
At $U_e = 415$ V AC-22A	I_e	1000 A	1250 A	1600 A	2000 A
At $U_e = 500$ V AC-22A	I_e	1000 A	1250 A	1600 A	2000 A
At $U_e = 690$ V AC-22A	I_e	1000 A	1250 A	1600 A	2000 A
AC-23A					
At $U_e = 415$ V AC-23A	I_e	759 A	1250 A	1250 A	1250 A
At $U_e = 500$ V AC-23A	I_e	575 A	909 A	909 A	909 A
At $U_e = 690$ V AC-23A	I_e	437 A	630 A	630 A	630 A
Rated operational power					
At $U_e = 415$ V AC-23A	P	425 kW	750 kW	750 kW	750 kW
At $U_e = 500$ V AC-23A	P	425 kW	630 kW	630 kW	630 kW
At $U_e = 690$ V AC-23A	P	425 kW	630 kW	630 kW	630 kW
Rated breaking capacity					
At $U_e = 415$ V		6072 A	10000 A	10000 A	10000 A
At $U_e = 500$ V		4600 A	7272 A	7272 A	7272 A
At $U_n = 690$ V		3496 A	5040 A	4050 A	5040 A
Rated short-time withstand current	I_{cw}	36 kA - 0.3 s	50 kA - 1 s	50 kA - 1 s	50 kA - 1 s
Short-circuit rating					
Fuse link max		1000/630	-	-	-
Rated conditional short-circuit current	I_q	$I_n = 1000$ 50 kA	-	-	-
		$I_n = 630$ 100 kA	-	-	-
Breaking current		$I_n = 1000$ 70 kA	-	-	-
		$I_n = 630$ 65 kA	-	-	-
Max let-through energy		$I_n = 1000$ 4200 kA ² s	-	-	-
		$I_n = 630$ 3200 kA ² s	-	-	-
Power dissipation per pole	P	35.3 W	27.5 W	45 W	60 W
Durability - maximum cycles (on+off)		5000	5000	5000	5000
Pollution degree		III/3	III/3	III/3	III/3

Technical data

	DMV 1000N	DMV 1250N	DMV 1600N	DMV 2000N
Protection class	IP20 with or without terminal cover			
Terminal capacities				
Flat conductor connection with busbars	600 mm ²	800 mm ²	1000 mm ²	1500 mm ²
Terminal screw	M12 x 35	M16 x 50	M12 x 50 (2 x)	M12 x 50 (2 x)
Tightening torque for terminal screw	28 Nm	60 Nm	40 Nm	40 Nm
Standards	IEC 60947-1 and -3			
Certification	CCC, KEMA-KEUR, Lloyd's Register			

		DMV 2500	DMV 3150
Conventional free air thermal current	I_{th}	2500 A	3150 A
Conventional enclosed thermal current	I_{the}	2500 A	3150 A
Rated uninterrupted current	I_u	2500 A	3150 A
Rated operational voltage	U_e	690 V a.c.	690 V a.c.
Rated insulation voltage	U_i	1000 V	1000 V
Rated impulse withstand voltage	U_{imp}	12 kV	12 kV
Rated frequency		50 - 60 Hz	50 - 60 Hz

Ambient temperature			
Operation temperature		-25°C...55°C	-25°C...55°C
Storage temperature		-30°C...80°C	-30°C...80°C

Rated operational current			
AC-21A			
At $U_e = 415$ V AC-21A	I_e	2500 A	3150 A
At $U_e = 500$ V AC-21A	I_e	2500 A	3150 A
At $U_e = 690$ V AC-21A	I_e	2500 A	3150 A

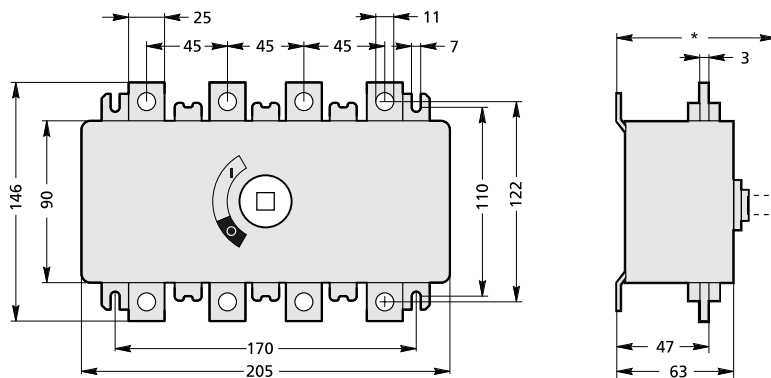
Rated operational power			
At $U_e = 415$ V AC-23A	P	1400 kW	1400 kW
At $U_e = 500$ V AC-23A	P	-	-
At $U_e = 690$ V AC-23A	P	-	-

Rated breaking capacity			
At $U_e = 415$ V		10000 A	10000 A
At $U_e = 500$ V		7272 A	7272 A
At $U_n = 690$ V		5040 A	5040 A
Rated short-time withstand current	I_{cw}	65 kA - 1 s	65 kA - 1 s
Power dissipation per pole	P	68.7 W	108.8 W
Durability - maximum cycles (on+off)		5000	5000
Pollution degree		III/3	III/3
Protection class		IP20 with or without terminal cover	

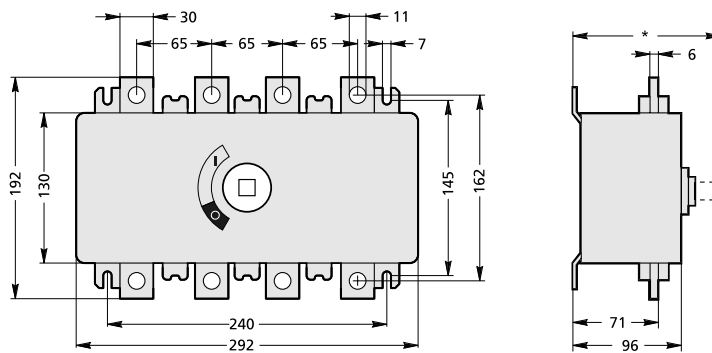
Terminal capacities			
Flat conductor connection with busbars		3000 mm ²	3000 mm ²
Terminal screw		M12 x 50 (2x)	M12 x 50 (2x)
Tightening torque for terminal screw		40 Nm	40 Nm
Standards		IEC 60947-1 and -3	
Certification		CCC, KEMA-KEUR, Lloyd's Register	

Outline drawings

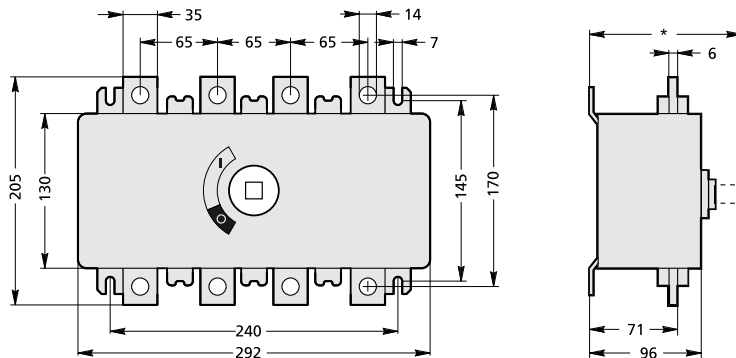
DMV 400N 3-pole and 4-pole - mm



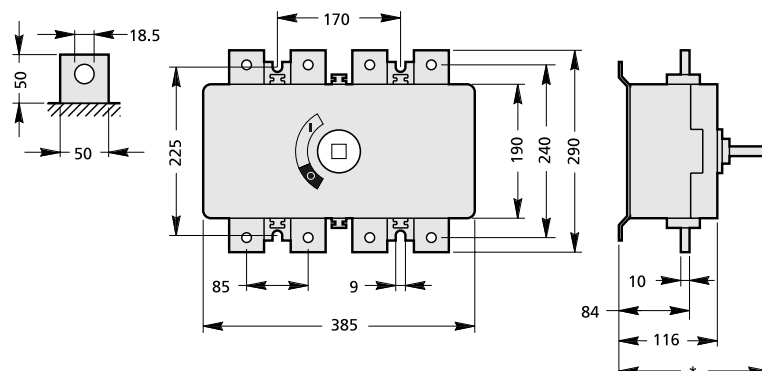
DMV 630N 3-pole and 4-pole - mm



DMV 1000N 3-pole and 4-pole - mm



DMV 1250N 3-pole and 4-pole - mm



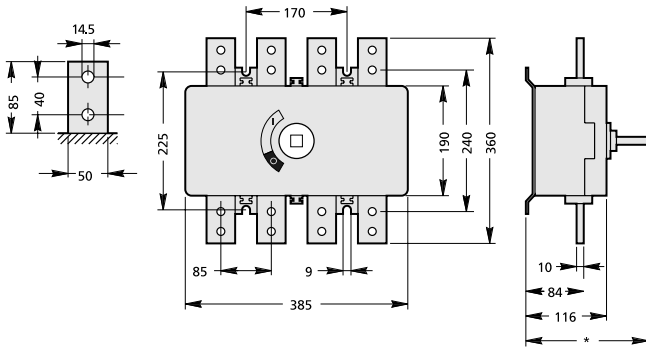
* Depending on the applied operating shaft

Switch-disconnectors, 160 A to 3150 A, 690 V a.c.

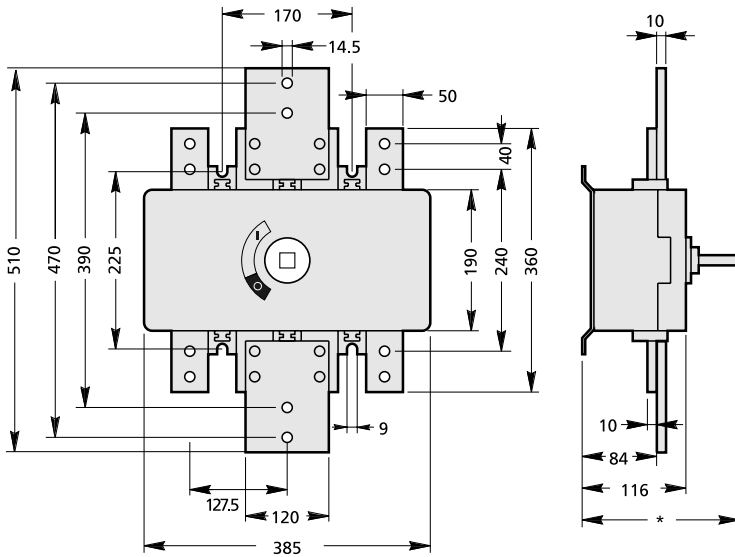
DMV Dumeco switch-disconnectors

Outline drawings

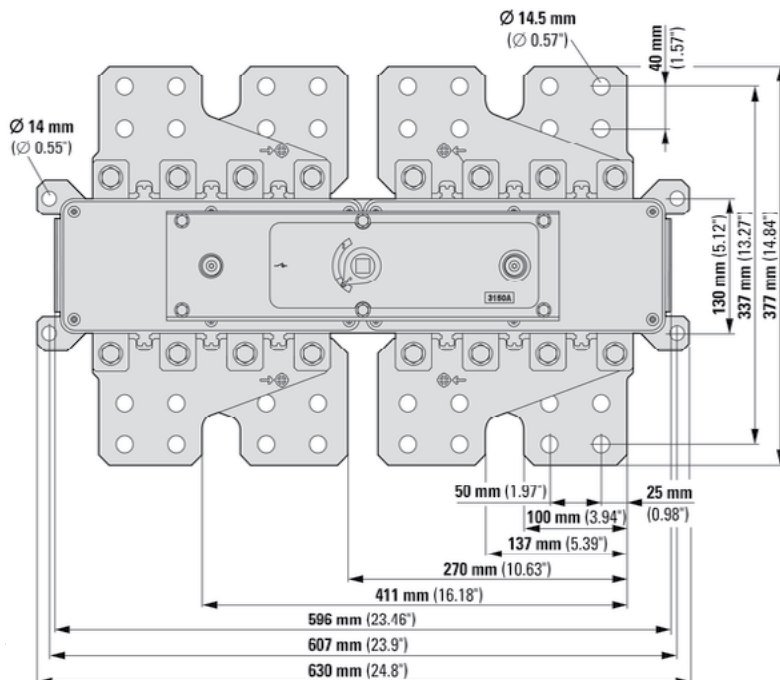
DMV 1600N 3-pole and 4-pole - mm

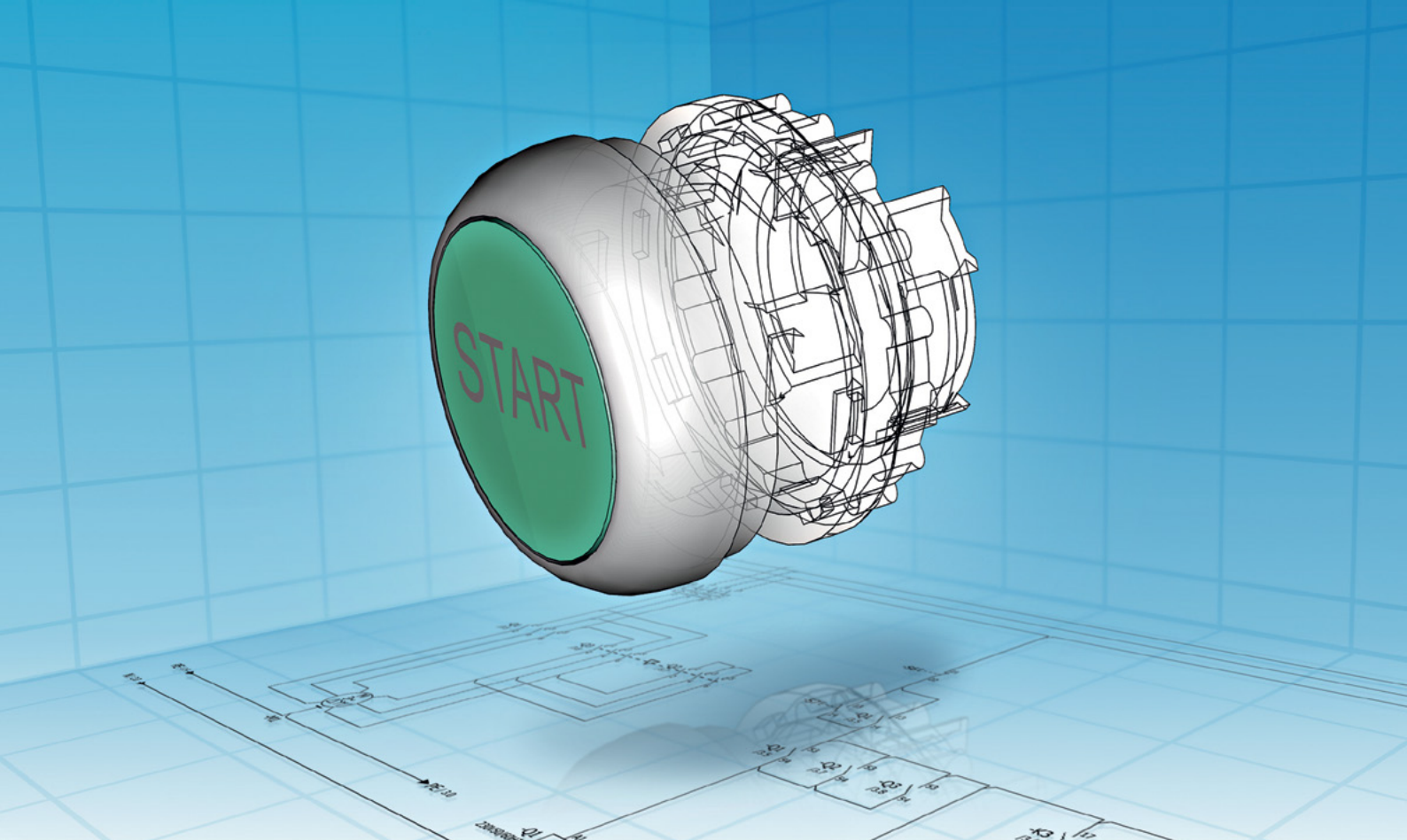


DMV 2000N 3-pole and 4-pole - mm



DMV 2500 A and 3150 A 3-pole and 4-pole - mm





Planning safety and process optimization: CAD data at the click of a mouse!



- 13,200 article data items and macros
- Convenient selection tool
- Version P8



- Models for approx. 11,000 products
- 80 different neutral & native formats

Eaton is providing its customers with CAD data to offer optimum support during planning. Both electrical and mechanical design data can be called up quickly and conveniently from the Internet at any time. This reduces processing times, minimizes errors and thus reduces costs already in the engineering phase of control panels, systems and machinery.

eCAD: Eaton has product data and macros available for EPLAN Electric P8. After downloading the small EPLANSelection program, you will not only be able to select the items you need from a database containing more than 10,800 products, but will also be able to export them and import them into your own EPLAN item database.

mCAD: Eaton makes 2D and 3D data available for more than 11,000 products. Over 80 different neutral and native formats guarantee compatibility with the project engineering systems of the customer. The models can either be integrated directly into the planning software from the Partcommunity Portal on the Internet or via the CADENAS Partsolution software.

Switch-disconnectors, 40 A to 160 A, AC-23 A

DMM Dumeco switch-disconnectors



Description

The DMM Dumeco switch-disconnectors provide safe isolation in a wide range of low voltage applications. Thanks to their excellent making and breaking capacity under load conditions they are particularly suited for use in distribution panels and for machine controls.

Standards/Approvals

- IEC 60947-3
- EAC
- KEMA-KEUR
- Lloyd's Register

Technical data

- Voltage: 690 V ac.
- Current: 40 A to 160 A
- 3-pole + solid neutral and 4--poles
- Direct operation or with door mount knob
- Utilisation category: AC-23A

Mounting options

- DIN-Rail mounting
- 45 mm front for standard distribution board
- IP65 Enclosed for 125 A and 160 A only

Features

- 125 and 160 A DMM switch-disconnectors available as a complete package: with a 400 mm shaft and a red or grey padlockable handle
- 125 and 160 A DMM switch-disconnectors are also available in a CI-K5 enclosure

DMM range overview

	40 A	63 A	80 A	100 A	125 A	160 A
Switch-disconnectors with integrated black rotary handle	✓	✓	✓	✓	✓	✓
Switch-disconnectors without shaft and knob	✓	✓			✓	✓
Switch-disconnectors with operating shaft and knob for cover mounting	✓	✓			✓	
Switch-disconnectors with 400 mm shaft and red/yellow or grey paclockable handle					✓	✓
Switch-disconnectors in CI-K5 enclosure with cylinder lock handle					✓	✓
Switch-disconnectors in CI-K5 enclosure with padlock					✓	✓

DMM with integrated black rotary handle



1314161



6093346

Thermal current I_{the}	Number of poles	Part number	Article number	Pack qty
40 A	3P + solid neutral	DMM-40/1	1314056	1
40 A	4P	DMM-40/4	1314057	1
63 A	3P + solid neutral	DMM-63/1	1314161	1
63 A	4P	DMM-63/4	1314162	1
80 A	3P + solid neutral	DMM-80/1	199969	1
80 A	3P	DMM-80/3	199531	1
80 A	4P	DMM-80/4	199533	1
100 A	3P + solid neutral	DMM-100/1	199970	1
100 A	3P	DMM-100/3	199532	1
100 A	4P	DMM-100/4	199534	1
125 A	3P	DMM-125/3	6093344	1
125 A	3P + solid neutral	DMM-125/1	1314210	1
125 A	4P	DMM-125/4	1314211	1
160 A	3P	DMM-160/3	6093347	1
160 A	3P + solid neutral	DMM-160/1	6093345	1
160 A	4P	DMM-160/4	6093346	1

DMM without shaft and knob



1314158



6085418

Thermal current I_{the}	Number of poles	Part number	Article number	Pack qty
40 A	3P + solid neutral	DMM-40/1-SK	1314052	1
40 A	4P	DMM-40/4-SK	1314053	1
63 A	3P + solid neutral	DMM-63/1-SK	1314157	1
63 A	4P	DMM-63/4-SK	1314158	1
125 A	3P	DMM-125/3-SK	6083336	1
125 A	3P + solid neutral	DMM-125/1-SK	1314203	1
125 A	4P	DMM-125/4-SK	1314204	1
160 A	3P	DMM-160/3-SK	6085416	1
160 A	3P + solid neutral	DMM-160/1-SK	6085417	1
160 A	4P	DMM-160/4-SK	6085418	1

Switch-disconnectors, 40 A to 160 A, AC-23 A

DMM Dumeco switch-disconnectors

DMM with operating shaft and knob, without interlock function, for example when mounted on the cover of Eaton's Halyester enclosure range



1314207

Thermal current I_{the}	Number of poles	Height*	Part number	Article number	Pack qty
40 A	3P + solid neutral	172 mm	DMM-40/1+SK	1314054	1
40 A	4P	172 mm	DMM-40/4+SK	1314055	1
63 A	3P + solid neutral	172 mm	DMM-63/1+SK	1314159	1
63 A	4P	172 mm	DMM-63/4+SK	1314160	1
125 A	3P + solid neutral	172 mm	DMM-125/1+CM	1314206	1
125 A	4P	172 mm	DMM-125/4+CM	1314207	1

* Height from back of switch up to the handle

DMM with padlockable rotary handle, with door interlock function and 400 mm metal shaft



6096807

Thermal current I_{the}	Handle colour	Number of poles	Part number	Article number	Pack qty
125 A	Red/Yellow	3P	DMM-125/3/M4/P-R	6094964	1
125 A	Red/Yellow	4P	DMM-125/4/M4/P-R	6094968	1
125 A	Grey	3P	DMM-125/3/M4/P-G	6096804	1
125 A	Grey	4P	DMM-125/4/M4/P-G	6096805	1
160 A	Red/Yellow	3P	DMM-160/3/M4/P-R	6094965	1
160 A	Red/Yellow	4P	DMM-160/4/M4/P-R	6094969	1
160 A	Grey	3P	DMM-160/3/M4/P-G	6096806	1
160 A	Grey	4P	DMM-160/4/M4/P-G	6096807	1

DMM Enclosed 125 A and 160 A, IP65, padlockable



172849



172848

Thermal current I_{the}	Handle colour	Number of poles	Part number	Article number	Pack qty
125 A	Blue	3P	DMM-125/3/I5/P-B	172849	1
125 A	Grey	3P	DMM-125/3/I5/P-G	172850	1
125 A	Red/Yellow	3P	DMM125/3/I5/P-R	172851	1
125 A	Blue	3P + Solid neutral	DMM-125/3N/I5/P-B	172846	1
125 A	Grey	3P + Solid neutral	DMM-125/3N/I5/P-G	172847	1
125 A	Red/Yellow	3P + Solid neutral	DMM125/3N/I5/P-R	172848	1
125 A	Blue	4P	DMM-125/4/I5/P-B	172852	1
125 A	Grey	4P	DMM-125/4/I5/P-G	172853	1
125 A	Red/Yellow	4P	DMM125/4/I5/P-R	172854	1
160 A	Blue	3P	DMM-160/3/I5/P-B	172792	1
160 A	Grey	3P	DMM-160/3/I5/P-G	172793	1
160 A	Red/Yellow	3P	DMM-160/3/I5/P-R	172794	1
160 A	Blue	3P + Solid neutral	DMM-160/3N/I5/P-B	172789	1
160 A	Grey	3P + Solid neutral	DMM-160/3N/I5/P-G	172790	1
160 A	Red/Yellow	3P + Solid neutral	DMM160/3N/I5/P-R	172791	1
160 A	Blue	4P	DMM-160/4/I5/P-B	172795	1
160 A	Grey	4P	DMM-160/4/I5/P-G	172796	1
160 A	Red/Yellow	4P	DMM160/4/I5/P-R	172797	1

DMM Enclosed 125 A and 160 A, IP65, with cylinder lock handle



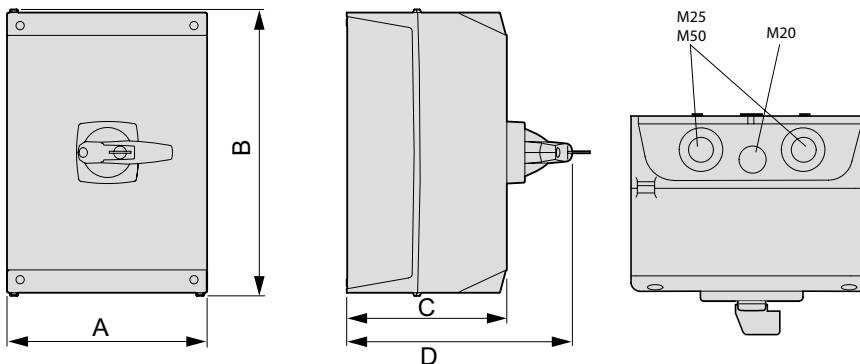
172858



172805

Thermal current I_{the}	Handle colour	Number of poles	Part number	Article number	Pack qty
125 A	Blue	3P	DMM-125/3/15/C-B	172858	1
125 A	Grey	3P	DMM-125/3/15/C-G	172859	1
125 A	Red/Yellow	3P	DMM-125/3/15/C-R	172860	1
125 A	Blue	3P + Solid neutral	DMM-125/3N/15/C-B	172855	1
125 A	Grey	3P + Solid neutral	DMM-125/3N/15/C-G	172856	1
125 A	Red/Yellow	3P + Solid neutral	DMM-125/3N/15/C-R	172857	1
125 A	Blue	4P	DMM-125/4/15/C-B	172861	1
125 A	Grey	4P	DMM-125/4/15/C-G	172862	1
125 A	Red/Yellow	4P	DMM-125/4/15/C-R	172863	1
160 A	Blue	3P	DMM-160/3/15/C-B	172801	1
160 A	Grey	3P	DMM-160/3/15/C-G	172802	1
160 A	Red/Yellow	3P	DMM-160/3/15/C-R	172803	1
160 A	Blue	3P + Solid neutral	DMM-160/3N/15/C-B	172798	1
160 A	Grey	3P + Solid neutral	DMM-160/3N/15/C-G	172799	1
160 A	Red/Yellow	3P + Solid neutral	DMM-160/3N/15/C-R	172800	1
160 A	Blue	4P	DMM-160/4/15/C-B	172804	1
160 A	Grey	4P	DMM-160/4/15/C-G	172805	1
160 A	Red/Yellow	4P	DMM-160/4/15/C-R	172806	1

Enclosure dimensions - mm



	mm	inches
A	200	7.87
B	280	11.02
C	160	6.3
D	226	8.9

Switch-disconnectors, 40 A to 160 A, AC-23 A

DMM Dumeco switch-disconnectors

Handles and shafts

Handles mounting types overview

Duco	K Type handles	A Type handles			C Type handles		D/P Type handles			D/C Type handles		
		Blue	Red	Grey	Blue	Red	Blue	Red/Yellow	Grey	Blue	Red/Yellow	Grey
40 A	K1	✓	✓	✓	✓	✓	✓	✓	✓			
63 A	K1	✓	✓	✓	✓	✓	✓	✓	✓			
125 A	K2S	✓	✓	✓	✓	✓	✓	✓	✓	✓	✓	✓
160 A	K2S	✓	✓	✓	✓	✓	✓	✓	✓	✓	✓	✓

A Type: Handle mounted directly on switch

C Type: Handle without interlock function, for example when mounted on the cover of Eaton's Halyester enclosure range

D/P Type: Handle padlockable for mounting on hinged door, with interlock function

D/C Type: Handle with cylinder lock for mounting on hinged door, supplied with two keys, with interlock function

See handles dimensions pages 95 to 98

A Type handles

Mounted directly on switch



K1 A handle
1818001



K2S A handle
1818004



Shafts

	A Type handles			Shaft mm □	Metal shafts						Pack qty
	Handle colours				Length of shaft						
	Blue	Red	Grey		116 mm	132 mm	148 mm	172 mm	270 mm	400 mm	
DMM 40	K1AB 1818001	K1AR 1818002	K1AG 1818200	6 x 6	4K6116MMDCM/ DMM	4K6132MMDMM	4K6148MMDMM	4K6172MMDCM/ DMM	4K6270MMDMM	4K6400MMDCM/ DMM	1
DMM 63											
DMM 125	K2SAB 1818003	K2SAR 1818004		6 x 6	1314335*	1314341*	1314342*	1314334*	1314374*	1314370	
DMM 160											

C Type handles

Without interlock function, for example when mounted on the cover of Eaton's Halyester enclosure range



K1 C handle
1818015



K2S handle
1818018



Shafts

	C Type handles		Shaft mm □	Metal shafts						Pack qty
	Handle colours			Total height of switch + shaft						
	Blue	Red		116 mm	132 mm	148 mm	172 mm	270 mm	400 mm	
DMM 40	K1CB 1818015	K1CR 1818016	6 x 6	4K6116MMDCM/DMM	4K6132MMDMM	4K6148MMDMM	4K6172MMDCM/ DMM	4K6270MMDMM	4K6400MMDCM/ DMM	1
DMM 63										
DMM 125	K2SCB 1818017	K2SCR 1818018	6 x 6	1314335*	1314341*	1314342*	1314334*	1314374*	1314370	
DMM 160										

* Height of switch from bottom of switch to top of operating shaft

Handles and shafts

D/P Type handles

Padlockable for mounting on hinged door, with interlock function



K1 D/P handle
1818029



K2S D/P handle
1818034



Shafts

	D/P Type handles			Shaft mm □	Metal shafts						Pack qty
	Handle colours				Length of shaft						
	Blue	Red	Grey		116 mm	132 mm	148 mm	172 mm	270 mm	400 mm	
DMM 40	K1DB/P 1818029	K1DR/P 1818030	K1DG/P 1818031	6 x 6	4K6116MMDCM/ DMM	4K6132MMDMM	4K6148MMDMM	4K6172MMDCM/ DMM	4K6270MMDMM	4K6400MMDCM/ DMM	1
DMM 63											
DMM 125	K2SDB/P 1818032	K2SDR/P 1818033	K2SDG/P 1818034	6 x 6	1314335*	1314341*	1314342*	1314334*	1314374*	1314370	1
DMM 160											

D/C Type handles

With cylinder lock for mounting on hinged door, supplied with two keys, with interlock function



K2SDB/C
1818038



K2SDR/C
1818039



K2SDG/C
1818040



Shafts

	D/C Type handles			Shaft mm □	Metal shafts						Pack qty
	Handle colours				Length of shaft						
	Blue	Red	Grey		116 mm	132 mm	148 mm	172 mm	270 mm	400 mm	
DMM 125	K2SDB/C 1818038	K2SDR/C 1818039	K2SDG/C 1818040	6 x 6	4K6116MMDCM/ DMM	4K6132MMDMM	4K6148MMDMM	4K6172MMDCM/ DMM	4K6270MMDMM	4K6400MMDCM/ DMM	1
DMM 160											

* Height of switch from bottom of switch to top of operating shaft

Switch-disconnectors, 40 A to 160 A, AC-23 A

DMM Dumeco switch-disconnectors

Accessories

Auxiliary switch sets suitable for DMM 40 to 160 A

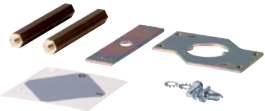
Not suitable for DMM with integrated black rotary handle



Part number	Article number	Rated current	Rated voltage	Contact	Pack qty
AUX1NO+1NCDCM/DMM	1314300	16 A	380 V a.c.	1 NO + 1 NC	1
AUX2NO+2NCDCM/DMM	1314301	16 A	380 V a.c.	2 NO + 2 NC	1

1314301

Shaft supporting set for DMM 40 to 160 A



Part number	Article number	Pack qty
SHAFTSETDCM/DMM	1314369	1

1314369

Connection set for DMM 80 A, 100 A, 125 A and 160 A



Part number	Article number	Connecting capacity	Pack qty
SETDMM125*	1314232*	2 x 2.5 mm ² up to 50 mm ²	1

1314232

*Cannot be used with part number 1314330

Transparent terminal cover



1314331

DMM	Part number	Article number	Pack qty
DMM 40	COVERDCM/DMM40/63	1314331	1
DMM 63			
DMM 80			
DMM 100	COVERDCM/DMM125*	1314330*	1
DMM 125			
DMM 160			

*Cannot be used with part number 1314332

Technical data

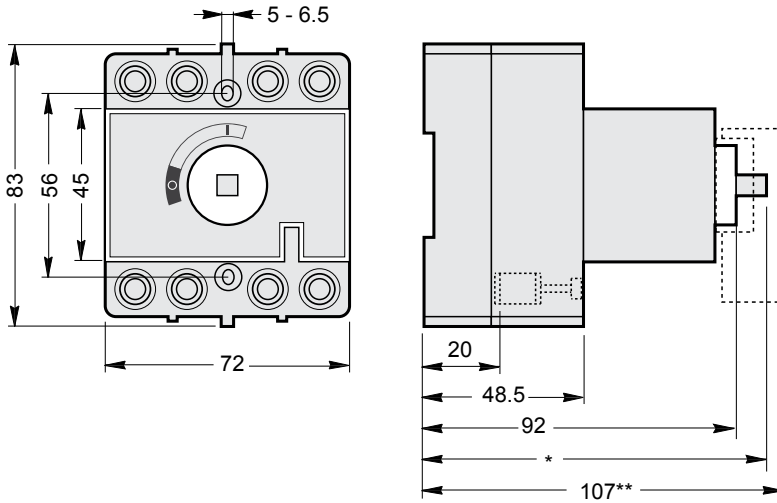
			DMM 40	DMM 63	DMM 80	DMM 100	DMM 125	DMM 160
Conventional free air thermal current	I_{th}		40 A	63 A	80 A	100 A	125 A	160 A
Conventional enclosed thermal current	I_{the}	35°C / 50°C	40 A	63 A	80 A	100 A	125 A	160 A
Rated uninterrupted current	I_u		40 A	63 A	80 A	100 A	125 A	160 A
Rated operational voltage	U_e		690 V	690 V	690 V	690 V	690 V	690 V
Rated insulation voltage	U_i		690 V	690 V	690 V	690 V	690 V	690 V
Rated impulse withstand voltage	U_{imp}		6 kV	6 kV	6 kV	6 kV	6 kV	6 kV
Rated frequency			50/60 Hz	50/60 Hz	50/60 Hz	50/60 Hz	50/60 Hz	50/60 Hz
Storage temperature			-25°C..+80°C	-25°C..+80°C	-25°C..+80°C	-25°C..+80°C	-25°C..+80°C	-25°C..+80°C
Max altitude (without derating)			2000 m	2000 m	2000 m	2000 m	2000 m	2000 m
Rated operational current								
AC-21A	At $U_e = 415$ V AC-21A	I_e	40 A	63 A	80 A	100 A	125 A	160 A
	At $U_e = 500$ V AC-21A	I_e	40 A	63 A	80 A	100 A	125 A	160 A
	At $U_e = 690$ V AC-21A		40 A	63 A	80 A	100 A	125 A	160 A
AC-22A	At $U_e = 415$ V AC-22A	I_e	40 A	63 A	80 A	100 A	125 A	160 A
	At $U_e = 500$ V AC-22A		40 A	63 A	80 A	100 A	125 A	160 A
	At $U_e = 690$ V AC-22A		40 A	63 A	80 A	100 A	125 A	160 A
AC-23A	At $U_e = 415$ V AC-23A	I_e	40 A	63 A	80 A	100 A	66 A	140 A
	At $U_e = 500$ V AC-23A		25 A	25 A	66 A	66 A	66 A	66 A
	At $U_e = 690$ V AC-23A		25 A	25 A	42 A	42 A	42 A	42 A
Rated operational power								
	At $U_e = 415$ V AC-23A	P	22 kW	30 kW	45 kW	55 kW	37 kW	30 kW
	At $U_e = 500$ V AC-23A	P	15 kW	15 kW	45 kW	45 kW	45 kW	45 kW
	At $U_e = 690$ V AC-23A	P	22 kW	22 kW	37 kW	37 kW	37 kW	40 kW
Rated breaking capacity								
	At $U_e = 415$ V	I	320 A	504 A	833 A	1029 A	528 A	1120 A
	At $U_e = 500$ V	I	200 A	200 A	528 A	528 A	528 A	528 A
	At $U_n = 690$ V	I	200 A	200 A	336 A	336 A	336 A	336 A
Rated short-time withstand current	I_{cw}		1.5 kA - 1 s	1.5 kA - 1 s	2.5 kA - 1s	2.5 kA - 1s	2.5 kA - 1 s	2.5 kA - 1 s
Rated short-circuit making capacity	I_{cm}		2.2 kA - 1 s	2.2 kA - 1 s	3.6 kA	3.6 kA	3.6 kA - 1 s	3.6 kA - 1 s
Rated conditional short-circuit current	$I_p(I_q)$	415 V	100 kA	100 kA	30 kA	30 kA	30 kA	30 kA
		690 V	50 kA	50 kA	50 kA	50 kA	50 kA	50 kA
Cut-off current	max.	415 V	7.93 kA	7.93 kA	13.7 kA	13.7 kA	13.7 kA	13.7 kA
		690 V	8.49 kA	8.49 kA	13.5 kA	13.5 kA	13.5 kA	13.5 kA
Joule integral	max.	415 V	10.5 kA ² s	10.5 kA ² s	134 kA ² s	134 kA ² s	134 kA ² s	134 kA ² s
		690 V	25.5 kA ² s	25.5 kA ² s	86.9 kA ² s	86.9 kA ² s	86.9 kA ² s	86.9 kA ² s
Fuse-link gG max	I_n	415 V	P5gG63-000, 63 A		P5gG160-1, 160 A		P5gG160-1, 160 A	
		690 V	80NHG00B-69, 80 A		P6gG125-1, 125 A		P6gG125-1, 125 A	
Power dissipation per pole	P		0.6 W	1.5 W	2.9 W	3.6 W	5.5 W	9.1 W
Durability - maximum cycles (on+off)			10.000	10.000	10.000	10.000	10.000	10.000
Pollution degree			III/3	III/3	III/3	III/3	III/3	III/3
Protection class			IP20	IP20	IP20	IP20	IP20	IP20
Tightening torque			2 Nm	2 Nm	7 Nm	7 Nm	7 Nm	7 Nm
Copper conductor.Stranded/Flexible			6 - 70 mm ²	6 - 70 mm ²	6 - 70 mm ²	6 - 70 mm ²	6 - 70 mm ²	6 - 70 mm ²
Standards and certifications	IEC 60947-3, EAC, KEMA-KEUR, Lloyd's Register							

Switch-disconnectors, 40 A to 160 A, AC-23 A

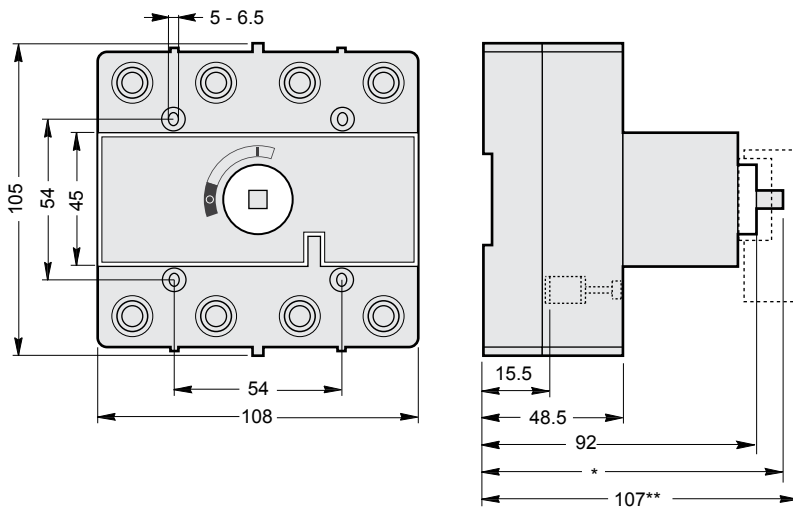
DMM Dumeco switch-disconnectors

Outline drawings

DMM 40 A and DMM 63 A - mm



DMM 80A, 100 A, 125 A and DMM 160 A - mm

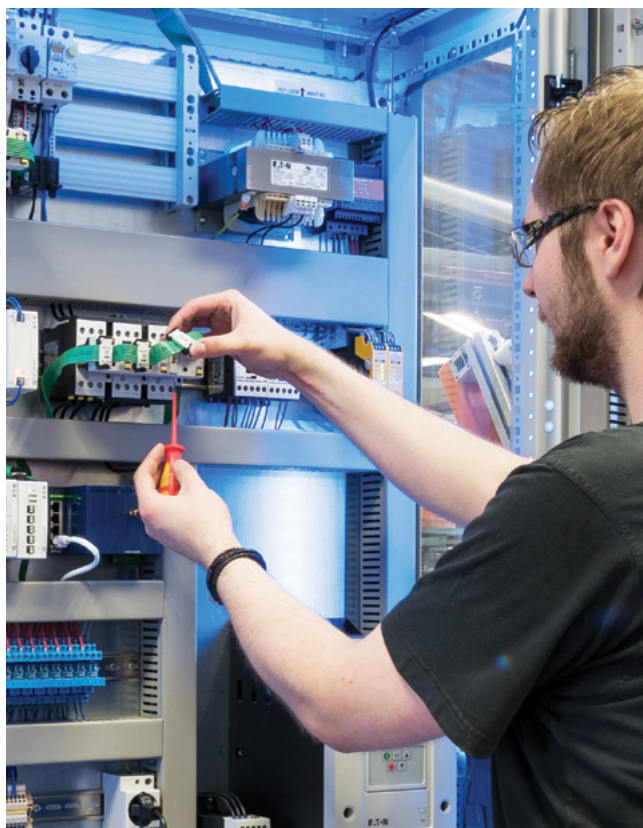


* Dependent on the applied operating shaft

** With integrated black rotary handle

At Eaton, we serve the needs of machine builders and their customers across the globe.

As one of the world's leading power management companies, we provide energy efficient solutions designed to help our customers use electrical, fluid and mechanical power more efficiently, safely, economically and sustainably. Our future-proof solutions will help you meet both current and future challenges, even in a world driven by Industry 4.0. To this end, we are bringing together electrical engineering with hydraulics and IT, respectively. Whether in-house or jointly with our partners, we create integrated industry technologies for the machine-building industry.



Eaton brings you a new dimension of expertise.

With ever shorter product lifecycles, customers now expect you to design and build highly customized machines, or to retrofit existing ones, at a faster pace and at lower cost than ever before. Your customers demand machines that operate reliably, error-free, and with maximum energy efficiency.

By equipping your machines with our best-in-class electrical and hydraulic solutions, you are guaranteed to achieve higher levels of accuracy, speed, energy efficiency, reliability, and flexibility. Eaton is one of the only suppliers globally that to offer integrated solutions for both hydraulic and electrical systems in machinery and equipment.

Integrated Industry Technologies: Innovations that are the product of a great legacy.

As we have grown, our solutions portfolio has also diversified; by integrating the unique capabilities and product families of market leaders such as Aeroquip, Moeller, Vickers, Bussmann, F&G and Heinemann, we are able to deliver innovation across a broad range of sophisticated products and solutions that is continuously being expanded. One of our main priorities is to combine these technologies into one innovative solution. This includes both the Electrical and the Hydraulics sector, as well as IT and machine controls for our Industry 4.0 solutions. In this way, our customers benefit from Eaton's Integrated Industry Technologies and the future-proof solutions that they offer.

Switch-disconnectors, 40 A and 63 A, AC-21 A and AC-22 A

DCM Duco switch-disconnectors, 40 A and 63 A, 415 V a.c.



Description

The DCM Duco switch-disconnectors provide safe isolation in a wide range of low voltage applications. Thanks to their excellent making and breaking capacity under load conditions they are particularly suited for use in distribution panels and for machine controls.

Standards/Approvals

- IEC 60947-3
- EAC
- KEMA-KEUR,
- Lloyd's Register

Technical data

- Voltage: 415 V ac.
- Current: 40 A and 63 A
- 3-pole + solid neutral and 4-poles
- Semi-independent manual operation mechanism
- AC-21 A and AC-22 A

Mounting options

Suitable for DIN-Rail mounting and 45 mm standard panel cut-out
Direct operation or with door mount knob

Features

- Compact
- Enclosure made of non-tracking synthetic material
- Semi-independent manual operation mechanism
- Various shaft lengths
- Suitable for padlocking in OFF position (1 padlock, diameter up to 5 mm)
- Available as basic switch body with a selection of shafts and handles or with integrated black rotary handle
- Available with horizontal cable connection
- Available for front mounting

DCM range overview

	40 A	63 A
Switch-disconnectors with integrated black rotary handle	✓	✓
Switch-disconnectors without shaft and knob	✓	✓
Switch-disconnectors with shaft C Type handles for mounting on Halyester cover only	✓	✓

DCM with integrated black rotary handle



1314106

Thermal current I_{the}	Number of poles	Part number	Article number	Pack qty
40 A	3P + solid neutral	DCM-40/1	1314106	1
40 A	4P	DCM-40/4	1314110	1
63 A	3P + solid neutral	DCM-63/1	1314004	1
63 A	4P	DCM-63/4	1314006	1

DCM without shaft and handle



1314109 Vertical cable connection



1314104 Horizontal cable connection



1314113 Front mounting

Thermal current I_{the}	Number of poles	Part number	Article number	Pack qty
Vertical cable connection				
40 A	3P + solid neutral	DCM-40/1-SK+VC	1314105	1
40 A	4P	DCM-40/4-SK+VC	1314109	1
63 A	3P + solid neutral	DCM-63/1-SK+VC	1314003	1
63 A	4P	DCM-63/4-SK+VC	1314016	1
Horizontal cable connection				
40 A	3P + solid neutral	DCM-40/1-SK+HC	1314104	1
40 A	4P	DCM-40/4-SK+HC	1314108	1
63 A	3P + solid neutral	DCM-63/1-SK+HC	1314002	1
63 A	4P	DCM-63/4-SK+HC	1314015	1
Front mounting				
40 A	3P + solid neutral	DCM-40/1-SK+FM	1314112	1
40 A	4P	DCM-40/4-SK+FM	1314113	1
63 A	4P	DCM-63/4-SK+FM	1314009	1

DCM with shaft and cover mounted handle, without interlock function, for example when mounted on Eaton's Halyester enclosure range



1314007

Thermal current I_{the}	Number of poles	Height*	Part number	Article number	Pack qty
40 A	3P + solid neutral	116 mm	DCM-40/1+CM	1314107	1
40 A	4P	116 mm	DCM-40/4+CM	1314111	1
63 A	3 + solid neutral	116 mm	DCM-63/1+CM	1314005	1
63 A	4P	116 mm	DCM-63/4+CM	1314007	1

* Height of switch from bottom of switch to top of operating shaft

Switch-disconnectors, 40 A and 63 A, AC-21 A and AC-22 A

DCM Duco switch-disconnectors

Handles and shafts

Handles mounting types overview

Duco	K Type handles	A Type handles			C Type handles		D/P Type handles		
		Blue	Red	Grey	Blue	Red	Blue	Red/Yellow	Grey
40 A	K1	✓	✓	✓	✓	✓	✓	✓	✓
63 A	K1	✓	✓	✓	✓	✓	✓	✓	✓

A Type: Handle mounted directly on switch

C Type: Without interlock function, for example when mounted on the cover of Eaton's Halyester enclosure range

D/P Type: Handle padlockable for mounting on hinged door, with interlock function

See handles dimensions pages 95 to 98

A Type handles

Mounted directly on switch



A Type handles			Shaft mm□	Length of shafts (length from base of switch to top of shaft)						Pack qty
Handles colours	Blue	Red		Grey	100 mm	116 mm	132 mm	156 mm	254 mm	
K1AB 1818001	K1AR 1818002	K1AG 1818200	6 x 6	4K6116MMDCM/DMM 1314335	4K6132MMDMM 1314341	4K6148MMDMM 1314342	4K6172MMDCM/DMM 1314334	4K6270MMDMM 1314374	4K6400MMDCM/DMM 1314370	1

C Type handles

Without interlock function, for example when mounted on the cover of Eaton's Halyester enclosure range



C Type handles		Shaft mm□	Length of shafts (length from base of switch to top of shaft)						Pack qty
Handle colours	Blue		Red/yel-low	100 mm	116 mm	132 mm	156 mm	254 mm	
K1CB 1818015	K1CR 1818016	6 x 6	4K6116MMDCM/DMM 1314335	4K6132MMDMM 1314341	4K6148MMDMM 1314342	4K6172MMDCM/DMM 1314334	4K6270MMDMM 1314374	4K6400MMDCM/DMM 1314370	1

D/P Type handles

Padlockable for mounting on hinged door, with interlock function



D/P Type handles			Shaft mm□	Length of shafts (length from base of switch to top of shaft)						Pack qty
Handle colours	Blue	Red/yel-low		Grey	100 mm	116 mm	132 mm	156 mm	254 mm	
K1DB/P 1818029	K1DR/P 1818030	K1DG/P 1818031	6 x 6	4K6116MMDCM/DMM 1314335	4K6132MMDMM 1314341	4K6148MMDMM 1314342	4K6172MMDCM/DMM 1314334	4K6270MMDMM 1314374	4K6400MMDCM/DMM 1314370	1

Accessories

Front mounting kit



1314344

DCM	Part number	Article number	Pack qty
DCM 40 A	FRONTKITDCM/DMM	1314344	1
DCM 63 A			1

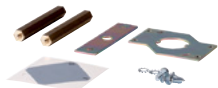
Auxiliary switch set



1314301

Part number	Article number	Current	Voltage	Contact	Pack qty
AUX1NO+1NCD/MMM	1314300	16 A	380 V a.c.	1 NO + 1 NC	1
AUX2NO+2NCD/MMM	1314301	16 A	380 V a.c.	2 NO + 2 NC	1

Shaft supporting set for use with 384 mm shaft (article number 1314370)



1314369

DCM	Part number	Article number	Pack qty
DCM 40 A	SHAFTSETDCM/DMM	1314369	1
DCM 63 A			1

Transparent terminal cover



1314331

DCM	Part number	Article number	Pack qty
DCM 40 A	COVERDCM/DMM40/63	1314331	1
DCM 63 A			1

Conversion kits for locking the D Type handles in both On and Off position



1818103

QSA	Part number	Article number	Pack qty
DCM 40 A	ADAPTORPADLOCK-K1	1818103	1
DCM 63 A			1

Coupling links for extension of universal shafts



1319833

QSA	Shaft mm□	Part number	Article number	Pack qty
DCM 40 A	6 x 6	COUP6X6MM	1319833	1
DCM 63 A	6 x 6			1

Switch-disconnectors, 40 A and 63 A, AC-21 A and AC-22 A

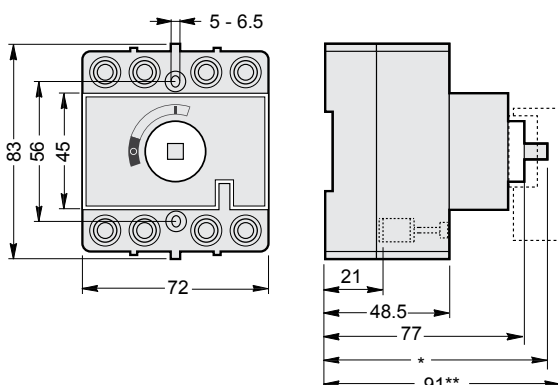
DCM Duco switch-disconnectors

Technical data

		DCM 40	DCM 63
Conventional free air thermal current	I_{th}	40 A	63 A
Conventional enclosed thermal current	I_{the}	40 A	63 A
Rated uninterrupted current	I_u	40 A	63 A
Rated operational voltage	U_e	415 V	415 V
Rated insulation voltage	U_i	690 V	800 V
Rated impulse withstand voltage	U_{imp}	6 kV	6 kV
Rated frequency		50 Hz	50 Hz
Max altitude (without derating)		2000 m	2000 m
Rated operational current			
At $U_e = 415$ V AC-21A	I_e	40 A	63 A
At $U_e = 415$ V AC-22A	I_e	40 A	63 A
At $U_e = 415$ V AC-23A	I_e	40 A	63 A
Rated operational power			
At $U_e = 415$ V AC-23A		16.6 kW	26 kW
Rated short-time withstand current	I_{cw}	1.5 kA	1.5 kA
Rated short-circuit making capacity	I_{cm}	2.2 kA	2.2 kA
Rated conditional short-circuit current	$I_p(I_q)$	415 V: 50 kA	415 V: 50 kA
Cut-off current	max.	690 V: 7 kA	690 V: 7 kA
Joule integral	max.	690 V: 12 kA ² s	690 V: 12 kA ² s
Fuse-link max	I_n	690 V: 50 A	690 V: 800 A
Power dissipation per pole	P	0.6 W	1.5 W
Terminal capacities			
Copper connector:			
Solid		2.5 - 6 mm ²	2.5 - 6 mm ²
Stranded		2.5 - 25 mm ²	2.5 - 25 mm ²
Flexible		1.5 - 25 mm ²	1.5 - 25 mm ²
Tightening torque		2 Nm	2 Nm
Pollution degree		III/3	III/3
Protection class		IP20	IP20
Standards		EN-IEC 60947-3, EAC	
Certification		KEMA-KEUR, Lloyd's Register	

Outline drawing

DCM Duco 40 A and 63 A - mm





Worldwide export of machines and plants

European machine and system building and worldwide exports are closely related. Even if you don't export your machines at present, you should be prepared for it in the future. Eaton provides switchgear and protective devices with all the essential approvals and certificates for machine and system building. In most countries around the world, conformity with international standards is the sole requirement for successful exports. This is because components in these locations are governed by compliance with well known and established IEC standards. In this respect, the European CE mark is not only the passport for exports within Europe but also far beyond its borders.



World market equipment for machine building

Nearly all the switchgear and protective devices of Eaton's Moeller series are world market devices. Each product line thus carries all the approvals and certification marks required for worldwide use.

These product lines include those for

- Pilot devices, limit switches
- Contactors and various timing and special relays
- Motor-protective circuit breakers and relays
- Electronic components and systems.

With circuit breakers and switch-disconnectors, Eaton offers IEC devices for use in most countries in the world and NA devices with virtually the same dimensions and the same accessories for the North American market. This considerably simplifies device selection since the North American standards often involve the need for considerably different technical specifications.

DMV Change-over mechanisms, 160 A to 2000 A, 690 V a.c.

DMV Change-over mechanisms, 160 A to 2000 A, 690 V a.c. for DMV switch-disconnectors



Description

The Dumeco DMV change-over mechanisms convert DMV switch-disconnectors into 3 to 4-pole change-over switches.

Standards/Approvals

- IEC 60947-3
- EAC
- KEMA-KEUR
- Lloyd's Register
- CCC up to 1250 A

Technical data

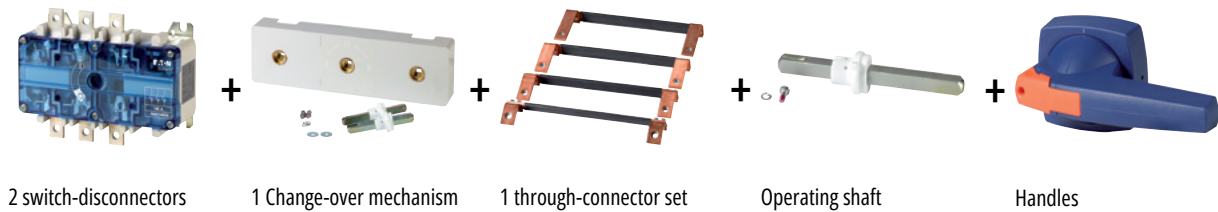
- Voltage: 690 V ac.
- Current: 160 A to 2000 A

Features

- Compact
- Made of non-tracking material
- Independent manual operation
- Easy installation of 3-pole + solid neutral or 4-pole

Parts required for the change-over mechanisms

- 2 switch-disconnectors
- 1 Change-over mechanism
- 1 through-connector set (4-pole)
- 1 operating shaft (6 mm, 10 mm or 14 mm shaft)
- 1 change-over handle. **Note: Use 2 standard handles for 1250 A, 1600 A and 2000 A DMV switch-disconnectors**



Change-over mechanisms for Dumeco DMV switch-disconnectors



1314314

Suitable for DMV	Part number	Article number	Pack qty
DMV 160N	CODMV160N*	1314314*	1
DMVS 160N, DMV 250N and DMV 400N	CODMVS160N/400N	1314884	1
DMV 630N and DMV 1000N	CODMV630N/1000N	1314682	1
DMV 1250N, DMV 1600N and DMV 2000N	CODMV1250/1600/2000A3P**	1314336**	1



1314884

*1314314: Operating shaft included (shaft length = 70 mm from top of change-over mechanism)

**1314336: When door mounted padlockable handle (D/P Type) is required 2 additional standard shafts (Article number 1050250) and 2 additional handles (Article number 1818076) are necessary

Bridge connector set



1314320



1314881

Suitable for DMV	Part number	Article number	Pack qty
DMV 160N	SETDMV160N	1314320	1 (4 pieces)
DMVS 160N, DMV 250N	SETDMVS160N/250N	1314878	1 (4 pieces)
DMV 400N	SETDMV400N	1314879	1 (4 pieces)
DMV 630N	SETDMV630N	1314881	1 (4 pieces)
DMV 1000N	SETDMV1000N	1314883	1 (4 pieces)

DMV Change-over mechanisms, 160 A to 2000 A, 690 V a.c.

DMV Change-over mechanisms

Handles and shafts

Handles mounting types overview

DMV	K Type handles	Shaft square mm	A Type handles			D/P Type handles*
			Blue	Red	Grey	Blue
DMV 160N	K2S	6 x 6	✓	✓		✓*
DMVS 160N	K3	6 x 6	✓	✓	✓	✓*
DMV 250N	K3	10 x 10	✓	✓	✓	✓*
DMV 400N	K3	10 x 10	✓	✓	✓	✓*
DMV 630N	K5	14 x 14	✓	✓	✓	✓*
DMV 1000N	K5	14 x 14	✓	✓	✓	✓*
DMV 1250N	K6 (2x)	14 x 14	✓	✓	✓	
	K5	14 x 14				✓*
DMV 1600N	K6 (2x)	14 x 14	✓	✓	✓	
	K5	14 x 14				✓*
DMV 2000N	K6 (2x)	14 x 14	✓	✓	✓	
	K5	14 x 14				✓*

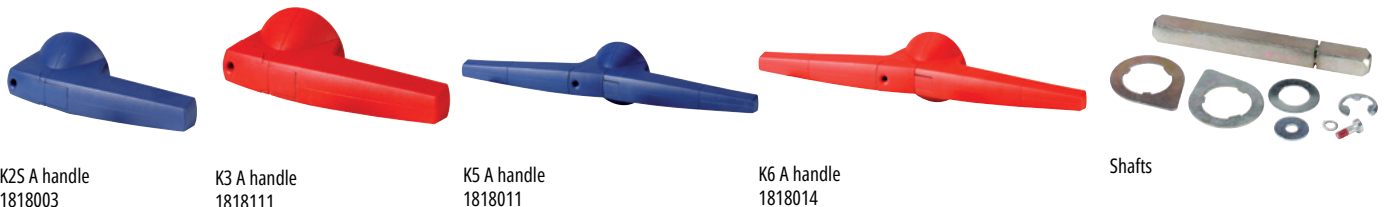
A Type: Handle mounted directly on switch

***D/P Type:** Handle padlockable for mounting on hinged door with interlock function. These handles are pre-printed with 1, 0, 2 position

See handles dimensions pages 95 to 98

A Type handles

Mounted directly on switch



K2S A handle
1818003

K3 A handle
1818111

K5 A handle
1818011

K6 A handle
1818014

Shafts

Change-over mechanism	Suitable for DMV	A Type handles			Shaft mm□	Metal shafts				Pack qty
		Handle colours				Length of shafts				
		Blue	Red	Grey		185 mm	200 mm	230 mm	400 mm	
CODMV160N 1314314	DMV 160N	K2SAB 1818003	K2SAR 1818004			Shaft already included with the mechanism				1
CODMVS160N/400N 1314884	DMVS 160N				10 x 10	4K10H185COK3 1050251			4K10H400COK3 1050252	1
	DMV 250N	K3AB 1818110	K3AR 1818111	K3AG 1818202						
	DMV 400N									
CODMV630N/1000N 1314682	DMV 630N	K5AB 1818011	K5AR 1818012		14 x 14			4K14H230COK5 1050253	4K14H400COK5 1050254	1
	DMV 1000N									
CODMV1250/1600/2000A3P 1314336	DMV 1250N				14 x 14					1
	DMV 1600N	K6AB 1818013	K6AR 1818014				4K14K6H200 1050248		4K14K6H400 1050250	
	DMV 2000N									

Handles and shafts

D/P Type handles

Padlockable for mounting on hinged door, with interlock function



K02SDB/P handle
1818072



K03D/P handle
1818116



K05DB/P handle
1818076



Shafts

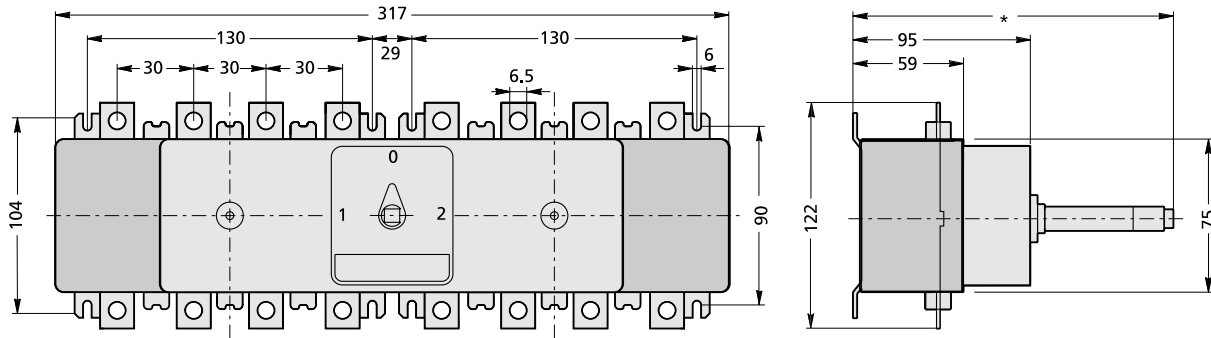
Change-over mechanism	Suitable for DMV	D/P Type handles		Metal shafts				Pack qty
		Handle colours	Shaft mm□	Length of shafts				
		Blue		185 mm	200 mm	230 mm	400 mm	
CODMV160N 1314314	DMV 160N	K02SDB/P 1818072		Shaft already included with the mechanism				1
CODMVS160N/400N 1314884	DMVS 160N	K03DB/P 1818116	10 x 10	4K10H185COK3 1050251			4K10H400COK3 1050252	1
	DMV 250N							
	DMV 400N							
CODMV630N/1000N 1314682	DMV 630N	K05DB/P 1818076	14 x 14			4K14H230COK5 1050253	4K14H400COK5 1050254	1
	DMV 1000N							
CODMV1250/1600/2000A3P 1314336	DMV 1250N	K06DB/P 1818078	14 x 14					1
	DMV 1600N			4K14K6H200 1050248				
	DMV 2000N					4K14K6H400 1050250		

DMV Change-over mechanisms, 160 A to 2000 A, 690 V a.c.

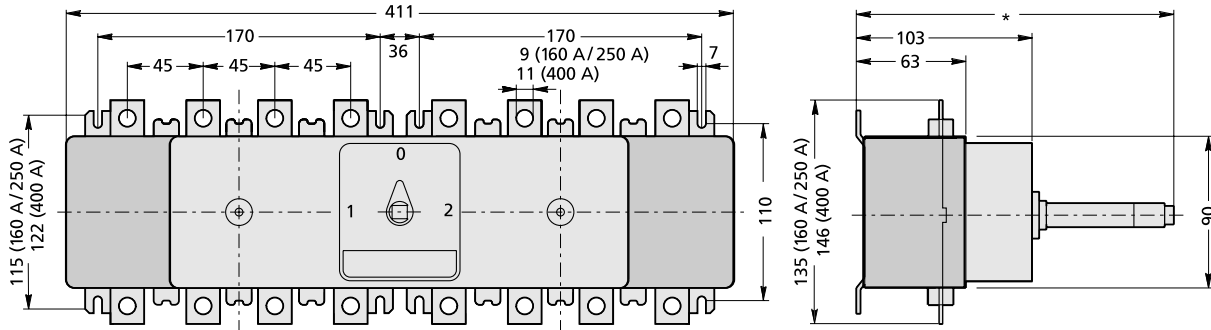
DMV Change-over mechanisms

Outline drawings

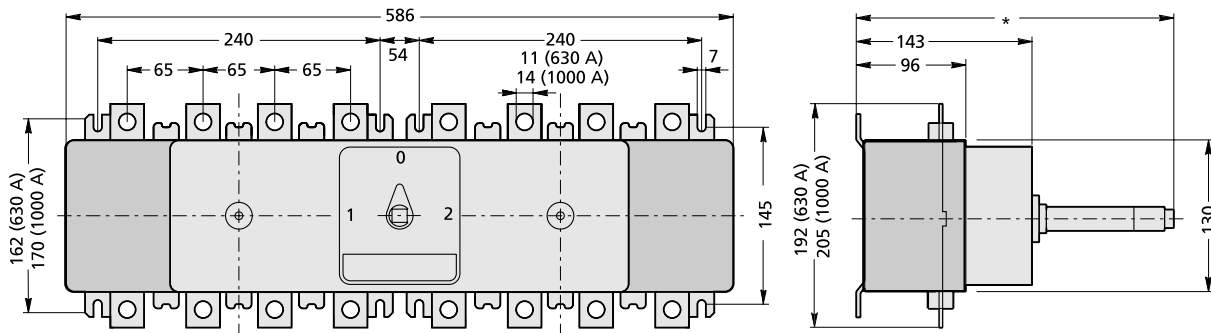
Change-over mechanisms suitable for DMV 160N - horizontal - mm



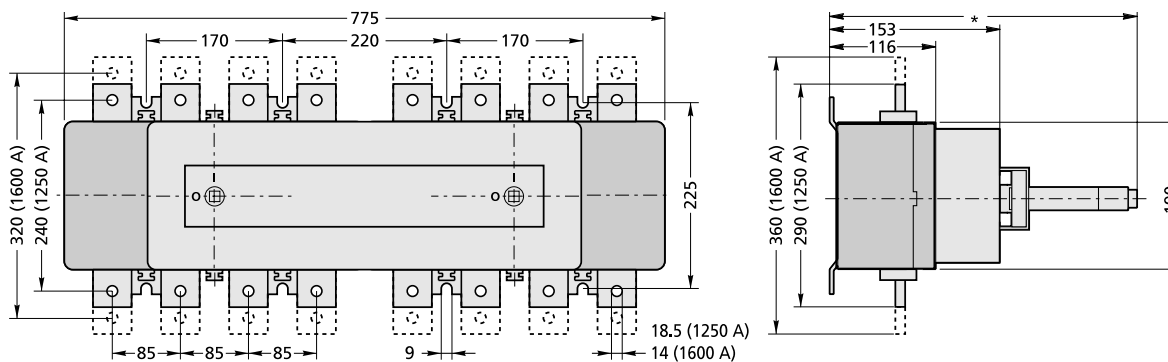
Change-over mechanisms suitable for DMVS 160N, DMV 250N and DMV 400N - horizontal - mm



Change-over mechanisms suitable for DMV 630N and DMV 1000N - horizontal - mm

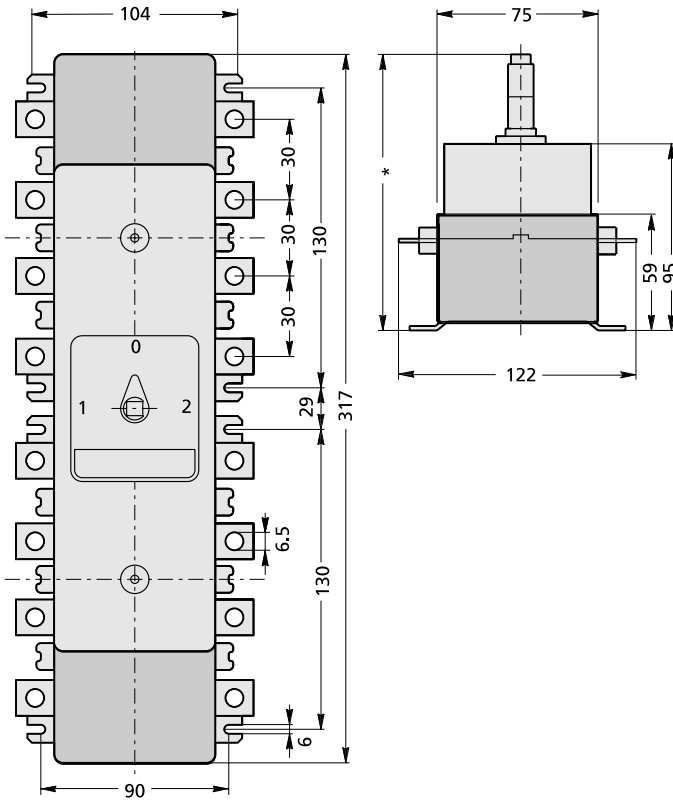


Change-over mechanisms suitable for DMV 1250N and DMV 1600N - horizontal

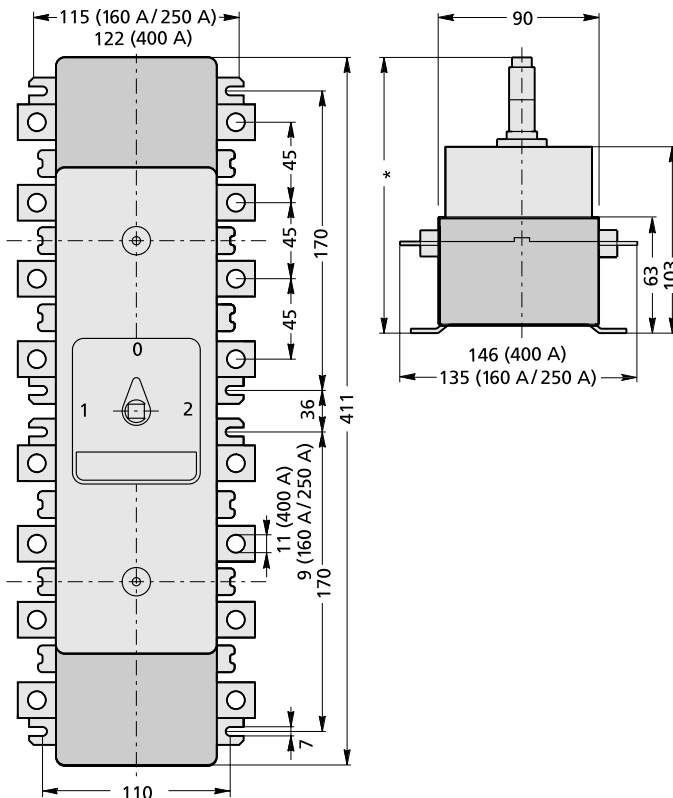


Outline drawings

Change-over mechanisms suitable for DMV 160N - vertical - mm



Change-over mechanisms suitable for DMVS 160N, DMV 250N and DMV 400N - vertical - mm



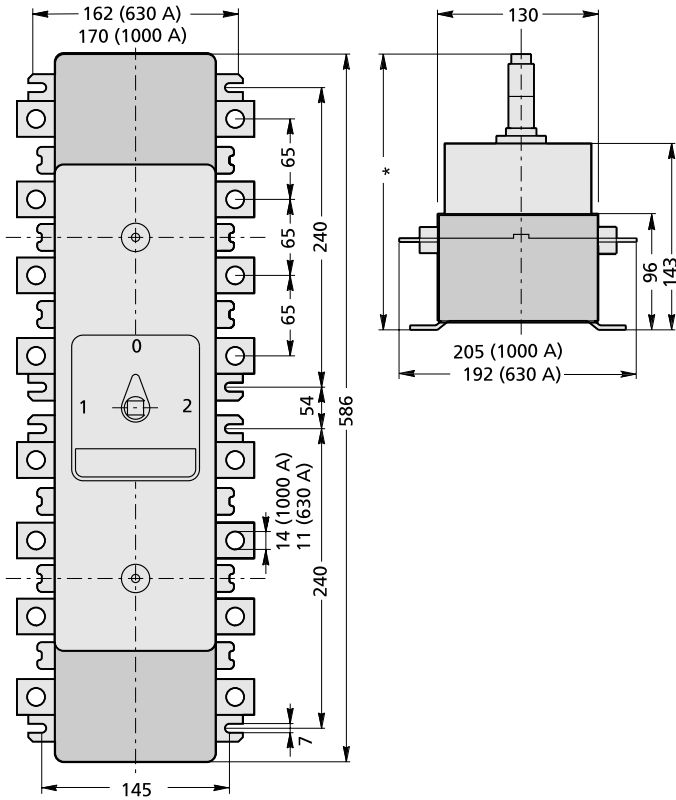
* Dependant on the applied operating shaft

DMV Change-over mechanisms, 160 A to 2000 A, 690 V a.c.

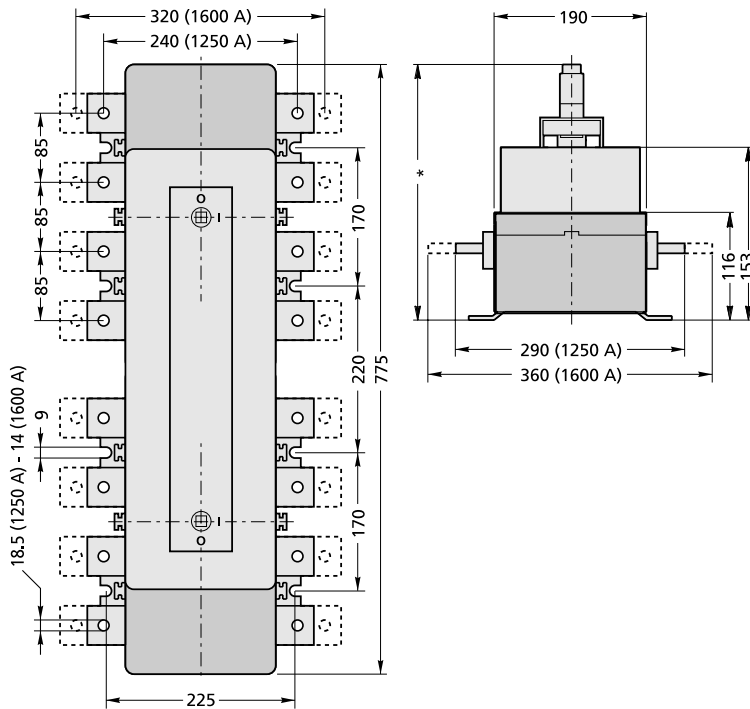
DMV Change-over mechanisms

Outline drawings

Change-over mechanisms suitable for DMV 630N and DMV 1000N - vertical - mm



Change-over mechanisms suitable for DMV 1250N and DMV 1600N - vertical - mm



* Dependant on the applied operating shaft

Optimise space and budget

Eaton are dedicated to offering innovative solutions that are safe, compact, reliable and financially efficient. With budgets across the sector increasingly squeezed, the importance of reducing costs across engineering, wiring, testing and commissioning is paramount to future profitability. Eaton can help you achieve this cost reduction and improve downtime in the process.

Standardize Operations

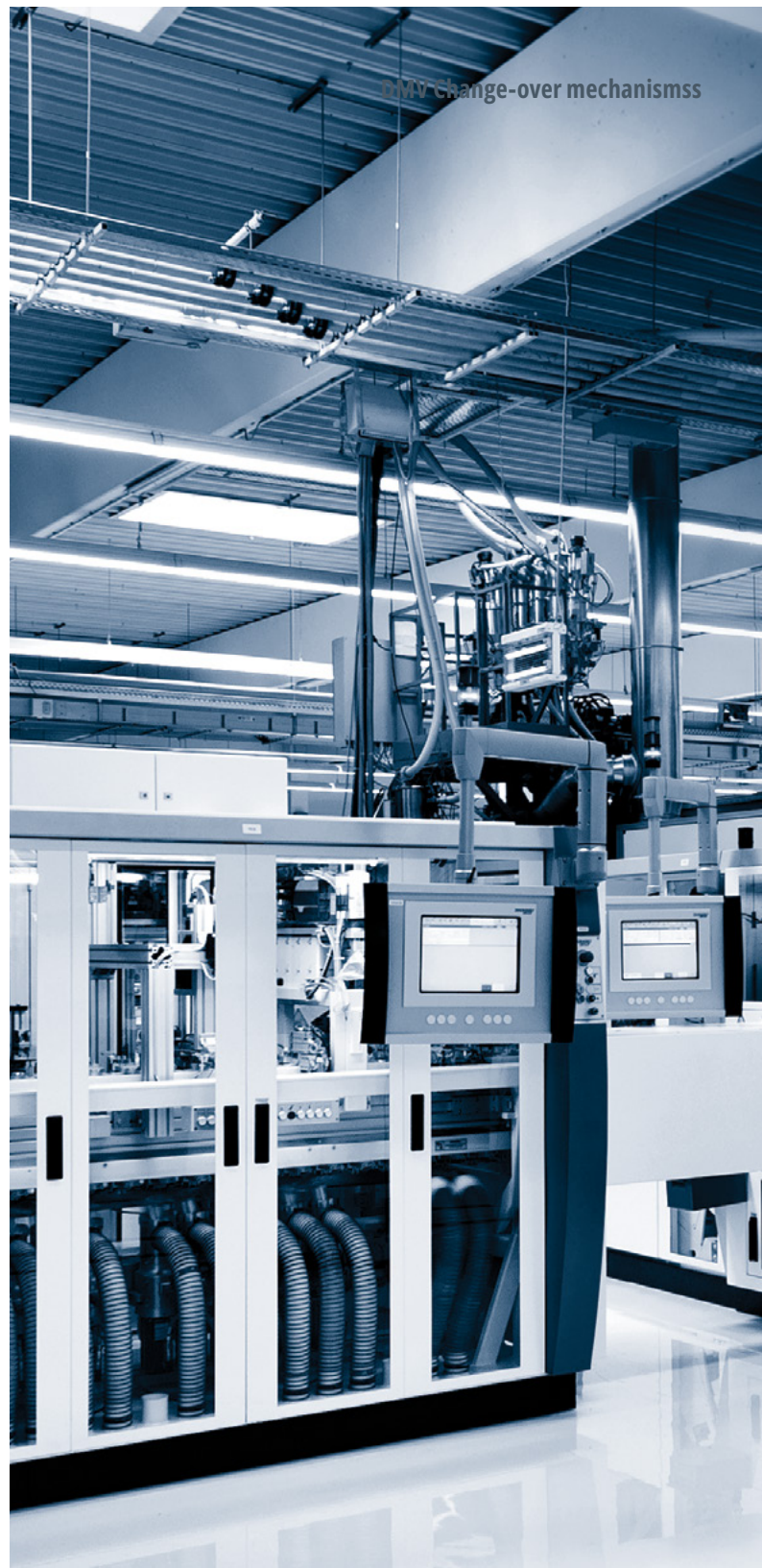
Our portfolio of standardised solutions can revolutionise your operational efficiency. Designed to meet global standards, manage costs and reduce energy consumption, Eaton can help you build state-of-the-art systems that are both easy to maintain and service.

Improve integrated performance

Offering compatibility with a wide variety of technology our solutions can be integrated into ready built systems to enhance flexibility, improve diagnostic output and increase communication between machines within a network.

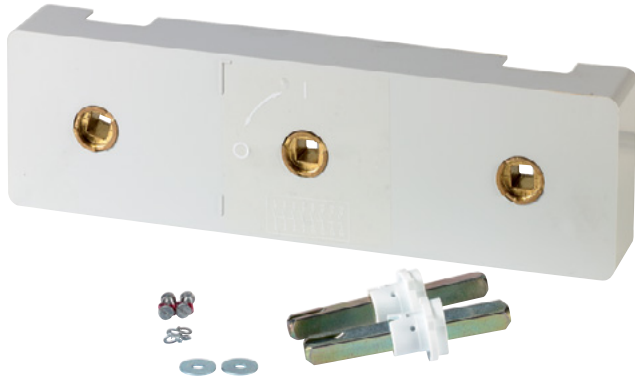
Prioritize Safety

Safety is one of Eaton's greatest priorities throughout the machine building process, we are dedicated to developing safer working environments and reducing operational risks. Our solutions have been efficiently designed to meet all regulatory requirements without duplicating wiring or generating resource waste. The safeguards we implement at every stage of the process ensure risk of overload, damage or fire is minimized.



DMV Multipole mechanisms , 160 A to 1000 A, 690 V a.c.

DMV Multipole mechanisms, 160 A to 1000 A, 690 V a.c.



Description

The Dumeco DMV multipole mechanisms convert DMV switch-disconnectors into 6 to 8-pole disconnectors.

Standards/Approvals

- IEC 60947-3
- EAC
- KEMA-KEUR
- Lloyd's Register
- CCC

Technical data

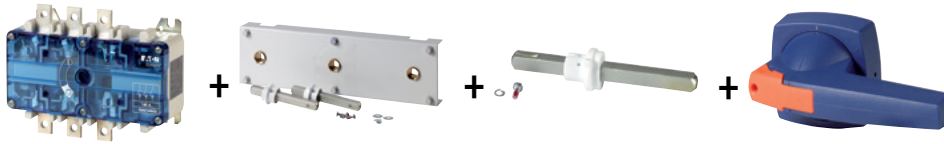
- Voltage: 690 V a.c.
- Current: 160 A to 1000 A

Features

- Compact
- Made of non-tracking materials
- Independent manual operation
- Easy installation of switched or solid neutral for 4-pole version

Required parts for the multipole mechanisms

- 2 switch-disconnectors
- 1 multipole mechanism
- 1 operating shaft (10 mm or 14 mm)
- 1 change-over handle.



2 switch-disconnectors

1 multipole mechanism

Operating shaft

Handles

Multipole mechanisms for Dumeco DMV switch-disconnectors



1314039

Suitable for DMV	Part number	Article number	Pack qty
DMV 160N	MPDMV160N	1314337	1
DMVS 160N, DMV 250N and DMV 400N	MPDMV250N/400N	1314039	1
DMV 630N and DMV 1000N	MPDMV630N/1000N	1314040	1

Handles and shafts

Handles mounting types overview

DMV	K Types handle	Shaft mm	A Type handles			D/P Type handles			D/C Type handles		
			Blue	Red	Grey	Blue	Red/Yellow	Grey	Blue	Red/Yellow	Grey
DMV 160N	K3	10 x 10	✓	✓	✓	✓	✓	✓	✓	✓	✓
DMVS 160N	K3	10 x 10	✓	✓	✓	✓	✓	✓	✓	✓	✓
DMV 250N	K3	10 x 10	✓	✓	✓	✓	✓	✓	✓	✓	✓
DMV 400N	K3	10 x 10	✓	✓	✓	✓	✓	✓	✓	✓	✓
DMV 630N	K5	14 x 14	✓	✓	✓	✓	✓	✓	✓	✓	✓
DMV 1000N	K5	14 x 14	✓	✓	✓	✓	✓	✓	✓	✓	✓

A Type: Handle mounted directly on switch

D/P Type: Handle padlockable for mounting on hinged door, with interlock function

D/C Type: Handle with cylinder lock for mounting on hinged door, supplied with two keys, with interlock function

See handles dimensions pages 95 to 98

DMV Multipole mechanisms , 160 A to 1000 A, 690 V a.c.

DMV Multipole mechanisms

Handles and shafts

A Type handles

Mounted directly on switch suitable for DMV 160N, DMVS 160N, DMV 250N up to DMV 1000N



K3 A handle
1818111



K5 A handle
1818011



Shafts

Multipole mechanism	Suitable for DMV	A Type handles			Metal shafts				Pack qty		
		Handle colours			Shaft mm□	Length of shafts					
		Blue	Red	Grey		135 mm	200 mm	245 mm		400 mm	
MPDMV160N 1314337	DMV 160N				10 x 10	4K10K3H135 1050240		4K10K3H245 1050242	4K10K3H400 1050243	1	
MPDMV250N/400N 1314039	DMVS 160N	K3AB 1818110	K3AR 1818111	K3AG 1818202							
	DMV 250N										
	DMV 400N										
MPDMV630N/1000N 1314040	DMV 630N	K5AB 1818011	K5AR 1818012		14 x 14			4K14K5H200 1050244		4K14K5H400 1050247	1
	DMV 1000N										

D/P Type handles

Padlockable for mounting on hinged door, with interlock function, suitable for DMV 160N, DMVS 160N up to and DMV 1000N



K3 D/P handle
1818096



K5 D/P handle
1818056



Shafts

Multipole mechanism	Suitable for DMV	D/P Type handles			Metal shafts				Pack qty		
		Handle colours			Shaft mm□	Shaft length					
		Blue	Red	Grey		135 mm	200 mm	245 mm		400 mm	
MPDMV160N 1314337	DMV 160N				10 x 10	4K10K3H135 1050240		4K10K3H245 1050242	4K10K3H400 1050243	1	
MPDMV250N/400N 1314039	DMVS 160N	K3DB/P 1818113	K3DR/P 1818096	K3DG/P 1818069							
	DMV 250N										
	DMV 400N										
MPDMV630N/1000N 1314040	DMV 630N	K5DB/P 1818056	K5DR/P 1818057	K5DG/P 1818058	14 x 14			4K14K5H200 1050244		4K14K5H400 1050247	1
	DMV 1000N										

Handles and shafts

D/C Type handles

With cylinder lock for mounting on hinged door, with interlock function, suitable for DMV 160N, DMVS 160N up to DMV 1000N



K3 D/C handle
1818097



K5 D/C handle
1818061



Shafts

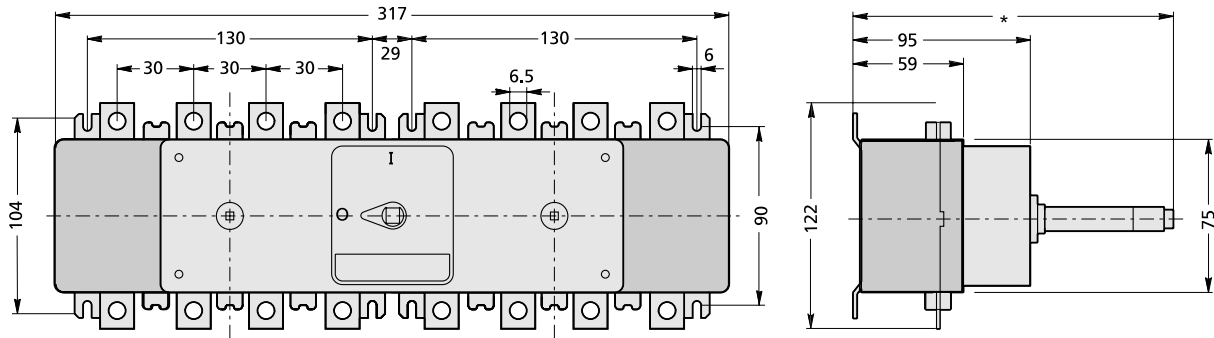
Multipole mechanism	Suitable for DMV	D/C Type handles			Metal shafts				Pack qty		
		Handle colours			Shaft mm□	Length of shafts					
		Blue	Red	Grey		135 mm	200 mm	245 mm		400 mm	
MPDMV160N 1314337	DMV 160N										
MPDMV250N/400N 1314039	DMVS 160N	K3DB/C 1818114	K3DR/C 1818097	K3DG/C 1818070	10 x 10	4K10K3H135 1050240		4K10K3H245 1050242	4K10K3H400 1050243	1	
	DMV 250N										
	DMV 400N										
MPDMV630N/1000N 1314040	DMV 630N	K5DB/C 1818059	K5DR/C 1818060	K5DG/C 1818061	14 x 14			4K14K5H200 1050244		4K14K5H400 1050247	1
	DMV 1000N										

DMV Multipole mechanisms , 160 A to 1000 A, 690 V a.c.

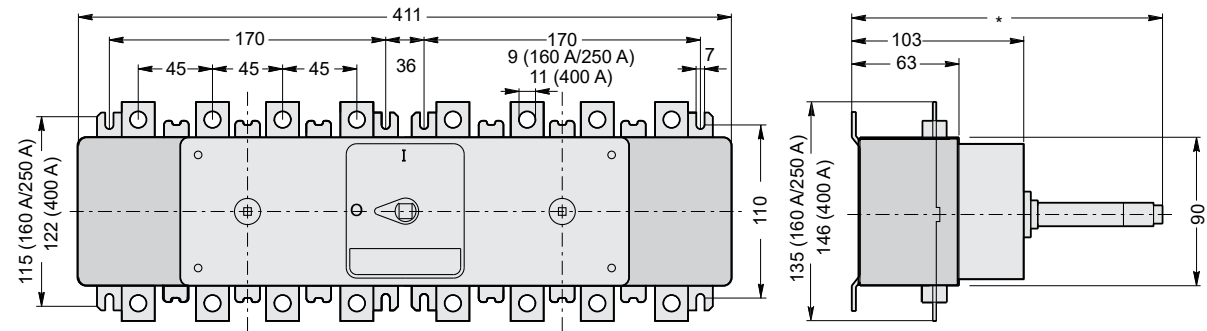
DMV Multipole mechanisms

Outline drawings

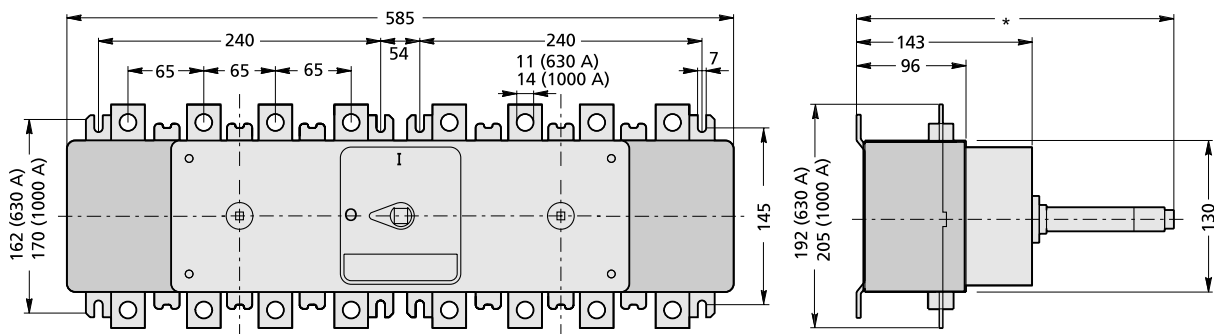
Multipole mechanisms suitable for DMV 160N - horizontal - mm



Multipole mechanisms suitable for DMVS 160N, DMV 250N and DMV 400N - horizontal - mm



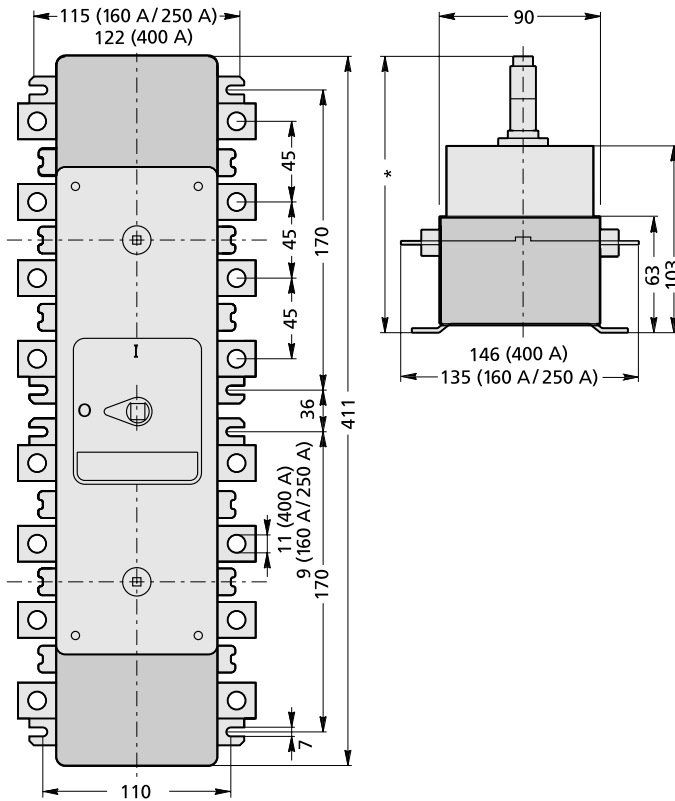
Multipole mechanisms suitable for DMV 630N and DMV 1000N - horizontal - mm



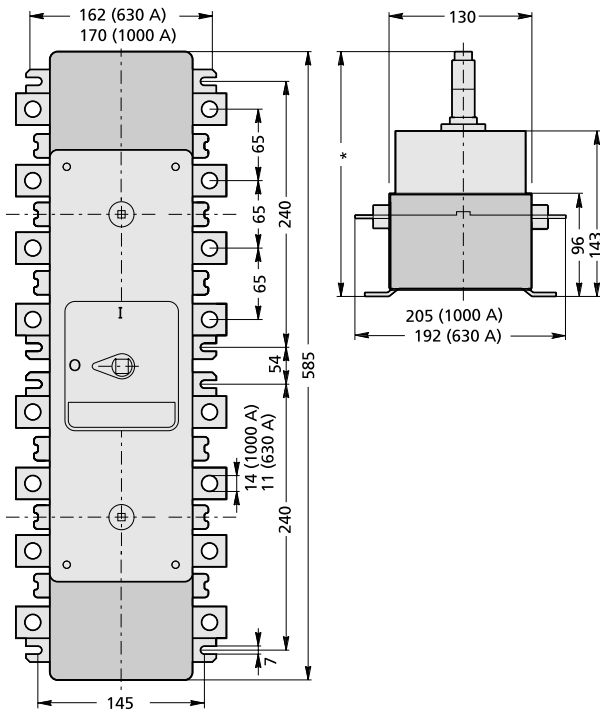
* Dependant on the applied operating shaft

Outline drawings

Multipole mechanisms suitable for DMVS 160N, DMV 250N and DMV 400N - vertical - mm



Multipole mechanisms suitable for DMVS 160N, DMV 250N and DMV 400N - vertical - mm



* Dependant on the applied operating shaft

Change-over and multipole switches, 40 A to 100 A, 690 V a.c.

QM Change-over and multipole switches, 40 A to 100 A, 690 V a.c.



Description

The change-over and multipole switches Type QM provide safe isolation in a wide range of low voltage applications where 6 to 8-poles are required, also the perfect solution for 3 to 4-pole change-over applications.

Thanks to their excellent making and breaking capacity under load conditions they are particularly suited for use in distribution panels and for machine controls.

Standards/Approvals

- IEC 60947-3
- EAC

Technical data

- Voltage: 690 V ac.
- Current: 40 A to 100 A
- 6 to 8-pole OFF-ON
- 3 or 4-pole change-over applications
- Direct operation or with door mount knob
- Utilisation category: AC-23A

Mounting options

- DIN-Rail mounting and base plate

Features

- Compact
- Made of non-tracking material
- Independent manual operation for ON and OFF switching
- Easy installation of switched or solid neutral for 4-pole version

QM Change-over and multipole switches - range overview

	40 A	50 A	63 A	80 A	100 A
Change-over switches, 3 -pole and 3-pole + switched neutral	✓		✓		✓
Multipole switches, 6-pole and 6-pole + 2 switched neutral		✓		✓	

QM Change-over switches



1319970

Number of poles	Thermal current I_{the}	Suitable shaft	Part number	Article number	Pack qty
2 x 3P + switched neutral	40 A	6 x 6 mm	QM40/3N	1319970	1
2 x 3P	63 A	6 x 6 mm	QM63/3	1319807	1
2 x 3P + switched neutral	63 A	6 x 6 mm	QM63/3N	1319915	1
2 x 3P	100 A	6 x 6 mm	QM100/3	1319815	1
2 x 3P + switched neutral	100 A	6 x 6 mm	QM100/3N	1319916*	1

QM Multipole switches



1319904

Number of poles	Thermal current I_{the}	Suitable shaft	Part number	Article number	Pack qty
6P	50 A	6 x 6 mm	QM63/6	1319806	1
6P + 2 switched neutral	50 A	6 x 6 mm	QM63/6N2	1319904	1
6P	80 A	6 x 6 mm	QM100/6	1319814	1
6P + 2 switched neutral	80 A	6 x 6 mm	QM100/6N2	1319905	1

Parts required for interlock door mounted handle

- 1 QM change-over or multipole switch
- 1 coupling for use with extension shaft
- 1 extension shaft for door mounting the operating knob
- 1 door coupling
- 1 operating knob



1 change-over or multipole switch

+



1 coupling for use with extension shaft

+



1 extension shaft for door mounting the operating knob

+



1 door coupling

+



1 operating knob

Change-over and multipole switches, 40 A to 100 A, 690 V a.c.

QM Change-over and multipole switches

Accessories

Coupling for use with extension shafts



1319833

Shaft mm □	Part number	Article number	Pack qty
6 x 6	COUP6X6MM	1319833	1

Extension shaft for door mounting the operating knob



1319830

Shaft mm □	Length	Suitable for knob	Part number	Article number	Pack qty
6 x 6	180mm	K1/K2S	4K6180MMK1/2S	1319830	1
6 x 6	300 mm	K1/K2S	4K6300MMK1/2S	1319831	1
6 x 6	600 mm	K1/K2S	4K6600MMK1/2S	1319832	1

Door coupling



1319857

Description	Part number	Article number	Pack qty
Door coupling base-plate for change-over and multipole switches	QMDOORCOUP	1319857	1

Operating knob



1319855

Description	Part number	Article number	Pack qty
Operating knob black (0-1) for multipole switch	QMHANDLEMP	1319855	1
Operating knob, black (1-0-2) for change-over switch	QMHANDLECO	1319856	1

Connection sets (4-pole) for change-over switch only



1319969

QM	Part number	Article number	Pack qty
QM40 and QM63	QMCOSET40/63	1319969	1
QM 100	QMCOSET100	1319967	1

Solid neutrals



1319858

QM	Number of poles	Part number	Article number	Pack qty
QM40/3 and QM60/3	3P + Solid neutral	QMNEUTRAL40/634P	1319858	1
QM80/3 and QM100/3	3P + Solid neutral	QMNEUTRAL80/1004P	1319859	1

Accessories

Earth terminals



1319868

QM	Part number	Article number	Pack qty
QM40 and QM63	QMEARTH40/63	1319868	1
QM80 and QM100	QMEARTH80/100	1319869	1

Auxiliary switches



1319853

QM	Contact configuration	Part number	Article number	Pack qty
QM40 and QM63	1 NO + 1 NC	QMAUX1NO+1NC40/63	1319851	1
QM80 and QM100	1 NO + 1 NC	QMAUX1NO+1NC80/100	1319853	1

Protective covers set for connection terminals



1319870

QM	Number of poles	Part number	Article number	Pack qty
QM 40/3, QM 63/3	3P	QMCOVER40/633P	1319870	1
QM 80/30, QM 100/3	3P	QMCOVER80/1003P	1319872	1
QM 40/3N, QM 63/3N	3P + Neutral	QMCOVER40/633P+N	1319871	1
QM 80/3, QM 100/3N	3P + Neutral	QMCOVER80/1003P+N	1319873	1

Change-over and multipole switches, 40 A to 100 A, 690 V a.c.

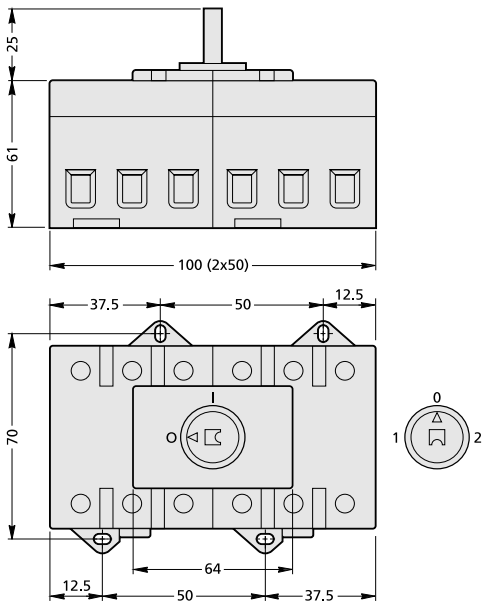
QM Change-over and multipole switches

Technical data

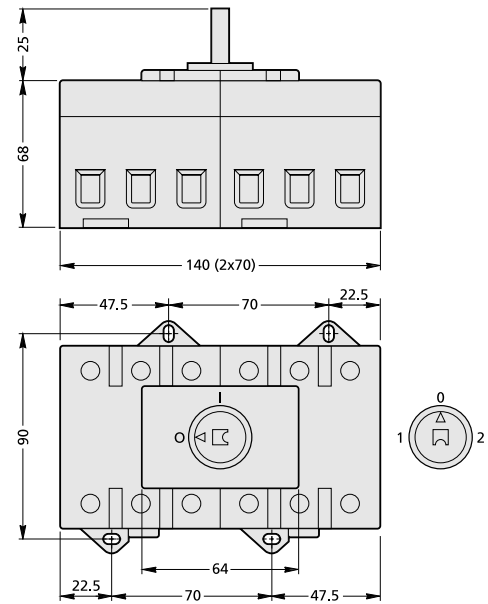
		QM 40	QM 63	QM 100	
Conventional free air thermal current	I_{th}	40 A	63 A	100 A	
Conventional enclosed thermal current	I_{the}	40 A	55 A	100 A	
Conventional thermal current in enclosure (multipole)	I_{the}	40 A	50 A	80 A	
Rated uninterrupted current	I_u	40 A	63 A	100 A	
Rated operational current	U_e	690 V	690 V	690 V	
Rated insulation voltage	U_i	690 V	690 V	690 V	
Rated impulse withstand voltage	U_{imp}	8 kV	8 kV	8 kV	
Rated operational current					
AC-21A	At $U_e = 240$ V AC-21A	I_e	40 A	63 A	100 A
	At $U_e = 440$ V AC-21A	I_e	40 A	63 A	100 A
	At $U_e = 500$ V AC-21A	I_e	40 A	63 A	100 A
	At $U_e = 690$ V AC-21A	I_e	40 A	63 A	100 A
AC-22A	At $U_e = 240$ V AC-22A	I_e	40 A	63 A	100 A
	At $U_e = 440$ V AC-22A	I_e	40 A	63 A	100 A
	At $U_e = 500$ V AC-22A	I_e	40 A	63 A	100 A
	At $U_e = 690$ V AC-22A	I_e	40 A	55 A	85 A
Rated operational current/power					
AC-23A	At $U_e = 240$ V AC-23A	I_e	7.5 kW	11 kW	22 kW
	At $U_e = 440$ V AC-23A	I_e	15 kW	22 kW	37 kW
	At $U_e = 500$ V AC-23A	I_e	18.5 kW	30 kW	45 kW
	At $U_e = 690$ V AC-23A	I_e	15 kW	18.5 kW	30 kW
AC-3	At $U_e = 240$ V AC-3	I_e	7.5 kW	11 kW	18.5 kW
	At $U_e = 440$ V AC-3	I_e	11 kW	18.5 kW	30 kW
	At $U_e = 500$ V AC-3	I_e	15 kW	22 kW	37 kW
	At $U_e = 690$ V AC-3	I_e	11 kW	15 kW	22 kW
Rated short-time withstand current	I_{cw}	0.5 kA - 1 s	0.78 kA - 1 s	1.85 kA - 1 s	
Rated short-circuit making capacity	I_{cm}	3 kA	3 kA	3 kA	
Rated conditional fuse-protected short-circuit current withstand/making	$I_p (I_q)$	15 kA	15 kA	15 kA	
Fuse link	I_n	50 A	63 A	100 A	
Switched neutral conventional free air thermal current	I_{the}	40 A	63 A	100 A	
Rated operational current					
	At $U_e = 500$ V AC-22A	I_e	40 A	63 A	100 A
Auxiliary switch					
Rated operational current					
	At $U_e = 380$ V AC-11	I_e	3 A	3 A	3 A
	At $U_e = 660$ V AC-11	I_e	10 A	10 A	10 A
Terminal capacities					
	Copper conductor Solid/Stranded/Flexible		2.5 - 16 mm ²	2.5 - 16 mm ²	10 - 35 mm ²
	Tightening torque		1.2 Nm	1.2 Nm	2.5 Nm
	Pollution degree		III/3		
	Protection class		IP20		
	Standards		EN IEC 60947-3, EAC		

Outline drawings

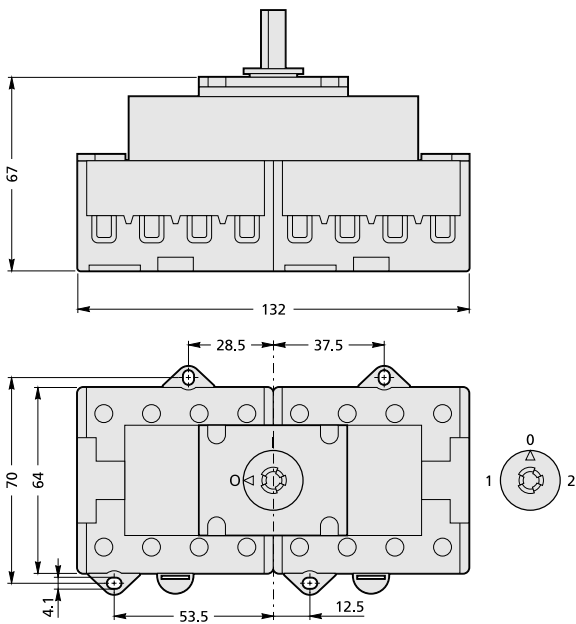
6-pole, QM63/3 and QM63/6 - mm



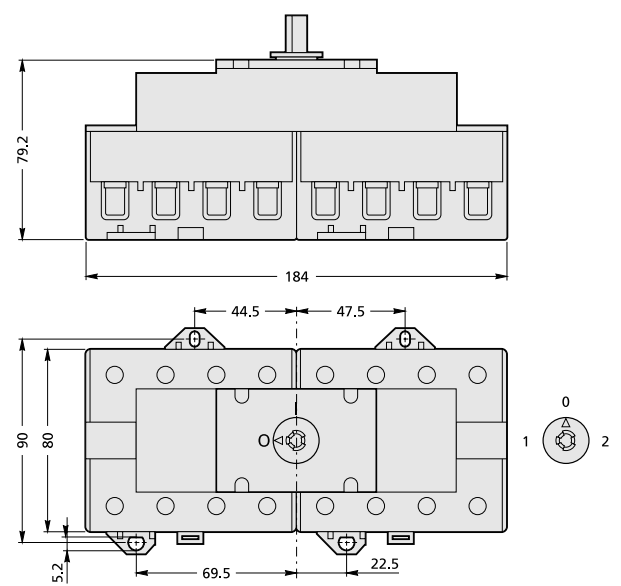
6-pole, QM100/3 and QM100/6 - mm



8-pole, QM40/3N, QM63/3N and QM63/6N2 - mm



8-pole, QM100/3N and QM100/6N2 - mm



Manual transfer switches, 16 A to 63 A, 690 V a.c.

MTS Manual transfer switches, 16 A to 63 A, 690 V a.c.



3-pole



4-pole



In enclosure

Description

Our Manual Transfer Switches (MTS) provide safe isolation in a wide range of low voltage applications where 3- or 4-pole are required.

Thanks to their excellent making and breaking capacity under load conditions they are particularly suited for use in distribution panels and for machine controls.

Standards/Approvals

- DIN EN 60947-3
- IEC 60947-6-1

Technical data

- Voltage: 690 V ac.
- Current: 16 A to 63 A
- 3 or 4-pole
- Mounted knob for direct operation
- Utilisation category: AC-23A

Mounting options

- DIN-Rail mounting and screw mounting

Features

- Compact footprint ideal for Photovoltaic and Residential retrofits
- Plug and play bridge reduces wiring effort
- Enclosed option available

MTS Manual transfer switch - range overview

	16 A	32 A	40 A	63 A
3 -pole and 4-pole	✓	✓	✓	✓
Enclosed 3-pole and 4-pole	✓	✓	✓	✓

MTS - 3-pole and 4-pole



EP-401727

Number of poles	Thermal current I_{the}	Part number	Article number	Pack qty
3P	16 A	MTS-16/Z/3	EP-401727	1
3P	32 A	MTS-32/Z/3	EP-401728	1
3P	40 A	MTS-40/Z/3	EP-401729	1
3P	63 A	MTS-63/Z/3	EP-401730	1
4P	16 A	MTS-16/Z/4	EP-401735	1
4P	32 A	MTS-32/Z/4	EP-401736	1
4P	40 A	MTS-40/Z/4	EP-401737	1
4P	63 A	MTS-63/Z/4	EP-401738	1

Enclosed MTS - 3-pole and 4-pole



EP-401731

Number of poles	Thermal current I_{the}	Part number	Article number	Pack qty
3P	16 A	MTS-16/ENC/3	EP-401731	1
3P	32 A	MTS-32/ENC/3	EP-401732	1
3P	40 A	MTS-40/ENC/3	EP-401733	1
3P	63 A	MTS-63/ENC/3	EP-401734	1
4P	16 A	MTS-16/ENC/4	EP-401739	1
4P	32 A	MTS-32/ENC/4	EP-401740	1
4P	40 A	MTS-40/ENC/4	EP-401741	1
4P	63 A	MTS-63/ENC/4	EP-401742	1

Auxiliary contact



EP-401743

Part number	Article number	Pack qty
MTS-HI11	EP-401743	1

Manual transfer switches, 16 A to 63 A, 690 V a.c.

MTS 3- and 4-pole switches

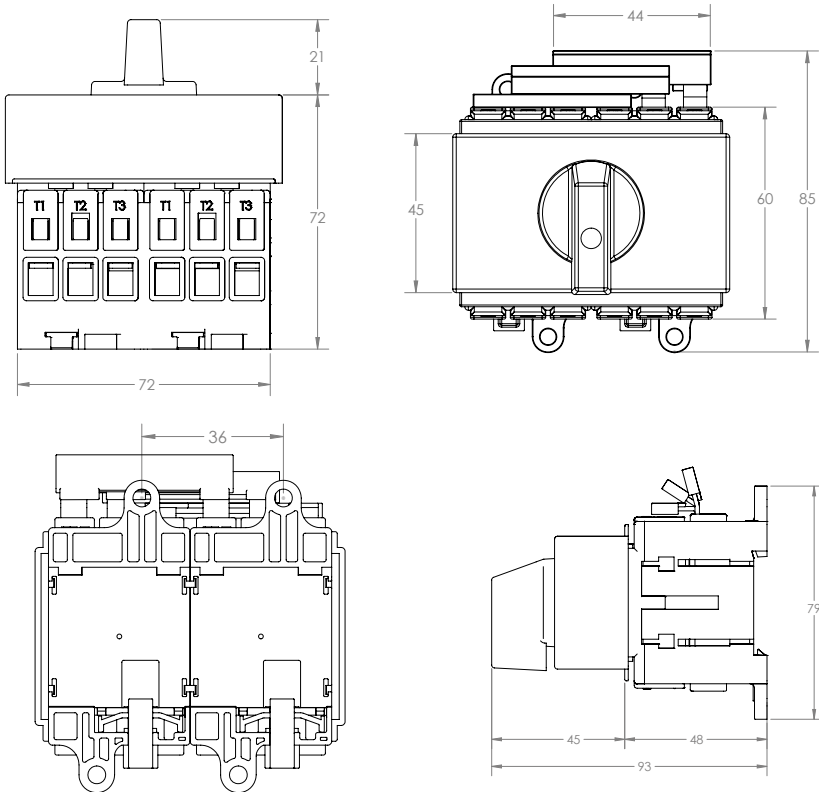
Technical data

MTS		MTS 16	MTS 32	MTS 40	MTS 63	
Rated insulation voltage	U_i	690 VAC	690 VAC	690 VAC	690 VAC	
Rated impulse withstand voltage	U_{imp}	6 kV	6 kV	6 kV	6 kV	
Conventional enclosed thermal current	I_{the}	16 A	32 A	40 A	63 A	
Rated conditional short-circuit breaker	I_{cc}	6 kA	6 kA	6 kA	6 kA	
Frequency		50/60 Hz	50/60 Hz	50/60 Hz	50/60 Hz	
Rated operational current						
AC-21A	At $U_e = 690$ V AC-21A	I_e	16 A	32 A	40 A	63 A
AC-23A	At $U_e = 230$ V AC-23A	I_e	11 A	22 A	27 A	38 A
	At $U_e = 400$ V AC-23A	I_e	16 A	22 A	29 A	41 A
	At $U_e = 690$ V AC-23A	I_e	9 A	13 A	17 A	21 A
AC-3A	At $U_e = 230$ V AC-3A	I_e	-	-	-	38 A
	At $U_e = 400$ V AC-3A	I_e	-	-	-	35 A
	At $U_e = 690$ V AC-3A	I_e	-	-	-	17 A
AC-31A	At $U_e = 230$ V AC-31A	I_e	16 A	32 A	40 A	40 A
	At $U_e = 400$ V AC-31A	I_e	16 A	32 A	40 A	40 A
AC-32A	At $U_e = 230$ V AC-32A	I_e	16 A	32 A	40 A	40 A
	At $U_e = 400$ V AC-32A	I_e	16 A	32 A	40 A	40 A
AC-33A	At $U_e = 230$ V AC-33A	I_e	16 A	32 A	40 A	40 A
	At $U_e = 400$ V AC-33A	I_e	16 A	32 A	40 A	40 A
Rated operational power						
AC-23A	At $U_e = 230$ V AC-23A	I_e	3	6	7.5	11
	At $U_e = 400$ V AC-23A	I_e	7.5	11.5	15	22
	At $U_e = 690$ V AC-23A	I_e	7.5	11.5	15	18.5
AC-3	At $U_e = 230$ V AC-3	I_e	3	5.5	7.5	11
	At $U_e = 400$ V AC-3	I_e	5.5	9.5	11.5	18.5
	At $U_e = 690$ V AC-3	I_e	5.5	9.5	11.5	15
Tightening torque	Nm (lb-in)		2 (17.7)	2 (17.7)	2 (17.7)	2 (17.7)
	mm ²		2.5 - 16	2.5 - 16	2.5 - 16	2.5 - 16
	in		(0.09 - 0.62)	(0.09 - 0.62)	(0.09 - 0.62)	(0.09 - 0.62)
Protection class		IP65 (enclosed)/IP40 (Non enclosed versions)				
Standards		DIN EN 60947-3, IEC 60947-6-1				

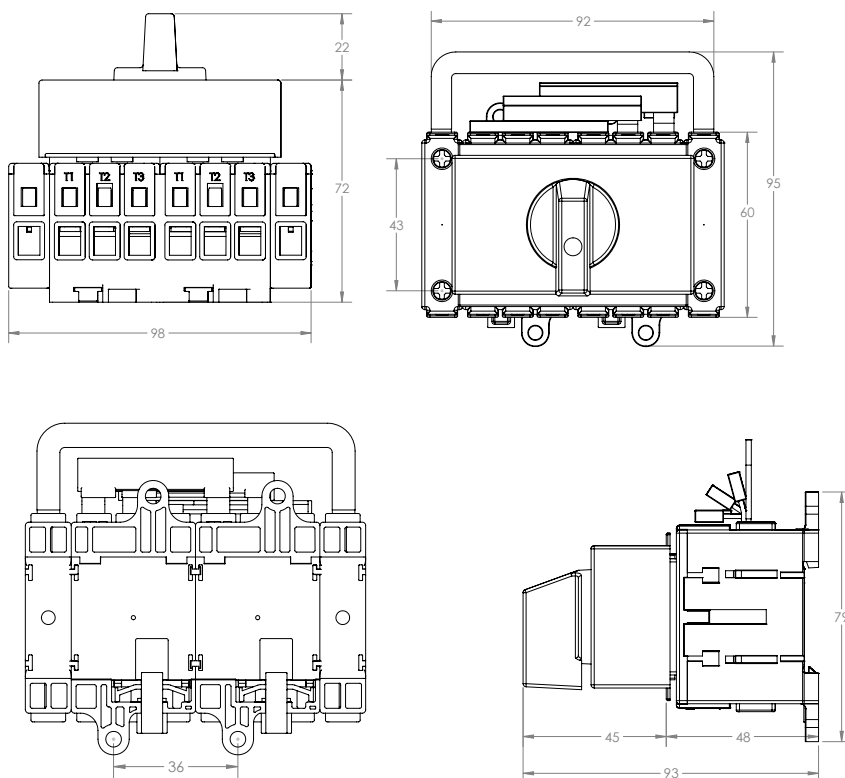
Auxiliary contact		MTS-HI11
Conventional thermal current	I_{the}	10 A
Rated insulation voltage	U_i	500 VAC
Frequency		50/60 Hz
Tightening torque	Nm (lb-in)	1.1 (9.73)
	mm ²	2 x 0.75 - 4
	in	(0.03 - 0.15)

Outline drawings

3-pole - mm



4-pole - mm

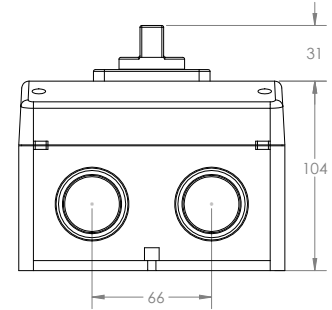
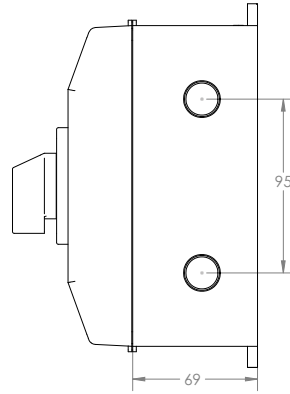
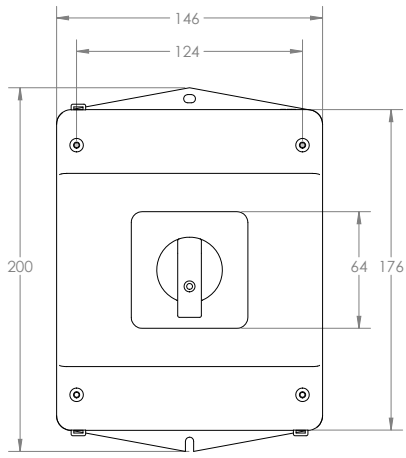


Manual transfer switches, 16 A to 63 A, 690 V a.c.

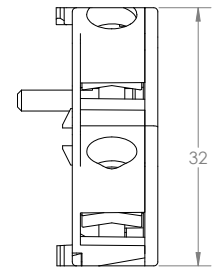
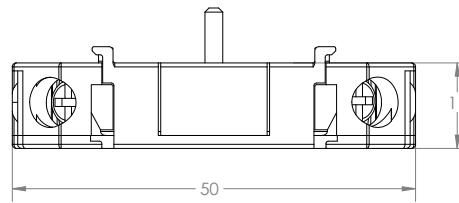
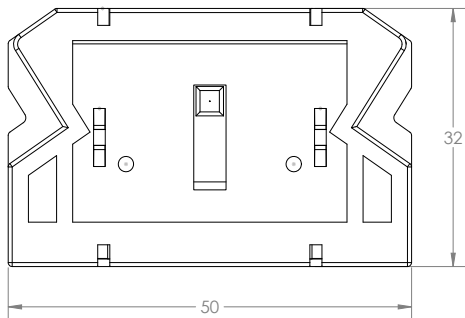
MTS 3- and 4-pole switches

Outline drawings

Enclosed 3 and 4-pole - mm

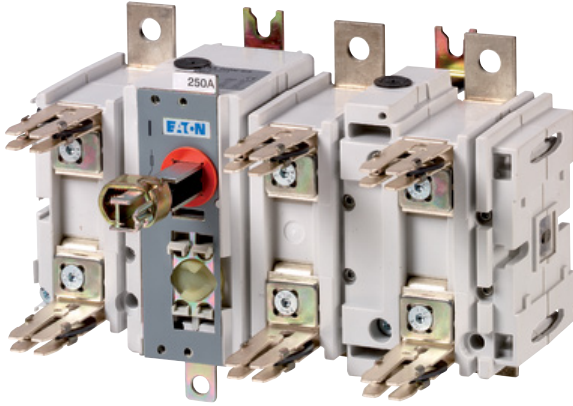


Auxiliary contact - mm

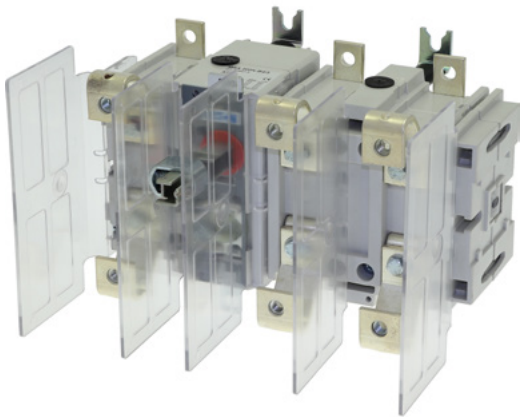


Fused switch-disconnectors, 40 A to 800 A, 690 V a.c.

QSA Fused switch-disconnector, 40 A to 800 A, 690 V a.c.



QSA DIN



QSA BS

Description

The QSA fused switch-disconnector provide the ultimate safety in electrical protection for equipment and personnel. The NH DIN fuse links and low voltage British Standard industrial fuse links, fitted in the QSA unit protect the equipment against overcurrents and the switch enables safe disconnection for a high number of switching operations.

Frame sizes

0, 1, 2 and 3

Standards/Approvals

- IEC 60947-3
- EAC,
- KEMA-KEUR
- Lloyd's Register

Technical data

- Voltage: 690 V ac.
- Current: 40 A to 800 A
- 3-pole and solid/switched neutral options

Recommended fuse links

- For QSA DIN: Eaton's Bussmann series low voltage NH Fuse links body size 00 to 3
- For QSA BS: Eaton's Bussmann series low voltage British Standard industrial fuse links

Features

- All standard switches have a 3-pole frame
- Separate switched or bolted neutrals can be mounted to the switch on location or ordered pre-mounted
- Totally enclosed compact housing made of creepage-proof, heat resistant, insulation material
- Spring-loaded silver-plated roller contacts
- Independent manual operation
- Double break interruption
- Easy to install

Fused switch-disconnectors, 40 A to 800 A, 690 V a.c.

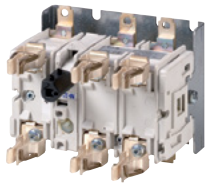
QSA Fused switch-disconnector

QSA Fused switch-disconnector, suitable for NH DIN Fuse links, 40 A to 800 A, 690 V a.c.

QSA DIN range overview

QSA DIN	Frame size	40 A	63 A	100 A	125 A	160 A	200 A	250 A	315 A	400 A	630 A	800 A
Fused switch-disconnector	0	✓	✓									
	1		✓	✓	✓	✓						
	2						✓	✓	✓	✓		
	3									✓	✓	✓

QSA DIN Fused switch-disconnector



1320205



1318546



1318526



1318542

Thermal current I_{the}	Number of poles	Frame size	Part number	Article number	Pack qty	Compatible Eaton's Bussmann series NH Fuse body size
40 A	3P	0	QSA40N0-00/3	1320201	1	NH 000 and NH 00
40 A	3P	0	QSA40N0-00/3+P*	1320205*	1	NH 000 and NH 00
63 A	3P	0	QSA63N0-00/3	1320203	1	NH 000 and NH 00
63 A	3P	0	QSA63N0-00/3+P*	1320207*	1	NH 000 and NH 00
63 A	3P + solid neutral	0	QSA63N0-00/1	1320297	1	NH 000 and NH 00
63 A	3P + switched neutral	0	QSA63N0-00/3N	1320298	1	NH 000 and NH 00
63 A	3P	1	QSA63N1-00/3	1318027	1	NH 000 and NH 00
100 A	3P	1	QSA100N1-00/3	1318546	1	NH 000 and NH 00
100 A	3P + solid neutral	1	QSA100N1-00/1	1318550	1	NH 000 and NH 00
100 A	3P + switched neutral	1	QSA100N1-00/3N	1318551	1	NH 000 and NH 00
125 A	3P	1	QSA125N1-00/3	1318030	1	NH 000 and NH 00
160 A	3P	1	QSA160N1-00/3	1318033	1	NH 000 and NH 00
160 A	3P + solid neutral	1	QSA160N1-00/1	1318552	1	NH 000 and NH 00
160 A	3P + switched neutral	1	QSA160N1-00/3N	1318553	1	NH 000 and NH 00
200 A	3P	2	QSA200N-2/3	1318547	1	NH 1 and 2
250 A	3P	2	QSA250N-2/3	1318526	1	NH 1 and 2
250 A	3P + solid neutral	2	QSA250N-2/1	1318554	1	NH 1 and 2
250 A	3P + switched neutral	2	QSA250N-2/3N	1318555	1	NH 1 and 2
315 A	3P	2	QSA315N-2/3	1318548	1	NH 1 and 2
400 A	3P	2	QSA400N-2/3**	1318533**	1	NH 1 and 2
400 A	3P + solid neutral	2	QSA400N-2/1**	1318612**	1	NH 1 and 2
400 A	3P + switched neutral	2	QSA400N-2/3N**	1318614**	1	NH 1 and 2
400 A	3P	3	QSA400-3/3	1318549	1	NH 3
630 A	3P	3	QSA630-3/3	1318542	1	NH 3
630 A	3P + solid neutral	3	QSA630-3/1	1318694	1	NH 3
630 A	3P + switched neutral	3	QSA630-3/3N	1318699	1	NH 3
800 A	3P	3	QSA800-3/3**	1318543**	1	NH 3

* Fused switch-disconnector with box terminal clamps

** Thermal current rating only applicable when utilised in a ventilated enclosure

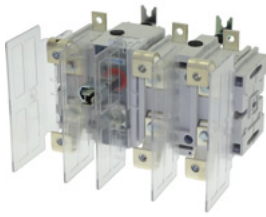
See compatible Eaton's Bussmann series NH fuse links

QSA Fused switch-disconnector, suitable for British Standard industrial fuse links, 40 A to 800 A, 690 V a.c.

QSA BS range overview

QSA DIN	Frame size	40 A	63 A	100 A	125 A	160 A	200 A	250 A	315 A	400 A	630 A	800 A
Fused switch-disconnector	0	✓	✓									
	1		✓	✓	✓	✓						
	2						✓	✓	✓	✓		
	3									✓	✓	✓

QSA BS Fused switch-disconnectors



1319065

Thermal current I _{the}	Number of poles	Frame size	Part number	Article number	Pack qty	Compatible fuse links BS reference	Compatible Eaton's Bussmann series fuse links
40 A	3P	0	QSA40N0-A3/3	1320200	1	A3	BAO, TIS
63 A	3P	0	QSA63N0-A3/3	1320202	1	A3	
40 A	3P	0	QSA40N0-A3/3+P*	1320204*	1	A3	BAO, TIS
63 A	3P	0	QSA63N0-A3/3+P*	1320206*	1	A3	
63 A	3P	1	QSA63N1-A3/3	1318011	1	A3	BAO, TIS
100 A	3P	1	QSA100N1-A4/3	1318016	1	A4	CEO, TCP
125 A	3P	1	QSA125N1-B2/3	1318020	1	B1 and B2	CD, DD, TC, TF
160 A	3P	1	QSA160N1-B2/3	1318023	1	B1 and B2	
200 A	3P	2	QSA200N-B2/3	1319065	1	B1 to B4	CD, DD, ED, TC, TF, TKF, TMF
250 A	3P	2	QSA250N-B4/3	1319074	1	B1 to B4	
315 A	3P	2	QSA315N-B4/3	1319095	1	B1 to B4	
400 A	3P	2	QSA400N-B4/3**	1319103**	1	B1 to B4	
400 A	3P	3	QSA400-C3/3	1318537	1	C1 to C3	EF, FF, GF, TTM
630 A	3P	3	QSA630-C3/3	1318544	1	C1 to C3	
800 A	3P	3	QSA800-C3/3**	1319175**	1	C1 to C3	

* Fused switch-disconnector with box terminal clamps

** Thermal current rating only applicable when utilised in a ventilated enclosure

See details on compatible Eaton's Bussmann series British Standard fuse links

Fused switch-disconnectors, 40 A to 800 A, 690 V a.c.

QSA Fused switch-disconnector

Handles and shafts

Handles mounting types overview

Frame size	K Type handles	A Type handles			C Type handles		D/P Type handles			D/C Type handles		
		Blue	Red	Grey	Blue	Red	Blue	Red/ Yellow	Grey	Blue	Red/ Yellow	Grey
0	K1	✓	✓	✓	✓	✓	✓	✓	✓			
1	K2	✓	✓	✓	✓	✓	✓	✓	✓	✓	✓	✓
2	K3	✓	✓	✓	✓	✓	✓	✓	✓	✓	✓	✓
3	K4	✓	✓	✓	✓	✓	✓	✓	✓	✓	✓	✓

A Type: Handle mounted directly on switch

C Type: Without interlock function, for example when mounted on the cover of Eaton's Halyester enclosure range

D/P Type: Handle padlockable for mounting on hinged door, with interlock function

D/C Type: Handle with cylinder lock for mounting on hinged door, supplied with two keys, with interlock function

See handles dimensions pages 95 to 98

A Type handles

Mounted directly on switch



K1 A handle
1818001



K2 A handle
1818005



K3 A handle
1818202



K4 A handle
1818010



Shafts

QSA Type	Frame size	A Type handles			Shaft mm□	Metal shafts						Pack qty
		Handle colours				Length of shaft						
		Blue	Red	Grey		115 mm	135 mm	140 mm	180 mm	300 mm	600 mm	
QSA40N0	0	K1AB 1818001	K1AR 1818002	K1AG 1818200	6 x 6				4K6180MMK1/2S 1319830	4K6300MMK1/2S 1319831	4K6600MMK1/2S 1319832	1
QSA63N1	1											
QSA100N1	1	K2AB 1818005	K2AR 1818006	K2AG 1818201	8 x 8	4K8115MMK2 1319303		4K8140MMK2 1319306	4K8180MMK2 1319307	4K8300MMK2 1319311	4K8600MMK2 1319301	1
QSA125N1	1											
QSA160N1	1											
QSA200N	2											
QSA250N	2	K3AB 1818110	K3AR 1818111	K3AG 1818202	10 x 10		4K10135MMK3 1319314		4K10180MMK3 1319315	4K10300MMK2 1319319	4K10600MMK2 1319322	1
QSA315N	2											
QSA400N	2											
QSA400	3											
QSA630	3	K4AB 1818009	K4AR 1818010	K4AG 1818203	12 x 12					4K12300MMK4 1319326	4K12600MMK4 1319329	1
QSA800	3											

Handles and shafts

C Type handles

Without interlock function, for example when mounted on the cover of Eaton's Halyester enclosure range



K1 C handle 1818016



K2 C handle 1818019



K3 C handle 1818112



K4 C handle 1818023



Shafts

C Type handles Metal shafts

QSA	Frame size	Handle colour		Shaft mm□	Length of shaft					Pack qty			
		Blue	Red/yellow		115 mm	135 mm	140 mm	180 mm	300 mm		600 mm		
QSA40N0	0	K1CB 1818015	K1CR 1818016	6 x 6				4K6180MMK1/2S 1319830	4K6300MMK1/2S 1319831	4K6600MMK1/2S 1319832	1		
QSA63N0	0												
QSA63N1	1	K2CB 1818019	K2CR 1818020	8 x 8	4K8115MMK2 1319303		4K8140MMK2 1319306	4K8180MMK2 1319307	4K8300MMK2 1319311	4K8600MMK2 1319301	1		
QSA100N1	1												
QSA125N1	1												
QSA160N1	1												
QSA200N	2	K3CB 1818068	K3CR 1818112	10 x 10	4K10135MMK3 1319314		4K10180MMK3 1319315	4K10300MMK2 1319319	4K10600MMK2 1319322	1			
QSA250N	2												
QSA315N	2												
QSA400N	2												
QSA400	3	K4CB 1818023	K4CR 1818024	12 x 12				4K12300MMK4 1319326		4K12600MMK4 1319329	1		
QSA630	3												
QSA800	3												

D/P Type handles

Padlockable for mounting on hinged door, with interlock function



K1 D/P handle 818029



K2 D/P handle 1818036



K3 D/P handle 1818113



K4 D/P handle 1818052



Shafts

D/P Type handles Metal shafts

QSA	Frame size	Handle colour			Shaft mm□	Length of shaft					Pack qty			
		Blue	Red/yellow	Grey		115 mm	135 mm	140 mm	180 mm	300 mm		600 mm		
QSA40N0	0	K1DB/P 1818029	K1DR/P 1818030	K1DG/P 1818031	6 x 6				4K6180MMK1/2S 1319830	4K6300MMK1/2S 1319831	4K6600MMK1/2S 1319832	1		
QSA63N0	0													
QSA63N1	1	K2DB/P 1818035	K2DR/P 1818036	K2DG/P 1818037	8 x 8	4K8115MMK2 1319303		4K8140MMK2 1319306	4K8180MMK2 1319307	4K8300MMK2 1319311	4K8600MMK2 1319301	1		
QSA100N1	1													
QSA125N1	1													
QSA160N1	1													
QSA200N	2	K3DB/P 1818113	K3DR/P 1818096	K3DG/P 1818069	10 x 10	4K10135MMK3 1319314		4K10180MMK3 1319315	4K10300MMK2 1319319	4K10600MMK2 1319322	1			
QSA250N	2													
QSA315N	2													
QSA400N	2													
QSA400	3	K4DB/P 1818050	K4DR/P 1818051	K4DG/P 1818052	12 x 12				4K12300MMK4 1319326		4K12600MMK4 1319329	1		
QSA630	3													
QSA800	3													

Fused switch-disconnectors, 40 A to 800 A, 690 V a.c.

QSA Fused switch-disconnector

Handles and shafts

D/C Type handles

With cylinder lock for mounting on hinged door, supplied with two keys, with interlock function



K2 D/C handle
1818041



K3 D/C handle
1818097



K4 D/C handle
1818055



Shafts

QSA	Frame size	D/C Type handles			Shaft mm□	Metal shafts						Pack qty
		Handle Type				Length of shaft						
		Blue	Red/yellow	Grey		115 mm	135 mm	140 mm	180 mm	300 mm	600 mm	
QSA63N1	1				8 x 8							1
QSA100N1	1	K2DB/C 1818041	K2DR/C 1818042	K2DG/C 1818043		4K8115MMK2 1319303		4K8140MMK2 1319306	4K8180MMK2 1319307	4K8300MMK2 1319311	4K8600MMK2 1319301	
QSA125N1	1											
QSA160N1	1											
QSA200N	2				10 x 10							1
QSA250N	2	K3DB/C 1818114	K3DR/C 1818097	K3DG/C 1818070			4K10135MMK3 1319314		4K10180MMK3 1319315	4K10300MMK2 1319319	4K10600MMK2 1319322	
QSA315N	2											
QSA400N	2											
QSA400	3				12 x 12							1
QSA630	3	K4DB/C 1818053	K4DR/C 1818054	K4DG/C 1818055						4K12300MMK4 1319326	4K12600MMK4 1319329	
QSA800	3											

Accessories for QSA

Conversion kit for locking the D Type handles in both On and Off position

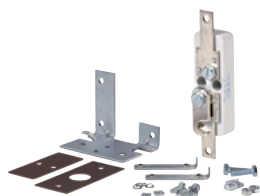


1818103

QSA	Frame size	DIN/BS	Part number	Article number	Pack qty
QSA40N0	0	✓	ADAPTORPADLOCK-K1	1818103	1
QSA63N0	0	✓			1
QSA63N1	1	✓			1
QSA100N1	1	✓	ADAPTORPADLOCK-K2	1818104	1
QSA125N1	1	✓			1
QSA160N1	1	✓			1
QSA200N	2	✓			1
QSA250N	2	✓	ADAPTORPADLOCK-K3	1818105	1
QSA315N	2	✓			1
QSA400N	2	✓			1
QSA400	3	✓	ADAPTORPADLOCK-K4	1818106	1
QSA630	3	✓			1
QSA800	3	✓			1

Accessories

Solid neutrals, side mounted



1319472

QSA Type	Frame size	DIN/BS	Part number	Article number	Pack qty
QSA40N0	0	✓			1
QSA63N0	0	✓	QSAN40/63A	1319460	1
QSA63N1	1	✓			1
QSA100N1	1	✓			1
QSA125N1	1	✓	QSAN100/125A	1319466	1
QSA160N1	1	✓	QSAN160A	1319472	1
QSA200N	2	✓			1
QSA250N	2	✓	QSAN160/200A	1319473	1
QSA315N	2	✓			1
QSA400N	2	✓	QSAN250/315/400A	1319480	1
QSA400	3	✓			1
QSA630	3	✓	QSAN400/630/800A	1319486	1
QSA800	3	✓			1

Switched neutrals, side mounted



1319482

QSA Type	Frame size	DIN/BS	Part number	Article number	Pack qty
QSA40N0	0	✓			1
QSA63N0	0	✓	QSANS40/63A	1319462	1
QSA63N1	1	✓			1
QSA100N1	1	✓			1
QSA125N1	1	✓	QSANS100/125A	1319467	1
QSA160N1	1	✓	QSANS160A	1319474	1
QSA200N	2	✓			1
QSA250N	2	✓	QSANS160/200A	1319476	1
QSA315N	2	✓			1
QSA400N	2	✓	QSANS250/315/400A	1319482	1
QSA400	3	✓			1
QSA630	3	✓	QSANS400/630/800A	1319662	1
QSA800	3	✓			1

Fused switch-disconnectors, 40 A to 800 A, 690 V a.c.

QSA Fused switch-disconnector

Accessories

Auxiliary contact set

Auxiliary contact 1 NO + 1 NC



6028293

QSA Type	Frame size	DIN/BS	Part number	Article number	Pack qty
QSA40N0	0	✓			1
QSA63N0	0	✓			1
QSA63N1	1	✓			1
QSA100N1	1	✓			1
QSA125N1	1	✓			1
QSA160N1	1	✓	AUX1NO+1NC-BOX012	6028293	1
QSA200N	2	✓			1
QSA250N	2	✓			1
QSA315N	2	✓			1
QSA400N	2	✓			1
QSA400	3	✓			1
QSA630	3	✓	AUX1NO+1NC-BOX3	6101137	1
QSA800	3	✓	AUXADAPTERDMV/QSA / 6098593	6098593	1

Replacement adaptors available Part number

1-pole transparent terminal covers

Terminal cover for cable lugs on connection terminals

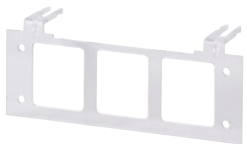


1319411

QSA Type	Frame size	DIN	BS	Number of poles	Bolt Type	Part number	Article number	Pack qty
QSA40N0	0	✓	✓	1P	M6			1
QSA63N0	0	✓	✓	1P	M6			1
QSA100N1	1	✓	✓	1P	M6	QSACOVER1PM6	1319409	1
QSA125N1	1	✓	✓	1P	M6			1
QSA160N1	1	✓	✓	1P	M8			1
QSA200N (BS)	2		✓	1P	M8	QSACOVER1PM8	1319411	1
QSA200N (DIN)	2	✓		1P	M10			1
QSA250N	2	✓	✓	1P	M10			1
QSA315N	2	✓	✓	1P	M10	QSACOVER1PM10	1319413	1
QSA400N	2	✓	✓	1P	M10			1
QSA400	3	✓	✓	1P	M12			1
QSA630	3	✓	✓	1P	M12	QSACOVER1PM12	1319415	1
QSA800	3	✓	✓	1P	M12			1

3-pole transparent terminal covers

For cable lugs on connection terminals, suitable for QSA fused switch-disconnector frame sizes 0, 1 and 2.



1319432

QSA Type	Frame size	DIN/BS	Number of poles	Part number	Article number	Pack qty
QSA40N0	0	✓	3P			1
QSA63N0	0	✓	3P	QSATCOVERBOX0	1320239	1
QSA63N1	1	✓	3P			1
QSA100N1	1	✓	3P			1
QSA125N1	1	✓	3P	QSATCOVERBOX1	1319432	1
QSA160N1	1	✓	3P			1
QSA200N	2	✓	3P			1
QSA250N	2	✓	3P			1
QSA315N	2	✓	3P	QSATCOVERBOX2	1319418	1
QSA400N	2	✓	3P			1

Accessories

Transparent front cover

Used to shield live parts at the front of the QSA fused switch-disconnector



1319426

QSA Type	Frame size	DIN	BS	Part number	Article number	Pack qty
QSA40N0	0	✓	✓	QSAFCOVER40N0-63N0	1320237	1
QSA63N0	0	✓	✓			1
QSA63N1	1	✓	✓	QSAFCOVER63N1-125N1	1319435	1
QSA100N1 (DIN)	1	✓				1
QSA125N1 (DIN)	1	✓				1
QSA160N1 (DIN)	1	✓				1
QSA100N1 (BS)	1		✓	QSAFCOVER160N1-A4/3	1319423	1
QSA125N1 (BS)	1		✓			1
QSA160N1 (BS)	1		✓			1
QSA200N	2	✓	✓	QSAFCOVER160N-400N	1319429	1
QSA250N	2	✓	✓			1
QSA315N	2	✓	✓			1
QSA400N	2	✓	✓			1
QSA400	3	✓	✓			1
QSA630	3	✓	✓	QSAFCOVER400-800	1319426	1
QSA800	3	✓	✓			1

1-pole rear cover

Used to shield live parts at the back of the QSA fused switch-disconnector



1319439

QSA Type	Frame size	DIN	BS	Number of poles	Part number	Article number	Pack qty
QSA63N1	1	✓	✓	1P	QSARCOVER1P63-160	1319439	1
QSA100N1 (BS)	1		✓	1P			1
QSA125N1	1	✓	✓	1P			1
QSA160N1	1	✓	✓	1P			1
QSA200N	2	✓	✓	1P	QSARCOVER1P160-400	1319441	1
QSA250N	2	✓	✓	1P			1
QSA315N	2	✓	✓	1P			1
QSA400N	2	✓	✓	1P			1

Rear cover for QSA frame size 3 only

Used to shield live parts at the back of the QSA fused switch-disconnector frame size 3



1319417

QSA Type	Frame size	DIN	BS	Number of poles	Part number	Article number	Pack qty
QSA400	3	✓	✓	1P	QSARCOVER400-800-C3/3	1319417	1
QSA630	3	✓	✓	1P			1
QSA800	3 (BS)		✓	1P			1

Fused switch-disconnectors, 40 A to 800 A, 690 V a.c.

QSA Fused switch-disconnector

Accessories

Coupling links for extension of universal shafts



1319833



1319336

QSA Type	Frame size	DIN/BS	Shaft mm□	Part number	Article number	Pack qty
QSA40N0	0	✓	6 x 6	COUP6X6MM	1319833	1
QSA63N0	0	✓	6 x 6			1
QSA63N1	1	✓	8 x 8	COUP8X8MM	1319332	1
QSA100N1	1	✓	8 x 8			1
QSA125N1	1	✓	8 x 8			1
QSA160N1	1	✓	8 x 8			1
QSA200N	2	✓	10 x 10	COUP10X10MM	1319334	1
QSA250N	2	✓	10 x 10			1
QSA315N	2	✓	10 x 10			1
QSA400N	2	✓	10 x 10			1
QSA400	3	✓	12 x 12			1
QSA630	3	✓	12 x 12	COUP12X12MM	1319336	1
QSA800	3	✓	12 x 12			1

Coupling links for converting shafts sizes



1319398

Shaft mm□	Part number	Article number	Pack qty
From 10 x 10 mm to 12 x 12 mm	4K10/4K12	1319398	1
From 12 x 12 mm to 14 x 14 mm	4K12/4K14	1318685	1

Technical data

QSA 40 - 63 A, DIN or BS fuse links, frame size 0

		QSA 40N0	QSA 63N0		
Conventional free air thermal current	I_{th}	40 A	63 A		
Conventional enclosed thermal current	I_{the}	40 A	63 A		
Rated uninterrupted current	I_u	40 A	63 A		
Rated operational voltage	U_e	690 V	690 V		
Rated insulation voltage	U_i	800 V	800 V		
Rated impulse withstand voltage	U_{imp}	8 kV 6 kV with switched neutral	8 kV 6 kV with switched neutral		
Rated frequency		50 Hz	50 Hz		
Storage temperature		-30°C...+80°C	-30°C...+80°C		
Rated operational current					
AC-21A					
At $U_e = 415$ V AC-21A	I_e	40 A	63 A		
At $U_e = 500$ V AC-21A	I_e	40 A	63 A		
At $U_e = 690$ V AC-21A	I_e	40 A	63 A		
AC-22A					
At $U_e = 415$ V AC-22A	I_e	40 A	63 A		
At $U_e = 500$ V AC-22A	I_e	40 A	63 A		
At $U_e = 690$ V AC-22A	I_e	40 A	63 A		
AC-23A					
At $U_e = 415$ V AC-23A	I_e	40 A	63 A		
At $U_e = 500$ V AC-23A	I_e	40 A	63 A		
At $U_e = 690$ V AC-23A	I_e	40 A	63 A		
Rated operational power					
At $U_e = 415$ V AC-23A		22 kW	30 kW		
At $U_e = 500$ V AC-23A		25 kW	45 kW		
At $U_e = 690$ V AC-23A		37 kW	59 kW		
Rated conditional short-circuit current	$I_p(I_q)$	690 V: 50 kA	415 V: 100 kA	690 V: 50 kA	415 V: 100 kA
Cut-off current	max.	690 V: 14.5 kA	440 V: 11 kA	690 V: 14.5 kA	440 V: 11 kA
Joule integral	max.	690 V: 140 kA ² s	440 V: 18.4 kA ² s	690 V: 140 kA ² s	440 V: 18.4 kA ² s
Fuse-link max	I_n	690 V: 125 A	440 V: 63 A	690 V: 125 A	440 V: 63 A
Compatible fuse links		NH 000, NH 00 and BS Ref A3		NH 000, NH 00 and BS Ref A3	
Power dissipation per pole	P	1.5 W		2.3 W	
Pollution degree		III/3		III/3	
Protection class		IP00 without terminal cover IP20 with terminal cover			
Standards		EN-IEC 60947-3, EAC			
Certification		KEMA-KEUR, Lloyd's Register			

Fused switch-disconnectors, 40 A to 800 A, 690 V a.c.

QSA Fused switch-disconnector

Technical data

QSA 63 - 160 A, DIN or BS fuse links, frame size 1

		QSA 63N1	QSA 100N1	QSA 125N1	QSA 160N1
Conventional free air thermal current	I_{th}	63 A	100 A	125 A	160 A
Conventional enclosed thermal current	I_{the}	63 A	100 A	125 A	160 A
Rated uninterrupted current	I_u	63 A	100 A	125 A	160 A
Rated operational voltage	U_e	690 V	690 V	690 V	690 V
Rated insulation voltage	U_i	1000 V	1000 V	1000 V	1000 V
Rated impulse withstand voltage	U_{imp}	8 kV 6 kV with switched neutral	8 kV 6 kV with switched neutral	8 kV 6 kV with switched neutral	8 kV 6 kV with switched neutral
Rated frequency		50 Hz	50 Hz	50 Hz	50 Hz
Storage temperature		-30°C...+80°C	-30°C...+80°C	-30°C...+80°C	-30°C...+80°C
Mechanical lifespan	Operations	20,000	20,000	20,000	20,000
Rated operational current					
AC-21A					
At $U_e = 415$ V AC-21A	I_e	63 A	100 A	125 A	160 A
At $U_e = 500$ V AC-21A	I_e	63 A	100 A	125 A	160 A
At $U_e = 690$ V AC-21A	I_e	63 A	100 A	125 A	160 A
AC-22A					
At $U_e = 415$ V AC-22A	I_e	63 A	100 A	125 A	160 A
At $U_e = 500$ V AC-22A	I_e	63 A	100 A	125 A	160 A
At $U_e = 690$ V AC-22A	I_e	63 A	100 A	125 A	160 A
AC-23A					
At $U_e = 415$ V AC-23A	I_e	63 A	100 A	125 A	160 A
At $U_e = 500$ V AC-23A	I_e	63 A	100 A	125 A	160 A
At $U_e = 690$ V AC-23A	I_e	63 A	100 A	125 A	160 A
Rated operational power					
At $U_e = 415$ V AC-23A		30 kW	55 kW	59 kW	90 kW
At $U_e = 500$ V AC-23A		45 kW	59 kW	80 kW	110 kW
At $U_e = 690$ V AC-23A		59 kW	90 kW	110 kW	147 kW
Rated conditional short-circuit current	$I_p (I_q)$	690 V: 50 kA 415 V: 100 kA	690 V: 50 kA 415 V: 100 kA	690 V: 50 kA 415 V: 100 kA	690 V: 50 kA 415 V: 100 kA
Cut-off current	max.	690 V: 27 kA 440 V: 23 kA	690 V: 27 kA 440 V: 23 kA	690 V: 27 kA 440 V: 23 kA	690 V: 27 kA 440 V: 23 kA
Joule integral	max.	690 V: 820 kA ² s 440 V: 143 kA ² s	690 V: 140 kA ² s 440 V: 18.4 kA ² s	690 V: 820 kA ² s 440 V: 143 kA ² s	690 V: 140 kA ² s 440 V: 18.4 kA ² s
Fuse-link max	I_n	690 V: 315 A 440 V: 160 A	690 V: 315 A 440 V: 160 A	690 V: 315 A 440 V: 160 A	690 V: 315 A 440 V: 160 A
Compatible fuse links		NH00 BS Ref A3	NH 00 BS Ref A4 max. \varnothing 30mm	NH 00 BS Ref B1 and B2	NH 00 BS ref B1
Power dissipation per pole	P	2 W	6 W	9 W	10 W
Pollution degree		III/3	III/3	III/3	III/3
Protection class		IP00 without terminal cover IP20 with terminal cover			
Standards		EN-IEC 60947-3, EAC			
Certification		KEMA-KEUR, Lloyd's Register			

Technical data

QSA 200 - 400 A, DIN or BS fuse links, frame size 2

		QSA 200N	QSA 250N	QSA 315N	QSA 400N
Conventional free air thermal current	I_{th}	200 A	250 A	315 A	400 A
Conventional enclosed thermal current	I_{the}	200 A	250 A	315 A	355 A*
Rated uninterrupted current	I_u	200 A	250 A	315 A	355 A / 400 A
Rated operational voltage	U_e	690 V	690 V	690 V	690 V
Rated insulation voltage	U_i	1000 V	1000 V	1000 V	1000 V
Rated impulse withstand voltage	U_{imp}	12 kV 8 kV with neutral	12 kV 8 kV with neutral	12 kV 8 kV with neutral	12 kV 8 kV with neutral
Rated frequency		50 Hz	50 Hz	50 Hz	50 Hz
Storage temperature		-30°C...+80°C	-30°C...+80°C	-30°C...+80°C	-30°C...+80°C
Mechanical lifespan	Operations	16,000	16,000	16,000	16,000
Rated operational current					
AC-21A					
At $U_e = 415$ V AC-21A	I_e	200 A	250 A	315 A	400 A
At $U_e = 500$ V AC-21A	I_e	200 A	250 A	315 A	400 A
At $U_e = 690$ V AC-21A	I_e	200 A	250 A	315 A	400 A
AC-22A					
At $U_e = 415$ V AC-22A	I_e	200 A	250 A	315 A	400 A
At $U_e = 500$ V AC-22A	I_e	200 A	250 A	315 A	400 A
At $U_e = 690$ V AC-22A	I_e	200 A	250 A	315 A	400 A
AC-23A					
At $U_e = 415$ V AC-23A	I_e	200 A	250 A	315 A	400 A
At $U_e = 500$ V AC-23A	I_e	200 A	250 A	315 A	400 A
At $U_e = 690$ V AC-23A	I_e	200 A	250 A	315 A	400 A
Rated operational power					
At $U_e = 415$ V AC-23A		110 kW	147 kW	184 kW	220 kW
At $U_e = 500$ V AC-23A		140 kW	160 kW	220 kW	257 kW
At $U_e = 690$ V AC-23A		184 kW	220 kW	295 kW	375 kW
Rated conditional short-circuit current	$I_p (I_q)$	690 V: 50 kA 415 V: 100 kA	690 V: 50 kA 415 V: 100 kA	690 V: 50 kA 415 V: 100 kA	690 V: 50 kA 415 V: 100 kA
Cut-off current	max.	690 V: 57 kA 440 V: 43 kA	690 V: 57 kA 440 V: 43 kA	690 V: 57 kA 440 V: 43 kA	690 V: 57 kA 440 V: 43 kA
Joule integral	max.	690 V: 13000 kA ² s 440 V: 986 kA ² s	690 V: 13000 kA ² s 440 V: 986 kA ² s	690 V: 13000 kA ² s 440 V: 986 kA ² s	690 V: 13000 kA ² s 440 V: 986 kA ² s
Fuse-link max	I_n	690 V: 630 A 440 V: 400 A	690 V: 630 A 440 V: 400 A	690 V: 630 A 440 V: 400 A	690 V: 630 A 440 V: 400 A
Compatible fuse links		NH 1 and NH 2 BS Ref B1 and B2	NH 1 and NH 2 BS Ref B1 to B4	NH 1 and 2 BS Ref B1 to B4	NH 1 and 2 BS Ref B1 to B4
Power dissipation per pole	P	10 W	12 W	18 W	28 W
Pollution degree		III/3	III/3	III/3	III/3
Protection class		IP00 without terminal cover IP20 with terminal cover			
Standards		EN-IEC 60947-3, EAC			
Certification		KEMA-KEUR, Lloyd's Register			

* 400 A thermal current rating only applicable when utilised in a ventilated enclosure

Fused switch-disconnectors, 40 A to 800 A, 690 V a.c.

QSA Fused switch-disconnector

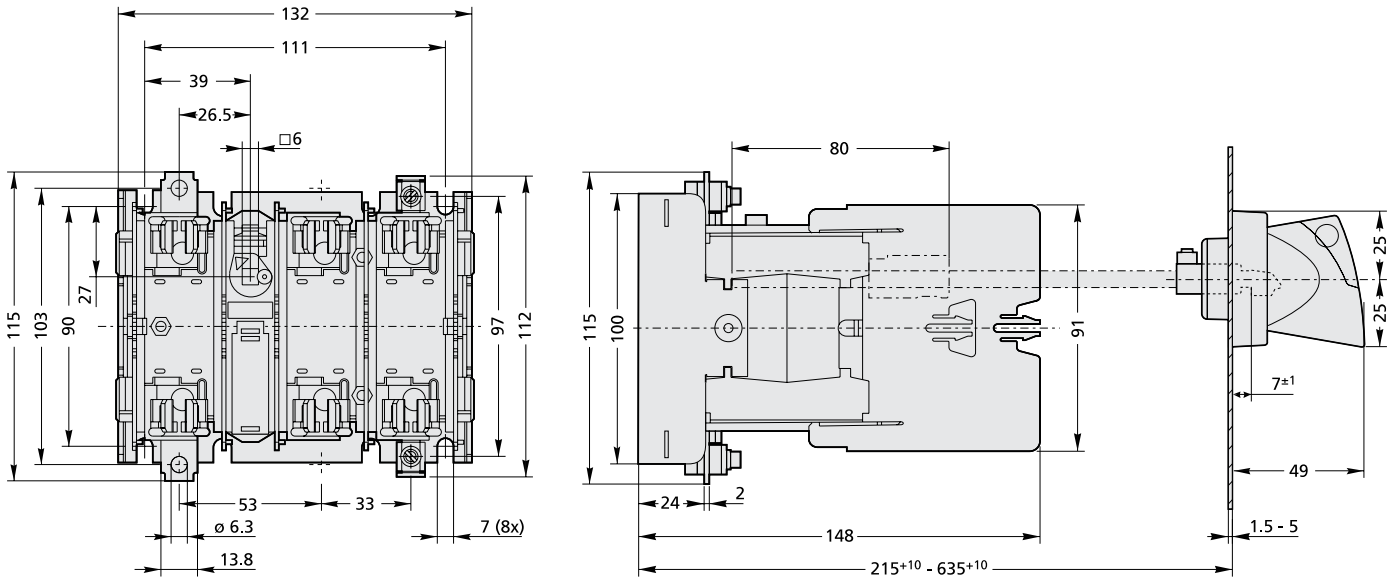
Technical data

QSA 400 - 800 A, DIN or BS fuse links, frame size 3

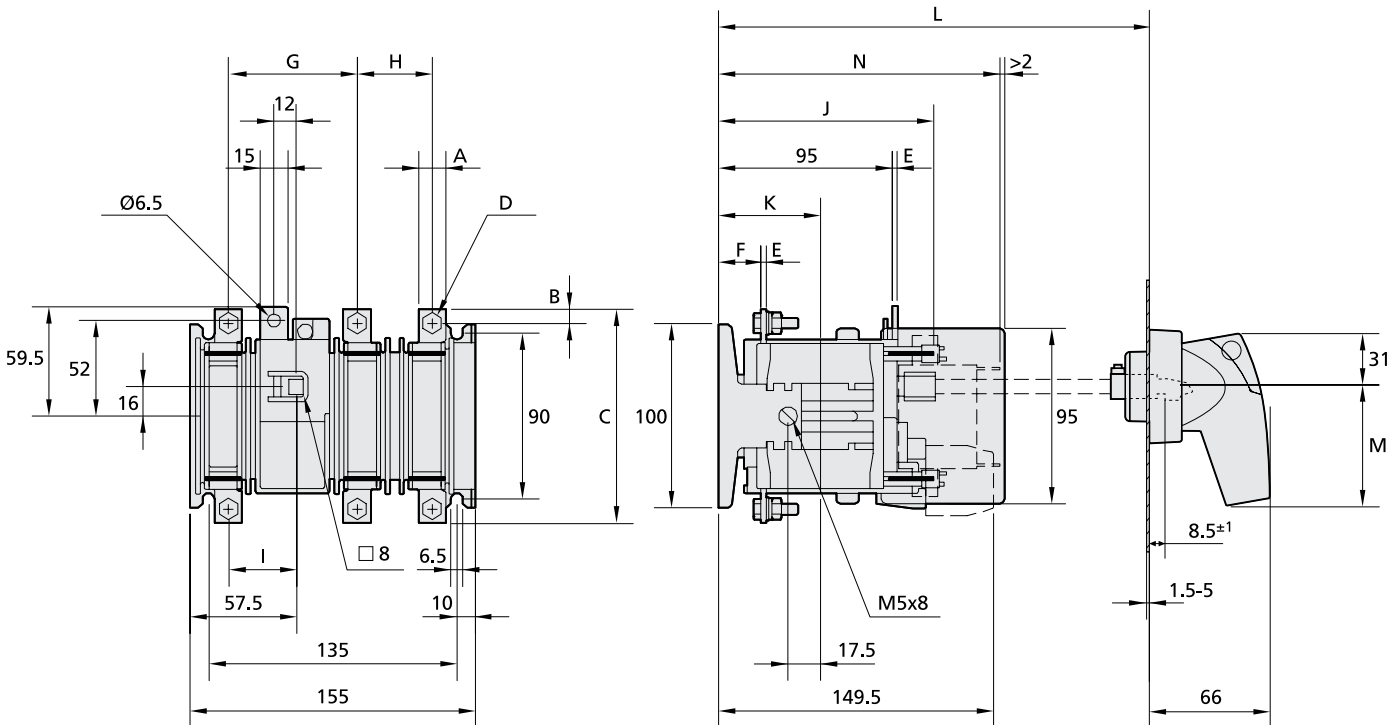
		QSA 400	QSA 630	QSA 800
Conventional free air thermal current	I_{th}	400 A	630 A	800 A
Conventional enclosed thermal current	I_{the}	400 A	630 A	800 A
Rated uninterrupted current	I_u	400 A	630 A	800 A
Rated operational voltage	U_e	690 V	690 V	690 V
Rated insulation voltage	U_i	1000 V	1000 V	1000 V
Rated impulse withstand voltage	U_{imp}	12 kV	12 kV	12 kV
Rated impulse withstand voltage	U_{imp}	12 kV 8 kV with neutral	12 kV 8 kV with neutral	12 kV 8 kV with neutral
Rated frequency		50 Hz	50 Hz	50 Hz
Storage temperature		-30°C ... +80°C	-30°C ... +80°C	-30°C ... +80°C
Mechanical lifespan	Operations	10,000	10,000	10,000
Rated operational current				
AC-21A				
At $U_e = 415$ V AC-21A	I_e	400 A	630 A	800 A
At $U_e = 500$ V AC-21A	I_e	400 A	630 A	800 A
At $U_e = 690$ V AC-21A	I_e	400 A	630 A	800 A
AC-22A				
At $U_e = 415$ V AC-22A	I_e	400 A	630 A	800 A
At $U_e = 500$ V AC-22A	I_e	400 A	630 A	800 A
At $U_e = 690$ V AC-22A	I_e	400 A	630 A	800 A
AC-23A				
At $U_e = 415$ V AC-23A	I_e	400 A	630 A	800 A
At $U_e = 500$ V AC-23A	I_e	400 A	630 A	800 A
At $U_e = 690$ V AC-23A	I_e	400 A	630 A	800 A
Rated operational power				
At $U_e = 415$ V AC-23A		220 kW	375 kW	500 kW
At $U_e = 500$ V AC-23A		220 kW	375 kW	500 kW
At $U_e = 690$ V AC-23A		220 kW	375 kW	500 kW
Rated conditional short-circuit current	$I_p (I_q)$	690 V: 50 kA 415 V: 100 kA	690 V: 50 kA 415 V: 100 kA	690 V: 50 kA 415 V: 100 kA
Cut-off current	max.	690 V: 64 kA 440 V: 62.5 kA	690 V: 64 kA 440 V: 62.5 kA	690 V: 64 kA 440 V: 62.5 kA
Joule integral	max.	690 V: 13000 kA ² s 440 V: 3700 kA ² s	690 V: 13000 kA ² s 440 V: 3700 kA ² s	690 V: 13000 kA ² s 440 V: 3700 kA ² s
Fuse-link max	I_n	690 V: 800 A 440 V: 630 A	690 V: 800 A 440 V: 630 A	690 V: 800 A 440 V: 630 A
Compatible fuse links		NH 3 BS Ref C1 and C3	NH 3 BS Ref C1 and C3	NH 3 BS Ref C1 and C3
Power dissipation per pole	P	28 W	28 W	58 W
Pollution degree		III/3	III/3	III/3
Protection class		IP00 without terminal cover IP20 with terminal cover		
Standards		EN-IEC 60947-3, EAC		
Certification		KEMA-KEUR, Lloyd's Register		

Outline drawings

DIN QSA 40 A and 63 A - Frame size 0 - mm



DIN QSA 63 A to 160 A - Frame size 1 - mm



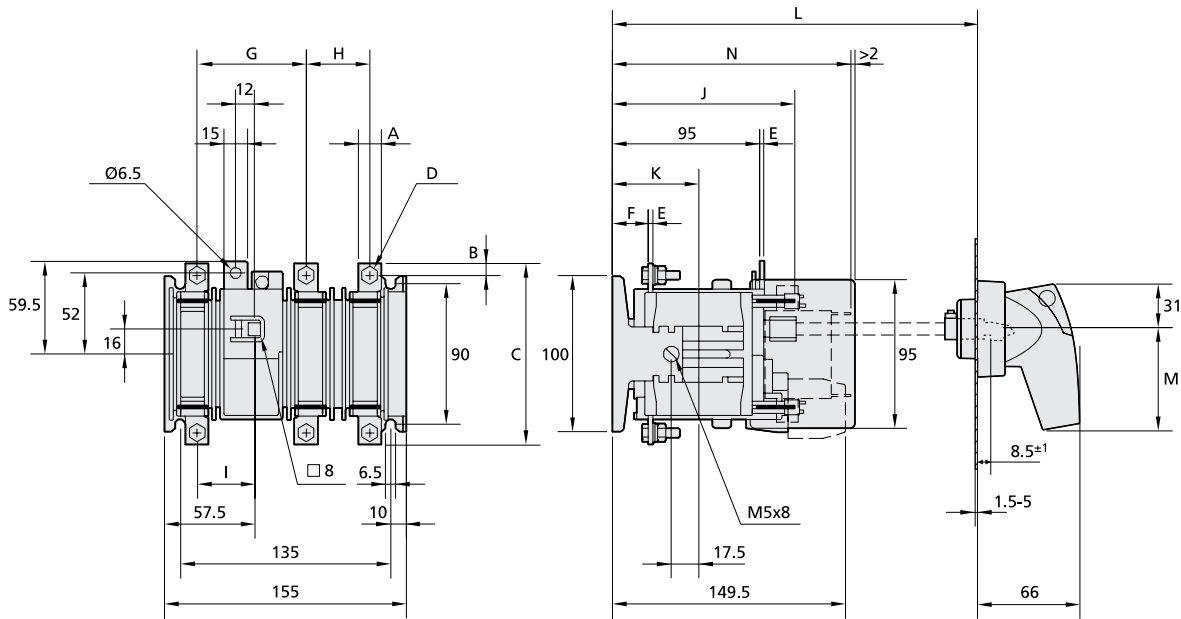
Type	A	B	C	D	E	F	G	H	I	J	K	L	M	N
QSA 63N1-00	12	6	100	M5	2	24	72	38.5	38	118	55.5	200 ⁺¹⁰ - 620 ⁺¹⁰	62	155.5
QSA 100N1-00	15	7.5	116	M6	3	23	70	40.5	37	118	55.5	200 ⁺¹⁰ - 620 ⁺¹⁰	62	155.5
QSA 125N1-00	15	7.5	116	M8	3	23	70	40.5	37	118	55.5	200 ⁺¹⁰ - 620 ⁺¹⁰	62	155.5
QSA 160N1-00	20	10	127	M8	3	23	65	45.5	35	118	55.5	200 ⁺¹⁰ - 620 ⁺¹⁰	62	163

Fused switch-disconnectors, 40 A to 800 A, 690 V a.c.

QSA Fused switch-disconnector

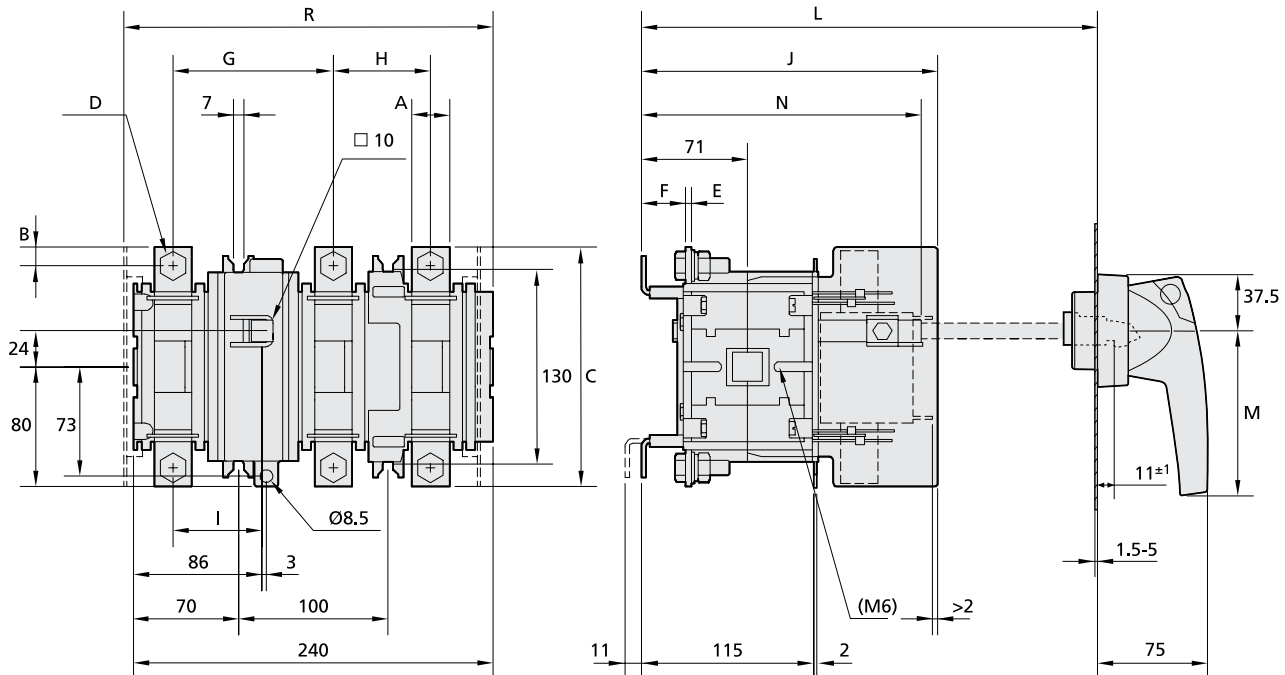
Outline drawings

DIN QSA 200 A to 400 A - Frame size 2 - mm



Type	A	B	C	D	E	F	G	H	I	J	K	L	M	N	R
QSA 200N-2	25	12.5	160	M10	4	29	107	65	59.5	198	160	205 ⁺¹⁰ - 625 ⁺¹⁰	140	188	246.5
QSA 250N-2	25	12.5	160	M10	4	29	107	65	59.5	198	160	205 ⁺¹⁰ - 625 ⁺¹⁰	140	188	246.5
QSA 315N-2	25	12.5	160	M10	6	27	107	65	59.5	198	160	205 ⁺¹⁰ - 625 ⁺¹⁰	140	188	246.5
QSA 400N-2	25	12.5	160	M10	6	27	107	65	59.5	198	160	205 ⁺¹⁰ - 625 ⁺¹⁰	140	188	246.5

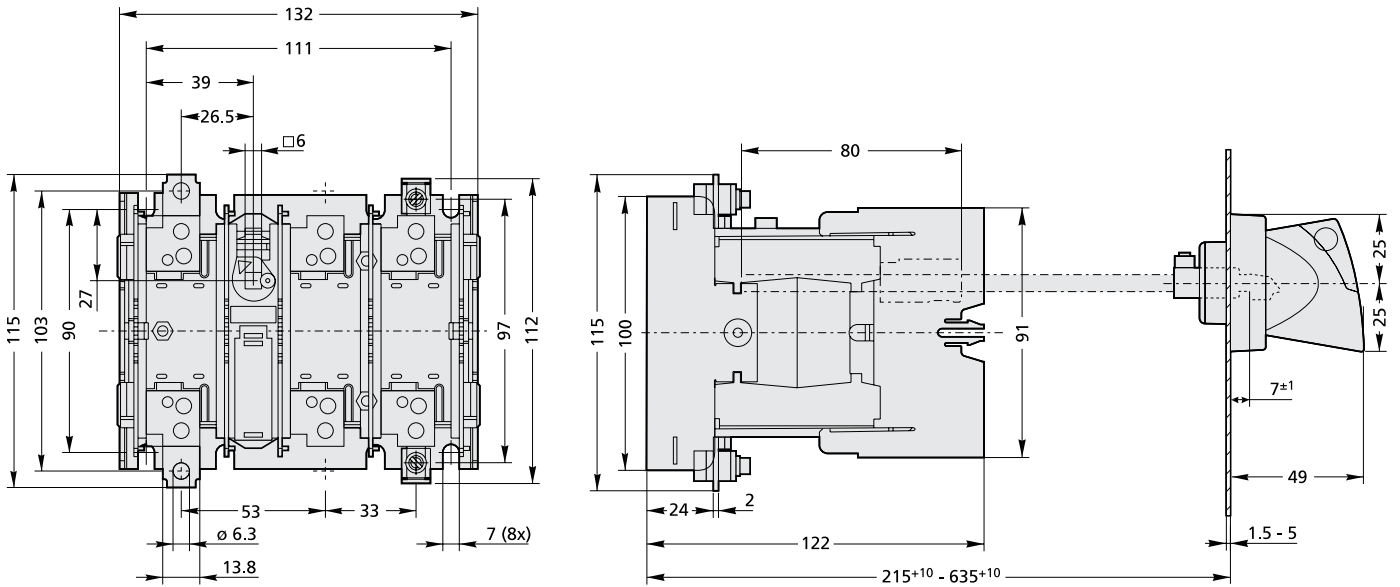
DIN QSA 400 A and 630 A - Frame size 3 - mm



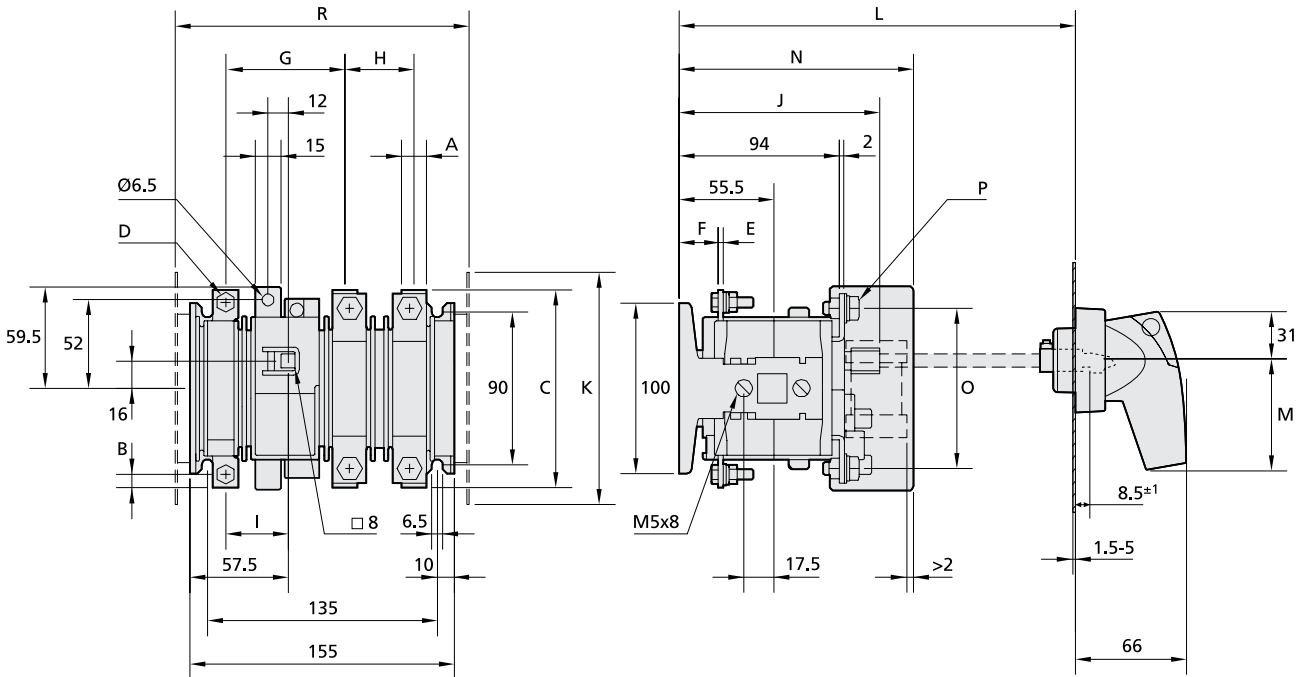
Type	A	B	C	D	E	F	G	H	I	J	K	L	M	N
QSA 400-3	40	20	270	M12	6	23	87	87	60	173	205	320 ⁺¹⁰ - 620 ⁺¹⁰	200	240
QSA 630-3	40	20	270	M12	6	23	87	87	60	173	205	320 ⁺¹⁰ - 620 ⁺¹⁰	200	240

Outline drawings

BS QSA 40 A and 63 A - Frame size 0 - mm



BS QSA 63 A to 160 A - Frame size 1 - mm



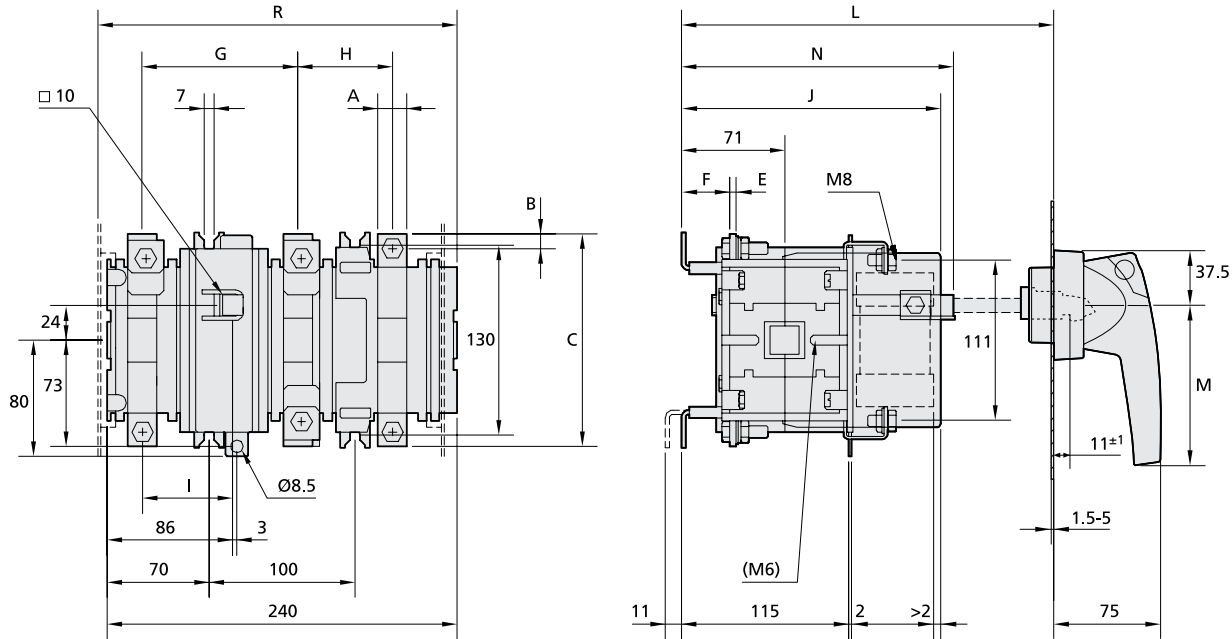
Type	A	B	C	D	E	F	G	H	I	J	K	L	M	N	O	P	R
QSA 63N1-A3	12	6	100	M5	2	24	72	38.5	38	118	95	200 ⁺¹⁰ - 620 ⁺¹⁰	62	155.5	73	M5	-
QSA 100N1-A4	15	7.5	116	M6	3	23	70	40.5	37	118	120	200 ⁺¹⁰ - 620 ⁺¹⁰	62	137.5	94	M8	-
QSA 125N1-B2	15	7.5	116	M6	3	23	70	40.5	37	118	150	200 ⁺¹⁰ - 620 ⁺¹⁰	62	137.5	112	M8	184
QSA 160N1-B2	20	10	127	M8	3	23	65	45.5	35	118	150	200 ⁺¹⁰ - 620 ⁺¹⁰	62	137.5	112	M8	184

Fused switch-disconnectors, 40 A to 800 A, 690 V a.c.

QSA Fused switch-disconnector

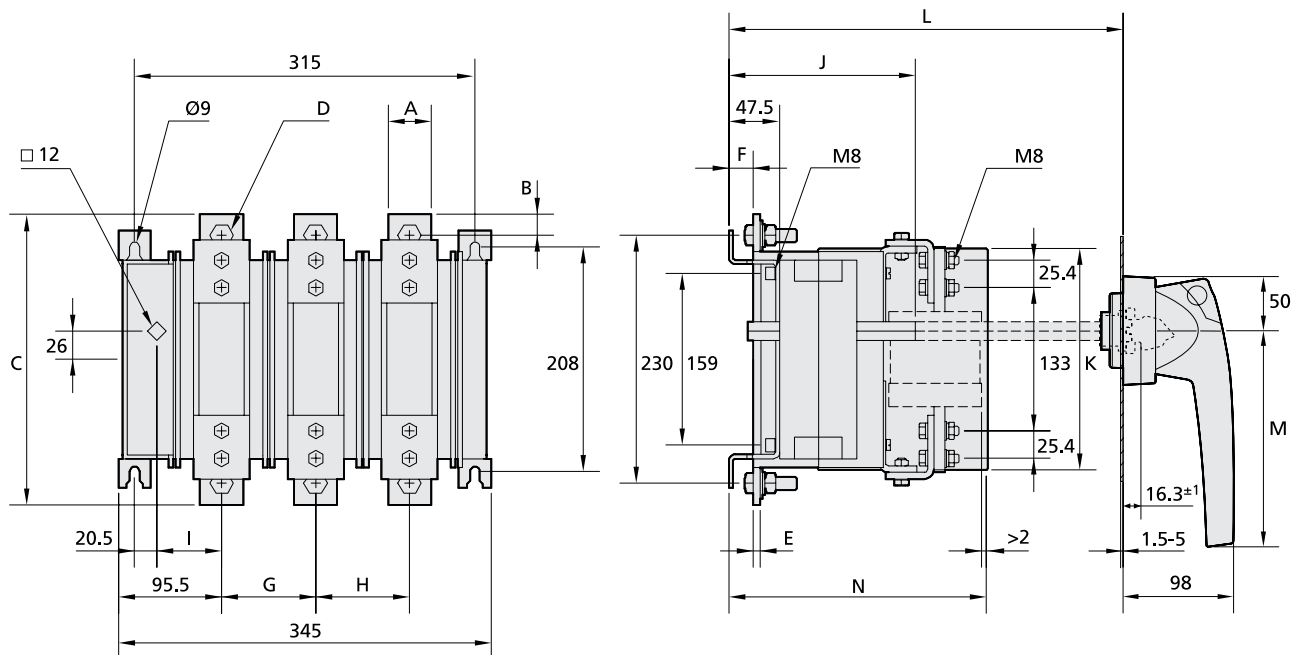
Outline drawings

BS QSA 200 A to 400 A - Frame size 2 - mm



Type	A	B	C	D	E	F	G	H	I	J	K	L	M	N	R
QSA 200N-B2	20	10	146	M8	4	33	107	65	62	188	120	205 ⁺¹⁵ - 625 ⁺¹⁵	140	178	-
QSA 250N-B4	25	12.5	160	M10	4	29	107	65	59.5	188	160	205 ⁺¹⁵ - 625 ⁺¹⁵	140	198	246.5
QSA 315N-B4	25	12.5	160	M10	6	27	107	65	59.5	188	160	205 ⁺¹⁵ - 625 ⁺¹⁵	140	198	246.5
QSA 400N-B4	25	12.5	160	M10	6	27	107	65	59.5	188	160	205 ⁺¹⁵ - 625 ⁺¹⁵	140	198	246.5

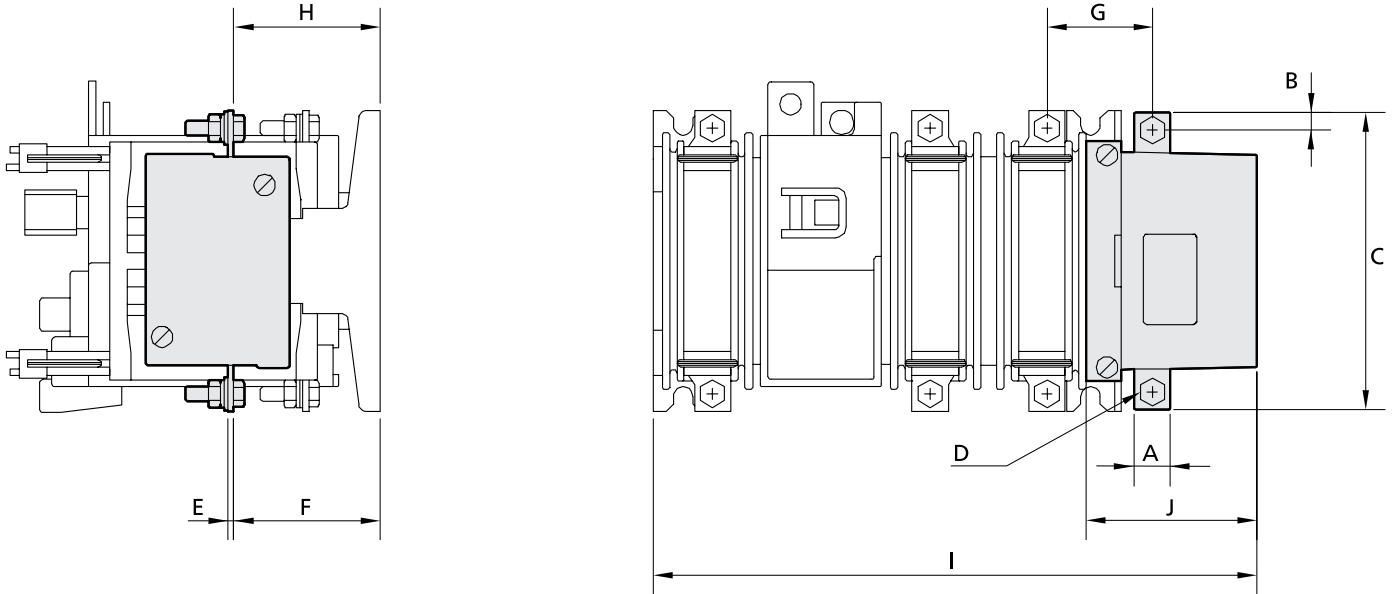
BS QSA 400 A to 800 A - Frame size 3 - mm



Type	A	B	C	D	E	F	G	H	I	J	K	L	M	N
QSA 400-C3/3	40	20	270	M12	6	23	87	87	60	173	205	320 ⁺¹⁰ - 620 ⁺¹⁰	200	240
QSA 630-C3/3	40	20	270	M12	6	23	87	87	60	173	205	320 ⁺¹⁰ - 620 ⁺¹⁰	200	240
QSA 800-C3/3	40	20	270	M12	6	23	87	87	60	173	205	320 ⁺¹⁰ - 620 ⁺¹⁰	200	240

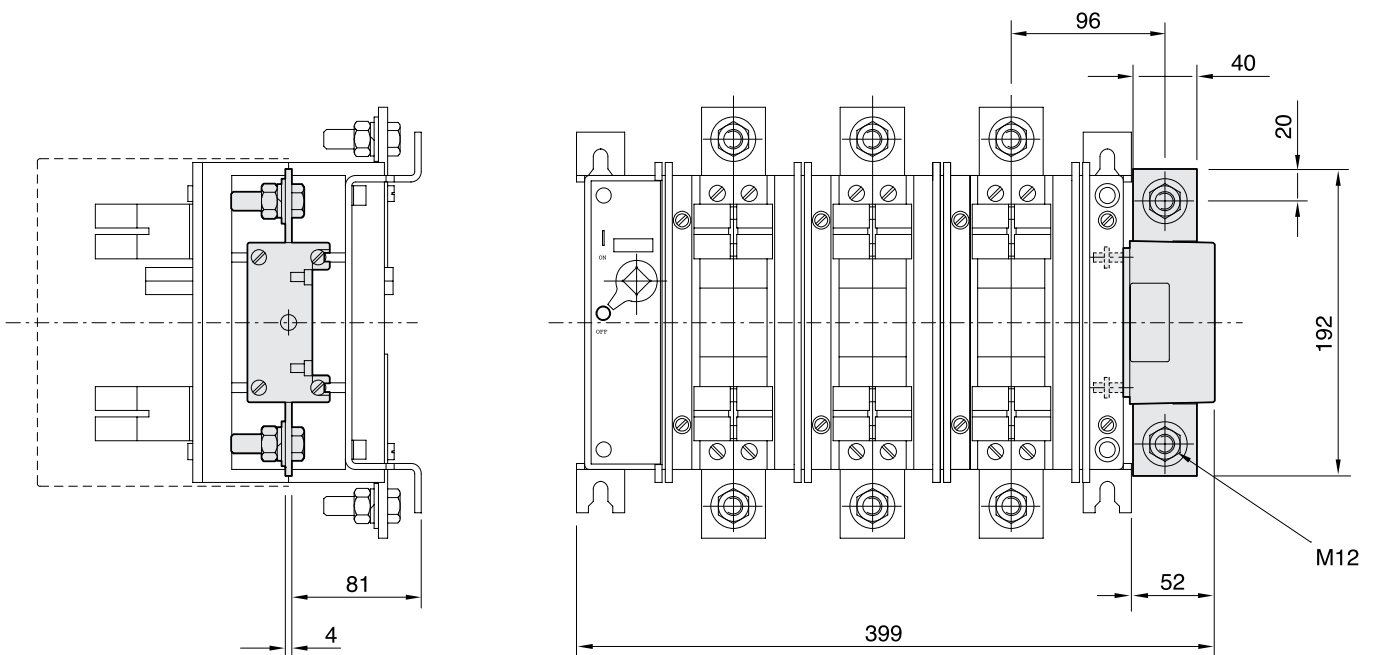
Outline drawings

BS or DIN QSA 40 A to 400 A with switched neutral - Frames sizes 0 to 2 - mm



Type	Frame size	A	B	C	D	E	F	G	H	I	J
QSA 40N0/QSA63N0	0	12	6	99	M5	4.5	48	35	45.5	177	45
QSA 63N1	1	12	6	99	M5	2	48.5	36	48.5	200	45
QSA 100N1	1	15	7.5	105	M6	4.5	48.5	33.5	46	200	45
QSA 125N1	1	15	7.5	105	M6	4.5	48.5	33.5	46	200	45
QSA 160N1	1	20	10	115	M8	4.5	48.5	32	46	200	45
QSA 200N	2	20	10	146	M8	4	69	53	69	299	53
QSA 250N	2	25	12.5	160	M10	4	69	55.5	69	299	53
QSA 315N	2	25	12.5	160	M10	4	69	55.5	69	299	53
QSA 400N	2	25	12.5	160	M10	4	69	55.5	69	299	53

BS or DIN QSA 400 A to 800 A with switched neutral - Frames size 3 - mm

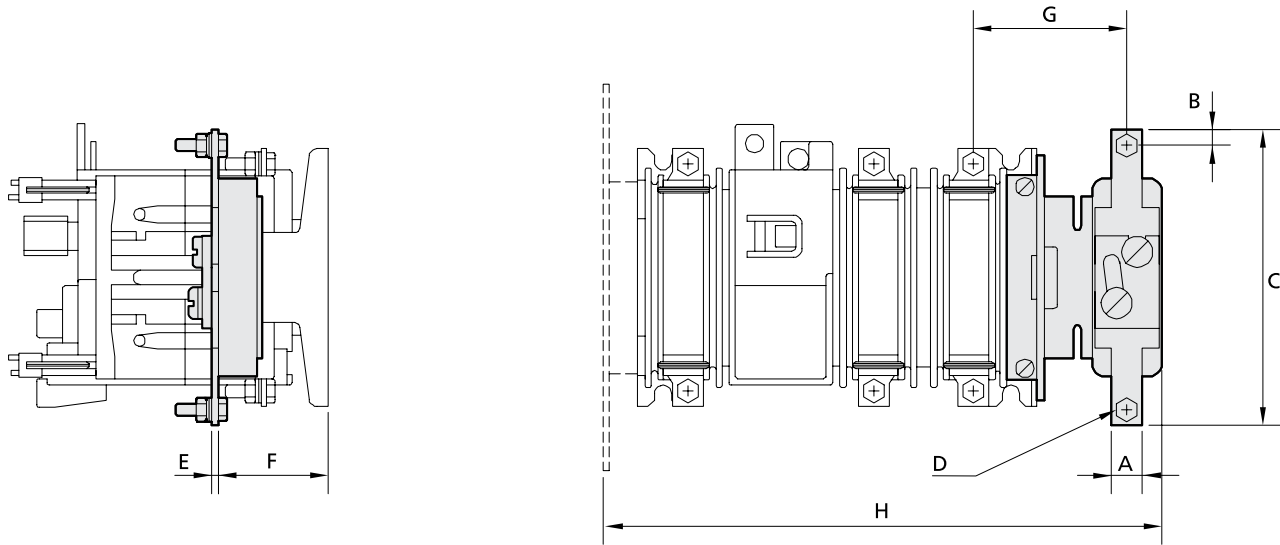


Fused switch-disconnectors, 40 A to 800 A, 690 V a.c.

QSA Fused switch-disconnector

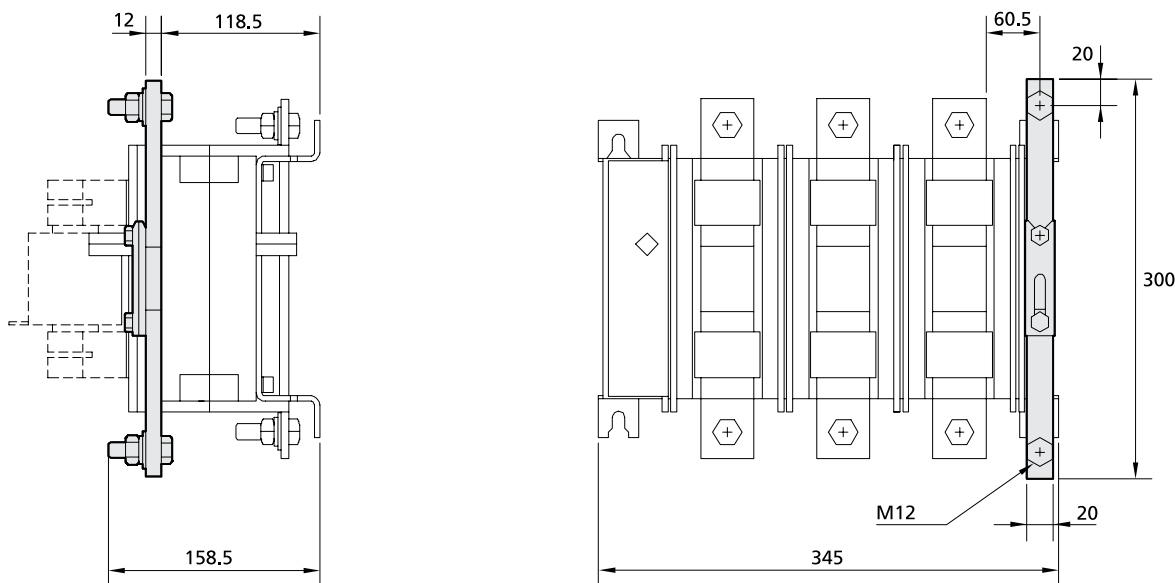
Outline drawings

BS or DIN QSA 40 A to 400 A with solid neutral - Frames sizes 0 to 2 - mm



Type	Frame size	A	B	C	D	E	F	G	H
QSA 40N0/QSA63N0	0	12	6	114	M5	2.5	44	55	177
QSA 63N1	1	12	6	114	M5	2.5	41.5	57	203
QSA 100N1	1	15	7.5	116.5	M6	3	41.5	56	203
QSA 125N1	1	15	7.5	116.5	M6	3	41.5	56	216
QSA 160N1	1	20	10	127	M8	3	41.5	54	216
QSA 200N	2	20	10	146	M8	4	70	79	296.5
QSA 250N	2	25	12.5	160	M10	4	70	76.5	296.5
QSA 315N	2	25	12.5	160	M10	4	70	76.5	296.5
QSA 400N	2	25	12.5	160	M10	4	70	76.5	296.5

BS or DIN QSA 400 A to 800 A with solid neutral - Frames size 3 - mm



Type	A	B	C	D	E	F	G	H	I
QSA 40N0/QSA63N0	20	20	300	M12	12	118.5	60.5	158.5	345
QSA 63N1	20	20	300	M12	12	118.5	60.5	158.5	345
QSA 100N1	20	20	300	M12	12	118.5	60.5	158.5	345

Compatible Eaton's Bussmann series Fuse links

NH Fuse links suitable for QSA DIN switch-disconnector

500 V a.c. NH with metal gripping lugs, 2 to 1250 A, sizes 000 to 4, IEC 60269 and DIN 43620



QSA DIN Article number	Compatible NH Fuse links						
	Part number	Size	Rated current (Amps)	Rated voltage	Pack qty	MOQ	
1318027, 1318030, 1318033, 1320201, 1320203, 1320205, 1320207, and 13138546	2NHG00B	000	2	500 V a.c.	3	3	
	4NHG00B	000	4	500 V a.c.	3	3	
	6NHG00B	000	6	500 V a.c.	3	3	
	10NHG00B	000	10	500 V a.c.	3	3	
	16NHG00B	000	16	500 V a.c.	3	3	
	20NHG00B	000	20	500 V a.c.	3	3	
	25NHG00B	000	25	500 V a.c.	3	3	
	32NHG00B	000	32	500 V a.c.	3	3	
	35NHG00B	000	35	500 V a.c.	3	3	
	40NHG00B	000	40	500 V a.c.	3	3	
1318027, 1318030, 1318033, 1320203, 1320207, and 13138546	50NHG00B	000	50	500 V a.c.	3	3	
	63NHG00B	000	63	500 V a.c.	3	3	
1318030, 1318033 and 1318546	80NHG00B	000	80	500 V a.c.	3	3	
	100NHG00B	000	100	500 V a.c.	3	3	
1318027, 1318030, 1318033, 1320203, 1320207, and 13138546	50NHG00B	00	50	500 V a.c.	3	3	
	63NHG00B	00	63	500 V a.c.	3	3	
1318546	80NHG00B	00	80	500 V a.c.	3	3	
	100NHG00B	00	100	500 V a.c.	3	3	
1318030	125NHG00B	00	125	500 V a.c.	3	3	
1318033	160NHG00B	00	160	500 V a.c.	3	3	
	50NHG1B	1	50	500 V a.c.	3	3	
	63NHG1B	1	63	500 V a.c.	3	3	
	80NHG1B	1	80	500 V a.c.	3	3	
	1318526, 1318533, 1318547 and 1318548	100NHG1B	1	100	500 V a.c.	3	3
		125NHG1B	1	125	500 V a.c.	3	3
		160NHG1B	1	160	500 V a.c.	3	3
		200NHG1B	1	200	500 V a.c.	3	3
	1318526, 1318533 and 1318548	224NHG1B	1	224	500 V a.c.	3	3
		250NHG1B	1	250	500 V a.c.	3	3
1318533 and 1318548	315NHG1B	1	315	440 V a.c.	3	3	
1318533	355NHG1B	1	355	440 V a.c.	3	3	
1318526, 1318533 and 1318548	250NHG2B	2	250	500 V a.c.	3	3	
	300NHG2B	2	300	500 V a.c.	3	3	
1318533 and 1318548	315NHG2B	2	315	500 V a.c.	3	3	
	355NHG2B	2	355	500 V a.c.	3	3	
1318533	400NHG2B	2	400	500 V a.c.	3	3	
	315NHG3B	3	315	500 V a.c.	3	3	
1318542 and 1318543 and 1318549	355NHG3B	3	355	500 V a.c.	3	3	
	400NHG3B	3	400	500 V a.c.	3	3	
	425NHG3B	3	425	500 V a.c.	3	3	
1318542, 1318543	450NHG3B	3	450	500 V a.c.	3	3	
	500NHG3B	3	500	500 V a.c.	3	3	
	630NHG3B	3	630	500 V a.c.	3	3	
1318543	800NHG3B	3	800	440 V a.c.	3	3	

Fused switch-disconnectors, 40 A to 800 A, 690 V a.c.

QSA Fused switch-disconnector

Compatible Eaton's Bussmann series Fuse links

NH Fuse links suitable for QSA DIN switch-disconnector

500 V a.c. NH with insulated metal gripping lugs, 2 to 500 A, sizes 000 to 2, IEC 60269 and DIN 43620



QSA DIN	Compatible NH Fuse links						
Article number	Part number	Size	Rated current (Amps)	Rated voltage	Pack qty	MOQ	
1318027, 1318030, 1318033, 1318201, 1318203, 1318205, 1318207 and 1318546	2NHG000BI	000	2	500 V a.c.	3	3	
	4NHG000BI	000	4	500 V a.c.	3	3	
	6NHG000BI	000	6	500 V a.c.	3	3	
	10NHG000BI	000	10	500 V a.c.	3	3	
	16NHG000BI	000	16	500 V a.c.	3	3	
	20NHG000BI	000	20	500 V a.c.	3	3	
	25NHG000BI	000	25	500 V a.c.	3	3	
	32NHG000BI	000	32	500 V a.c.	3	3	
	35NHG000BI	000	35	500 V a.c.	3	3	
	40NHG000BI	000	40	500 V a.c.	3	3	
1318027, 1318030, 1318033, 1318203, 1318207 and 1318546	50NHG000BI	000	50	500 V a.c.	3	3	
	63NHG000BI	000	63	500 V a.c.	3	3	
1318030, 1318033, 1318203, and 1318546	80NHG000BI	000	80	500 V a.c.	3	3	
	100NHG000BI	000	100	500 V a.c.	3	3	
1318030 and 1318033	125NHG00BI	00	125	500 V a.c.	3	3	
1318033	160NHG00BI	00	160	500 V a.c.	3	3	
	50NHG1BI	1	50	500 V a.c.	3	3	
	63NHG1BI	1	63	500 V a.c.	3	3	
	80NHG1BI	1	80	500 V a.c.	3	3	
	1318526, 1318533, 1318547 and 1318548	100NHG1BI	1	100	500 V a.c.	3	3
		125NHG1BI	1	125	500 V a.c.	3	3
		160NHG1BI	1	160	500 V a.c.	3	3
1318526, 1318533 and 1318548	200NHG1BI	1	200	500 V a.c.	3	3	
	224NHG1BI	1	224	500 V a.c.	3	3	
1318526, 1318533 and 1318548	250NHG1BI	1	250	500 V a.c.	3	3	
	250NHG2BI	2	250	500 V a.c.	3	3	
1318533 and 1318548	300NHG2BI	2	300	500 V a.c.	3	3	
	315NHG2BI	2	315	500 V a.c.	3	3	
1318533	355NHG2BI	2	355	500 V a.c.	3	3	
	400NHG2BI	2	400	500 V a.c.	3	3	

Compatible Eaton's Bussmann series Fuse links

British Standard fuse links suitable for QSA BS switch-disconnector

BAO, 35 to 63 A, 500 V a.c. (gG and gM)



QSA BS Switch-Disconnectors Article number	Fuse links Part number	BS Ref	Rated current (Amps)	Rated voltage	Fixing centres	Pack qty	MOQ
1318011, 1320200, 1320202, 1320204 and 1320206	BAO35	A3	35	500 V a.c.	73.5 mm	10	10
	BAO40	A3	40	500 V a.c.	73.5 mm	10	10
	BAO50	A3	50	500 V a.c.	73.5 mm	10	10
1318011, 1320202 and 1320206	BAO63	A3	63	500 V a.c.	73.5 mm	10	10
	BAO63M80	A3	63M80	500 V a.c.	73.5 mm	10	10
	BAO63M100	A3	63M100	500 V a.c.	73.5 mm	10	10

[Data sheet 4112](#)

TIS, 35 to 63 A, 660-690 V a.c. and 460 V d.c. (gG and gM)



QSA BS Switch-Disconnectors Article number	Fuse links Part number	BS Ref	Rated current (Amps)	Rated voltage	Fixing centres	Pack qty	MOQ
1318011, 1320200, 1320202, 1320204 and 1320206	TIS35	A3	35	660-690 V a.c. / 460 V d.c.	73 mm	10	10
	TIS40	A3	40	660-690 V a.c. / 460 V d.c.	73 mm	10	10
	TIS50	A3	50	660-690 V a.c. / 460 V d.c.	73 mm	10	10
1318011, 1320202 and 1320206	TIS63	A3	63	660-690 V a.c. / 460 V d.c.	73 mm	10	10
	TIS63M80	A3	63M80	660-690 V a.c. / 460 V d.c.	73 mm	10	10
	TIS63M100	A3	63M100	660-690 V a.c. / 460 V d.c.	73 mm	10	10

[Data sheet 10020](#)

CEO, 32 to 100 A, 500 V a.c. (gG) and 415 V a.c. (gM)



QSA BS Switch-Disconnectors Article number	Fuse links Part number	BS Ref	Rated current (Amps)	Rated voltage	Fixing centres	Pack qty	MOQ
1318016	CEO32	A4	32	500 V a.c.	94 mm	10	10
	CEO40	A4	40	500 V a.c.	94 mm	10	10
	CEO50	A4	50	500 V a.c.	94 mm	10	10
	CEO63	A4	63	500 V a.c.	94 mm	10	10
	CEO80	A4	80	500 V a.c.	94 mm	10	10
	CEO100	A4	100	500 V a.c.	94 mm	10	10
	CEO100M125	A4	100M125	415 V a.c.	94 mm	10	10
	CEO100M160	A4	100M160	415 V a.c.	94 mm	10	10
	CEO100M200	A4	100M200	415 V a.c.	94 mm	10	10

[Data sheet 4115](#)

TCP, 32 to 100 A, 660-690 V a.c. and 350-460 V d.c. (gG); 660-690 V a.c. and 350 V d.c. (gM)



QSA BS Switch-Disconnectors Article number	Fuse links Part number	BS Ref	Rated current (Amps)	Rated voltage	Fixing centres	Pack qty	MOQ
1318020	TCP32	A4	32	660-690 V a.c. / 460 V d.c.	93.7 mm	10	10
	TCP40	A4	40	660-690 V a.c. / 460 V d.c.	93.7 mm	10	10
	TCP50	A4	50	660-690 V a.c. / 460 V d.c.	93.7 mm	10	10
	TCP63	A4	63	660-690 V a.c. / 460 V d.c.	93.7 mm	10	10
	TCP80	A4	80	660-690 V a.c. / 350 V d.c.	93.7 mm	10	10
	TCP100	A4	100	660-690 V a.c. / 350 V d.c.	93.7 mm	10	10
	TCP100M125	A4	100M125	660-690 V a.c. / 350 V d.c.	93.7 mm	10	10
	TCP100M160	A4	100M160	660-690 V a.c. / 350 V d.c.	93.7 mm	10	10
	TCP100M200	A4	100M200	660-690 V a.c. / 350 V d.c.	93.7 mm	10	10

[Data sheet 10020](#)

Fused switch-disconnectors, 40 A to 800 A, 690 V a.c.

QSA Fused switch-disconnector

Compatible Eaton's Bussmann series Fuse links

British Standard fuse links suitable for QSA BS switch-disconnector

CD, 80 and 100 A, 500 V a.c. (gG) and 415 V a.c. (gM)



QSA BS Switch-Disconnectors Article number	Fuse links Part number	BS Ref	Rated current (Amps)	Rated voltage	Fixing centres	Pack qty	MOQ
1318020, 1318023, 1319065, 1319074, 1319095 and 1319103	CD80	B1	80	500 V a.c.	111 mm	10	10
	CD100	B1	100	500 V a.c.	111 mm	10	10
	CD100M125	B1	100M125	415 V a.c.	111 mm	10	10
	CD100M160	B1	100M160	415 V a.c.	111 mm	10	10
	CD100M200	B1	100M200	415 V a.c.	111 mm	10	10

[Data sheet 4116](#)

TC, 80 and 100 A, 660-690 V a.c. and 350 V d.c. (gG and gM)



QSA BS Switch-Disconnectors Article number	Fuse links Part number	BS Ref	Rated current (Amps)	Rated voltage	Fixing centres	Pack qty	MOQ
1318020, 1318023, 1319065, 1319074, 1319095 and 1319103	TC80	B1	80	660-690 V a.c. / 350 V d.c.	111 mm	10	10
	TC100	B1	100	660-690 V a.c. / 350 V d.c.	111 mm	10	10
	TC100M125	B1	100M125	660-690 V a.c. / 350 V d.c.	111 mm	10	10
	TC100M160	B1	100M160	660-690 V a.c. / 350 V d.c.	111 mm	10	10
	TC100M200	B1	100M200	660-690 V a.c. / 350 V d.c.	111 mm	10	10

[Data sheet 10078](#)

DD, 125 to 200 A, 415 V a.c. (gG and gM)



QSA BS Switch-Disconnectors Article number	Fuse links Part number	BS Ref	Rated current (Amps)	Rated voltage	Fixing centres	Pack qty	MOQ
1318020, 1318023, 1319065, 1319074, 1319095 and 1319103	DD125	B2	125	415 V a.c.	111 mm	5	5
	DD160	B2	160	415 V a.c.	111 mm	5	5
	DD200	B2	200	415 V a.c.	111 mm	5	5
	DD200M250	B2	200M250	415 V a.c.	111 mm	5	5
	DD200M315	B2	200M315	415 V a.c.	111 mm	5	5

[Data sheet 4118](#)

TF, 125 to 200 A, 660-690 V a.c. and 350 V d.c. (gG); 550-660-690 V a.c. and 460 V d.c. (gM)



QSA BS Switch-Disconnectors Article number	Fuse links Part number	BS Ref	Rated current (Amps)	Rated voltage	Fixing centres	Pack qty	MOQ
1318020, 1318023, 1319065, 1319074, 1319095 and 1319103	TF125	B2	125	660-690 V a.c., 350 V d.c.	111 mm	10	10
	TF160	B2	160	660-690 V a.c., 350 V d.c.	111 mm	10	10
	TF200	B2	200	660-690 V a.c., 350 V d.c.	111 mm	10	10
	TF200M250	B2	200M250	660-690 V a.c., 460 V d.c.	111 mm	10	10
	TF200M315	B2	200M315	550 V a.c.	111 mm	10	10

[Data sheet 10078](#)

ED, 250 to 400 A, 415 V a.c. (gG and gM)



QSA BS Switch-Disconnectors Article number	Fuse links Part number	BS Ref	Rated current (Amps)	Rated voltage	Fixing centres	Pack qty	MOQ
1319065, 1319074, 1319095 and 1319103	ED250	B3/B4	250	415 V a.c.	111 mm	1	1
	ED315	B3/B4	315	415 V a.c.	111 mm	1	1
	ED355	B3/B4	355	415 V a.c.	111 mm	1	1
	ED400	B3/B4	400	415 V a.c.	111 mm	1	1
	ED315M400	B3/B4	315M400	415 V a.c.	111 mm	1	1
	ED400M500	B3/B4	400M500	415 V a.c.	111 mm	1	1

[Data sheet 4119](#)

Compatible Eaton's Bussmann series Fuse links

British Standard fuse links suitable for QSA BS switch-disconnector

TKF, 250 and 315 A, 660-690 V a.c. and 460 V d.c. (gG and gM)



QSA BS Switch-Disconnectors Article number	Fuse links Part number	BS Ref	Rated current (Amps)	Rated voltage	Fixing centres	Pack qty	MOQ
1319065, 1319074, 1319095 and 1319103	TKF250	B3	250	660-690 V a.c./ 460 V d.c.	111 mm	5	5
	TKF315	B3	315	660-690 V a.c./ 460 V d.c.	111 mm	5	5
	TKF315M355	B3	315M355	660-690 V a.c./ 460 V d.c.	111 mm	5	5

[Data sheet 10078](#)

TMF, 355 and 400 A, 660-690 V a.c. and 460 V d.c. (gG and gM)



QSA BS Switch-Disconnectors Article number	Fuse links Part number	BS Ref	Rated current (Amps)	Rated voltage	Fixing centres	Pack qty	MOQ
1319065, 1319074, 1319095 and 1319103	TMF355	B4	355	660-690 V a.c. / 460 V d.c.	111 mm	1	1
	TMF400	B4	400	660-690 V a.c. / 460 V d.c.	111 mm	1	1
	TMF400M450	B4	400M450	660-690 V a.c. / 460 V d.c.	111 mm	1	1

[Data sheet 10078](#)

EF, 355 and 400 A, 415 V a.c. (gG) and 550 V a.c. (gM)



QSA BS Switch-Disconnectors Article number	Fuse links Part number	BS Ref	Rated current (Amps)	Rated voltage	Fixing centres	Pack qty	MOQ
1318537, 1318544 and 1319175	EF355	C1	355	415 V a.c.	184 mm	1	1
	EF400	C1	400	415 V a.c.	184 mm	1	1
	EF400M500	C1	400M500	550 V a.c.	184 mm	1	1

[Data sheet 4120](#)

FF, 450 to 630 A, 690 V a.c. and 400 V d.c. (gG)



QSA BS Switch-Disconnectors Article number	Fuse links Part number	Rated current (Amps)	Rated voltage	Fixing centres	Pack qty	MOQ
1318537, 1318544 and 1319175	FF450	450	690 V a.c./400V d.c.	185 mm	1	1
	FF500	500	690 V a.c./400V d.c.	185 mm	1	1
	FF560	560	690 V a.c./400V d.c.	185 mm	1	1
	FF630	630	690 V a.c./400V d.c.	185 mm	1	1

[Data sheet 4102](#)

TTM, 450 to 630 A, 660-690 V a.c. and 450 V d.c. (gG and gM)

QSA BS Switch-Disconnectors Article number	Fuse links Part number	Rated current (Amps)	Rated voltage	Fixing centres	Pack qty	MOQ
1318537, 1318544 and 1319175	TTM450	450	660-690 V a.c. / 450 V d.c.	133 mm	1	1
	TTM500	500	660-690 V a.c. / 450 V d.c.	133 mm	1	1
	TTM560	560	660-690 V a.c. / 450 V d.c.	133 mm	1	1
	TTM630	630	660-690 V a.c. / 450 V d.c.	133 mm	1	1
	TTM630M670	630M670	660-690 V a.c. / 450 V d.c.	133 mm	1	1

[Data sheet 10078](#)

GF, 710 and 800 A, 550 V a.c. and 250 V d.c. (gG)

QSA BS Switch-Disconnectors Article number	Fuse links Part number	BS Ref	Rated current (Amps)	Rated voltage	Fixing centres	Pack qty	MOQ
1318537, 1318544 and 1319175	GF710	C3	710	550 V a.c./ 250V d.c.	185 mm	1	1
	GF800	C3	800	550 V a.c./ 250V d.c.	185 mm	1	1

[Data sheet 4103](#)

All-around service for your machine control systems

Powering Business: For Eaton, this promise means more than just providing reliable products and technologies. It means using our support expertise and services to provide you with an engineering solution that is perfectly tailored to your own specific needs. Or, put more simply, turnkey solutions designed to drive your success.

Engineering for your machine control systems

From the initial idea to bringing your application to life – Eaton will accompany you through every step involved in developing your machine, providing unparalleled support all throughout. The Lean Solution expert's knowhow, combined with the innovation of Eaton products, ensures that you will be able to take advantage of our engineering edge to establish a solid competitive advantage on the market.

Eaton will not only help you select products, but will also provide advice concerning your machine's electrical and hydraulic design and be there for you every step of the way while you implement your applications and programs and commission your system. By combining these services with Eaton components, you can rest assured knowing that your needs will be fully met.

Enabling businesses to successfully export their products to North America

Our long business partnership with SAE Schaltanlagenbau Erfurt, which has the required certifications for building control panels for export to North America, enables us to provide our customers with solutions that are ideal for use in that region. In addition to our products and to the production of control panels built in accordance with UL 508A and NFPA 79, Eaton's and SAE's range of services includes workshops designed to provide the special knowhow required to successfully export electrical equipment to North America.



Fused switch-disconnector 25 A, 35 A and 50 A, 400 V a.c.

Pasco Fused switch-disconnector, 25 A, 35 A and 50 A, 400 V a.c.



Description

The Pasco fused switch-disconnector provide the ultimate safety in electrical protection for equipment and personnel. The 'D' Type low voltage fuse links fitted in the Pasco unit protect the equipment against overcurrents and the switch enables safe disconnection.

Standards/Approvals

- IEC 60947-3
- KEMA-KEUR

Technical data

- Voltage: 400 V ac.
- Current: 25 A, 35 A and 50 A
- 1-pole, 2-pole, 3-poles

Recommended fuse links

Eaton's Bussmann series D Type fuse links

Features

- Enclosure made of non-tracking synthetic material
- Suitable for horizontal DIN-Rail mounting
- Fuse-base contact is not live once the 'D' Type fuse link has been removed
- Semi-independent manual operating mechanism
- Terminals protected against accidental touch
- Fuse rating guide plate included
- Blown fuse LED indicator light
- Utilisation category: AC-21 A and AC-22 B

Fused switch-disconnector 25 A, 35 A and 50 A, 400 V a.c.

Pasco Fused switch-disconnector and Paco fuse holder

Pasco and Paco range overview

	Voltage (V a.c.)	25 A	35 A	50 A
Pasco fused switch-disconnector	230/400	✓	✓	✓
Paco fuse holder	230	✓		✓

Pasco fused switch-disconnector - Type LPC - 25 A , 35 A and 50 A, 230 and 400 V a.c.



1713612 1713616



1713618

Current (A)	Voltage (V a.c.)	Number of poles	Width (mm)	Part number	Article number	Pack qty	Compatible Eaton's Bussmann series D Type fuse links
25	230	1P + Neutral	36	LPC25-16AFUSE	1713610	1	16A fuse already included with unit
25	230	1P + Neutral	36	LPC25	1713612	1	DII fuse links
50	230	1P + Neutral	36	LPC50	1713613	1	DIII fuse links
25	230	2P + 2 Neutral	72	LPC25/2	1713616	1	DII fuse links
25	400	3P + Neutral	108	LPC25/3	1713617	1	DII fuse links
35	400	3P + Neutral	108	LPC35/3	1713618	1	DIII fuse links

Paco fuse holder - Type PHM - 25 A and 50 A, 230 V a.c.



1713614

Current (A)	Voltage (V a.c.)	Number of poles	Width (mm)	Part number	Article number	Pack qty	Compatible Eaton's Bussmann series D Type fuse links
25	230	1P	36	PHM25-16AFUSE	1713611	1	16A fuse already included with unit
25	230	1P	36	PHM25	1713614	1	DII fuse links
50	230	1P	36	PHM50	1713615	1	DIII fuse links

See compatible Eaton's Bussmann series 'D' Type fuse links

Accessories

Fuse rating guide plate



1713622

Current (A)	Fuse link size	Colour	Part number	Article number	Pack qty
6	0	Green	LPC6-ADAPTER	1713622	10
10	0	Red	LPC10-ADAPTER	1713623	10
16	1	Grey	LPC16-ADAPTER	1713624	10
20	1	Blue	LPC20-ADAPTER	1713625	10
25	1	Yellow	LPC25-ADAPTER	1713626	10
35	1	Black	LPC35-ADAPTER	1713627	10
50	2	White	LPC50-ADAPTER	1713628	10

Tool for inserting fuse rating guide plate



1713629

Part number	Article number	Pack qty
LPC-ADAPTERKEY	1713629	1

Accessories

Dummy fuse insert for maintenance work



1713607

Part number	Article number	Pack qty
LPC-PHM-DUMMY	1713607	1

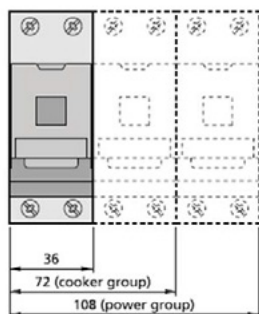
Compatible Eaton's Bussmann series Fuse links

'D' Type low voltage fuse links suitable for Pasco fused switch-disconnector

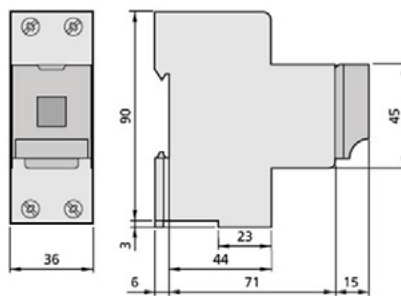
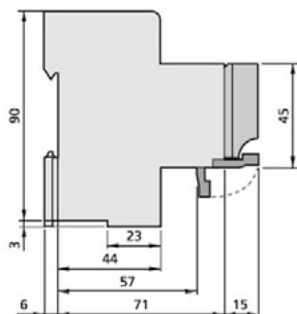


Pasco/Paco	Compatible 'D' Type Fuse links						
	Article number	Part number	Size	Type	Current (Amps)	Voltage (V a.c.)	Pack qty
Pasco LPC25 : 1713612, 1713616 and 1713617		6D27	DII	Time-delay	6	500	25
		10D27	DII	Time-delay	10	500	25
		16D27	DII	Time-delay	16	500	25
		20D27	DII	Time-delay	20	500	25
		25D27	DII	Time-delay	25	500	25
		6D27Q	DII	Fast acting	6	500	25
		10D27Q	DII	Fast acting	10	500	25
		16D27Q	DII	Fast acting	16	500	25
		20D27Q	DII	Fast acting	20	500	25
		25D27Q	DII	Fast acting	25	500	25
		6D27R	DII	Ultra rapid	6	500	25
		10D27R	DII	Ultra rapid	10	500	25
		16D27R	DII	Ultra rapid	16	500	25
		20D27R	DII	Ultra rapid	20	500	25
		25D27R	DII	Ultra rapid	25	500	25
Pasco LPC35 1713618		35D33	DIII	Time-delay	35	500	25
		35D33Q	DIII	Fast acting	35	500	25
		35D33R	DIII	Ultra rapid	35	500	25
		35D33	DIII	Time-delay	35	500	25
		40D33	DIII	Time-delay	40	500	25
Pasco LPC50 1713613		50D33	DIII	Time-delay	50	500	25
		35D33Q	DIII	Fast acting	35	500	25
		40D33Q	DIII	Fast acting	40	500	25
Paco PHM50: 1713615		50D33Q	DIII	Fast acting	50	500	25
		35D33R	DIII	Ultra rapid	35	500	25
		40D33R	DIII	Ultra rapid	40	500	25
Data sheet 4124		50D33R	DIII	Ultra rapid	50	500	25

Outline drawings



Pasco, Type LPC - mm



Paco, Type HPM - mm

Fused switch-disconnector 25 A, 35 A and 50 A, 400 V a.c.

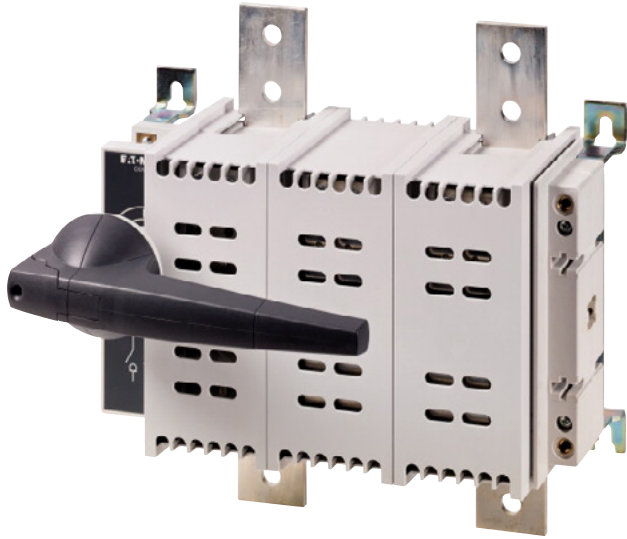
Pasco Fused switch-disconnector and Paco fuse holder

Technical data

		Pasco LPC25	Pasco LPC35/50	Paco PHM25	Paco PHM50
Conventional free air thermal current	I_{th}	25 A	50 A 1P+N, 35 A 3P+N	25 A	50 A
Conventional enclosed thermal current	I_{the} 35°C	25 A	50 A 1P+N, 35 A 3P+N	25 A	50 A
Rated uninterrupted current	I_u	25 A	50 A 1P+N, 35 A 3P+N	25 A	50 A
Rated operational voltage	U_e	230 V LPC25 230 V LPC25/2 400 V LPC25/3	230 V LPC50 400 V LPC35/3	230 V	230 V
Rated insulation voltage	U_i	400 V	400 V	230 V	230 V
Rated impulse withstand voltage	U_{imp}	6 kV	6 kV	6 kV	6 kV
Rated frequency		50 / 60 Hz	50 / 60 Hz	50 / 60 Hz	50 / 60 Hz
Storage temperature		-25...+80°C	-25... +80°C	-25...+80°C	-25... +80°C
Max altitude (without derating)		2000 m	2000 m	2000 m	2000 m
Rated operational current					
AC-21A					
At $U_e = 230$ V AC-21A	I_e	25 A	50 A LPC50 35 A LPC35/3	-	-
AC-22A					
At $U_e = 230$ V AC-22A	I_e	25 A LPC25, LPC25/2	50 A LPC50	-	-
At $U_e = 400$ V AC-22A	I_e	50 A LPC25/3	35 A LPC35/3	-	-
AC-21B					
At $U_e = 230$ V AC-21B	I_e	-	-	25 A	50 A
AC-22B					
At $U_e = 400$ V AC-22B	I_e	-	35 A 3P+N	-	-
Rated conditional short-circuit current	I_p	50 kA	35 kA	50 kA	35 kA
Cut-off current	max.	4.8 kA	6.7 kA	4.8 kA	6.7 kA
Joule integral	max.	4 kA ² s	15 kA ² s	4 kA ² s	15 kA ² s
Fuse-link max	I_n	25 A	50 A LPC50 35 A LPC35/3	25 A	50 A
Fuse link Type		DII	DIII	DII	DIII
Power dissipation per pole at I_{th}		1.7 W	2.4 W (35 A), 3.1 W (50 A)	0.5 W	1.9 W
Maximum fuse watts loss		3 W	5 W (1P+N), 4.1 W (3P+N)	3 W	5 W
Durability - maximum cycles (on + off)		10.000	10.000	2.000	2.000
Protection class		IP20	IP20	IP20	IP20
Terminal capacities					
Cross section 1 cable					
Solid		1.5 - 6 mm ²	1.5 - 6 mm ²	1.5 - 6 mm ²	1.5 - 6 mm ²
Flexible		1.5 - 16 mm ²	1.5 - 16 mm ²	1.5 - 16 mm ²	1.5 - 16 mm ²
Cross section 2 cables					
Solid		1.5 - 4 mm ²	1.5 - 4 mm ²	1.5 - 4 mm ²	1.5 - 4 mm ²
Flexible		1.5 - 4 mm ²	1.5 - 4 mm ²	1.5 - 4 mm ²	1.5 - 4 mm ²
Tightening torque		2 Nm	2 Nm	2 Nm	2 Nm
Pollution degree		II/2	II/2	II/2	II/2
Standards		EN-IEC 60947-3			
Approvals		CE, KEMA-KEUR			

Switch-disconnectors for DC applications, 125 A to 1250 A, 800/1000 V d.c.

DDC Dumeco, 125 A to 1250 A, 800/1000 V d.c.



Description

The Dumeco DDC switch-disconnectors are specifically designed for applications such as residential, light commercial sites and DC battery storage.

Standards/Approvals

- IEC 60947-3
- CE
- RoHS
- CCC

Technical data

- Voltage frame size 2
 - 125 A to 200 A: 800 V.d.c
 - 250 A to 630 A: 1000 V.d.c
- Voltage frame size 3: 1000 V d.c.
- Current: 125 A to 1250 A

Features

- Operator independent switch
- Specially designed self-cleaning roller contacts
- Bi-directional pole connection gives installation flexibility (non polarised)
- Suitable for rear/base plate mounting
- Operational shaft lengths up to 600 mm
- Protection degree up to IP65
- Door interlocking in OFF position by using D-Type handles
- Padlockable handles in OFF position, defeatable in ON position

Switch-disconnectors for DC applications, 125 A to 1250 A, 800/1000 V d.c.

DDC Dumeco

DDC Dumeco, 125 A to 1250 A, 800/ 1000 V d.c.

DDC range overview

	125 A	160 A	200 A	250 A	400 A	630 A	800 A	1000 A	1250 A
Switch-disconnectors with pre-mounted grey handle	✓	✓	✓	✓	✓	✓	✓	✓	✓
Switch-disconnectors without shaft and handle	✓	✓	✓	✓	✓	✓	✓	✓	✓
Switch-disconnectors with 300 mm shaft and grey handle	✓	✓	✓	✓	✓	✓	✓	✓	✓

DDC with pre-mounted grey handle



Current rating	Voltage rating	Number of poles	Frame size	Part number	Article number	Pack qty
125 A	800 V d.c.	2P	1	DDC-125/2	6098930	1
160 A	800 V d.c.	2P	1	DDC-160/2	6098933	1
200 A	800 V d.c.	2P	1	DDC-200/2	6098936	1
250 A	1000 V d.c.	2P	2	DDC-250/2	6098940	1
400 A	1000 V d.c.	2P	2	DDC-400/2	6098943	1
630 A	1000 V d.c.	2P	2	DDC-630/2	6098946	1
800 A	1000 V d.c.	2P	3	DDC-800/2	6098950	1
1000 A	1000 V d.c.	2P	3	DDC-1000/2	6098953	1
1250 A	1000 V d.c.	2P	3	DDC-1250/2	6098956	1

DDC without shaft and handle



Current rating	Voltage rating	Number of poles	Frame size	Part number	Article number	Pack qty
125 A	800 V d.c.	2P	1	DDC-125/2-SK	6098931	1
160 A	800 V d.c.	2P	1	DDC-160/2-SK	6098934	1
200 A	800 V d.c.	2P	1	DDC-200/2-SK	6098937	1
250 A	1000 V d.c.	2P	2	DDC-250/2-SK	6098941	1
400 A	1000 V d.c.	2P	2	DDC-400/2-SK	6098944	1
630 A	1000 V d.c.	2P	2	DDC-630/2-SK	6098947	1
800 A	1000 V d.c.	2P	3	DDC-800/2-SK	6098951	1
1000 A	1000 V d.c.	2P	3	DDC-1000/2-SK	6098954	1
1250 A	1000 V d.c.	2P	3	DDC-1250/2-SK	6098957	1

DDC with 300 mm shaft and D/P padlockable grey handle with interlock function



6098958

Current rating	Voltage rating	Number of poles	Frame size	Part number	Article number	Pack qty
125 A	800 V d.c.	2P	1	DDC-125/2/M4/P-G	6098932	1
160 A	800 V d.c.	2P	1	DDC-160/2/M4/P-G	6098935	1
200 A	800 V d.c.	2P	1	DDC-200/2/M4/P-G	6098938	1
250 A	1000 V d.c.	2P	2	DDC-250/2/M4/P-G	6098942	1
400 A	1000 V d.c.	2P	2	DDC-400/2/M4/P-G	6098945	1
630 A	1000 V d.c.	2P	2	DDC-630/2/M4/P-G	6098948	1
800 A	1000 V d.c.	2P	3	DDC-800/2/M4/P-G	6098952	1
1000 A	1000 V d.c.	2P	3	DDC-1000/2/M4/P-G	6098955	1
1250 A	1000 V d.c.	2P	3	DDC-1250/2/M4/P-G	6098958	1

Handles and shafts

Handles mounting types overview

DDC Type	Frame size	K Type handles	A Type handles		D/P Type handles		D/C Type handles	
			Grey	Red	Grey	Red/ Yellow	Grey	Red/ Yellow
DDC without pre-mounted grey handle DDC-2/SK	2	K3	✓	✓	✓	✓	✓	✓
	3	K4	✓	✓	✓	✓	✓	✓

A Type: Handle mounted directly on switch

D/P Type: Handle padlockable for mounting on hinged door, with interlock function

D/C Type: Handle with cylinder lock for mounting on hinged door, supplied with two keys, with interlock function

A Type handles

Mounted directly on switch suitable for Dumeco DDC-2/SK Type



K3 A handle
1818202



K4 A handle
1818010



Shafts

DDC	Frame size	A Type handles		Metal shafts		Pack qty	
		Handle colours		Shaft mm□	Length of shafts		
		Grey	Red		300 mm		600 mm
DDC-250/2	2	K3AG 1818202	K3AR 1818111	10 x 10	4K10300MMK3 1319319	4K10600MMK3 1319322	1
DDC-400/2	2						
DDC-630/2	2						
DDC-800/2	3	K4AG 1818203	K4AR 1818010	12 x 12	4K12300MMK4 1319326	4K12600MMK4 1319329	1
DDC-1000/2	3						
DDC-1250/2	3						

Switch-disconnectors for DC applications, 125 A to 1250 A, 800/1000 V d.c.

DDC Dumeco

Handles and shafts

D/P Type handles

Padlockable for mounting on hinged door, with interlock function, suitable for Dumeco DDC-2/SK Type



K3 D/P handle
1818069



K4 D/P handle
1818051



Shafts

DDC	Frame size	D/P Type handles		Metal shafts		Pack qty	
		Handle colours		Shaft mm□	Length of shafts		
		Grey	Red/ Yellow		300 mm		600 mm
DDC-250/2	2			10 x 10		1	
DDC-400/2	2	K3DG/P 1818069	K3DR/P 1818096		4K10300MMK3 1319319		4K10600MMK3 1319322
DDC-630/2	2						
DDC-800/2	3			12 x 12		1	
DDC-1000/2	3	K4DG/P 1818052	K4DR/P 1818051		4K12300MMK4 1319326		4K12600MMK4 1319329
DDC-1250/2	3						

D/C Type handles

With cylinder lock for mounting on hinged door supplied with two keys, with interlock function, suitable for Dumeco DDC-2/SK Type



K3 D/C handle
1818097



K4 D/C handle
1818055



Shafts

DDC	Frame size	D/C Type handles		Metal shafts		Pack qty	
		Handle colours		Shaft mm□	Lengths of shafts		
		Grey	Red/ Yellow		300 mm		600 mm
DDC-250/2	2			10 x 10		1	
DDC-400/2	2	K3DG/C 1818070	K3DR/C 1818097		4K10300MMK3 1319319		4K10600MMK3 1319322
DDC-630/2	2						
DDC-800/2	3			12 x 12		1	
DDC-1000/2	3	K4DG/C 1818055	K4DR/C 1818054		4K12300MMK4 1319326		4K12600MMK4 1319329
DDC-1250/2	3						

Accessories

Coupling for extending shaft length for DDC 800 A, 1000 A and 1250 A, frame size 3



6098274

DDC Type	Part number	Article number	Pack qty
Frame size 3	SC4K12/14	6098274	1

Conversion kits for locking the D Type handles in both On and Off position



1818105

DDC Type	Frame size	Part number	Article number	Pack qty
DDC-250	2			1
DDC-400	2	ADAPTORPADLOCK-K3	1818105	1
DDC-630	2			1
DDC-800	3			1
DDC-1000	3	ADAPTORPADLOCK-K4,K5,K61	1818106	1
DDC-1250	3			1

Multi locking device for accomodating up to 3 additional padlocks



1059849

DDC	Frame size	Shackle	Part number	Article number	Pack qty
DDC 250 to 630 A	2	9 mm	LOCKMULTIPLIER-K1-6	1059849	1
DDC 800 to 1250 A	3	9 mm			1

Connection kit



1314915

DDC	Frame size	Bolt size	Part number	Article number	Pack qty
DDC 250 to 630 A	2	M10 x 20 mm	KITM10X20	1314915	1
		M10 x 30 mm	KITM10X30	1314648	1
DDC 800 to 1250 A	3	M12 x 35 mm	KITM12X35	1314857	1

Terminal covers



1319413

DDC	Frame size	Bolt size	Part number	Article number	Pack qty
DDC 250 to 630 A	2	M10	QSACOVER1PM10	1319413	1
DDC 800 to 1250 A	3	M12	QSACOVER1PM12	1319415	1

Auxiliary contact set



6028293

DDC	Frame size	Mounting	Part number	Article number	Pack qty
DDC 250 to 630 A	2	2 Auxiliary contacts per switch	AUX1NO+1NC+BOX012	6028293	1
DDC 800 to 1250 A	3	1 Auxiliary contact per switch	AUX1NO+1NC+BOX3	6101137	1

Switch-disconnectors for DC applications, 125 A to 1250 A, 800/1000 V d.c.

DDC Dumeco

Technical data

DDC 250 A to 1250 A, frame size 1 and 2

		Frame size 1			Frame size 2			
		DDC 125	DDC 160	DDC 200	DDC 250	DDC 400	DDC 630	
Conventional free air thermal current	I_{th}	125 A	160 A	200 A	250 A	400 A	630 A	
Conventional enclosed thermal current	I_{the} 35°C	125 A	160 A	200 A	250 A	400 A	630 A	
		50°C	125 A	160 A	200 A	250 A	400 A	560 A
		65°C	125 A	160 A	200 A	250 A	380 A	480 A
Rated uninterrupted current	I_u	125 A	160 A	200 A	250 A	400 A	630 A	
Rated operational voltage	U_e	800 V	800 V	800 V	1000	1000	1000	
Rated insulation voltage	U_i	1200 V	1200 V	1200 V	1200 V	1200 V	1200 V	
Rated impulse withstand voltage	U_{imp}	8 kV	8 kV	8 kV	12 kV	12 kV	12 kV	
Storage temperature		-40°C +80°C	-40°C +80°C	-40°C +80°C	-40°C +80°C	-40°C +80°C	-40°C +80°C	
Max altitude (without derating)		≤ 2000 m	≤ 2000 m	≤ 2000 m	≤ 2000 m	≤ 2000 m	≤ 2000 m	
Rated operational current								
DC-21B								
At $U_e = 480$ V DC-21B	I_e	125 A	160 A	200 A	250 A	400 A	630 A	
At $U_e = 600$ V DC-21B	I_e	125 A	160 A	200 A	250 A	400 A	630 A	
At $U_e = 800$ V DC-21B	I_e	125 A	160 A	200 A	250 A	400 A	630 A	
At $U_e = 1000$ V DC-21B	I_e	-	-	-	250 A	400 A	630 A	
Rated short-time withstand current	I_{cw}	4 kAs	4 kAs	4 kAs	15 kAs	15 kAs	15 kAs	
Rated short-circuit making capacity	I_{cm}	6 kA	6 kA	6 kA	25 kA	25 kA	25 kA	
Power dissipation per pole	P	8 W	12 W	21 W	15 W	39 W	97 W	
Durability - maximum cycles (on+off)		10000	10000	10000	10000	10000	10000	
Pollution degree		III/3	III/3	III/3	III/3	III/3	III/3	
Protection class		IP20	IP20	IP20	IP20	IP20	IP20	
Terminal capacities								
Terminal bolt size		M8	M8	M8	M10	M10	M10	
Cross section								
Stranded		120 mm ²	120 mm ²	120 mm ²	240 mm ²	240 mm ²	185 mm ² x 2	
Busbars		1 x 30 x 3 2 x 20 x 3	1 x 30 x 3 2 x 20 x 3	1 x 30 x 3 2 x 20 x 3	1 x 25 x 6	2 x 25 x 6	2 x 40 x 5	
Terminal tightening torque		14 Nm	14 Nm	14 Nm	20 Nm	20 Nm	20 Nm	
Standards		IEC 60947-3			IEC 60947-3			
Certification		CE, RoHS, CCC			CE, RoHS, CCC			

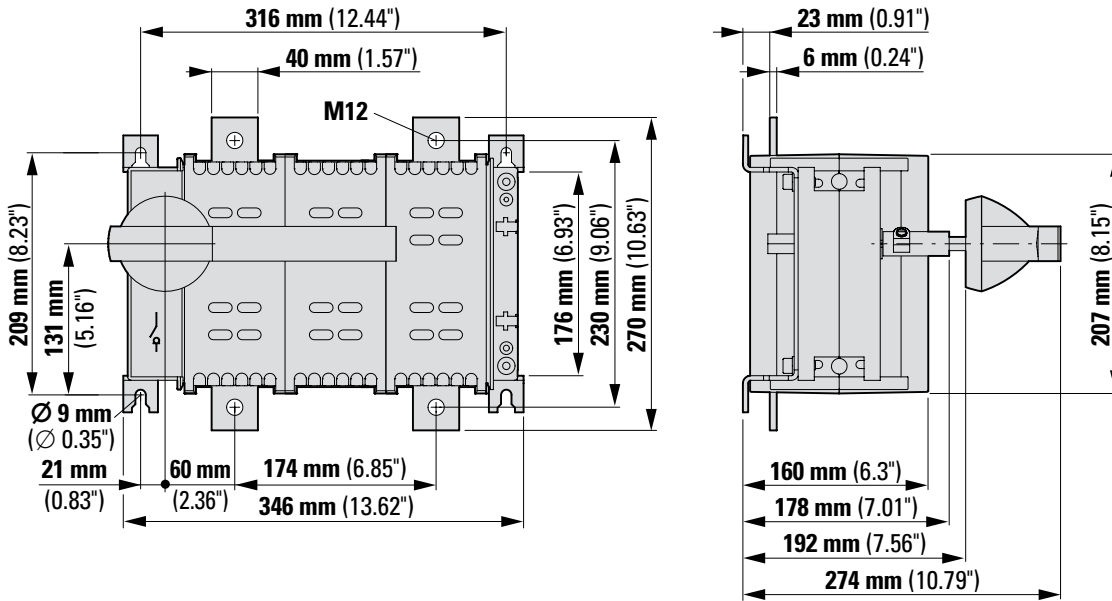
Technical data

DDC 250 A to 1250 A, frame size 3

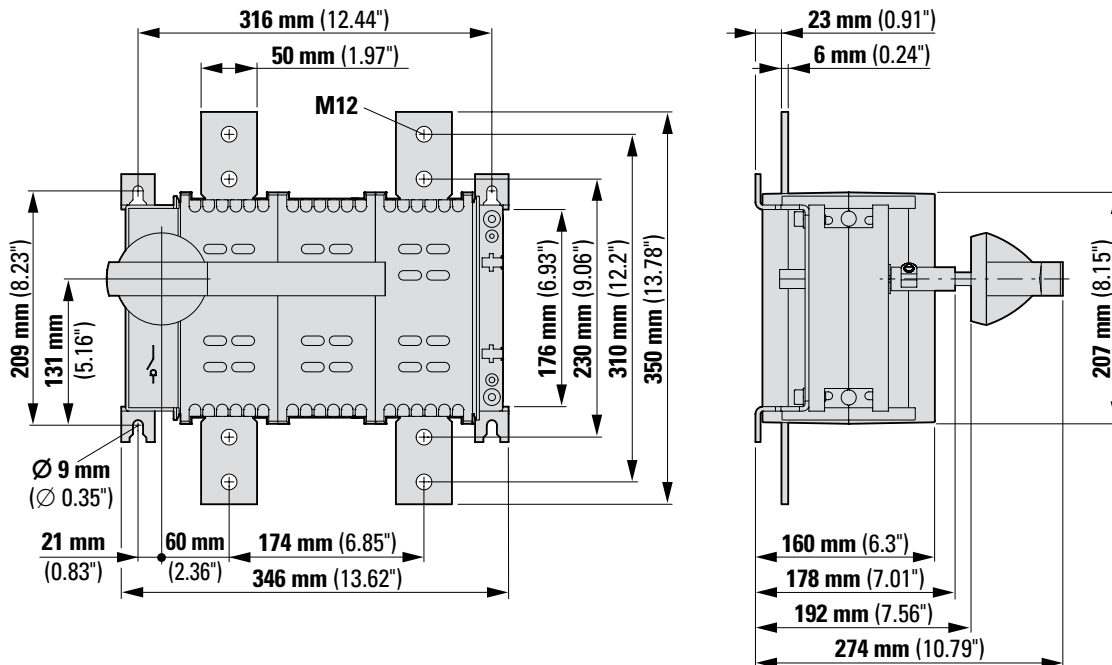
		Frame size 3			
		DDC 800	DDC 1000	DDC 1250	
Conventional free air thermal current	I_{th}	800 A	1000 A	1250 A	
Conventional enclosed thermal current	I_{the} 35°C	800 A	1000 A	1250 A	
		50°C	800 A	1000 A	1250 A
		65°C	700 A	900 A	1000 A
Rated uninterrupted current	I_u	800 A	1000 A	1250 A	
Rated operational voltage	U_e	1000	1000	1000	
Rated insulation voltage	U_i	1200 V	1200 V	1200 V	
Rated impulse withstand voltage	U_{imp}	12 kV	12 kV	12 kV	
Storage temperature		-40°C +80°C	-40°C +80°C	-40°C +80°C	
Max altitude (without derating)		≤ 2000 m	≤ 2000 m	≤ 2000 m	
Rated operational current					
DC-21B					
At $U_e = 480$ V DC-21B	I_e	800 A	1000 A	1250 A	
At $U_e = 600$ V DC-21B	I_e	800 A	1000 A	1250 A	
At $U_e = 800$ V DC-21B	I_e	800 A	1000 A	1250 A	
At $U_e = 1000$ V DC-21B	I_e	800 A	1000 A	1250 A	
Rated short-time withstand current	I_{cw}	25 kAs	25 kAs	25 kAs	
Rated short-circuit making capacity	I_{cm}	54.5 kA	54.5 kA	54.5 kA	
Power dissipation per pole	P	34 W	53 W	83 W	
Durability - maximum cycles (on+off)		5000	5000	5000	
Pollution degree		III/3	III/3	III/3	
Protection class		IP20	IP20	IP20	
Terminal capacities					
Terminal bolt size		M12	2 x M12	2 x M12	
Cross section					
Stranded		240 mm ² x 2	-	-	
Busbars		2 x 50 x 5	2 x 60 x 5	2 x 80 x 5	
Terminal tightening torque		28 Nm	28 Nm	28 Nm	
Standards		IEC 60947-3			
Certification		CE, RoHS, CCC			

Outline drawings

DDC Frame size 3 - 800 A - mm



DDC Frame size 3 - 1000 A and 1250 A - mm

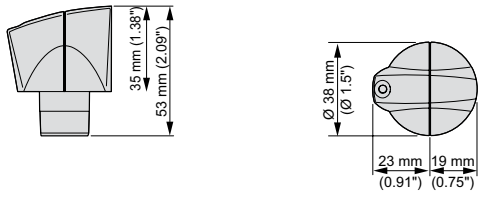


K Type handles dimensions

A Type handles

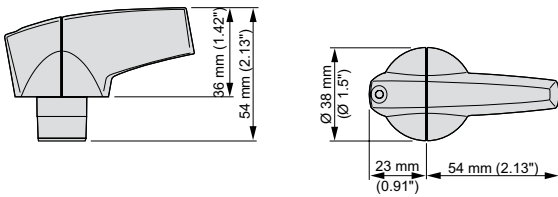
Handle mounted directly on switch (IP Protection IP65)

K1 'A' handle - mm



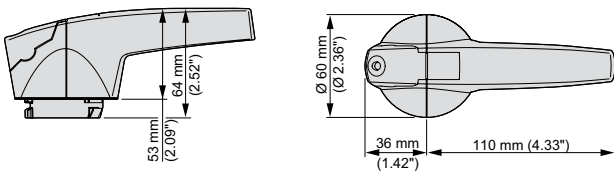
K1 A handle
1818001

K2S and K2 'A' handle - mm



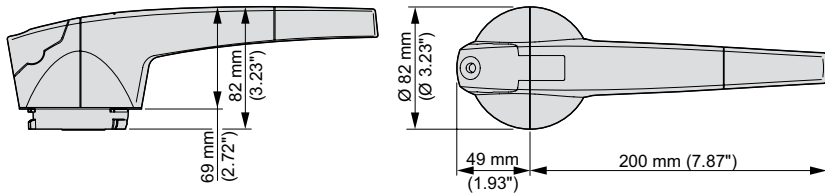
K2 A handle
1818004

K3 'A' handle - mm



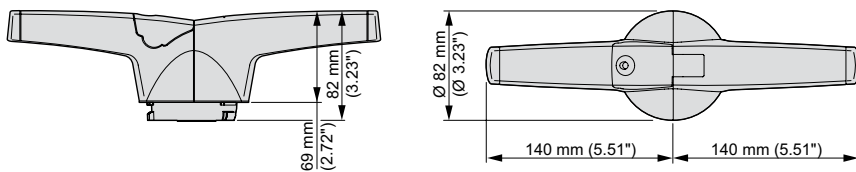
K3 A handle
1818202

K4 'A' handle - mm



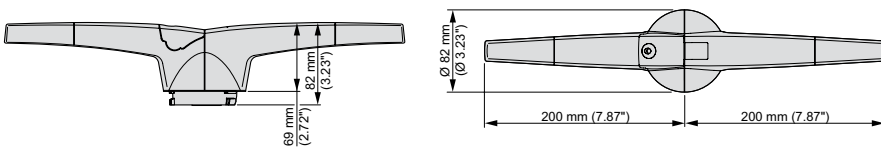
K4A handle
1818009

K5 'A' handle - mm



K5 A handle
1818012

K6 'A' handle

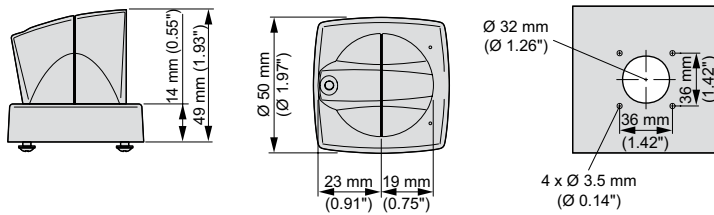


K6 A handle
1818013

C Type handles

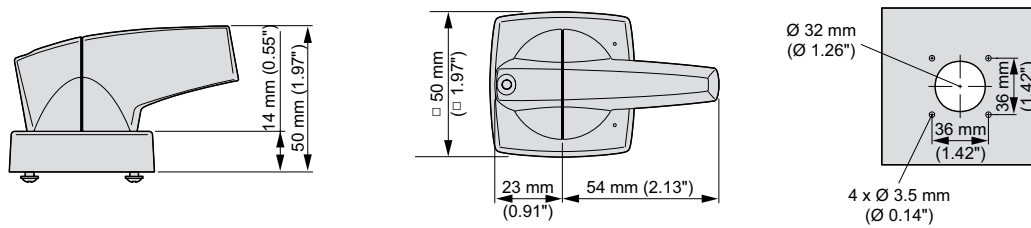
Without interlock function, for example when mounted on the cover of Eaton's Halyester enclosure range (IP Protection IP56)

K1 'C' handle - mm



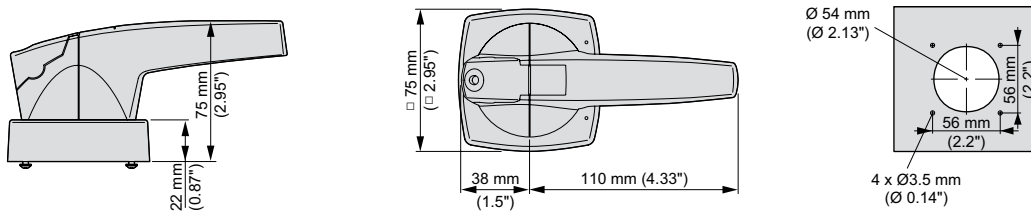
K1 C handle

K2S and K2 'C' handle - mm



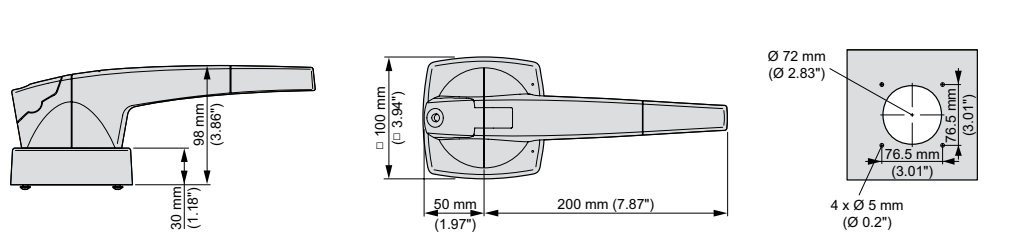
K2 handle
1818018

K3 'C' handle - mm



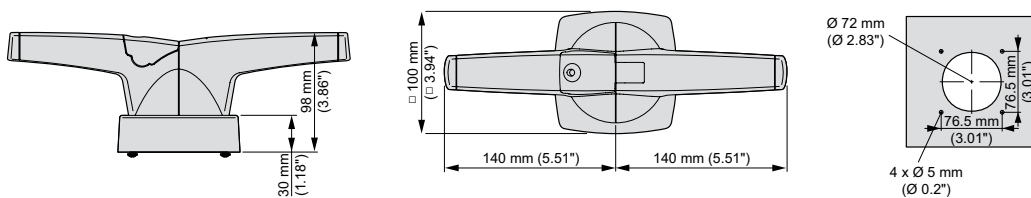
K3 C handle
1818068

K4 'C' handle - mm



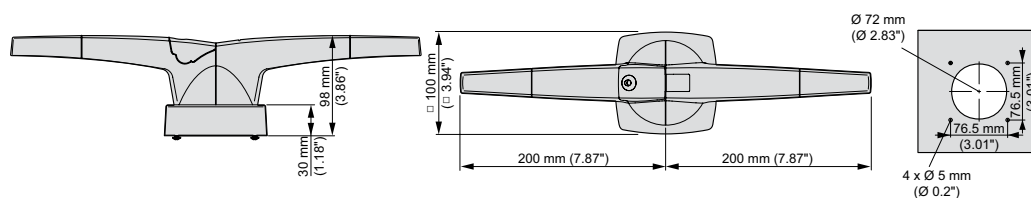
K4 C handle
1818024

K5 'C' handle - mm



1818026

K6 'C' handle - mm



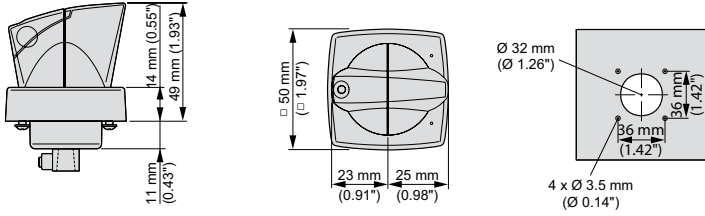
1818027

K Type handles dimensions

D/P handles

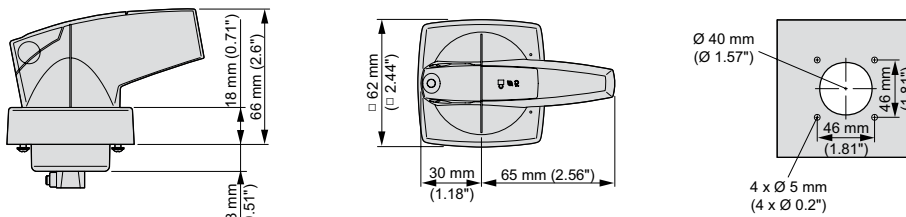
Handle padlockable for mounting on hinged door, with interlock function (IP Protection IP65)

K1 'D/P' handles - mm



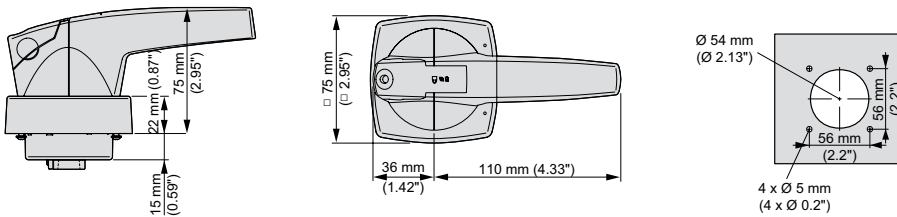
K1 D/P handle
1818029

K2S and K2 'D/P' handles - mm



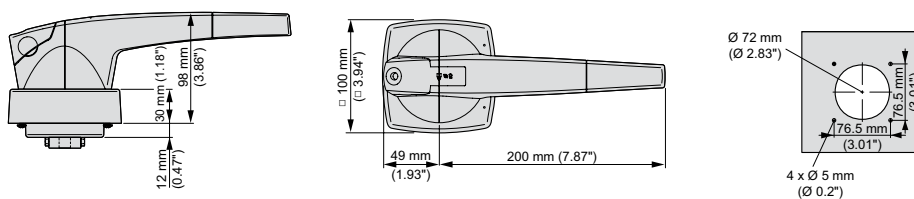
K2 D/P handle
1818033

K3 'D/P' handles - mm



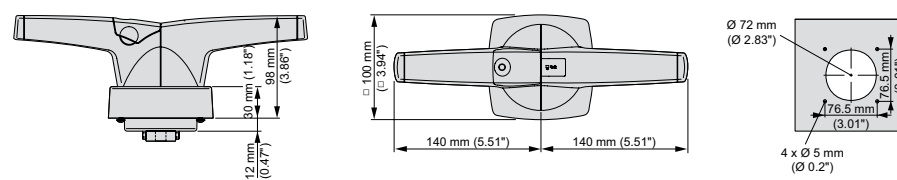
K3 D/P handle
1818069

K4 'D/P' handles - mm



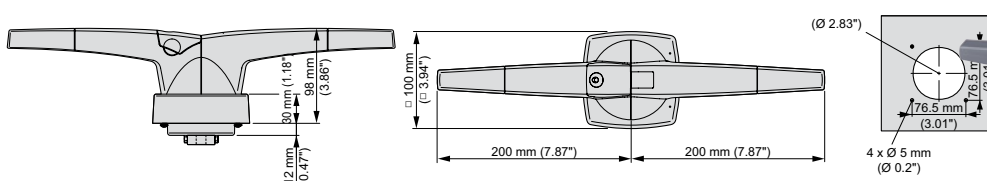
K4 D/P handle
1818113

K5 'D/P' handles - mm



K5 D/P handle
1818057

K6 'D/P' handles - mm

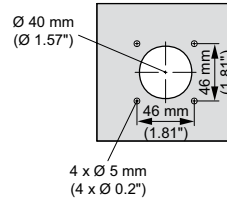
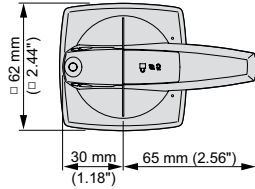
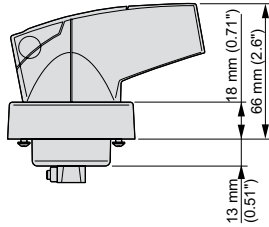


K6 D/P handle
1818064

D/C Type handles

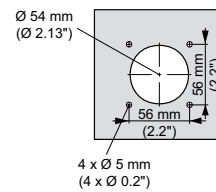
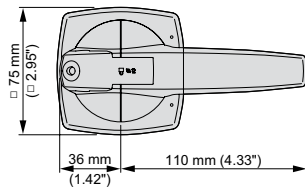
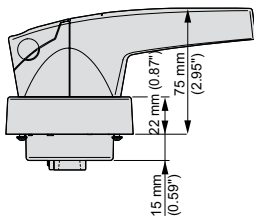
Handle with cylinder lock for mounting on hinged door, supplied with two keys, with interlock function (IP Protection IP65)

K2S and K2 'D/C' handle - mm



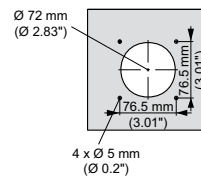
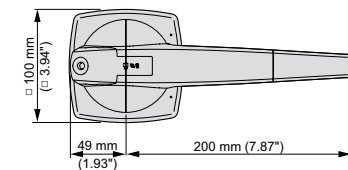
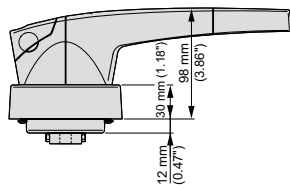
K2 D/C handle
1818038

K3 'D/C' handle - mm



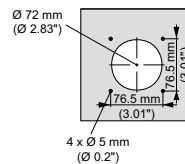
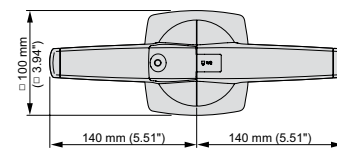
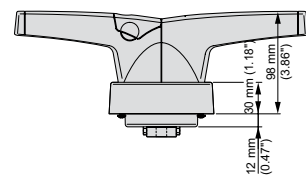
K3 D/C handle
1818097

K4 D/C' handles - mm



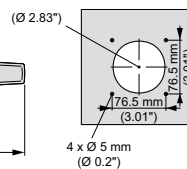
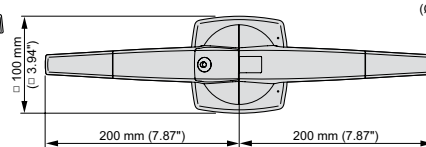
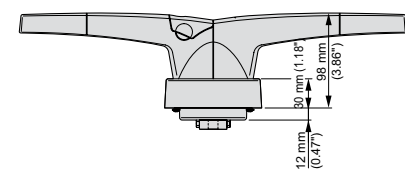
K4 D/C handle
1818055

K5 'D/C' handles - mm



K5 D/C handle
1818060

K6 'D/C' handles - mm



K6 D/C handle
1818067



The power of space

Next generation 30 A and 60 A
Compact Circuit Protector for use with
Class CF CUBEFuse™ requires up to 58%
less space

EAT•N

Powering Business Worldwide

CCP2 Compact circuit protector Class CF disconnect switches 30 A and 60 A

CCP2 class CF 30 A and 60 A, up to 600 V a.c./125 V d.c.



Description

The revolutionary, next generation Bussmann™ series Compact Circuit Protector (CCP2) is a fused UL® 98 branch circuit disconnect switch utilizing the UL Class CF time-delay or fast-acting CUBEFuse™. With 2/3 the footprint of a traditional fusible solution, these switches provide a high 200 kA SCCR to help improve panel and assembly SCCR.

Standards/Approvals

- IEC60947-3 AC-22A
- UL 98 Listed, Guide WHTY, File E302370
- cULus to Canadian Standard 2.2 No. 4-04, Guide WHTYZ, File 302370
- RoHS compliant
- CE

Technical data

- Voltage:
 - 347 V a.c. (1-pole switches)
 - 600 V ac. (2 and 3-pole switches)
 - 125 V d.c. (1- and 2-pole switches)
- Current: 30 A and 60 A
- SCCR:
 - 200 kA RMS Sym
 - 100 kA DC
- 1-pole, 2-pole and 3-pole

Features

- Uses UL Class CF time-delay or fast-acting CUBEFuse with Class J electrical performance
- Extremely compact design at 25.4 mm (1 inch) wide per pole
- Amp rating rejecting disconnects will not accept a CUBEFuse amp rating greater than switch
- Visible contact separation
- Full voltage rated at 347 V a.c. (1-pole switches) and 600 V a.c. (2 and 3-pole switches)

CCP2 Compact circuit protector Class CF disconnect switches 30 A and 60 A

CCP2 class CF

CCP2 class CF range overview

	30 A	60 A
Switch only	✓	✓
Right front rotary, clockwise operated switch	✓	✓
Left front rotary, clockwise operated switch	✓	✓
Right side rotary, clockwise operated switch	✓	✓
Left side rotary, counterclockwise operated switch	✓	✓

CCP2 class CF switch only



CCP2 switch

Article number	Current rating	Number of poles	Voltage rating	Max Hp rating (V a.c.)				Pack qty
				120	240	480	600	
CCP2-1-30CF	30 A	1P	347 V a.c./125 V d.c.	1.5	-	-	-	12
CCP2-2-30CF	30 A	2P	600 V a.c./125 V d.c.	-	3	-	-	6
CCP2-3-30CF	30 A	3P	600 V a.c.	-	5	15	10	4
CCP2-1-60CF	60 A	1P	347 V a.c./125 V d.c.*	3	-	-	-	12
CCP2-2-60CF	60 A	2P	600 V a.c./125 V d.c.*	-	7.5	-	-	6
CCP2-3-60CF	60 A	3P	600 V a.c.	-	7.5	20	10	4

CCP2 class CF right front rotary, clockwise operated switch



CCP2 right front rotary switch

Article number	Current rating	Number of poles	Voltage rating	Max Hp rating (V a.c.)				Pack qty
				120	240	480	600	
CCP2R-2-30CF	30 A	2P	600 V a.c./125 V d.c.	-	3	-	-	1
CCP2R-3-30CF	30 A	3P	600 V a.c.	-	5	15	10	1
CCP2R-2-60CF	60 A	2P	600 V a.c./125 V d.c.*	-	7.5	-	-	1
CCP2R-3-60CF	60 A	3P	600 V a.c.	-	7.5	20	10	1

CCP2 class CF left front rotary, clockwise operated switch



CCP2 left front rotary switch

Article number	Current rating	Number of poles	Voltage rating	Max Hp rating (V a.c.)				Pack qty
				120	240	480	600	
CCP2RL-2-30CF	30 A	2P	600 V a.c./125 V d.c.	-	3	-	-	1
CCP2RL-3-30CF	30 A	3P	600 V a.c.	-	5	15	10	1
CCP2RL-2-60CF	60 A	2P	600 V a.c./125 V d.c.*	-	7.5	-	-	1
CCP2RL-3-60CF	60 A	3P	600 V a.c.	-	7.5	20	10	1

* 125 V d.c. for installed amp ratings up to 40 A, 24 V d.c. for installed fuse amp ratings from 45 to 60 A

CCP2 Class CF 30 A and 60 A, 600 V a.c./125 V d.c.

CCP2 class CF right side rotary, clockwise operated switch



CCP2 right side rotary switch

Article number	Current rating	Number of poles	Voltage rating	Max Hp rating (V a.c.)				Pack qty
				120	240	480	600	
CCP2S-2-30CF	30 A	2P	600 V a.c./125 V d.c.	-	3	-	-	1
CCP2S-3-30CF	30 A	3P	600 V a.c.	-	5	15	10	1
CCP2S-2-60CF	60 A	2P	600 V a.c./125 V d.c.*	-	7.5	-	-	1
CCP2S-3-60CF	60 A	3P	600 V a.c.	-	7.5	20	10	1

CCP2 class CF left side rotary, counterclockwise operated switch



CCP2 left side rotary switch

Article number	Current rating	Number of poles	Voltage rating	Max Hp rating (V a.c.)				Pack qty
				120	240	480	600	
CCP2SL-2-30CF	30 A	2P	600 V a.c./125 V d.c.	-	3	-	-	1
CCP2SL-3-30CF	30 A	3P	600 V a.c.	-	5	15	10	1
CCP2SL-2-60CF	60 A	2P	600 V a.c./125 V d.c.*	-	7.5	-	-	1
CCP2SL-3-60CF	60 A	3P	600 V a.c.	-	7.5	20	10	1

* 125 V d.c. for installed amp ratings up to 40 A, 24 V d.c. for installed fuse amp ratings from 45 to 60 A

Handles and shafts for CCP2 class CF (Handles and shaft are to be ordered separately)

Handles mounting types overview

CCP2	Shaft square mm	Selector handles clockwise		Selector handles counterclockwise		Pistol handles clockwise		Pistol handles counterclockwise	
		Black/Grey	Red/Yellow	Black/Grey	Red/Yellow	Black/Grey	Red/Yellow	Black/Grey	Red/Yellow
CCP2R-(pole)-30CF	8 x 8	✓	✓			✓	✓		
CCP2R-(pole)-60CF	8 x 8	✓	✓			✓	✓		
CCP2R-(pole)-100CF	8 x 8	✓	✓			✓	✓		
CCP2RL-(pole)-30CF	8 x 8	✓	✓			✓	✓		
CCP2RL-(pole)-60CF	8 x 8	✓	✓			✓	✓		
CCP2RL-(pole)-100CF	8 x 8	✓	✓			✓	✓		
CCP2S-(pole)-30CF	8 x 8	✓	✓			✓	✓		
CCP2S-(pole)-60CF	8 x 8	✓	✓			✓	✓		
CCP2S-(pole)-100CF	8 x 8	✓	✓			✓	✓		
CCP2SL-(pole)-30CF	8 x 8			✓	✓			✓	✓
CCP2SL-(pole)-60CF	8 x 8			✓	✓			✓	✓
CCP2SL-(pole)-100CF	8 x 8			✓	✓			✓	✓

[See data sheet TD134003EN](#)

CCP2 Compact circuit protector Class CF disconnect switches 30 A and 60 A

CCP2 class CF

Handles and shafts

Selector and pistol clockwise handles



Selector handle
CCP2-H4X-B1



Selector handle
CCP2-H4X-R1



Pistol handle
CCP2-H4X-B2



Pistol handle
CCP2-H4X-R2



Shafts
CCP-SH1

CCP2 class CF	Description	Selector handles		Pistol handles		Metal shafts			Pack qty
		Handle colours		Handle colours		Shaft mm□	Shaft length		
		Black/Grey	Red/Yellow	Black/Grey	Red/Yellow		290 mm	490 mm	
CCP2R-(pole)-30CF	Right front rotary switch clockwise handle	CCP2-H4X-B1	CCP2-H4X-R1	CCP2-H4X-B2	CCP2-H4X-R2	8 x 8	CCP2-SH1-290	CCP2-SH1-490	1
CCP2R-(pole)-60CF									
CCP2R-(pole)-100CF									
CCP2RL-(pole)-30CF	Left front rotary switch clockwise handle	CCP2-H4X-B1	CCP2-H4X-R1	CCP2-H4X-B2	CCP2-H4X-R2	8 x 8	CCP2-SH1-290	CCP2-SH1-490	1
CCP2RL-(pole)-60CF									
CCP2RL-(pole)-100CF									
CCP2S-(pole)-30CF	Right side rotary switch, clockwise handle	CCP2-H4X-B1	CCP2-H4X-R1	CCP2-H4X-B2	CCP2-H4X-R2	8 x 8	CCP2-SH1-290	CCP2-SH1-490	1
CCP2S-(pole)-60CF									
CCP2S-(pole)-100CF									

Selector and pistol counterclockwise handles



Selector handle
CCP2-H4X-B1L



Selector handle
CCP2-H4X-R1L



Pistol handle
CCP2-H4X-B2L



Pistol handle
CCP2-H4X-R2L



Shafts
CCP-SH1

CCP2 Class CF	Description	Selector handles		Pistol handles		Metal shafts			Pack qty
		Handle colours		Handle colours		Shaft mm□	Shaft length		
		Black/Grey	Red/Yellow	Black/Grey	Red/Yellow		290 mm	490 mm	
CCP2SL-(pole)-30CF	Left side rotary switch, counterclockwise handle	CCP2-H4X-B1L	CCP2-H4X-R1L	CCP2-H4X-B2L	CCP2-H4X-R2L	8 x 8	CCP2-SH1-290	CCP2-SH1-490	1
CCP2SL-(pole)-60CF									
CCP2SL-(pole)-100CF									

See data sheet [TD134003EN](#)

Accessories

Multi-wire lug kits



CCP2-MW1-3

Article number	Description	Suitable for CCP2	Pack qty
CCP2-MW1-3	3-port multi-wire, 75°C Cu.Al, 6-14 includes terminal shield	30 A and 60 A	3

Terminal shrouds



CCP2-TS1-3

Article number	Suitable for CCP2	Pack qty
CCP2-TS1-3	30 A and 60 A	3

Auxiliary contacts



CCP2-AUX

Article number	Description	Suitable for CCP2	CCP Type	Pack qty
CCP2-AUX	NO + NC, 5A /240 V a.c., mounts on right side	CCP2-(poles)-30CF	Switch only	3
		CCP2-(poles)-60CF		
	NO + NC, 5A /240 V a.c.	CCP2RL-(poles)-30CF	Left front rotary	3
		CCP2RL-(poles)-60CF		
	NO + NC, 5A /240 V a.c., mounts on right side	CCP2SL-(poles)-30CF	Left side rotary	3
		CCP2SL-(poles)-60CF		

CCP2 Compact circuit protector Class CF disconnect switches 30 A and 60 A

CCP2 class CF

Technical data for CCP2 Class CF

CCP2 Class CF 30 A and 60 A	
Rated voltage	347 V a.c. (1-pole switches) 600 V a.c. (2 and 3-pole switches) 125 V d.c.*
SCCR	200 kA AC and 100 kA DC
Poles	1-pole, 2-pole and 3-pole
Conductors/terminals	75oC Cu, see conductor tables for size, type and torque information Box lug, single/dual indicator Fork terminal suitable for line, load or accessory connection, max. 30 A suitable for use with - 10-24 screw for 30 A and 60 A switches - 1/4-28 screw for 100 A switches
Local open fuse indication minimum voltage (Open fuse indication requires an open fuse to be in the CCP2 and the switch in the ON position)	90 V a.c for AC switches 12 V d.c. for DC switches
Storage and operating temperature	-20°C to 75°C For fuse performance under or above 25oC, consult fuse performance derating charts in the Bussmann division publication no 3002, titled Selecting Protection Devices (SPD)
Lockout/tag provisions	1/4" lock, direct use on switches without rotary mechanisms requires a lock with a straight shank of sufficient length to engage all poles
Minimum enclosure size	254 x 203 x 152 mm for 30 and 60 A switch 356 x 305 x 152 mm for 100 switch
Mounting	35 mm DIN-Rail
Data sheet	10801
Agency information	UL 98 Listed, Guide WHTY, File E302370 cULus to Canadian Standard 2.2 NO 4-04, Guide WHTY7 File 302370 RoHS compliant CE

* Switch amp rating and installed fuse amp rating dependent

Box lug terminal conductor data

Wire type	AWG range	Class	Quantity	Torque N•m (lb-in)
30 and 60 A switches				
75°C Cu	4-6	Stranded, Class B to K	Single	3.95 (35)
	8-18			2.26 (20)
	6-8	Stranded, Class B/C	Dual	3.39 (30)
		Stranded, Class K		2.26 (20)
	10-18	Stranded, Class B to K	Single/dual	2.26 (20)
	10-18	Solid		
	4-18	Stranded, UL ferrule, Class B/C	Single	3.39 (30)
	6-18		Twin†	
	4-18	Stranded, UL ferrule, Class K	Single	2.82 (25)
	6-18		Twin†	

† Two stranded conductors placed in one UL Listed twin ferrule.

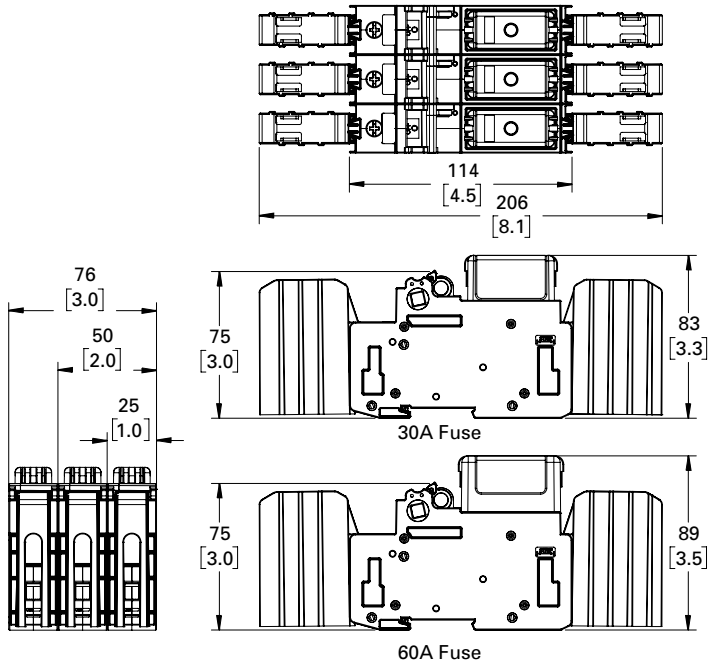
Wire type	AWG range	Class	Quantity	Torque N•m (lb-in)
100 A switches				
75°C Cu	12-18	Stranded, Class B/C	Single	2.26 (20)
	10			2.82 (25)
	8	Stranded, Class B/C	Dual	4.52 (40)
	4-6			5.08 (45)
	1-3	Stranded, UL ferrule, Class B/C	Dual	6.21 (55)
	4-12			5.08 (45)
	12-18	Stranded, UL ferrule, Class B/C	Single	2.26 (20)
	10			3.95 (35)
	1-8	Stranded, UL ferrule, Class B/C	Twin†	4.52 (40)
	10-18			2.26 (20)
	6-9	Solid	Single/Dual	2.82 (25)
	10-18			2.26 (20)
	1-7	Class K	Single	3.39 (30)
	3-10			Dual
	8-18	Class K, UL ferrule	Single	2.26 (20)
	1-7			3.39 (30)
6-18	Class K, UL ferrule	Twin	2.26 (20)	
6-18			2.26 (20)	

† Two stranded conductors placed in one UL Listed twin ferrule.

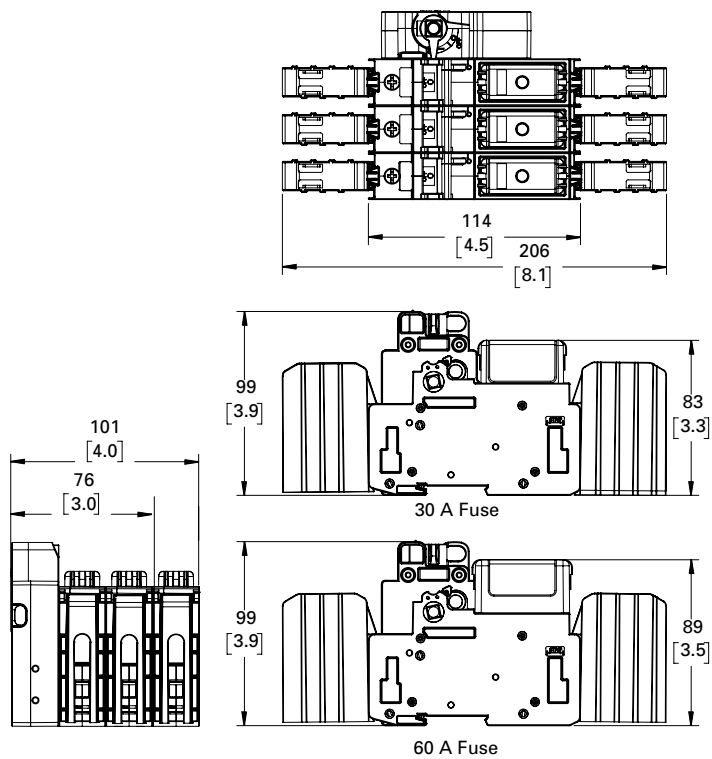
[See data sheet TD134003EN](#)

Outline drawings

30 A and 60 A Switch only (shown with optional terminal shrouds) - mm (in)



30 A and 60 A Right front rotary switches (shown with optional terminal shrouds) - mm (in)

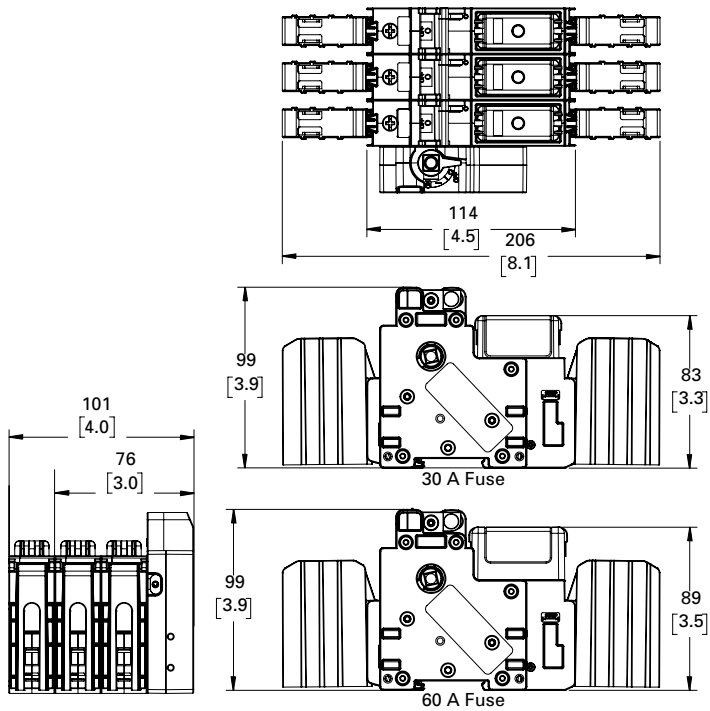


CCP2 Compact circuit protector Class CF disconnect switches 30 A and 60 A

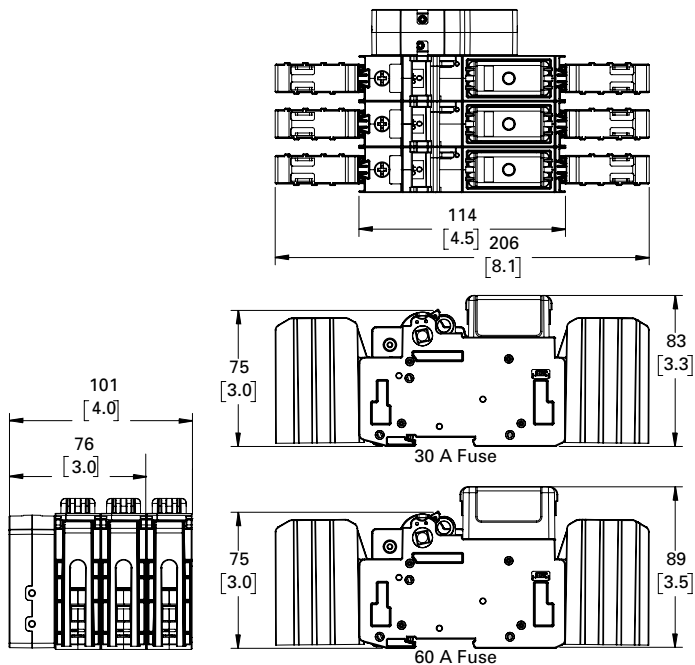
CCP2 class CF

Outline drawings

30 A and 60 A Left front rotary switches (shown with optional terminal shrouds) - mm (in)



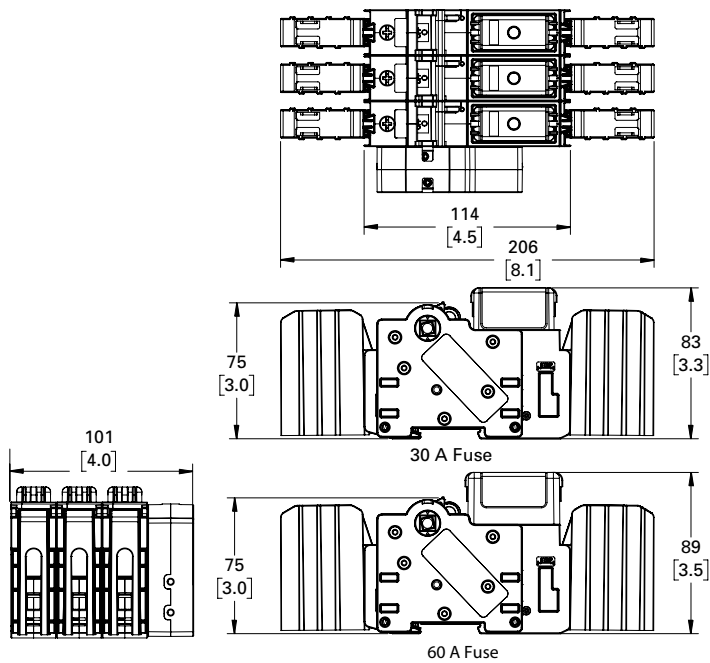
30 A and 60 A Right side rotary switches (shown with optional terminal shrouds) - mm (in)



[See data sheet TD134003EN](#)

Outline drawings for CCP2 class CF (Dimensions are in mm (in))

30 A and 60 A Left side rotary switches (shown with optional terminal shrouds) - mm (in)



CCP2 Compact circuit protector Class CF disconnect switches 30 A and 60 A

CCP2 class CF

CCP2 class CF Compatible Eaton's Bussmann series fuse links

TCF UL Class CF branch circuit time-delay CUBEFuse



CCP Class CF	Compatible CUBEFuse			
Article number	Article number	Current (Amps)	Voltage	Pack qty
Indicating CUBEFuse				
CCP 30 A, CCP 60 A and CCP 100 A	TCF6	6	600 V a.c./ 100 V d.c.	12
	TCF10	10		12
	TCF15	15		12
	TCF17-1/2	17.5		12
	TCF20	20		12
	TCF25	25		12
	TCF30	30		12
CCP 60 A and CCP 100 A	TCF35	35		12
	TCF40	40		12
	TCF45	45		12
	TCF50	50		12
CCP 100 A	TCF60	60		12
	TCF70	70		6
	TCF80	80		6
	TCF90	90		6
	TCF100	100		6
Non-indicating CUBEFuse				
CCP 30 A, CCP 60 A and CCP 100 A	TCF1RN	1	600 V a.c./ 100 V d.c.	12
	TCF3RN	3		12
	TCF6RN	6		12
	TCF10RN	10		12
	TCF15RN	15		12
	TCF17-1/2RN	17.5		12
	TCF20RN	20		12
	TCF25RN	25		12
CCP 60 A and CCP 100 A	TCF30RN	30		12
	TCF35RN	35		12
	TCF40RN	40		12
	TCF45RN	45		12
CCP 100 A	TCF50RN	50		12
	TCF60RN	60		12
	TCF70RN	70		6
	TCF80RN	80		6
	TCF90RN	90		6
TCF100RN	100		6	

See data sheet [9000](#)

Index

4K10	11, 38, 39, 46, 47
4K10/4K	70
4K10K	9, 10, 11
4K14	11, 38, 39, 46, 47
4K14K	9, 10, 11
4K6116	9, 10, 11, 24, 25, 32
4K6132	9, 10, 11, 24, 25, 32
4K6148	9, 10, 11, 24, 25, 32
4K6172	9, 10, 11, 24, 25, 32
4K6180	64, 65
4K6180MM	52
4K6270	9, 10, 11, 24, 25, 32
4K6300	64, 65
4K6300MM	52
4K6400	9, 10, 11, 24, 25, 32
4K6600	64, 65
4K6600MM	52
4K8115	64, 65, 66
4K8140	64, 65, 66
4K8180	64, 65, 66
4K8300	64, 65, 66
4K8600	64, 65, 66
4K10135	64, 65, 66
4K10180	64, 65, 66
4K10300	64, 65, 66, 93, 94
4K10600	64, 65, 66, 93, 94
4K12300	64, 65, 66, 93, 94
4K12600	64, 65, 66, 93, 94
5A	46
098931	92
131932	65
171362	88
172789	22
172790	22
172791	22
172792	22
172793	22
172794	22
172795	22
172796	22
172797	22
172798	23
172799	23
172800	23
172801	23
172802	23
172803	23
172804	23
172805	23
172806	23
172846	22
172847	22
172848	22
172849	22
172850	22
172851	22
172852	22
172853	22
172854	22
172855	23
172856	23
172857	23
172858	23
172859	23
172860	23
172861	23
172862	23
172863	23
181444	8
181807	11
199531	21
199532	21
199533	21
199534	21
199969	21
199970	21
319432	68
319832	64
319853	53
1050240	9, 10, 11, 46, 47
1050242	9, 10, 11, 46, 47
1050243	9, 10, 11, 46, 47
1050244	9, 10, 11, 46, 47
1050247	9, 10, 11, 46, 47
1050248	9, 10, 11, 38, 39
1050250	9, 10, 11, 38, 39
1050251	38, 39
1050252	38, 39
1050253	38, 39
1050254	38, 39
1050256	12
1050257	12
1059849	95
1314002	31
1314004	31
1314005	31
1314006	31
1314007	31
1314009	31
1314015	31
1314016	31
1314031	12
1314052	21
1314053	21
1314054	22
1314055	22
1314056	21
1314057	21
1314104	31
1314105	31
1314106	31
1314107	31
1314108	31
1314109	31
1314110	31
1314111	31
1314112	31
1314113	31
1314157	21
1314158	21
1314159	22
1314160	22
1314161	21
1314162	21
1314203	21
1314204	21
1314206	22
1314207	22
1314210	21
1314211	21
1314230	12
1314232	26
1314300	26, 33
1314301	26, 33
1314314	37
1314320	37
1314330	26
1314331	26, 33
1314334	24, 25, 32
1314335	24, 25, 32
1314336	37
1314341	24, 25, 32
1314342	24, 25, 32
1314344	33
1314369	26, 33
1314370	24, 25, 32
1314374	24, 25, 32
1314398	12
1314648	12, 95
1314682	37
1314691	9, 10, 11
1314692	9, 10, 11
1314693	9, 10, 11
1314736	12
1314751	9, 10, 11
1314752	9, 10, 11
1314830	12
1314857	12, 95
1314878	37
1314879	37
1314881	37
1314883	37
1314884	37
1314915	12, 95
1314927	12
1314996	9, 10, 11
1318011	63
1318016	63
1318020	63
1318023	63
1318027	62
1318030	62
1318033	62
1318476	69
1318526	62
1318533	62
1318537	63
1318542	62
1318543	62
1318544	63
1318546	62
1318547	62
1318548	62
1318549	62
1318550	62
1318551	62
1318552	62
1318553	62
1318554	62
1318555	62
1318612	62
1318614	62
1318685	70
1318694	62
1318699	62
1319065	63
1319074	63
1319095	63
1319103	63
1319175	63
1319301	64, 65, 66
1319303	64, 65, 66
1319306	64, 65, 66
1319307	64, 65, 66
1319311	64, 65, 66
1319314	64, 65, 66
1319315	64, 65, 66
1319319	64, 65, 66, 93, 94
1319322	64, 65, 66, 93, 94
1319326	64, 65, 66, 93, 94
1319329	64, 65, 66, 93, 94
1319332	70
1319334	70
1319336	70
1319398	70
1319409	68
1319411	68
1319413	68, 95
1319415	68, 95
1319417	69
1319418	68
1319423	69
1319426	69
1319429	69
1319435	69
1319438	69
1319439	69
1319441	69
1319460	67
1319462	67
1319466	67
1319467	67
1319472	67
1319473	67
1319474	67
1319476	67
1319480	67
1319482	67
1319486	67
1319662	67
1319830	52, 64, 65
1319831	52, 64, 65
1319832	52, 65
1319833	33, 52, 70
1319851	53
1319855	52
1319856	52
1319857	52
1319858	52
1319859	52
1319868	53
1319869	53
1319870	53
1319871	53
1319872	53
1319873	53
1319967	52
1319969	52
1320200	63
1320201	62
1320202	63
1320203	62
1320204	63
1320205	62
1320206	63
1320207*	62
1320237	69
1320239	68
1320297	62
1320298	62
1713607	89
1713610	88
1713611	88
1713612	88
1713613	88
1713614	88
1713615	88
1713616	88
1713617	88
1713618	88
1713622	88
1713623	88
1713625	88
1713626	88
1713627	88
1713628	88
1713629	88
1814065	7
1814174	7
1814175	7
1814176	7
1814177	7
1814178	7
1814179	7
1814186	7
1814187	7
1814188	7
1814408	7
1814409	7
1814410	7
1814411	7
1814412	7
1814413	7
1814420	8
1814421	8
1814422	8
1814423	8
1814424	8
1814425	8
1814442	7
1814443	7
1814444	7
1814445	7
1814446	7
1814447	7
1814448	8
1814449	8
1814450	8
1814451	8
1814452	8
1814453	8
1814590	7
1814591	7
1814592	7
1814595	7
1814596	7
1814597	7
1818001	24, 32, 64
1818002	24, 32, 64
1818003	9, 24, 38
1818004	9, 24, 38
1818005	64
1818006	64
1818009	64
1818010	64, 93
1818011	9, 38, 46
1818012	9, 38, 46
1818013	9, 38
1818014	9, 38
1818015	24, 32, 65
1818016	24, 32, 65
1818017	10, 24
1818018	10, 24
1818019	65
1818020	65
1818023	65
1818024	65
1818025	10
1818026	10
1818027	10
1818028	10
1818029	25, 32, 65
1818030	25, 32, 65
1818031	25, 32, 65
1818032	10, 25
1818033	10, 25

1818034	10, 25	6098945	92	GF	85
1818035	65	6098946	92	K1A	24, 32, 64
1818036	65	6098947	92	K1C	24, 32, 65
1818037	65	6098948	92	K1D	25, 32, 65
1818038	11, 25	6098950	92	K2A	64
1818039	11, 25	6098951	92	K2C	65
1818040	11, 25	6098952	92	K2D	65, 66
1818041	66	6098953	92	K2S	10, 24
1818042	66	6098954	92	K2SA	9, 24, 38
1818043	66	6098955	92	K2SD	10, 11, 25
1818050	65	6098956	92	K3A	9, 38, 46, 64, 93
1818051	65, 94	6098957	92	K3C	10, 65
1818052	65, 94	6098958	92	K3D	11, 46, 65, 66, 94
1818053	66	6099271	8	K3DB	11, 47
1818054	66, 94	6099272	8	K3DG	11
1818055	66, 94	6099273	8	K4A	64, 93
1818056	11, 46	6099274	8	K4C	65
1818057	11, 46	6101137	68, 95	K4D	65, 66, 94
1818058	11, 46	ADAPTORPADLOCK	66, 95	K5A	9, 38
1818059	11, 47	ADAPTORPADLOCK-K1	33	K5C	10
1818060	11, 47	AUX1NO+1NC	68	K5D	11, 46
1818061	11, 47	AUX1NO+1NC+BOX	95	K5DB	11, 47
1818062	11	AUX1NO+1NCD/CM/DMM	26, 33	K5DG	11
1818063	11	AUX1NO+1NCDMV160N	12	K5DR	11
1818064	11	AUX1NO+1NCDMVS160-2000	12	K6A	9, 38
1818065	11	AUX2NO+2NCD/CM/DMM	26, 33	K6C	10
1818066	11	BAO	83	K6D	11
1818067	11	CCP2	105	K6DB	11
1818068	10, 65	CCP2-AUX	109	K6DG	11
1818069	11, 46, 65, 94	CCP2-H4X	108	K6DR	11
1818070	11, 47, 66, 94	CCP2-MW1-3	109	K6100VERL	12
1818072	39	CCP2-TS1-3	109	K6200VERL	12
1818076	39	CD	84	KITM	12, 95
1818078	39	CEO	83	KO2SDB	39
1818096	11, 46, 65, 94	CODM	37	KO3DB	39
1818097	11, 47, 66, 94	COUP	70	KO5DB	39
1818103	33, 66	COUP6X6MM	33, 52	KO6DB/P	39
1818104	66	COVERDCM/DMM	26	LOCKMULTIPLIER-K1-6	95
1818105	66, 95	COVERDCM/DMM40/63	33	LPC	88
1818106	66, 95	COVERDMV160	12	MPDMV	45
1818110	9, 38, 46, 64	COVERDMV630N/1000N	12	MTS-16	57
1818111	9, 38, 46, 64, 93	D27	89	MTS-32	57
1818112	10, 65	D33	89	MTS-40	57
1818113	11, 46, 65	DCM	30	MTS-63	57
1818114	11, 47, 66	DCM-40	31	MTS-HI11	57
1818116	39	DCM-63	31	NH	81
1818200	24, 32, 64	DD	84	Paco	88
1818201	64	DDC	91, 92	Pasco	88
1818202	9, 38, 46, 64, 93	DMM	20	PHM	88
1818203	64, 93	DMM-12	21	QM	51
6028293	68, 95	DMM-40	21, 22	QM63	51
6083336	21	DMM-63	21, 22	QM100	51
6084846	8	DMM-80	21	QMAUX1NO	53
6084847	8	DMM-100	21	QMCOSSET	52
6084848	8	DMM-125	22, 23	QMCOVER	53
6085416	21	DMM-160	21, 22, 23	QMDOORCOUP	52
6085417	21	DMV	6	QMEARTH	53
6085418	21	DMV-160N	7	QMHANDLE	52
6090659	9, 10, 11	DMV-250	8	QMNEUTRAL	52
6093242	8	DMV-250N	7, 8	QSA	61, 62, 63
6093243	8	DMV-400	8	QSA16	63
6093244	8	DMV-400N	7, 8	QSA63	62, 63
6093344	21	DMV-630N	7, 8	QSA100	62, 63
6093345	21	DMV-1000N	7, 8	QSA125	62
6093346	21	DMV-1250N	7	QSA160	62
6093347	21	DMV-1600N	7	QSA200	62, 63
6094964	22	DMV-2000N	7	QSA250	62, 63
6094965	22	DMV-2500	8	QSA315	62, 63
6094966	8	DMV-3150	8	QSA400	62, 63
6094967	8	ED	84	QSA630	62, 63
6094968	22	EF	85	QSA800	62, 63
6094969	22	EP-400894	12	QSACOVER1PM	68, 95
6094970	8	EP-401727	57	QSAFCOVER	69
6094971	8	EP-401728	57	QSAN	67
6096804	22	EP-401729	57	QSANS	67
6096805	22	EP-401730	57	QSARCOVER1P	69
6096806	22	EP-401731	57	QSARCOVER400-800	69
6096807	22	EP-401732	57	QSATCOVERBOX	68
6098274	95	EP-401733	57	SC4K12/14	95
6098930	92	EP-401734	57	SETDMM125	26
6098932	92	EP-401735	57	SETDMV160N	37
6098933	92	EP-401736	57	SETDMVS160N/250N	37
6098934	92	EP-401737	57	SHAFTSETDCM/DMM	26, 33
6098935	92	EP-401738	57	TC	84
6098936	92	EP-401739	57	TCF	114
6098937	92	EP-401740	57	TCP	83
6098938	92	EP-401741	57	TF	84
6098940	92	EP-401742	57	TIS	83
6098941	92	EP-401743	57	TKF	85
6098942	92	EXTENDED-COVERDMVS160N/400N	12	TMF	85
6098943	92	FF	85	TTM	85
6098944	92	FRONTKITDCM/DMM	33		

Eaton is an intelligent power management company dedicated to protecting the environment and improving the quality of life for people everywhere. We make products for the data center, utility, industrial, commercial, machine building, residential, aerospace and mobility markets. We are guided by our commitment to do business right, to operate sustainably and to help our customers manage power - today and well into the future. By capitalizing on the global growth trends of electrification and digitalization, we're helping to solve the world's most urgent power management challenges and building a more sustainable society for people today and generations to come.

Founded in 1911, Eaton has continuously evolved to meet the changing and expanding needs of our stakeholders. With revenues of nearly \$25 billion in 2024, the company serves customers in more than 160 countries.

For more information, visit [eaton.com](https://www.eaton.com). Follow us on [LinkedIn](#).



Eaton Electrical Products Limited
Unit 1, Hawker Business Park
Melton road
Burton-on-the-Wolds
LE12 5TH
United Kingdom

© 2018 Eaton
All Rights Reserved
Printed in the United Kingdom
Publication No. CA008011EN
October 2025

Changes to the products, to the information contained in this document, and to prices are reserved; so are errors and omissions. Only order confirmations and technical documentation by Eaton is binding. Photos and pictures also do not warrant a specific layout or functionality. Their use in whatever form is subject to prior approval by Eaton. The same applies to Trademarks (especially Eaton, Moeller, and Cutler-Hammer). The Terms and Conditions of Eaton apply, as referenced on Eaton Internet pages and Eaton order confirmations.

Eaton is a registered trademark.

All other trademarks are property of their respective owners.

Follow us on social media to get the latest product and support information.

