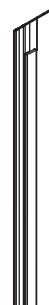
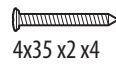
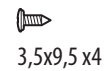
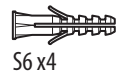
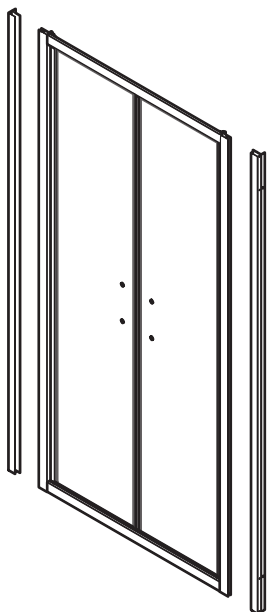
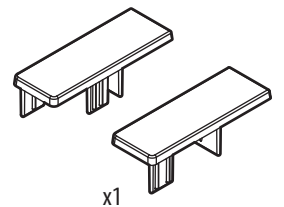
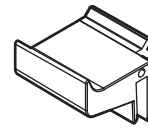
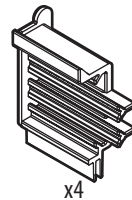
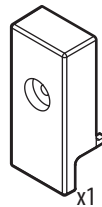
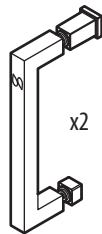
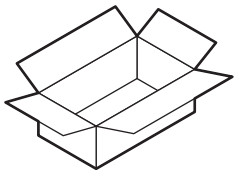
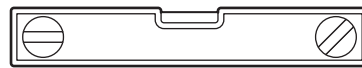
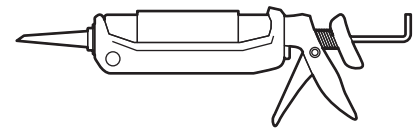
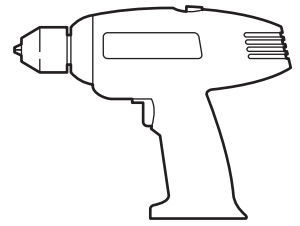
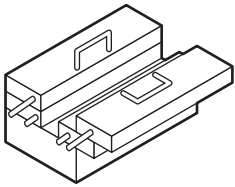
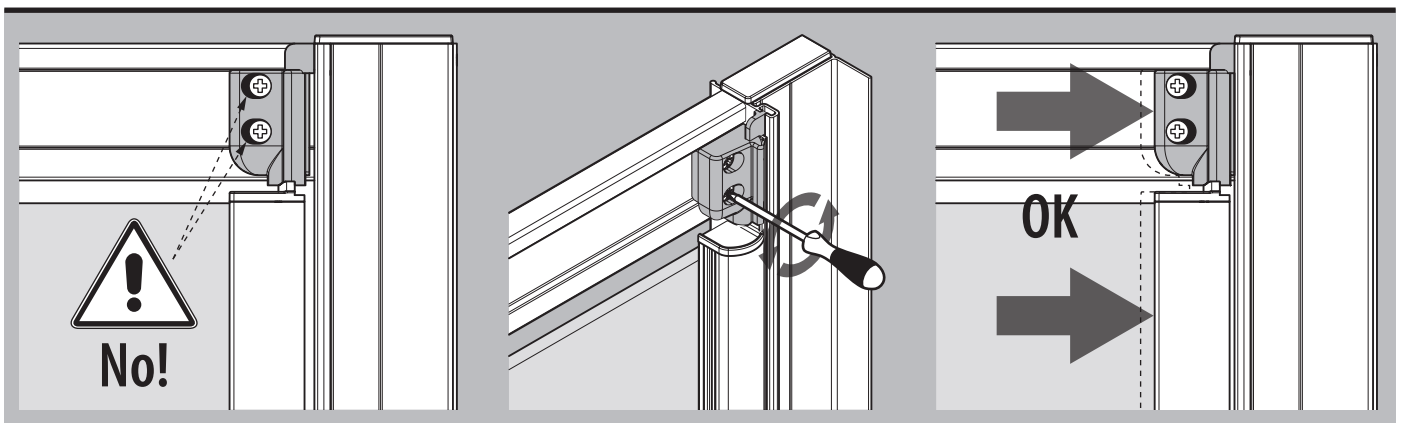
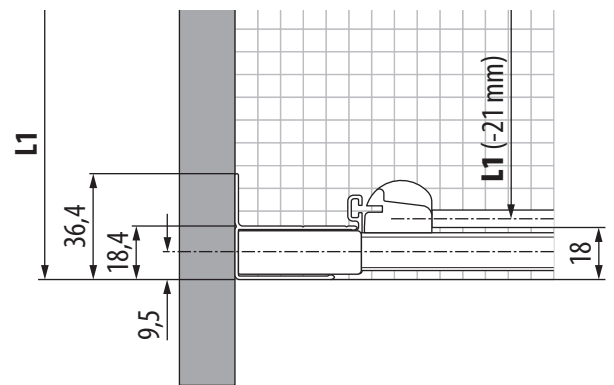
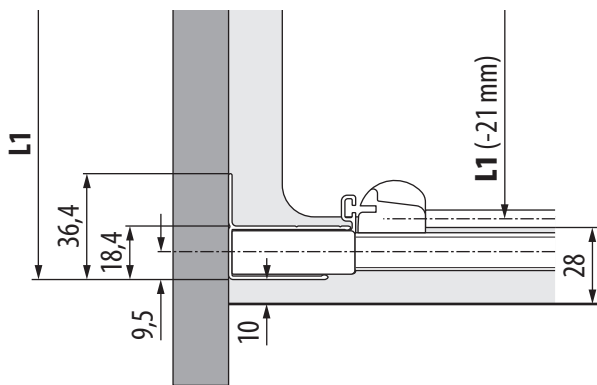
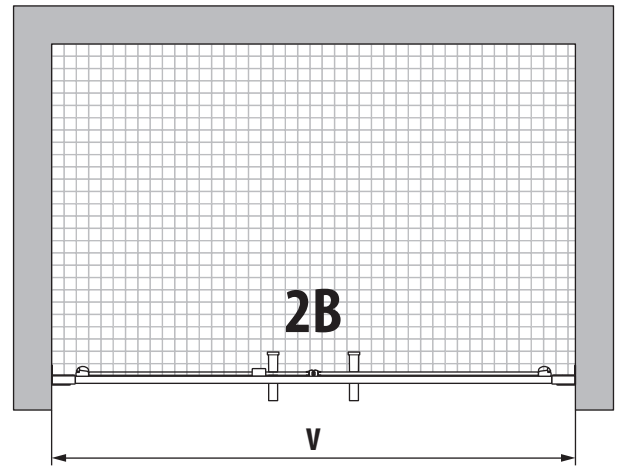
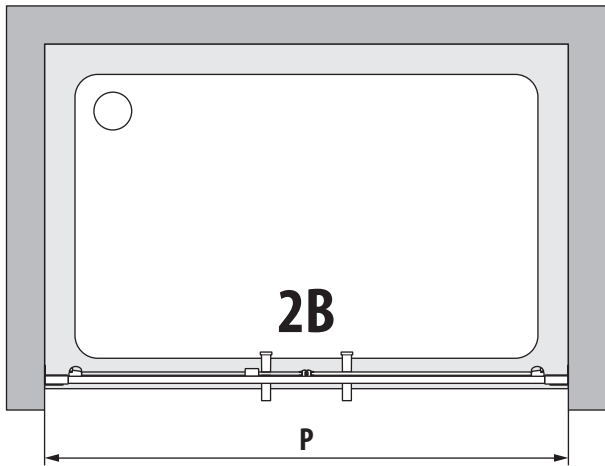


<hr/> <hr/> <hr/> <hr/>	<hr/> <hr/> <hr/> <hr/>
-------------------------	-------------------------

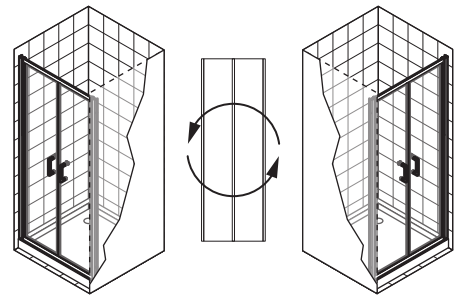
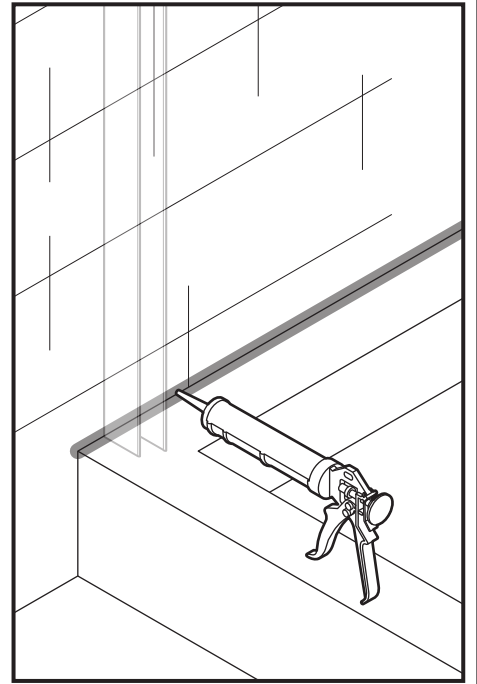
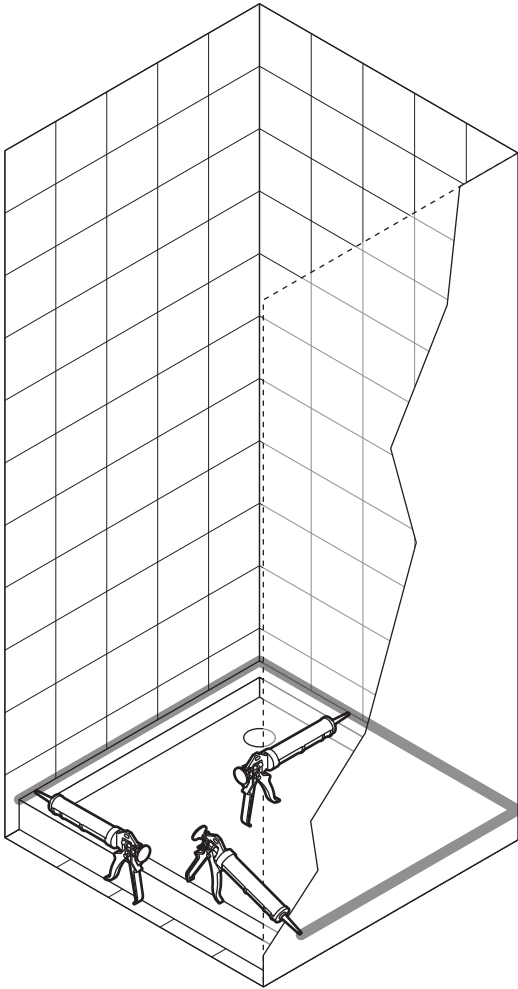


2B	P mm
56	560-620
66	660-720
72	720-780
76	760-820
86	860-920
96	960-1020

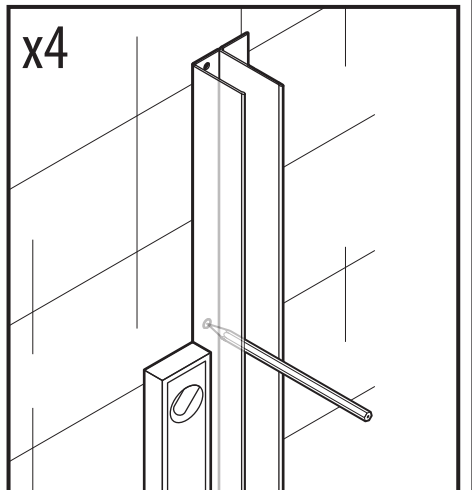
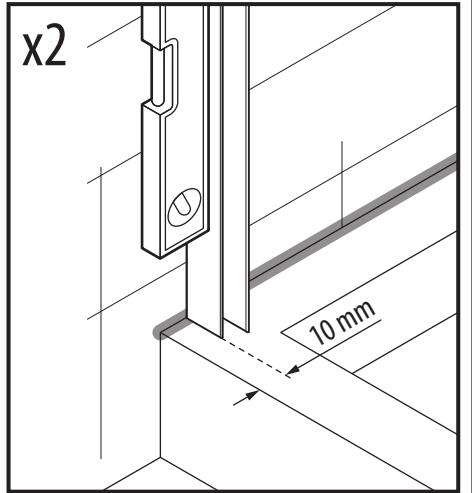
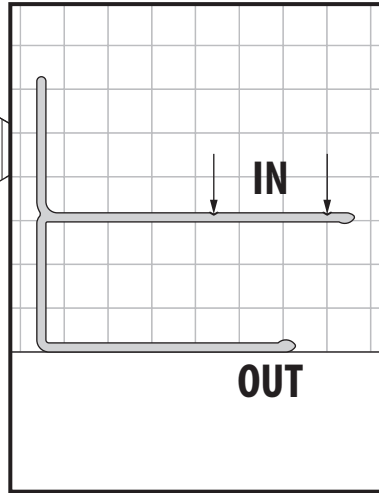
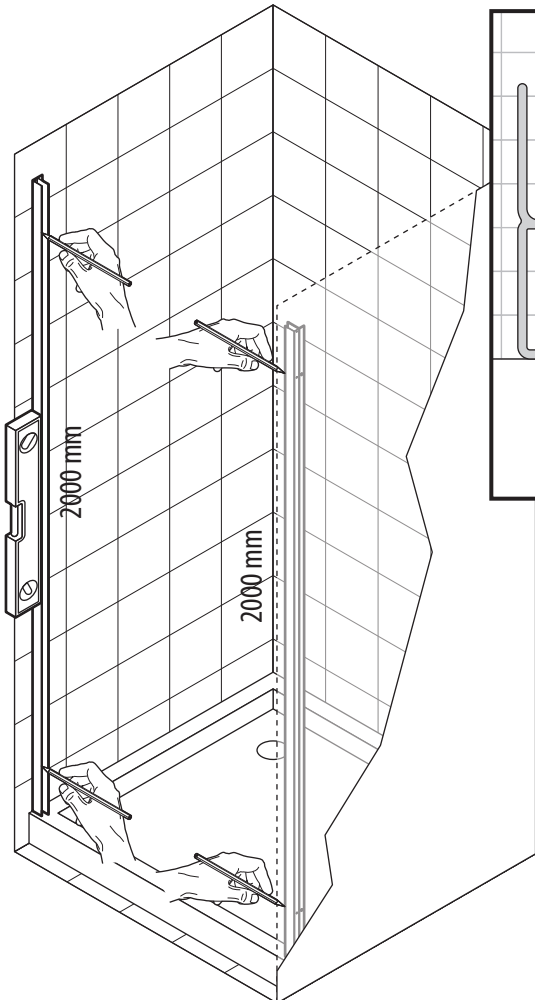
2B	V mm
56	560-620
66	660-720
72	720-780
76	760-820
86	860-920
96	960-1020



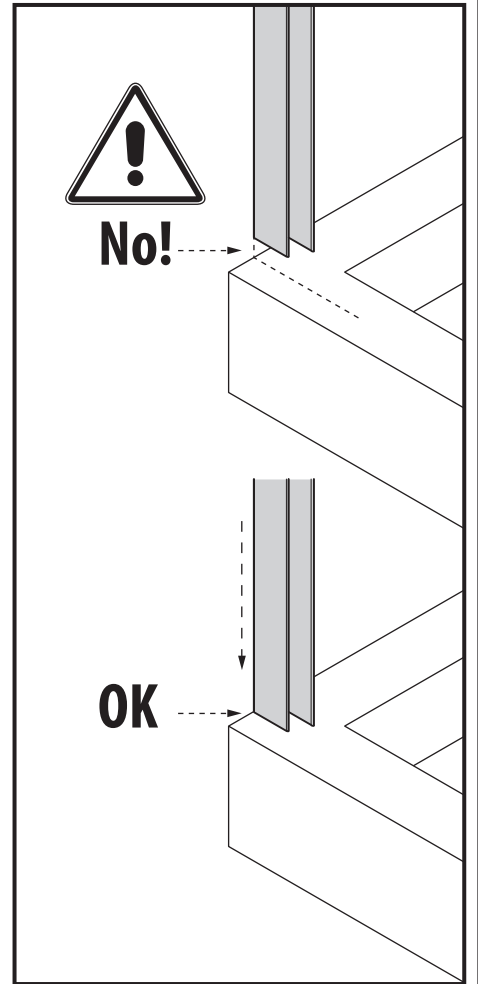
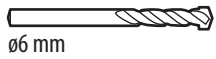
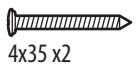
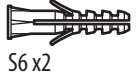
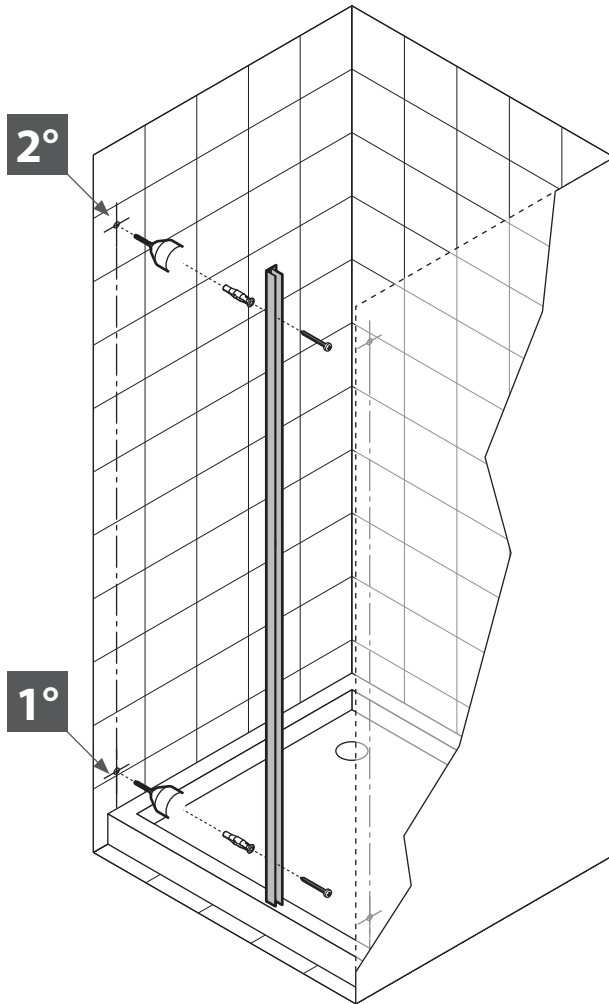
1



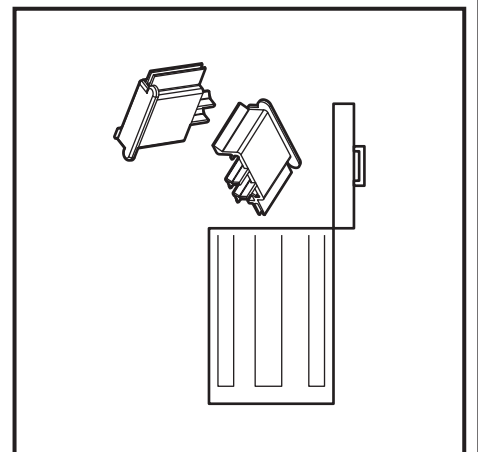
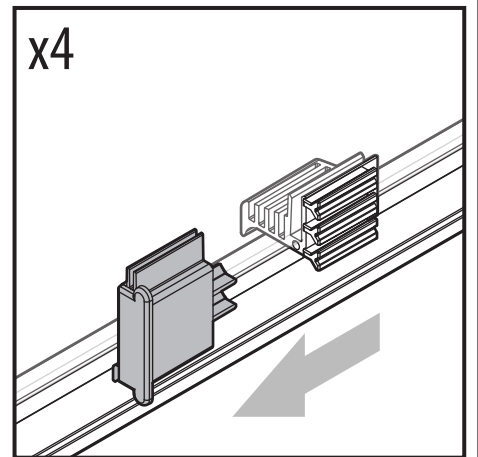
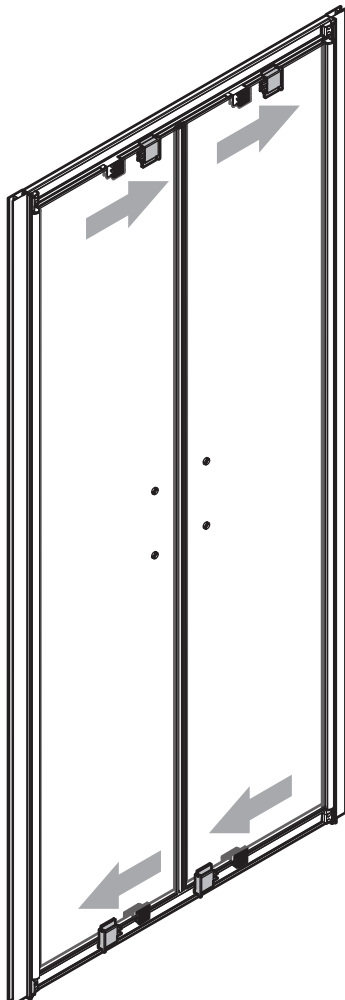
2



3

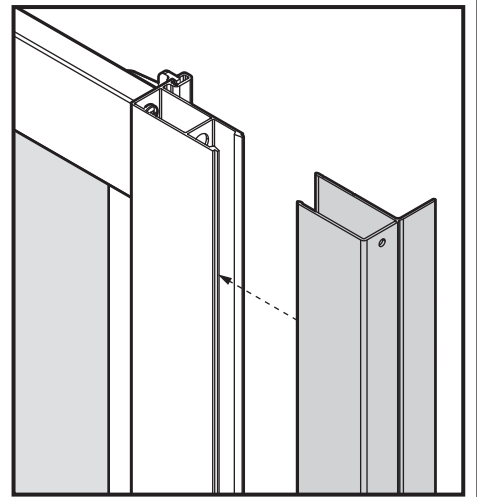
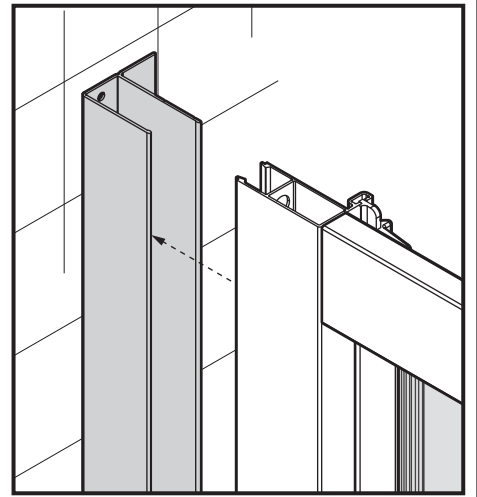
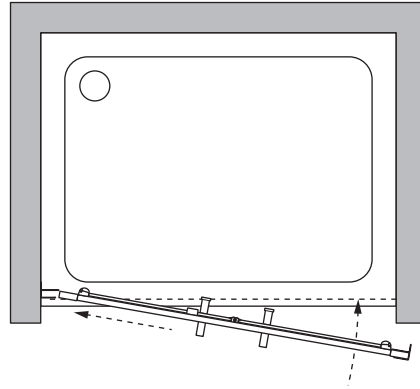
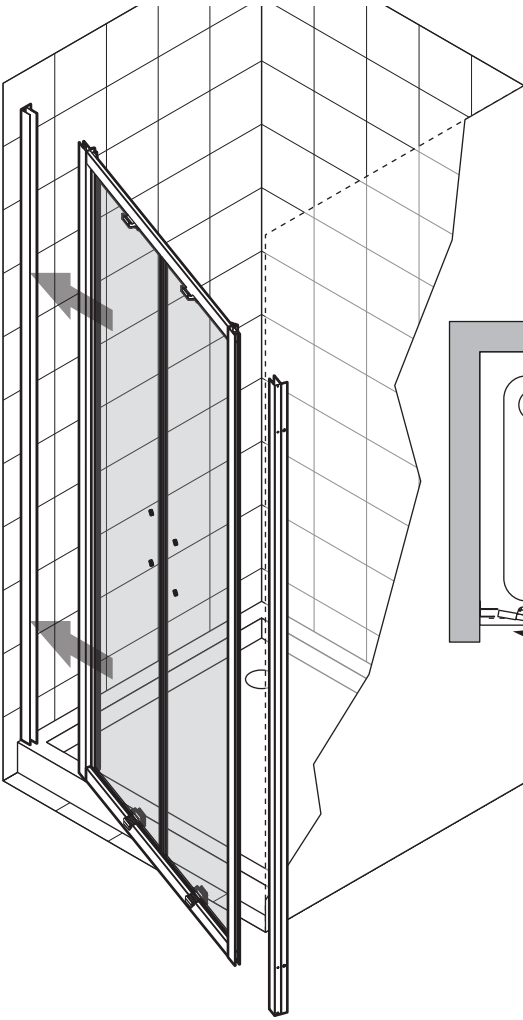


4

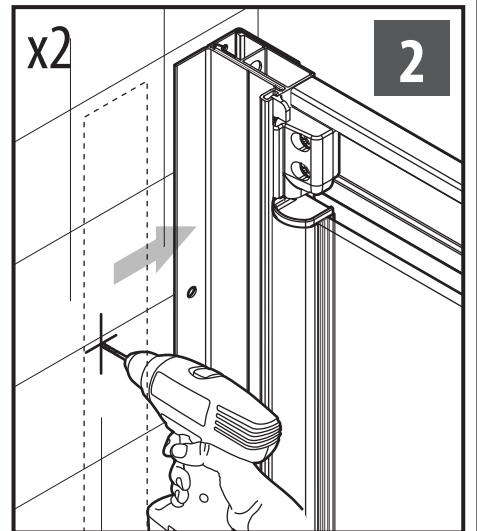
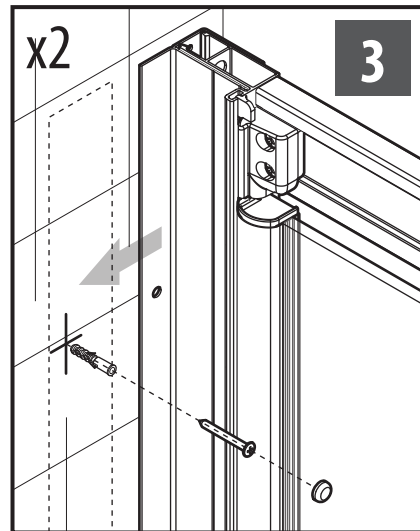
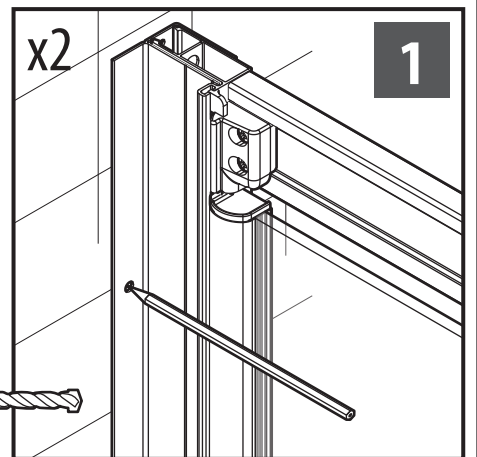
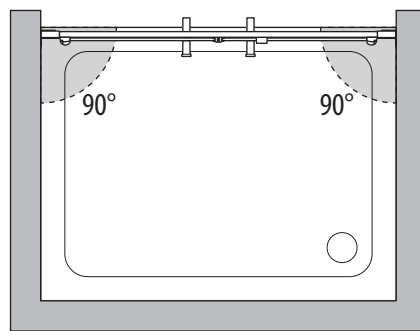
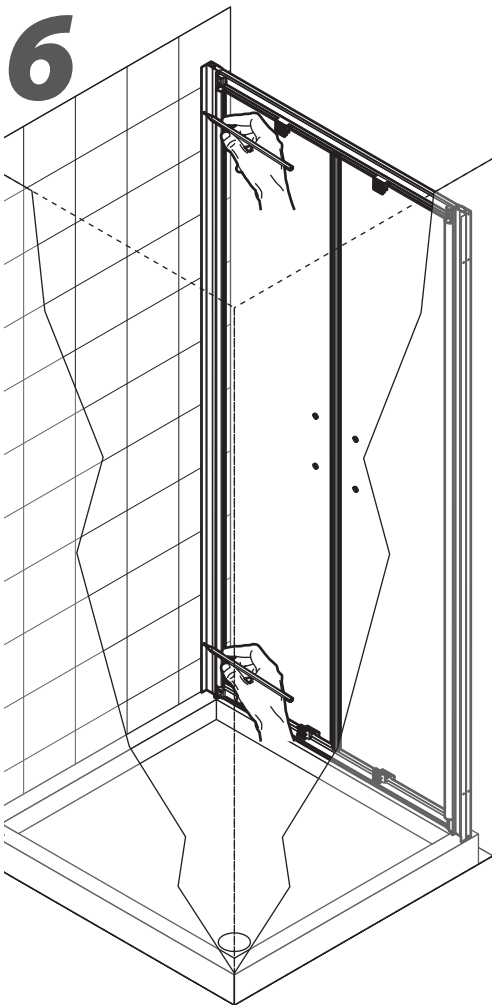


5

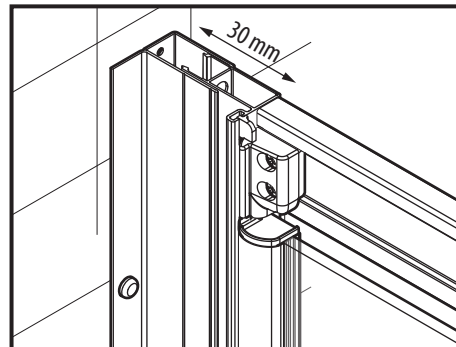
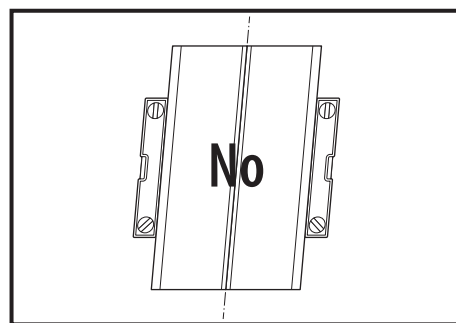
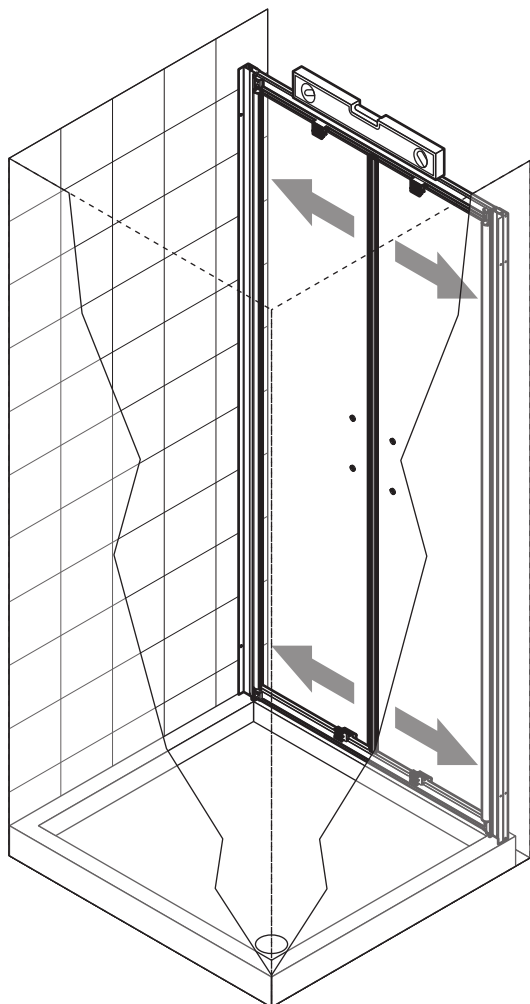
5



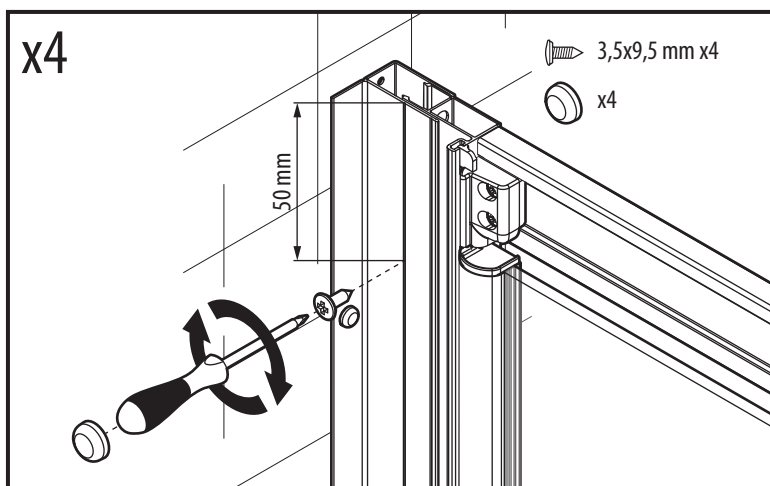
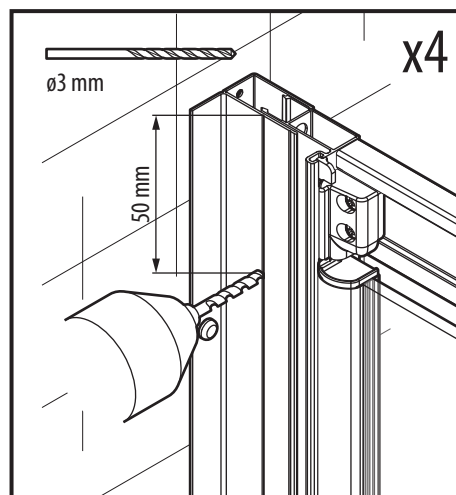
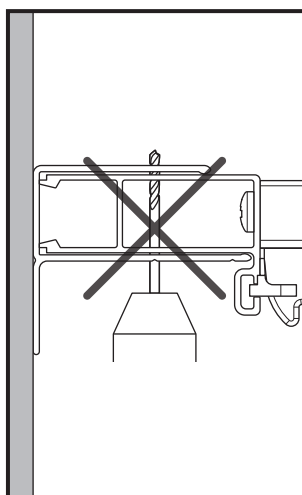
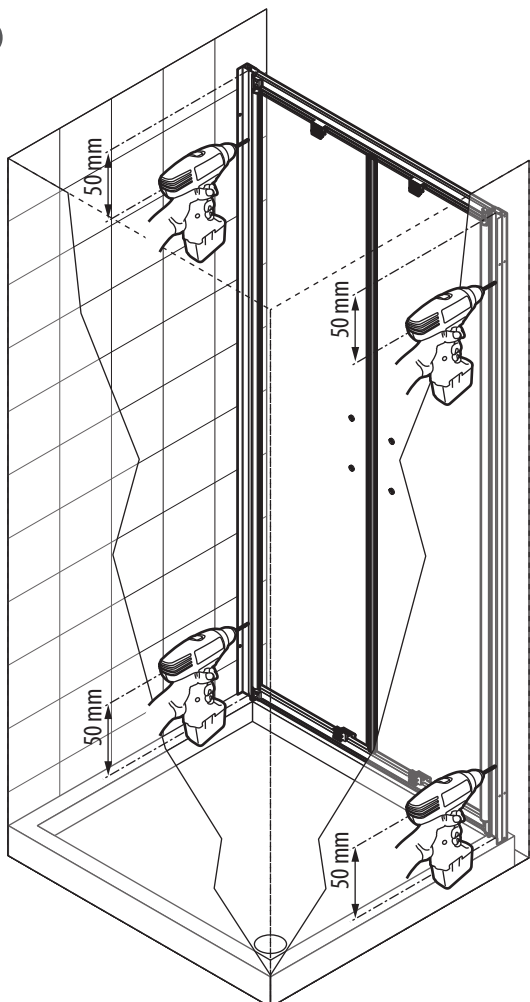
6



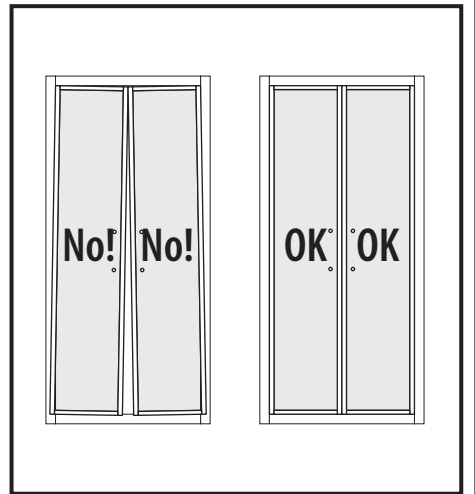
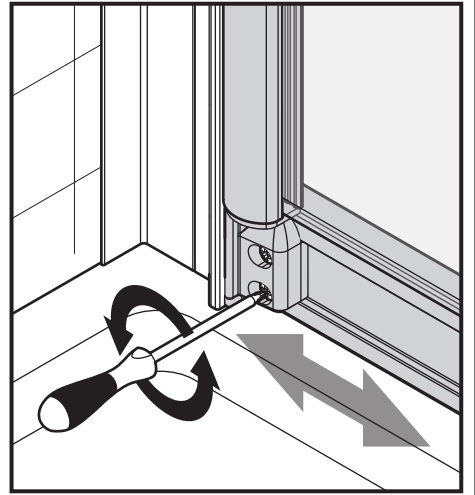
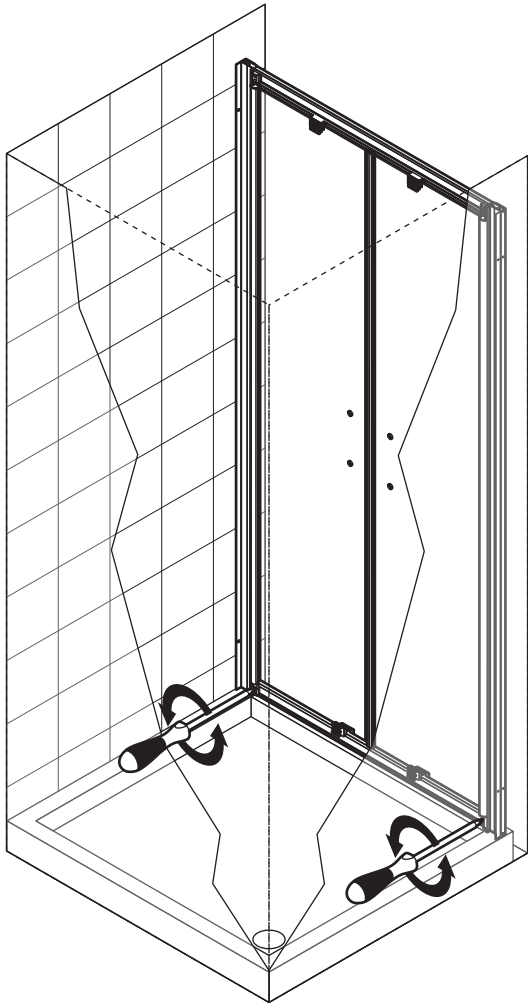
7



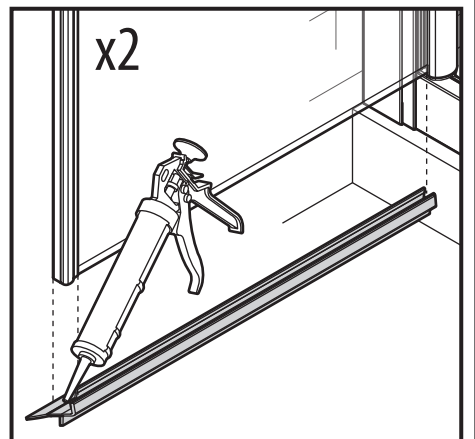
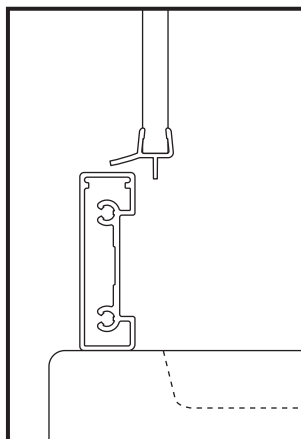
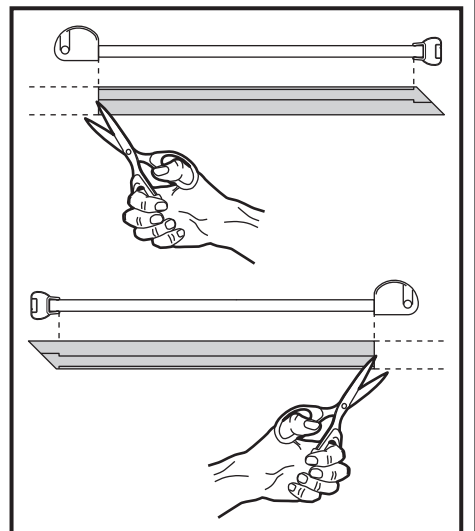
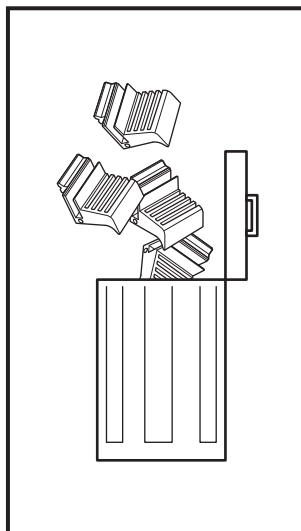
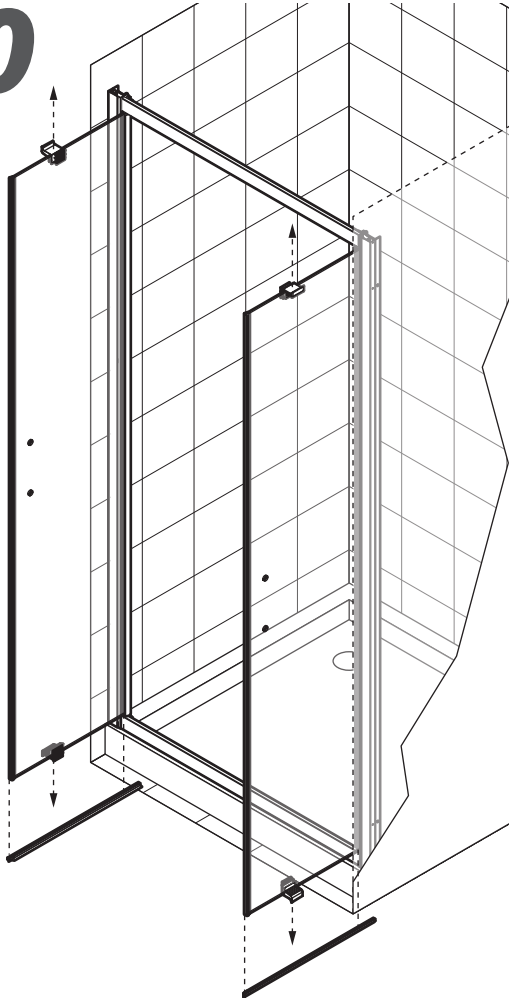
8



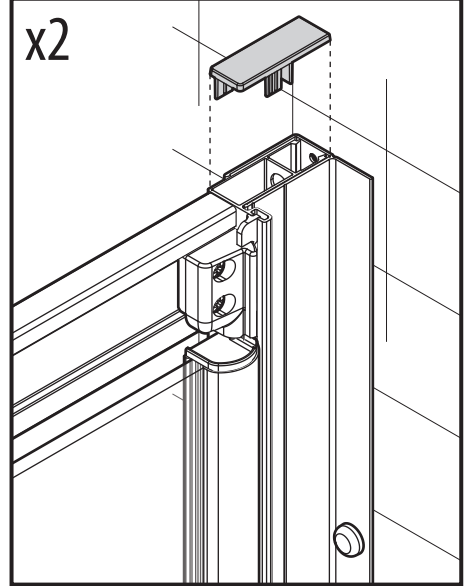
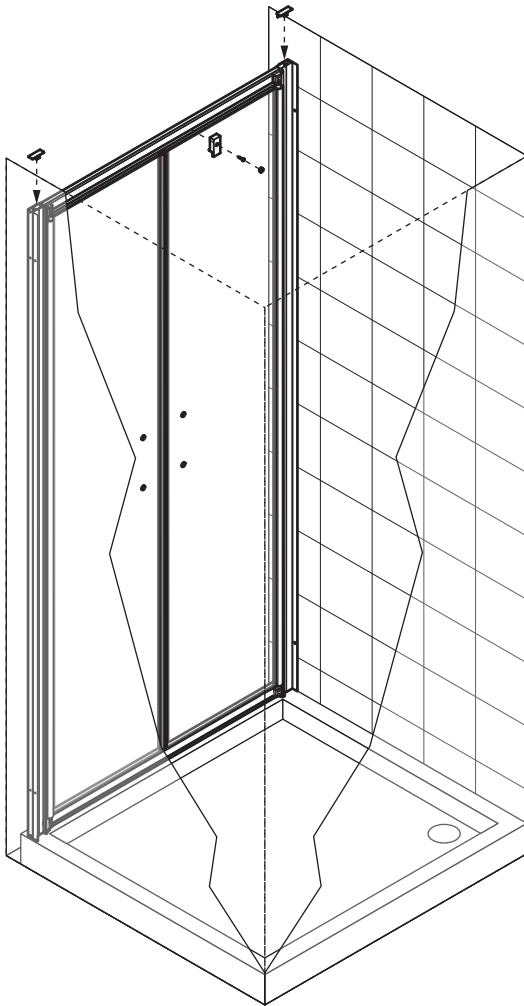
9



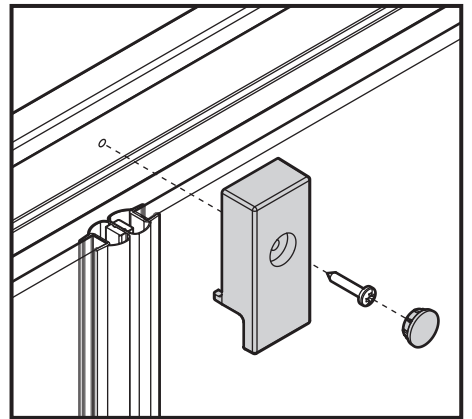
10



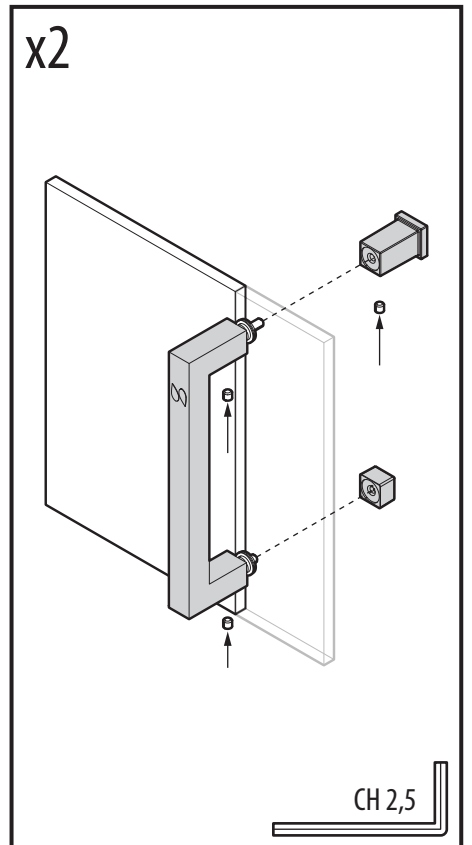
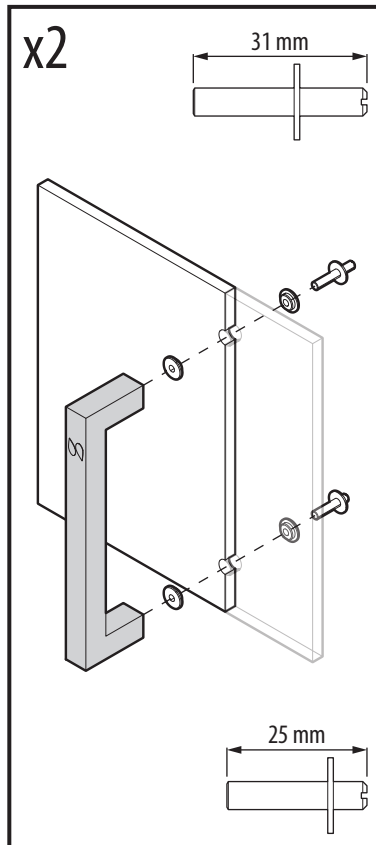
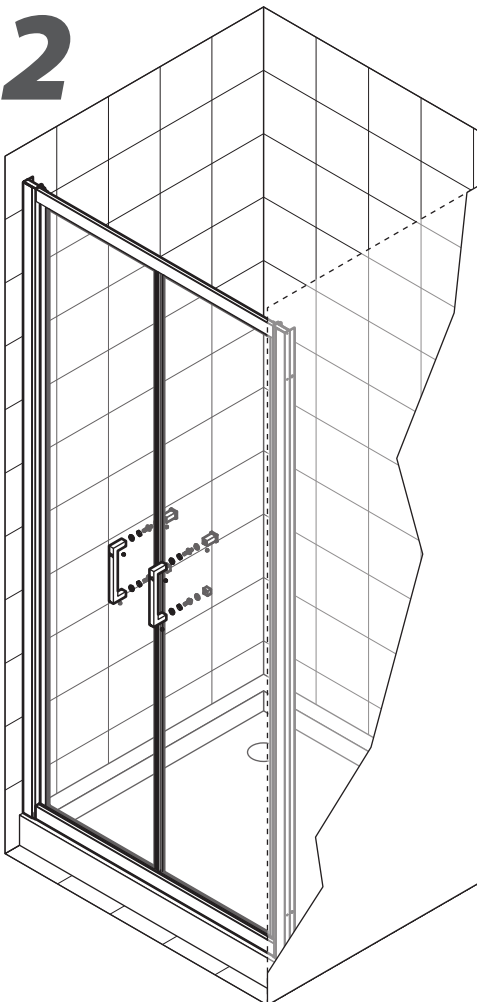
11



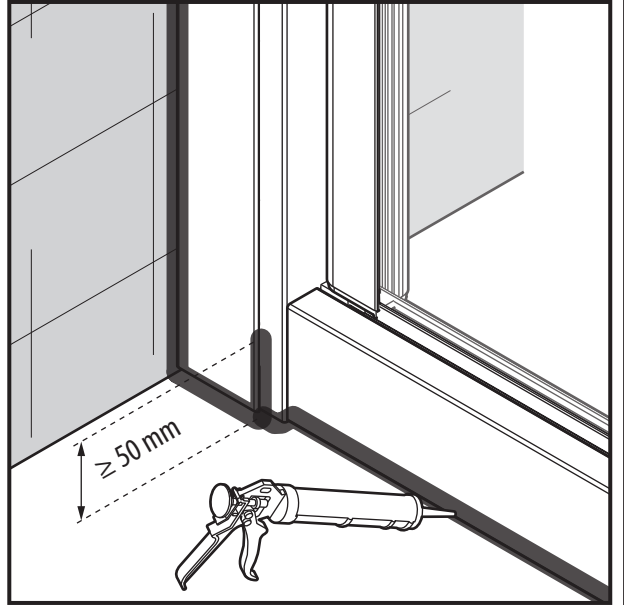
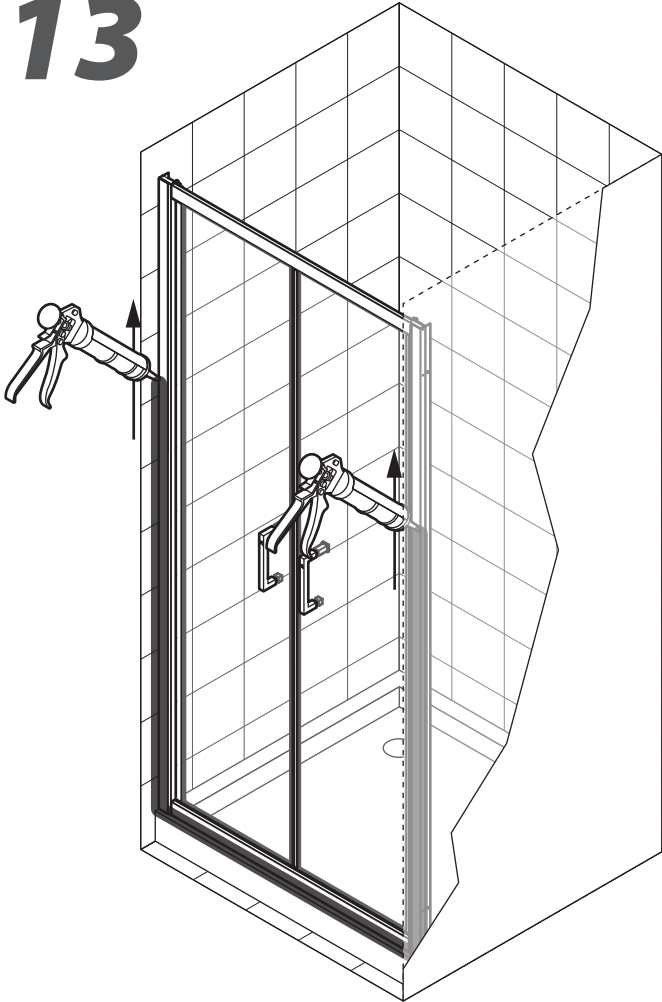
3,5x19 x1



12



13



14

