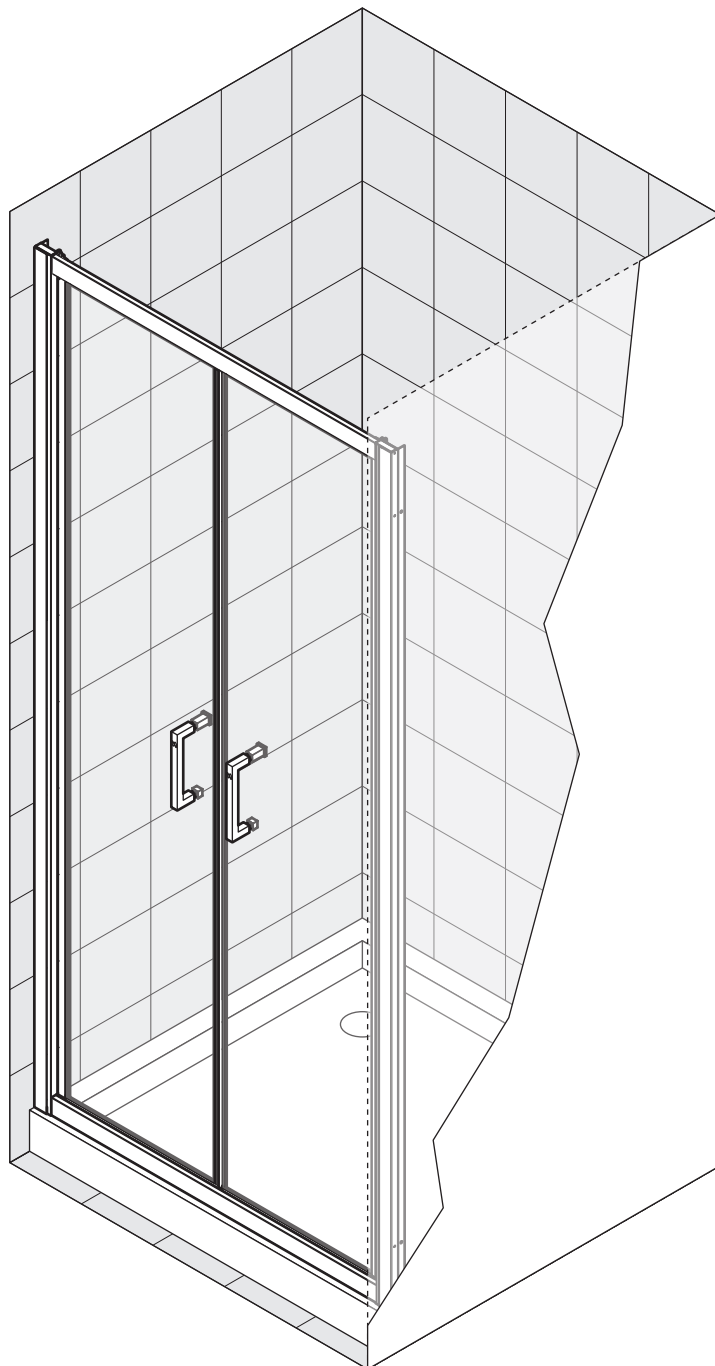
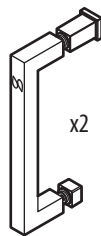
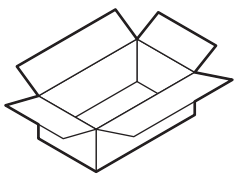
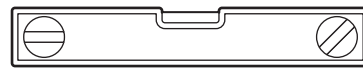
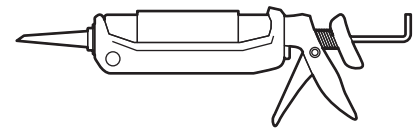
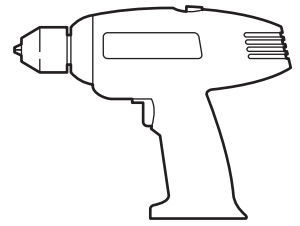
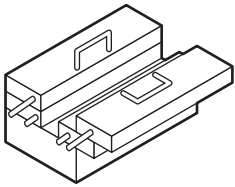


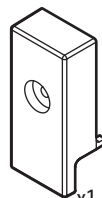
2B



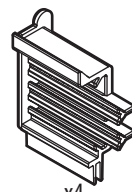
<hr/> <hr/> <hr/> <hr/>	<hr/> <hr/> <hr/> <hr/>
-------------------------	-------------------------



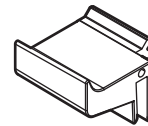
x1



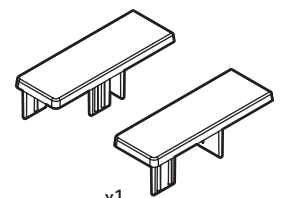
x1



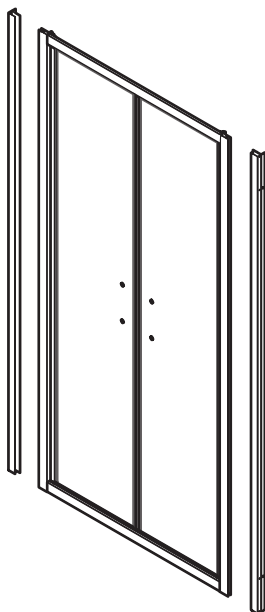
x4



x4



x1



S6 x4



3,5x19 x1



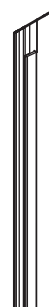
3,5x9,5 x4



4x35 x2 x4



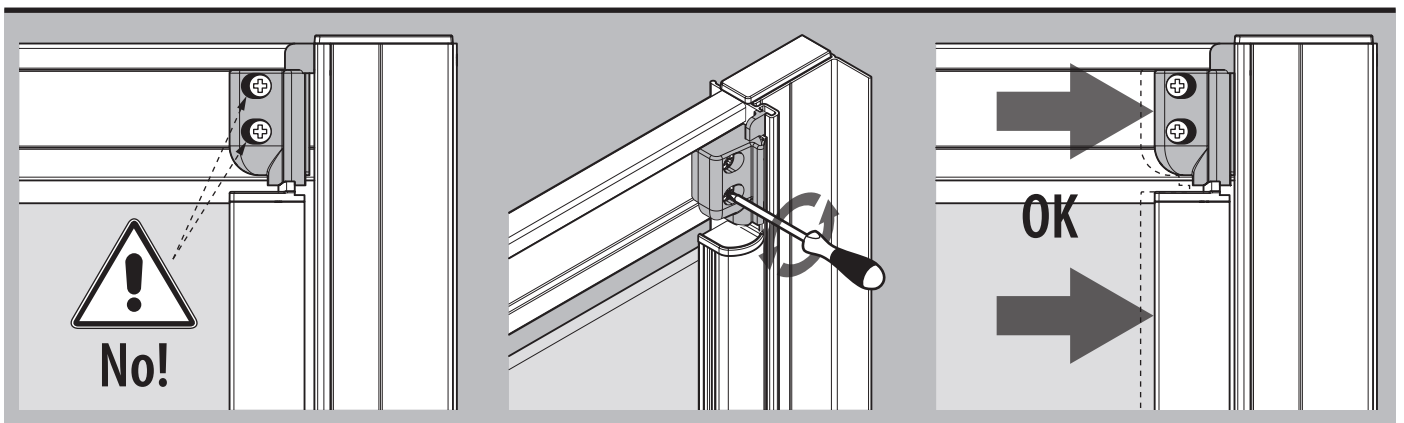
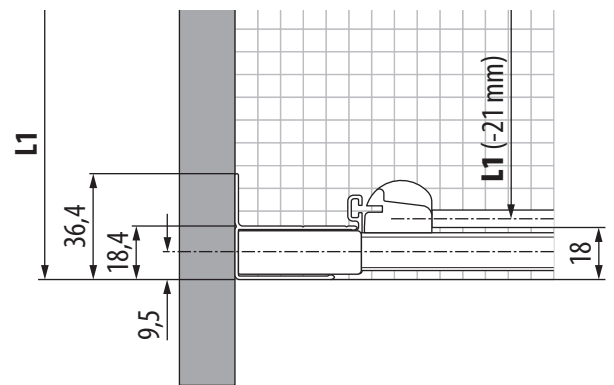
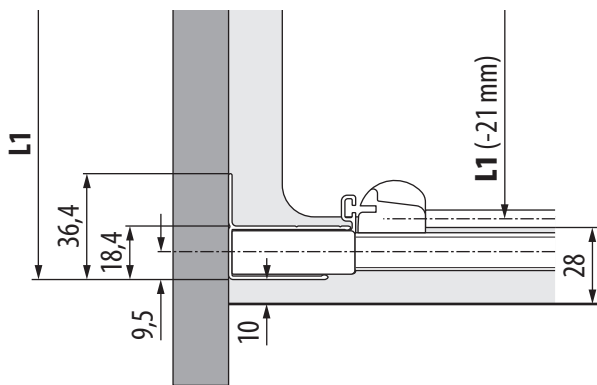
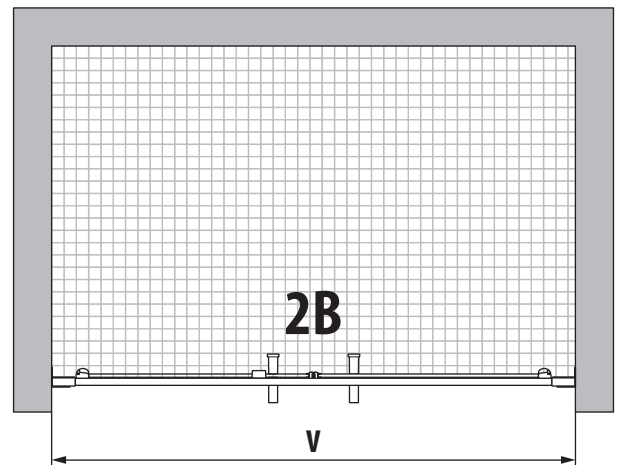
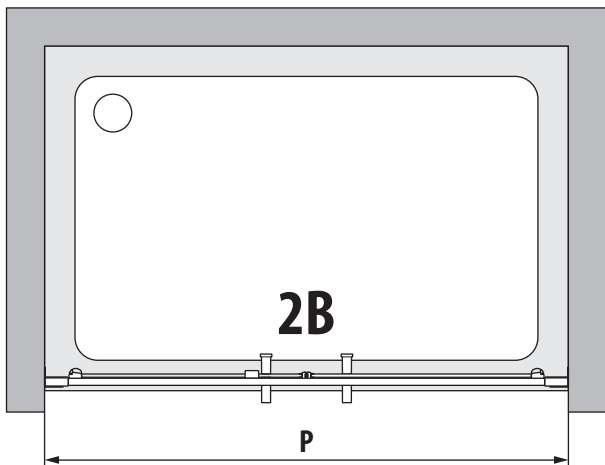
x6



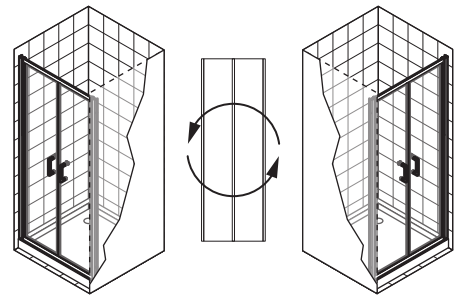
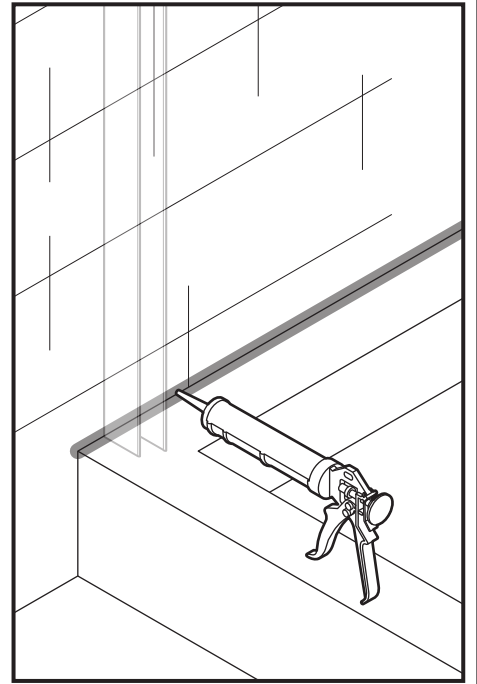
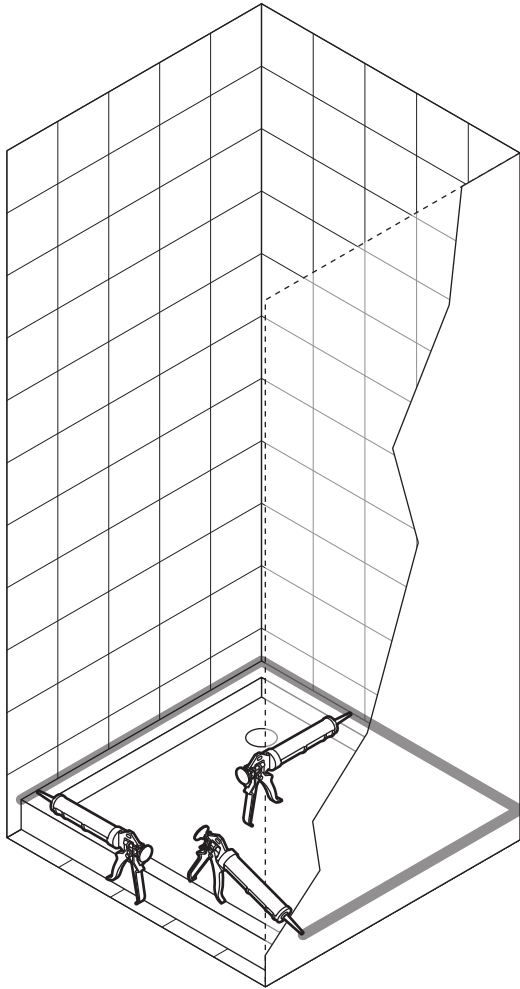
x1

2B	P mm
66	660-720
72	720-780
76	760-820
86	860-920
96	960-1020

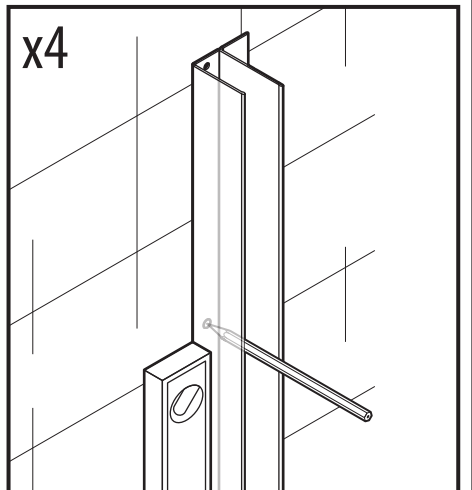
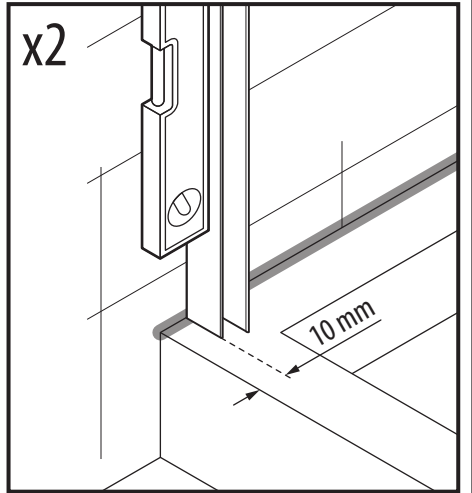
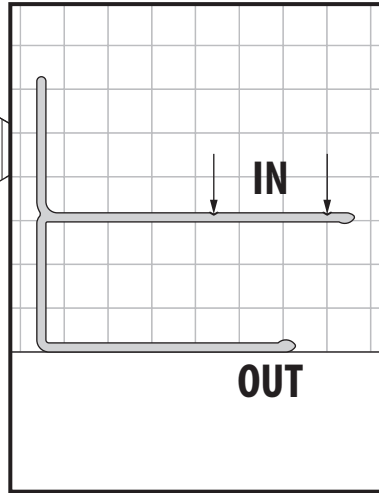
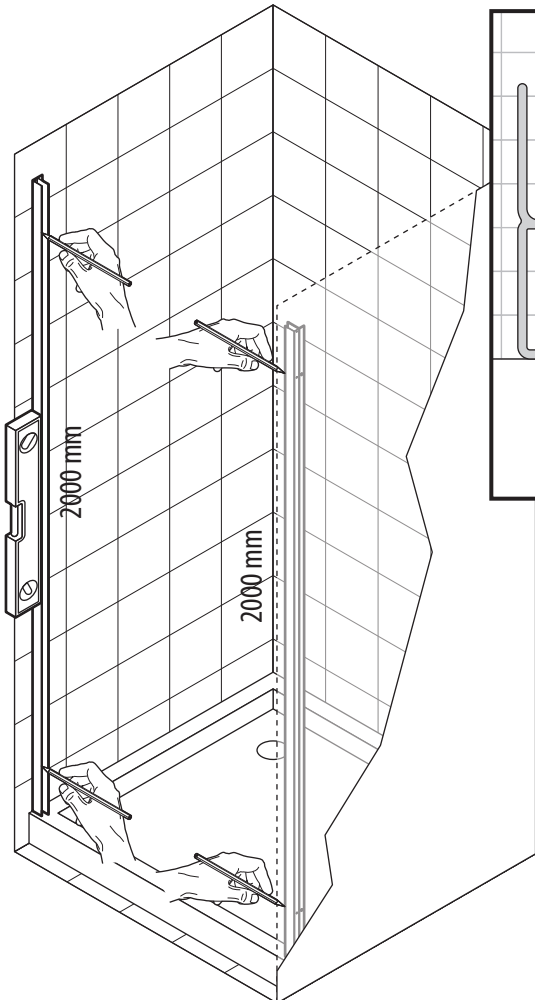
2B	V mm
66	660-720
72	720-780
76	760-820
86	860-920
96	960-1020



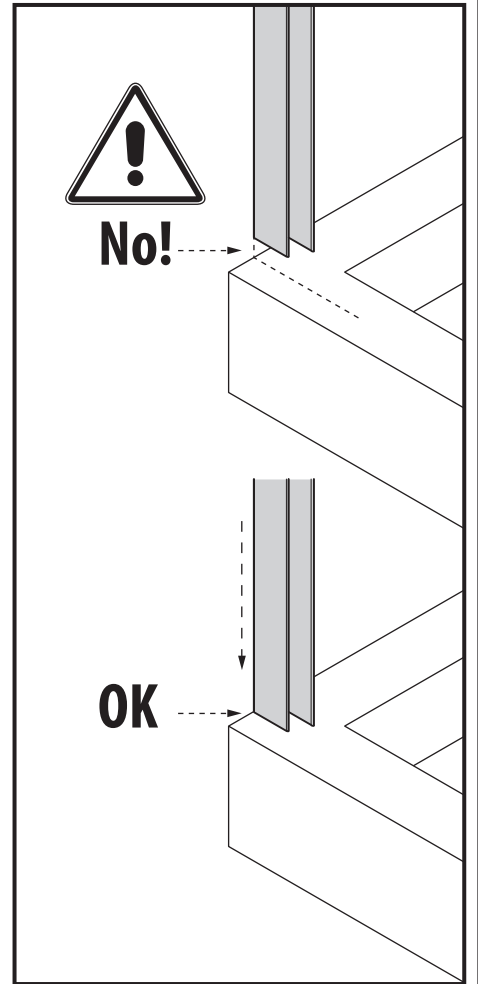
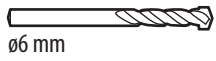
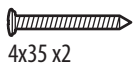
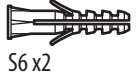
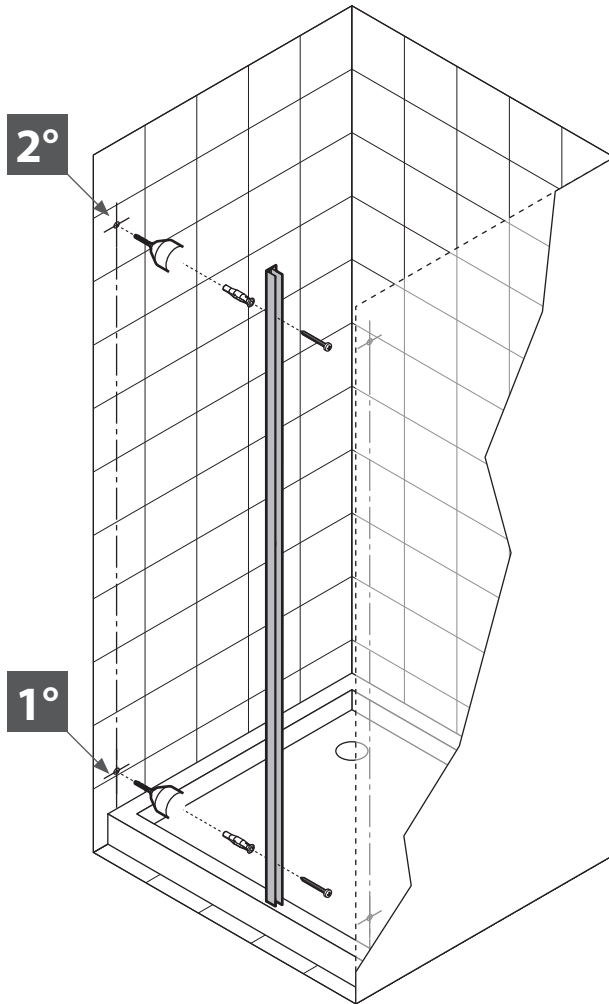
# 1



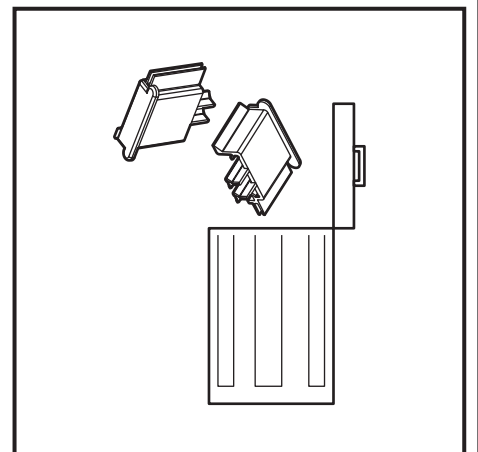
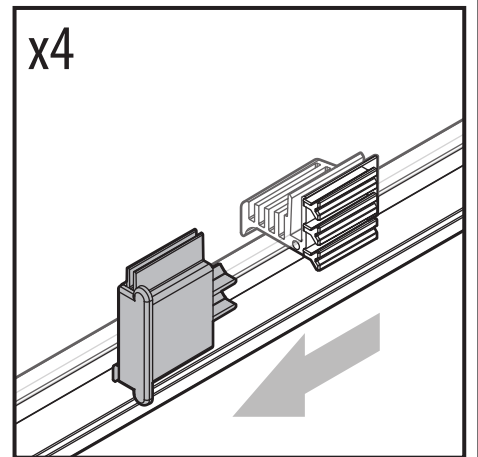
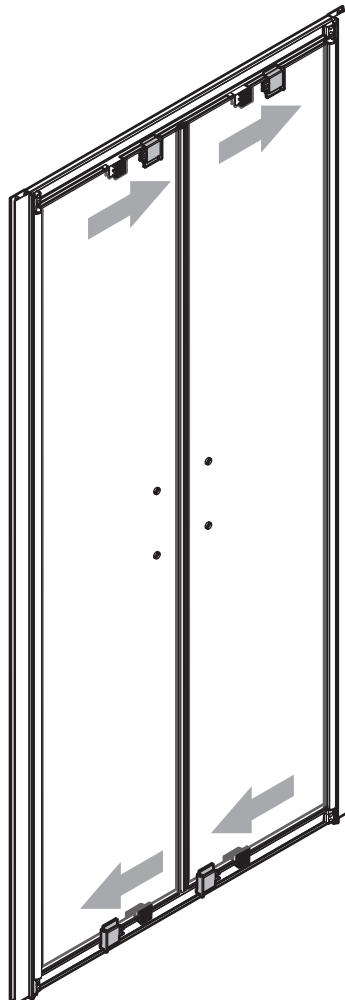
# 2



# 3

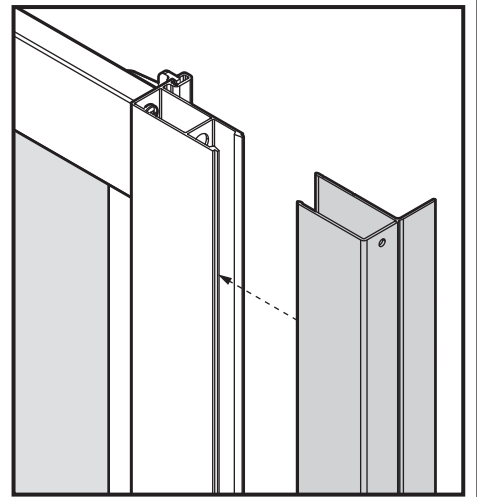
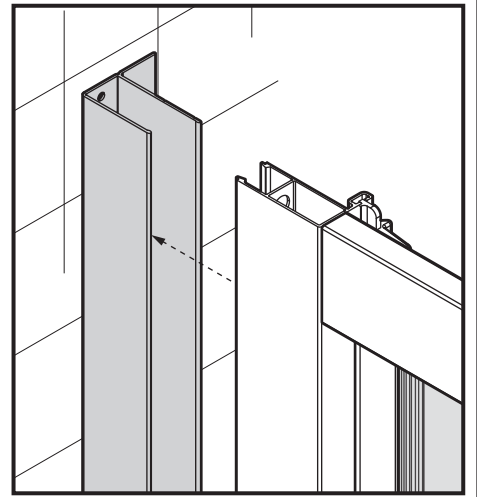
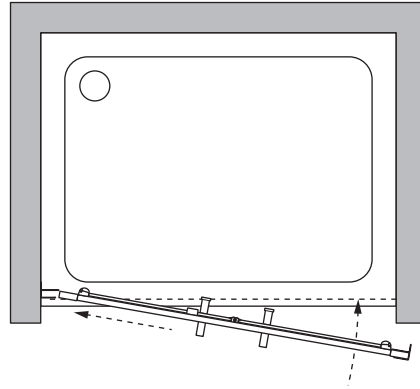
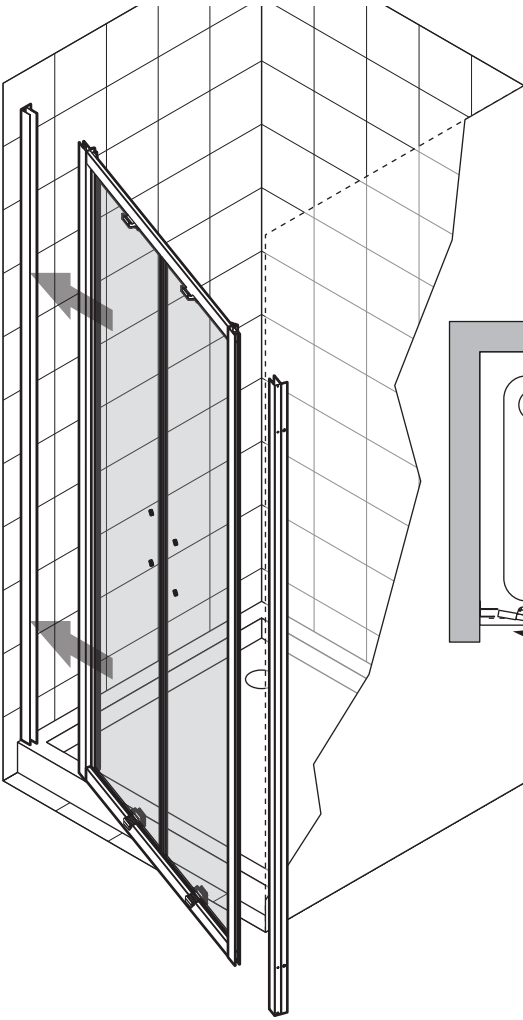


# 4

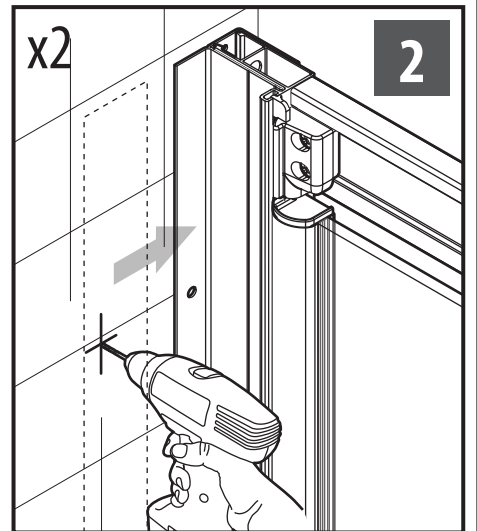
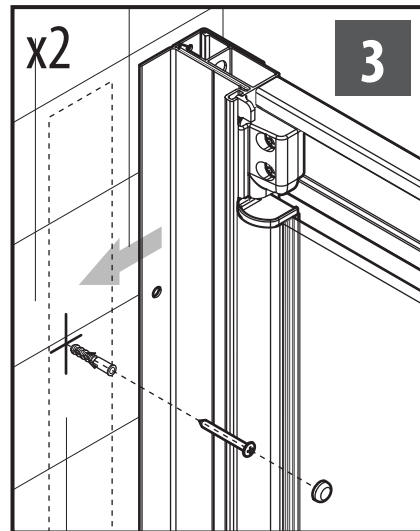
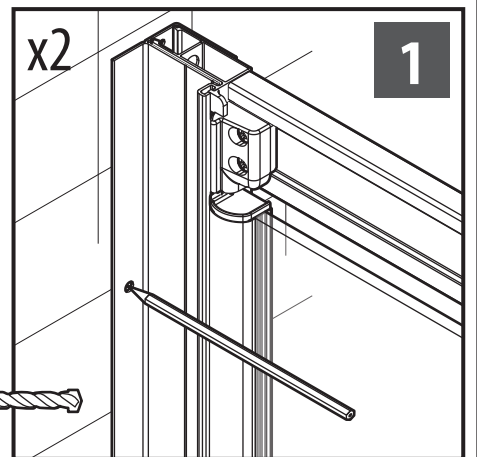
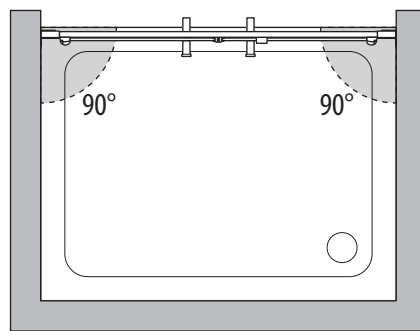
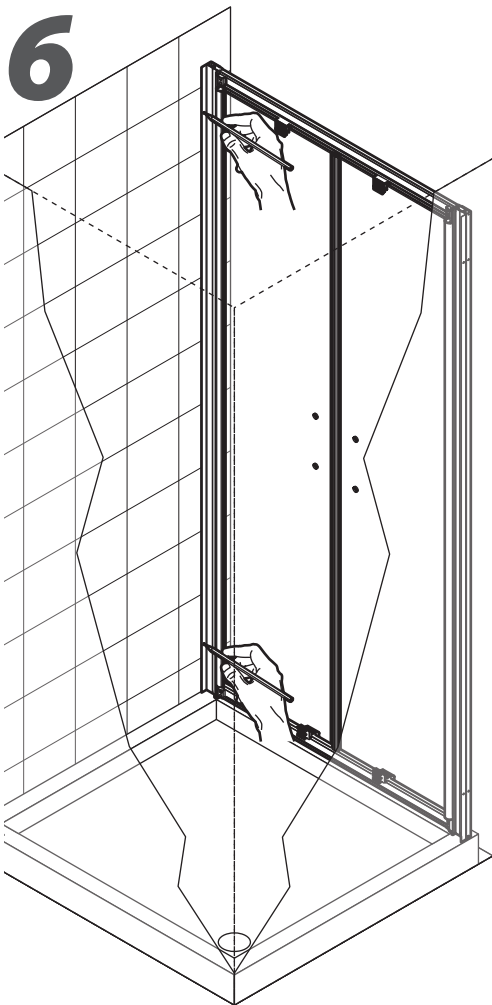


5

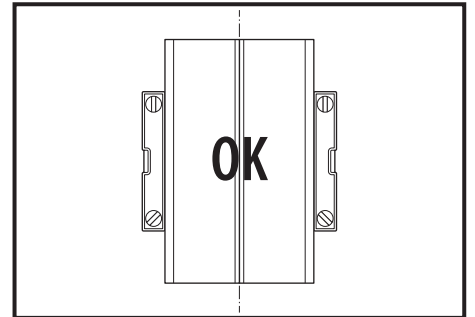
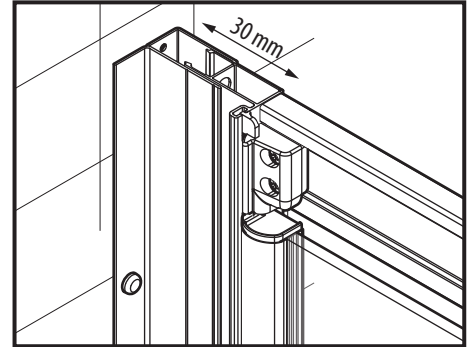
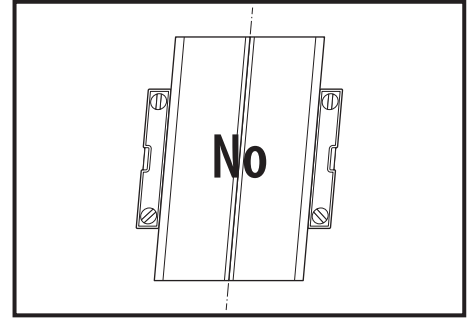
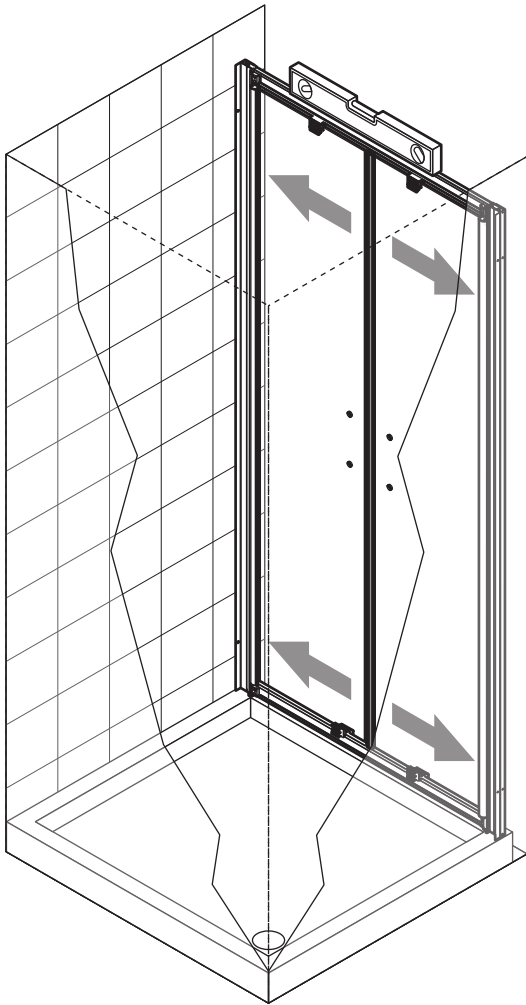
# 5



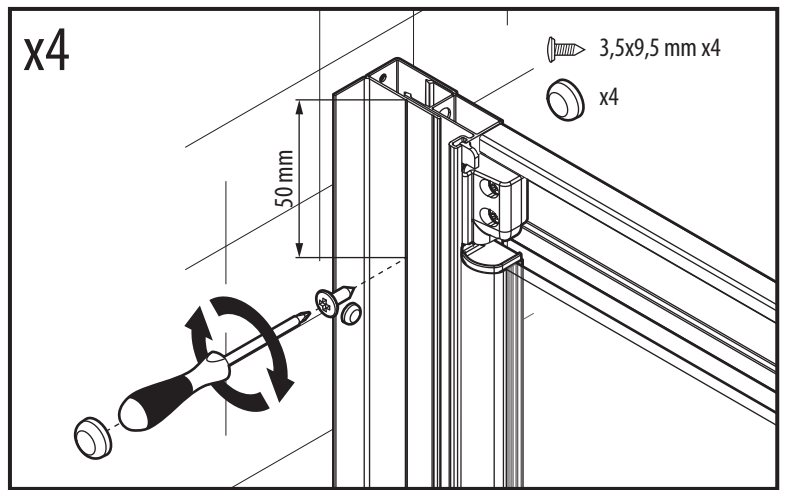
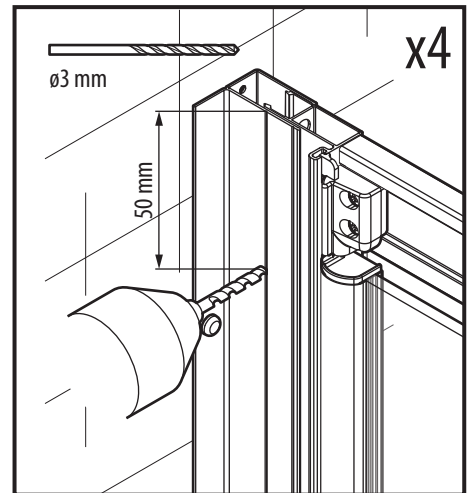
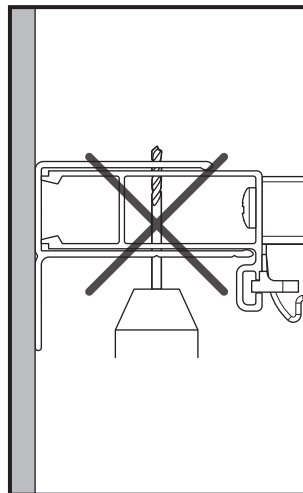
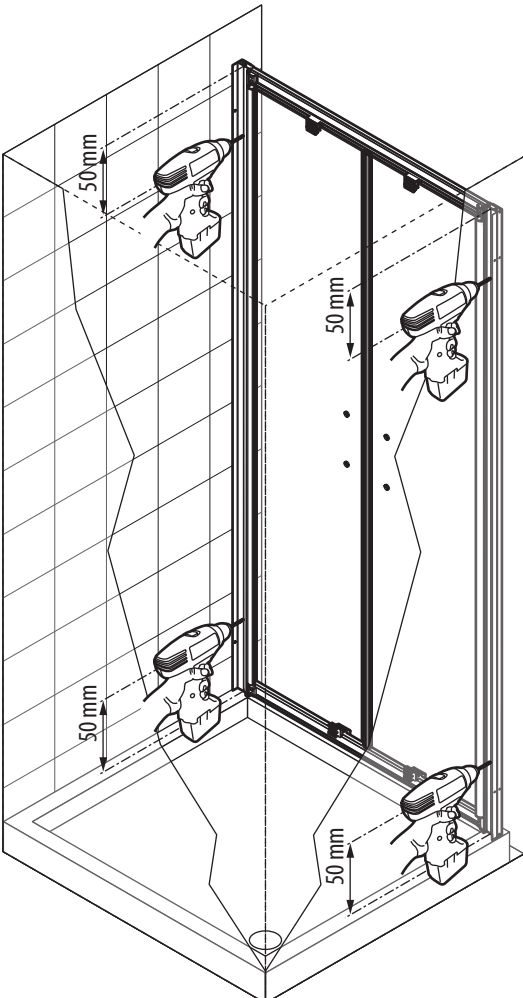
# 6



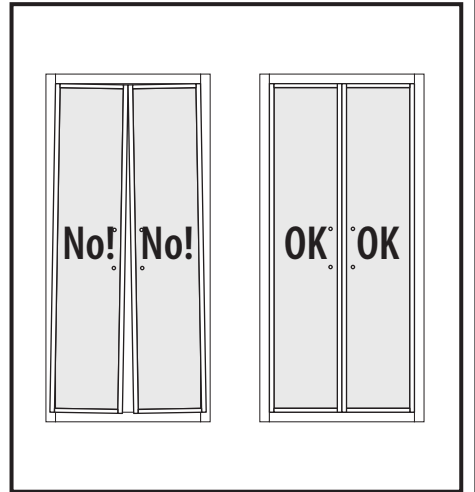
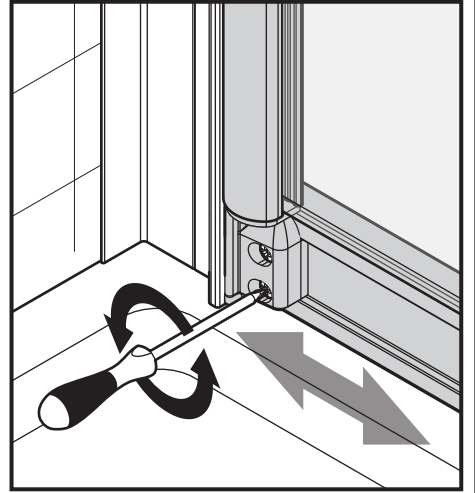
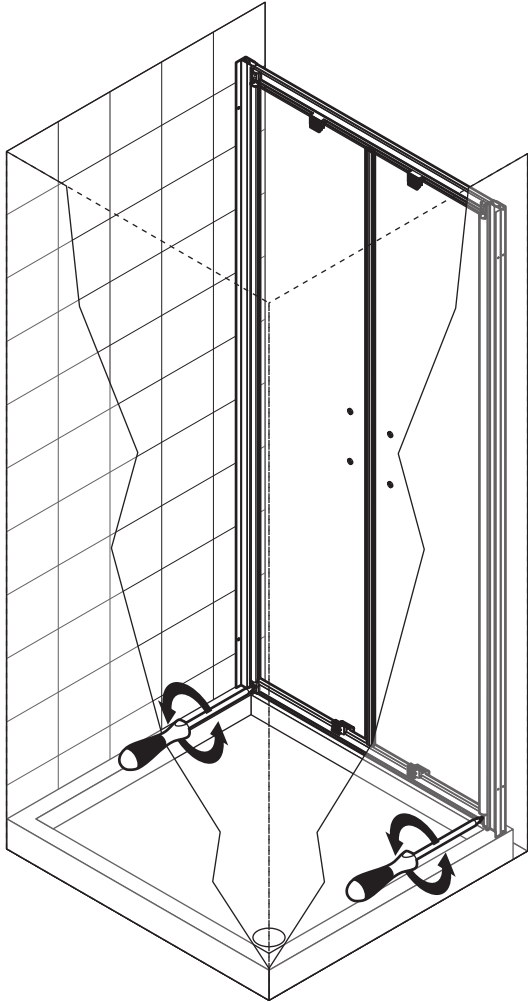
7



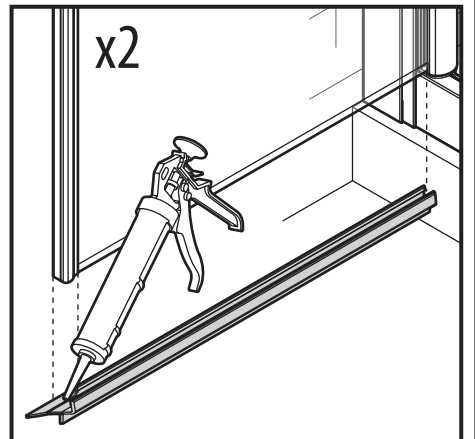
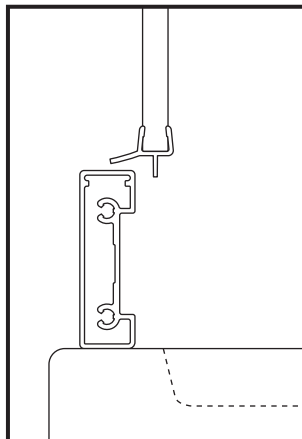
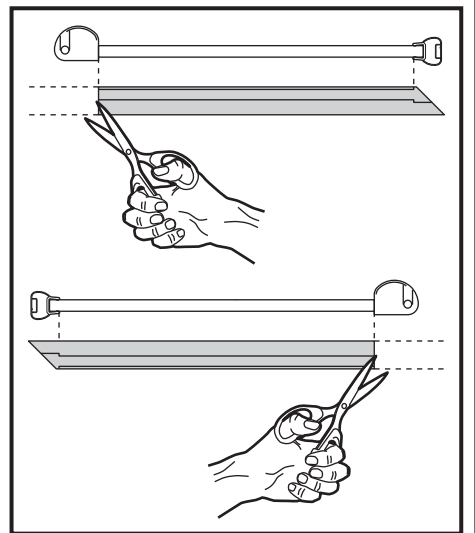
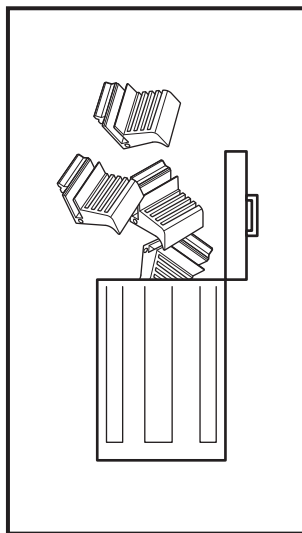
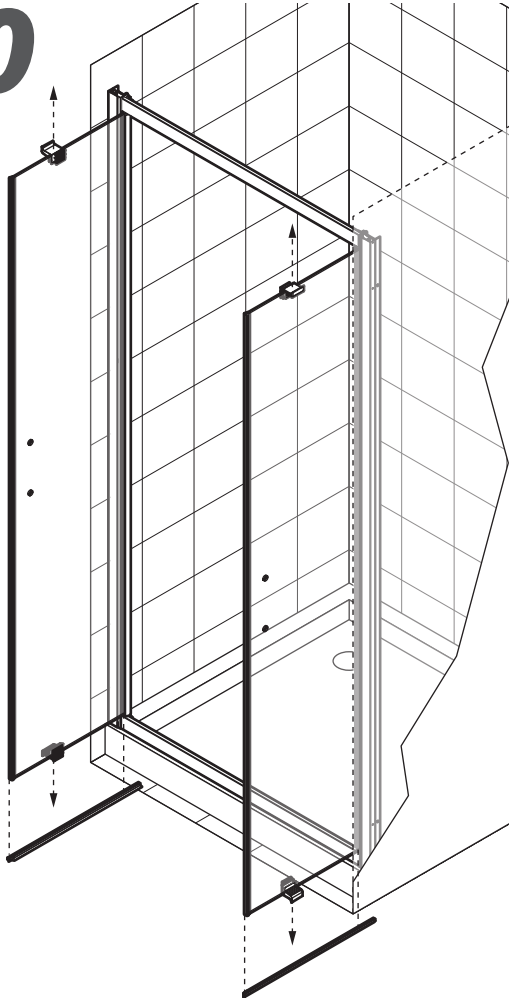
8



9

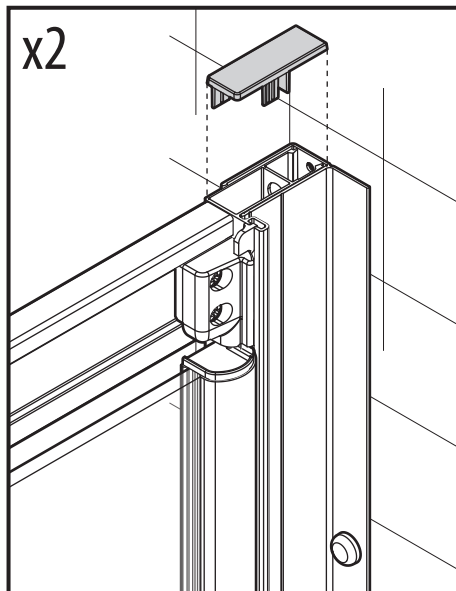
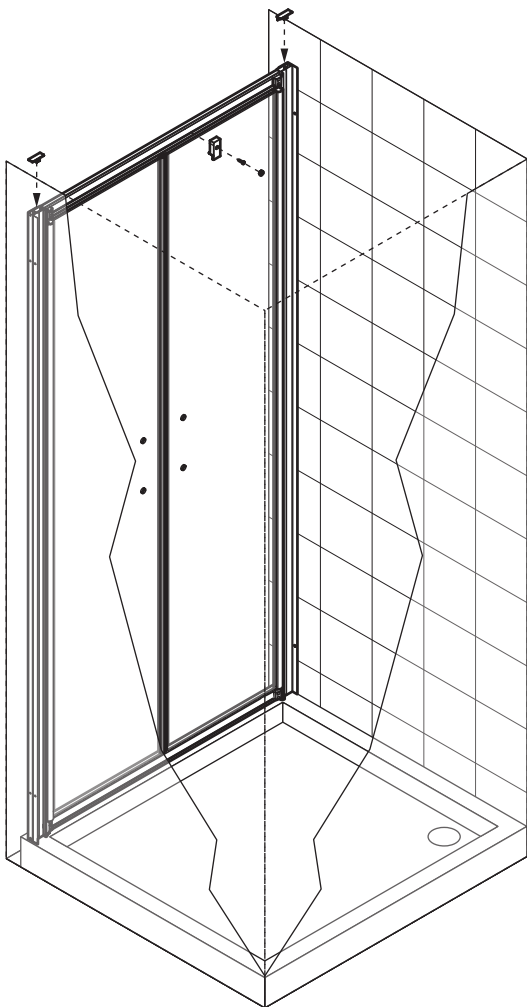


10

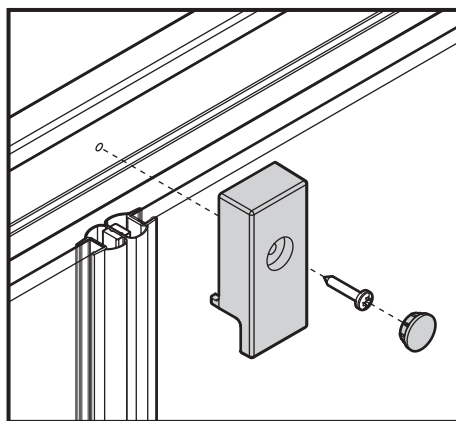




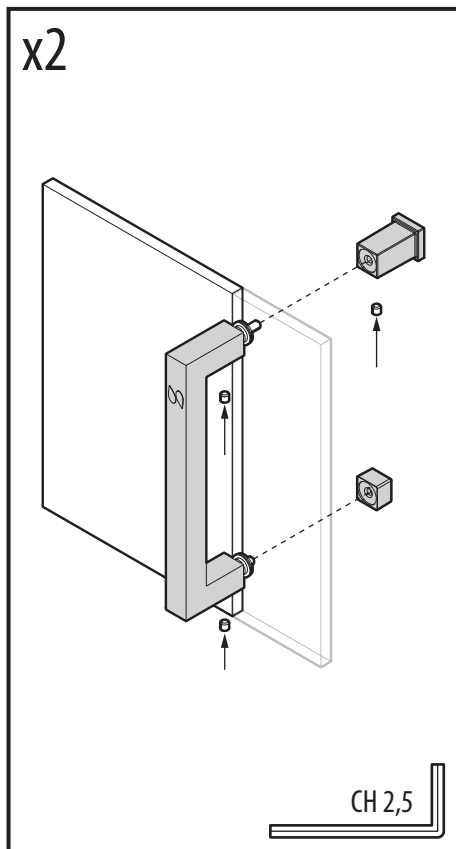
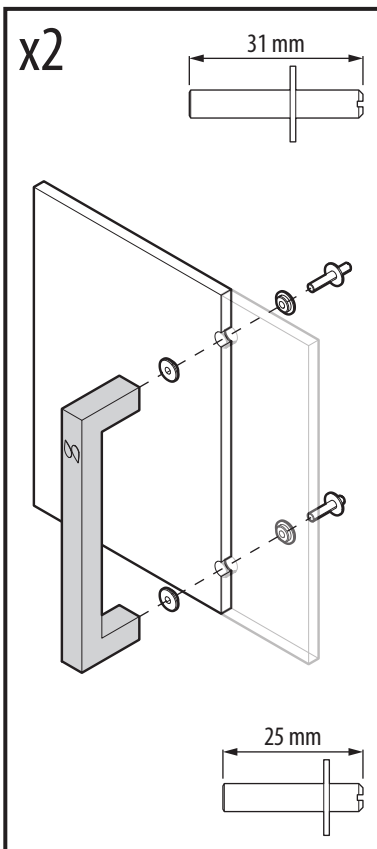
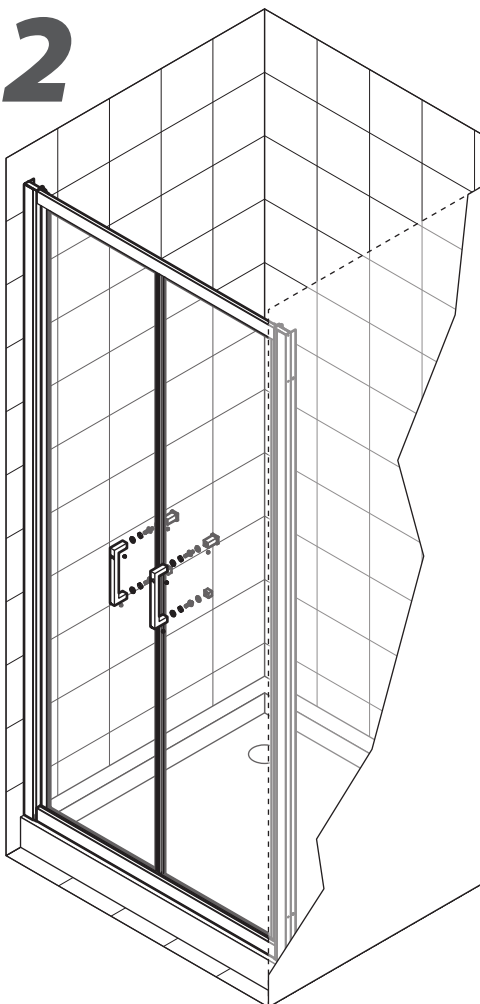
# 11



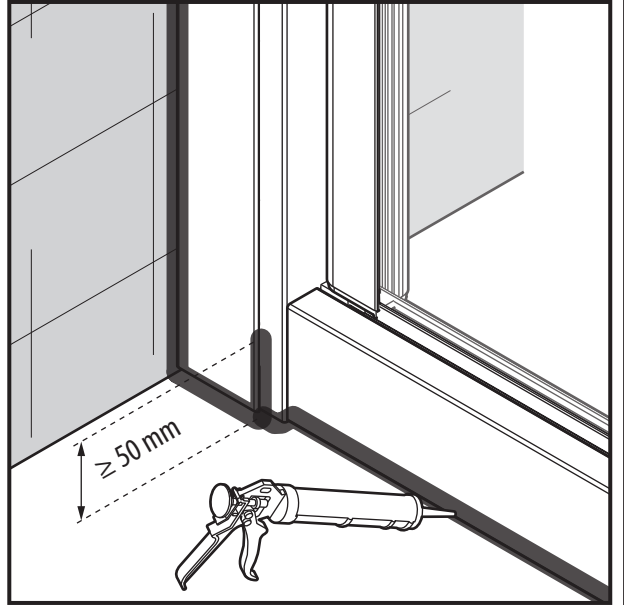
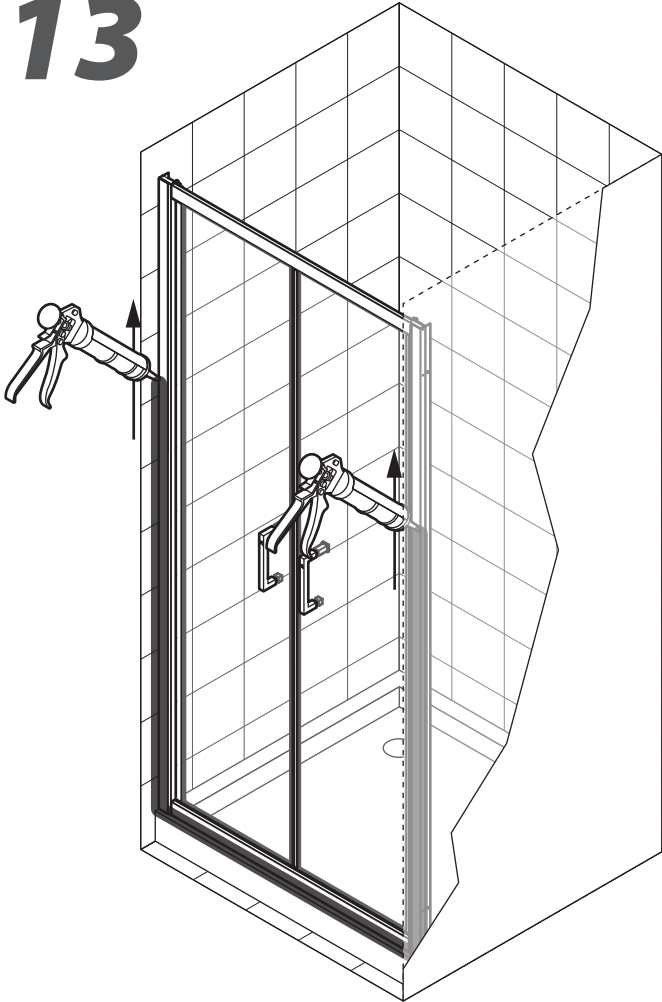
3,5x19 x1



# 12



# 13



# 14

