

36 712 892 Product version from 4/1/2024



- 190mm projection
- fixed spout
- circular, air-enriched flow
- hole diameter valve 35 mm
- hole diameter spout 35 mm
- rosette Ø 55 mm
- max. flow 7 l/min
- lead-free
- WRAS
- This product can help a building meet the requirements of Green Building Rating Systems, e.g. LEED®, BREEAM®, DGNB

|   |                                |               |
|---|--------------------------------|---------------|
|    | Platinum                       | 36 712 892-08 |
|    | Chrome                         | 36 712 892-00 |
|    | Brushed Platinum               | 36 712 892-06 |
|    | Dark Chrome                    | 36 712 892-19 |
|    | Brushed Durabronze (23kt Gold) | 36 712 892-28 |
|    | Matte Black                    | 36 712 892-33 |
|    | Brushed Gold (PVD)             | 36 712 892-37 |
|    | Brushed Dark Brass (PVD)       | 36 712 892-39 |
|    | Brushed Bronze (PVD)           | 36 712 892-42 |
|   | Brushed Dark Bronze (PVD)      | 36 712 892-43 |
|  | Brushed Champagne (22kt Gold)  | 36 712 892-46 |
|  | Champagne (22kt Gold)          | 36 712 892-47 |
|  | Brushed Chrome                 | 36 712 892-93 |
|  | Brushed Dark Platinum          | 36 712 892-99 |

Required miscellaneous



- Concealed wall-mounted mixer centred spout -** 35 700 970 90
- min. recess depth 85 mm
  - max. recess depth 145 mm

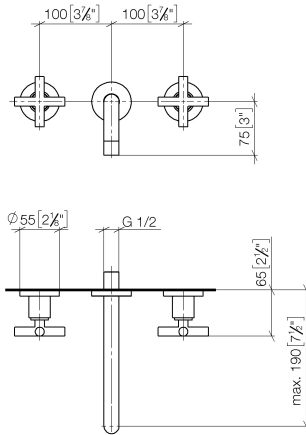
Required miscellaneous



- Concealed wall-mounted mixer variable positioning -** 35 720 970 90
- min. recess depth 85 mm
  - max. recess depth 145 mm

36 712 892 Product version from 4/1/2024

mm [inches]



Flow rate chart



Codes & Standards

|                             |           |            |                        |
|-----------------------------|-----------|------------|------------------------|
| DIN 4109                    | EN 200    | ISO 3822   | Scottish Water Byelaws |
| UK Water Supply Regulations | Ü-Zeichen | VA-Zeichen | XP P 41-280            |



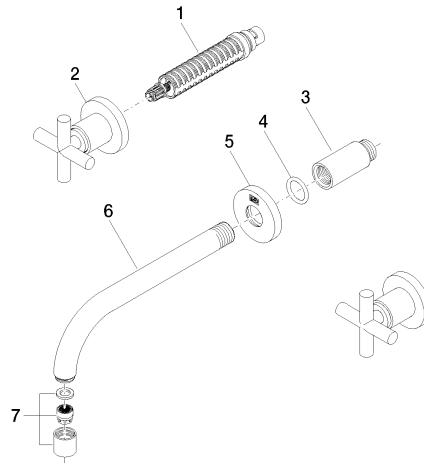
## TARA Wall-mounted basin mixer without pop-up waste - Platinum

TARA

36 712 892 Product version from 4/1/2024

### Certificates and sustainability

|        |           |        |               |  |
|--------|-----------|--------|---------------|--|
| LGA_18 | WRAS_2107 | ETA_19 | ACS_20 ACC LY | EPD-DOR-20230287<br>-IBA1-EN<br>Environmental.prod<br>uct-declarat |
|--------|-----------|--------|---------------|--|



### Spare parts list

| No.  | Item Number        | Name  | Quantity used | Delivery time |
|--|--------------------|---|---------------|---------------|
| 6  | 04 28 22 090 10-08 | Spout 190 mm - Platinum                       | 1.00          | 54            |
| 2  | 36 310 892-08      | TARA Wall valve - Platinum                    | 2.00          | -             |
| Spare part can no longer be ordered, please order the replacement item |                    |   |               |               |
| 5  | 09 27 22 503-08    | Rosette DB logo Ø 55 x Ø 22 x 9 mm - Platinum | 1.00          | 54            |
| 4  | 90 14 10 026 00 90 | O-Ring 20,5 x 3,5 mm -                        | 1.00          | 14            |
| 3  | 09 24 03 081 10 90 | Extension 1/2" x 50 mm -                      | 1.00          | 14            |
| 1  | 90 90 03 157 00 90 | Head part clockwise closing 1/2" -            | 2.00          | 14            |
| 7  | 90 23 01 019 00-08 | Aerator M18x1-IG 7,0 l/min. - Platinum        | 1.00          | 54            |