

35 021 970 90



- lead-free, dezincification resistant
- safety combination
- 2x back flow preventer
- 2x male thread 1/2" connection
- 3x outlet G 1/2"
- dust cover
- anti-water packing
- sound and thermal insulation
- 2x integrated supply stop
- gauge 60 mm
- WRAS

Recommended miscellaneous



**Extension 25 mm -** 12 190 970 90  
 •for concealed single-lever shower and bath mixer 36 02X SSS-FF

Recommended miscellaneous



**xGRID Attachment set for integrating in the dry wall construction -** 12 340 970 90

Recommended miscellaneous



**Extension 25 mm -** 12 191 970 90  
 •for concealed single-lever shower and bath mixer 36 12X SSS-FF

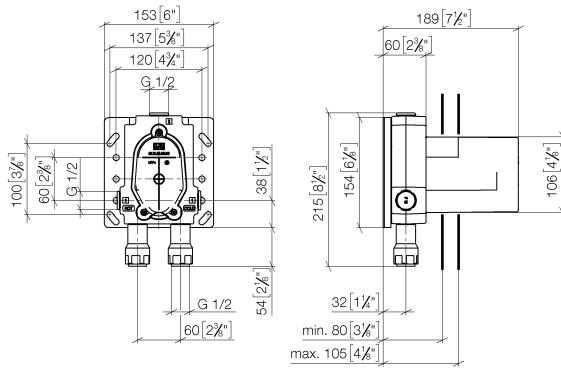
Required miscellaneous



**xGRID Installation track 555 mm -** 12 360 970 90

35 021 970 90

mm [inches]



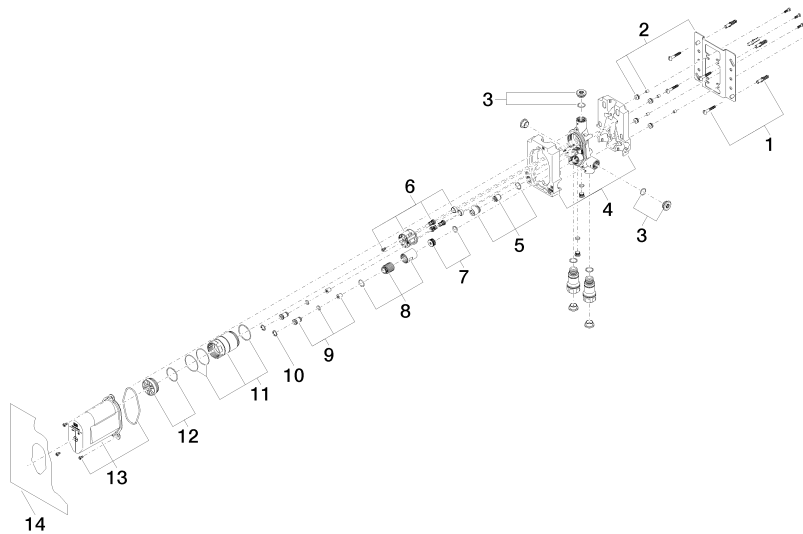
Codes & Standards

DIN 4109	EN 1717	EN 817	ISO 3822
Scottish Water Byelaws	UK Water Supply Regulations	Ü-Zeichen	

Certificates and sustainability

Belgaqua_21-385-27	DVGW_DW-6512DN0	LGA_19	WRAS_2207	EPD-DOR-20230287 -IBA1-EN Environmental product-declarat
--------------------	-----------------	--------	-----------	--

35 021 970 90



## Spare parts list

No.	Item Number	Name	Quantity used	Delivery time
8	90 17 01 189 00 90	Sleeve Low Stream rosette fixing, lower part Ø 27 x 34,5 mm -	1.00	14
7	90 31 20 098 00 90	Plug Ø 20,3 x 10,2 mm -	1.00	14
6	90 18 40 151 00 90	Back-flow preventor Ø 43,7 x 35 mm -	1.00	14
14	04 14 03 155 00 90	Washer for spray/bath wall mounting Packing -	1.00	14
10	09 16 01 014 90	Ring Retaining ring Ø 15 x 1 mm -	2.00	14
3	04 31 20 006 00 90	Plug 1/2" -	2.00	14
4	09 11 11 058 90	Body for spray/bath wall mounting Polystyrene Concealed rough parts 151,5 x 109 x 59 mm -	1.00	14
12	04 31 20 100 00 90	Plug M42 x 1,5 -	1.00	14
1	04 30 31 024 01 90	Attachment set Wood screw with dowel 6 x 40 mm -	2.00	14
2	04 17 20 128 00 90	Holder for thermostat Concealed rough parts 153 x 154 x 14 mm -	1.00	14
9	04 24 03 223 00 90	Pre-seal with built-in isolators Ø 15 x 33,5 mm -	2.00	14
5	90 17 01 188 00 90	Sleeve with backflow preventor Ø 20,8 x 23 mm -	1.00	14
11	90 17 01 187 00 90	Sleeve Retaining sleeve for cartridge Ø 48,7 x 74,3 mm -	1.00	14
13	90 21 02 148 00 90	Protective cap 133 x 140,2 x 76,2 mm -	1.00	14