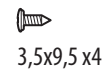
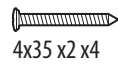
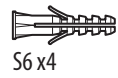
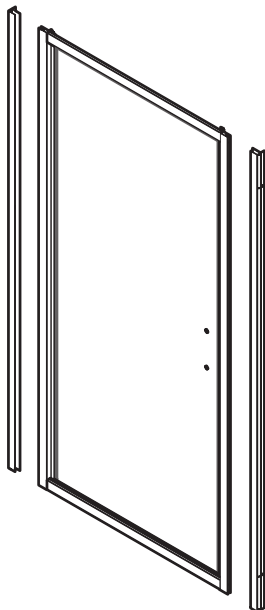
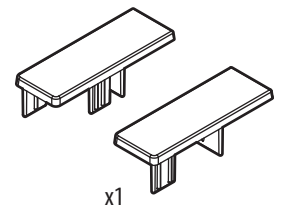
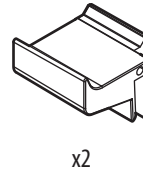
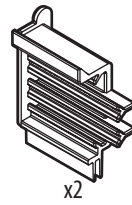
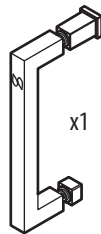
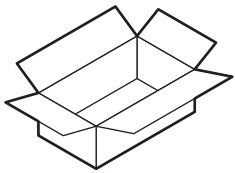
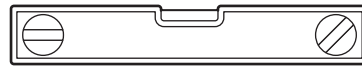
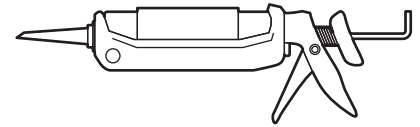
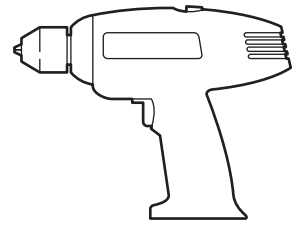
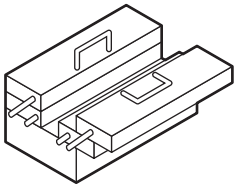
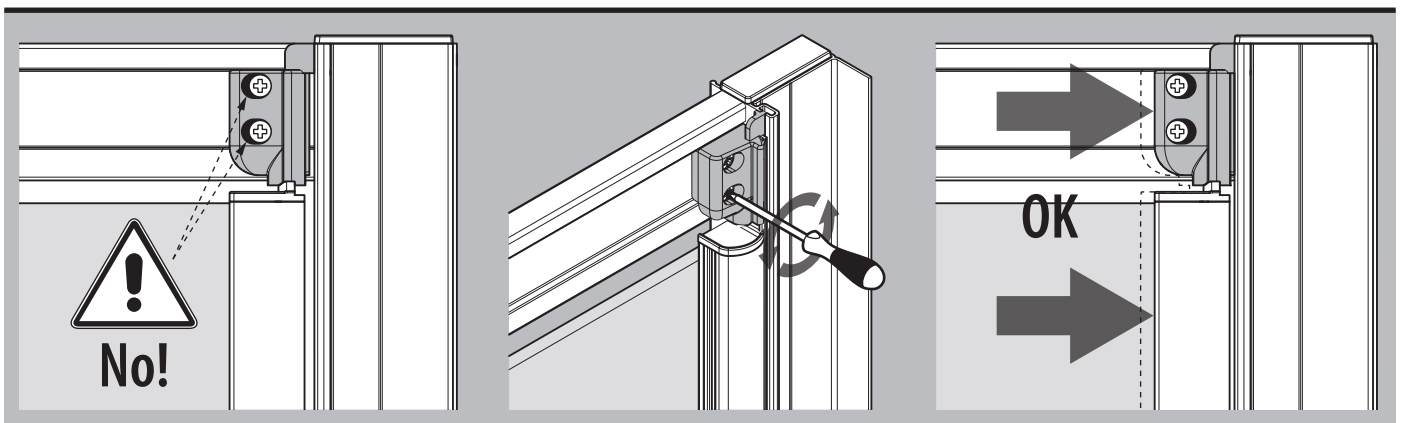
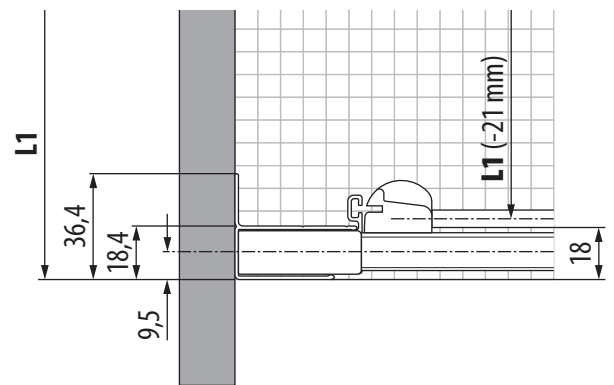
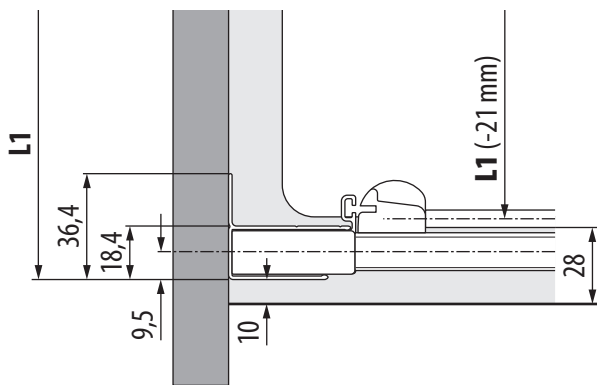
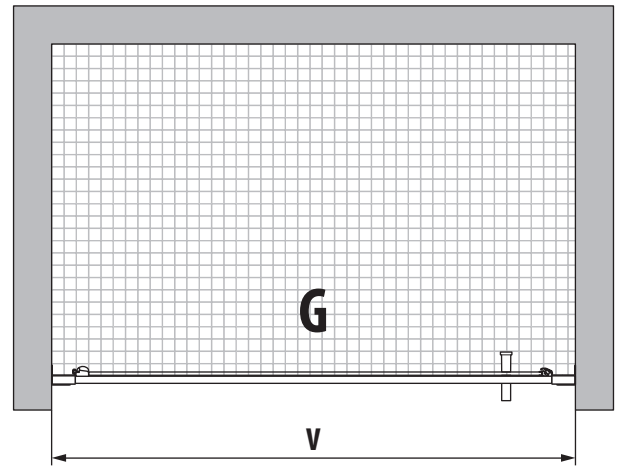
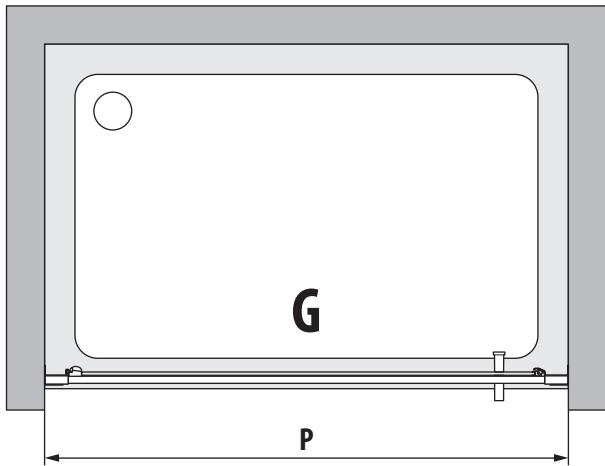


<hr/> <hr/> <hr/> <hr/>	<hr/> <hr/> <hr/> <hr/>
-------------------------	-------------------------

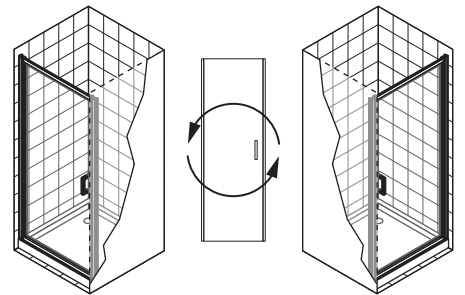
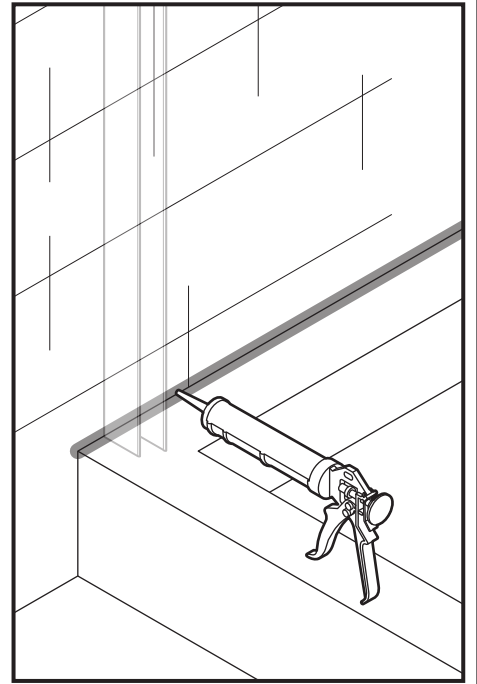
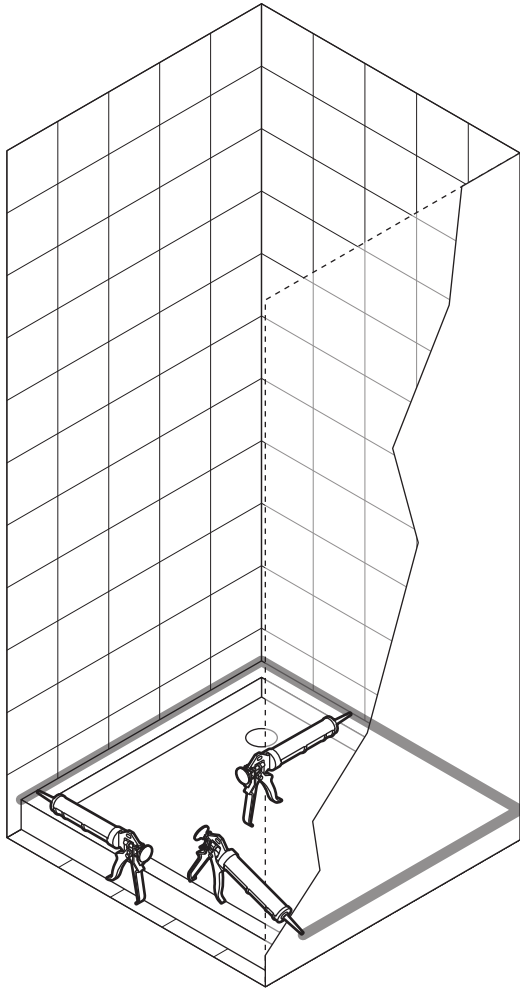


G	P mm
66	660-720
72	720-780
76	760-820
86	860-920
96	960-1020

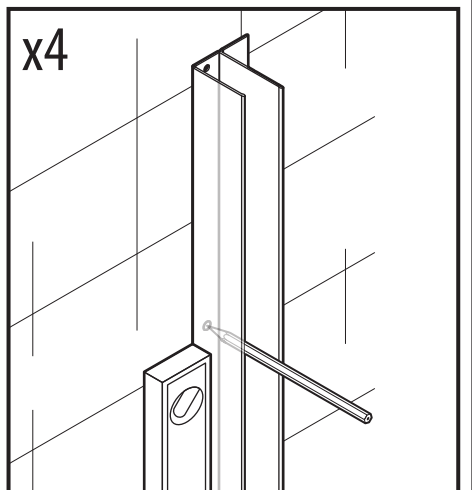
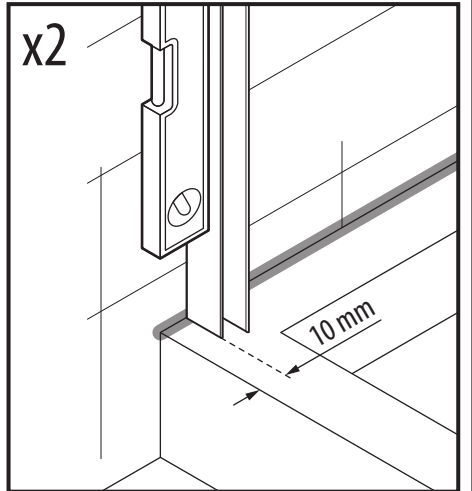
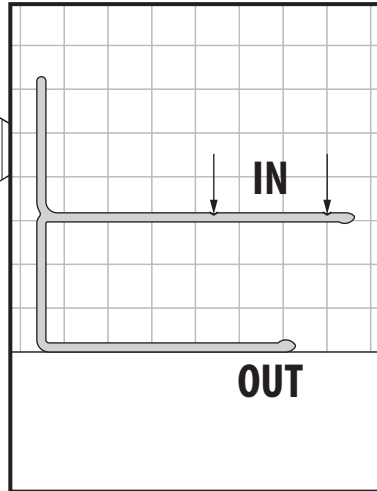
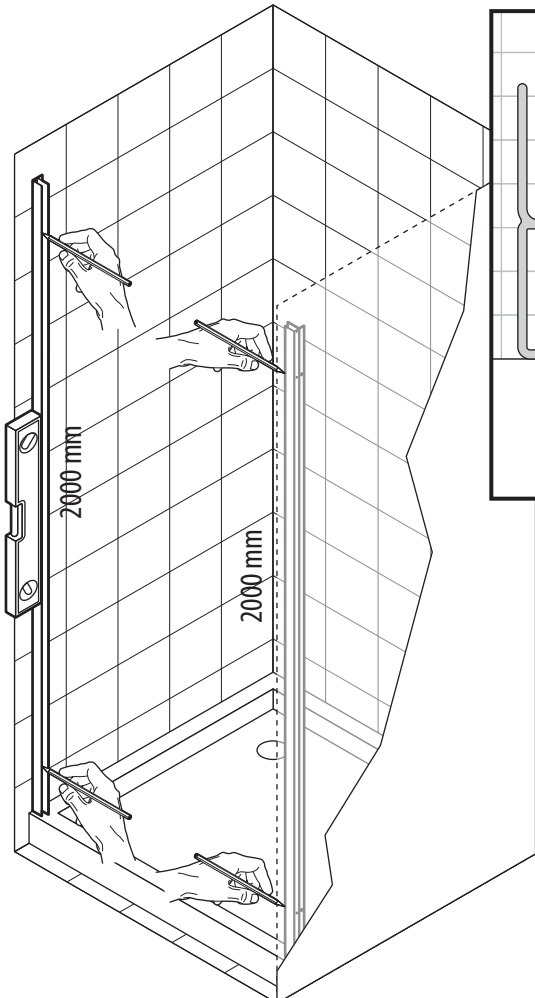
G	V mm
66	660-720
72	720-780
76	760-820
86	860-920
96	960-1020



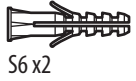
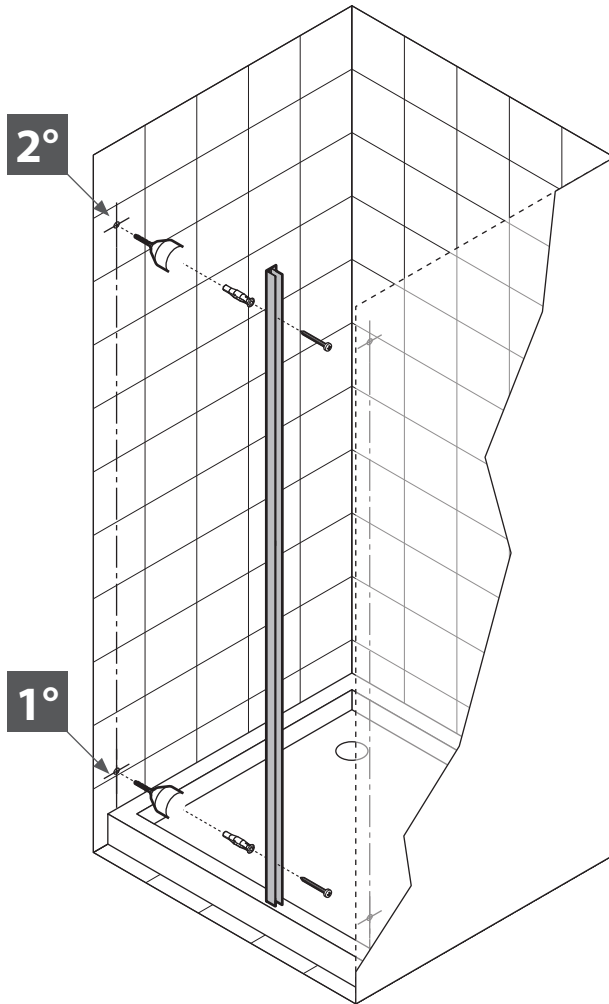
1



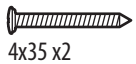
2



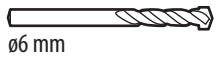
3



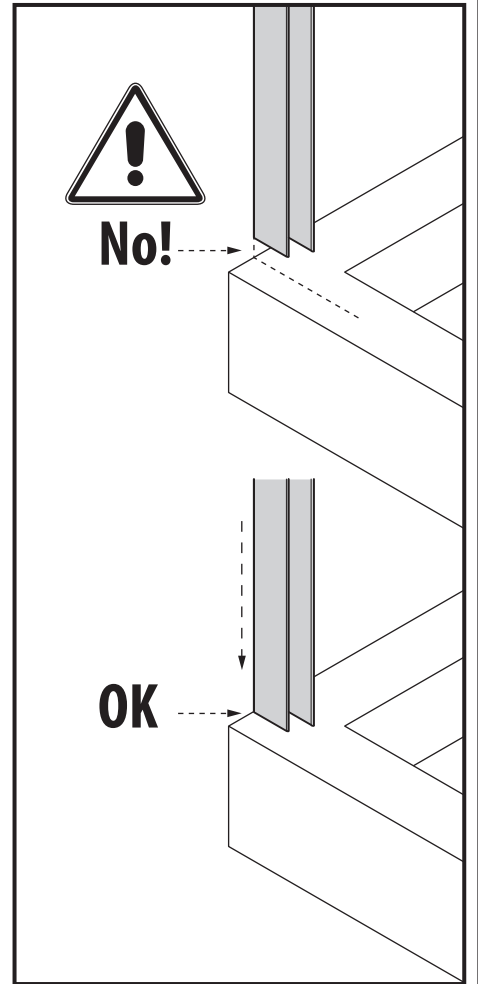
S6 x2



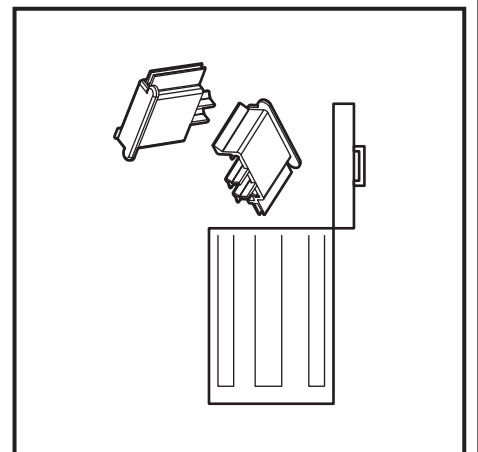
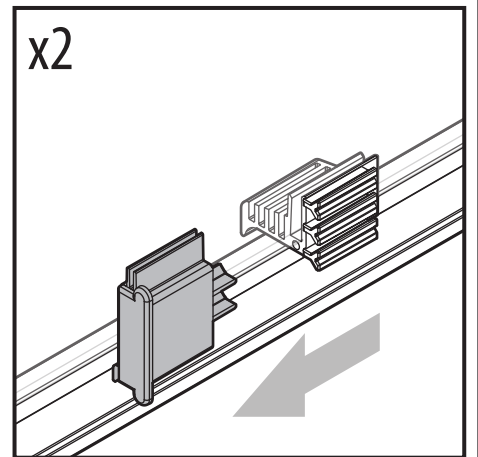
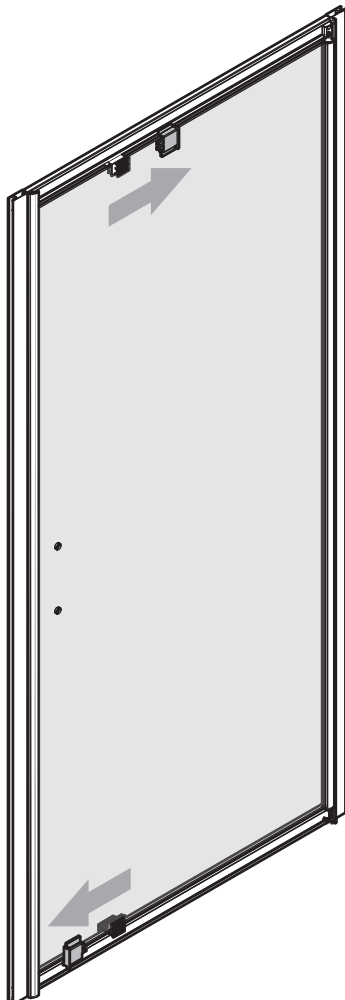
4x35 x2



ø6 mm

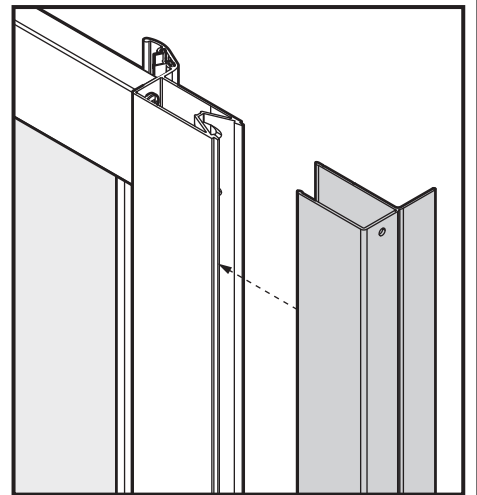
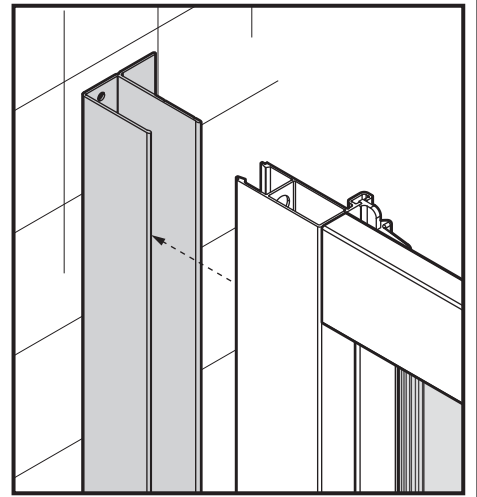
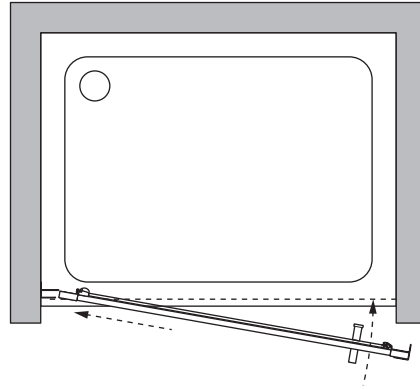
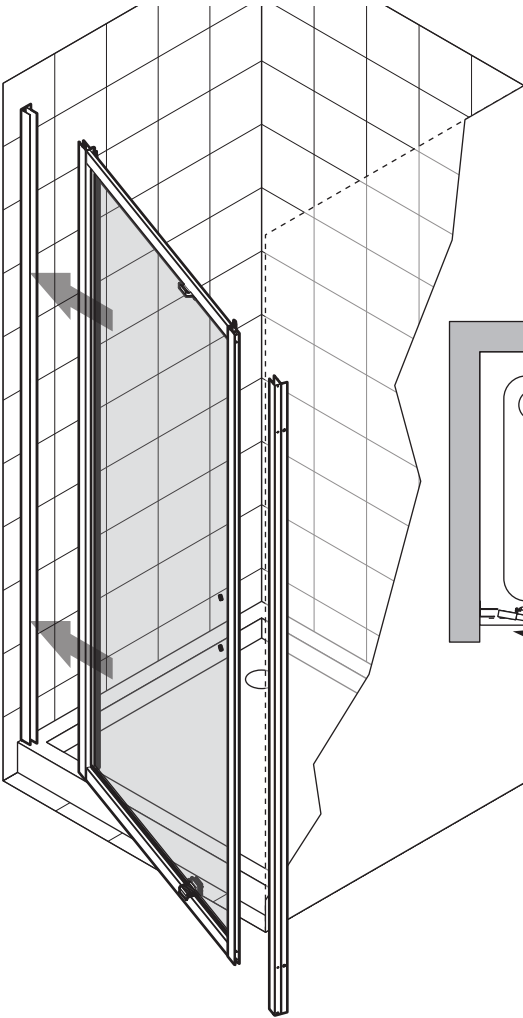


4

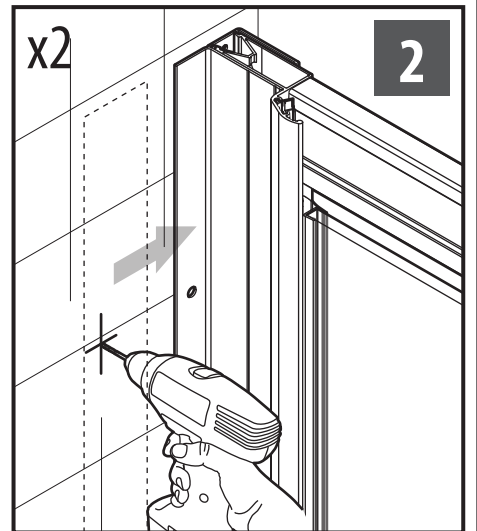
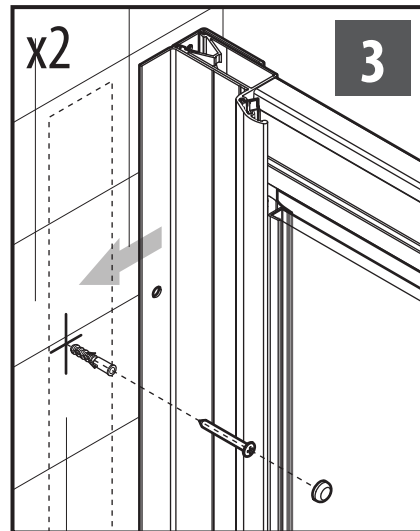
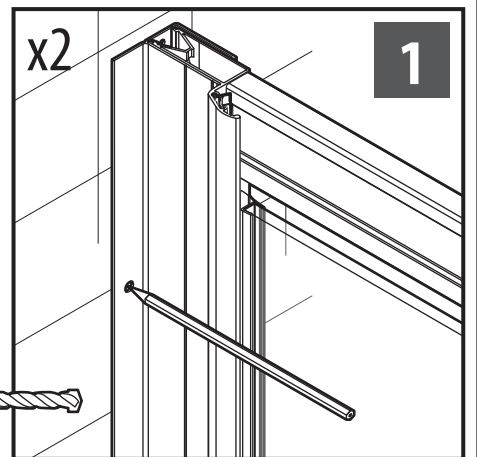
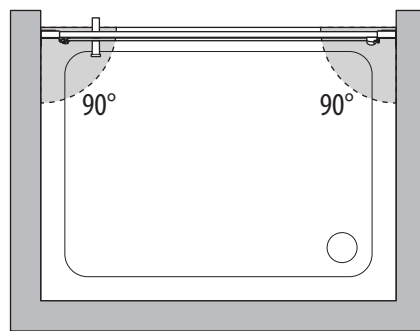
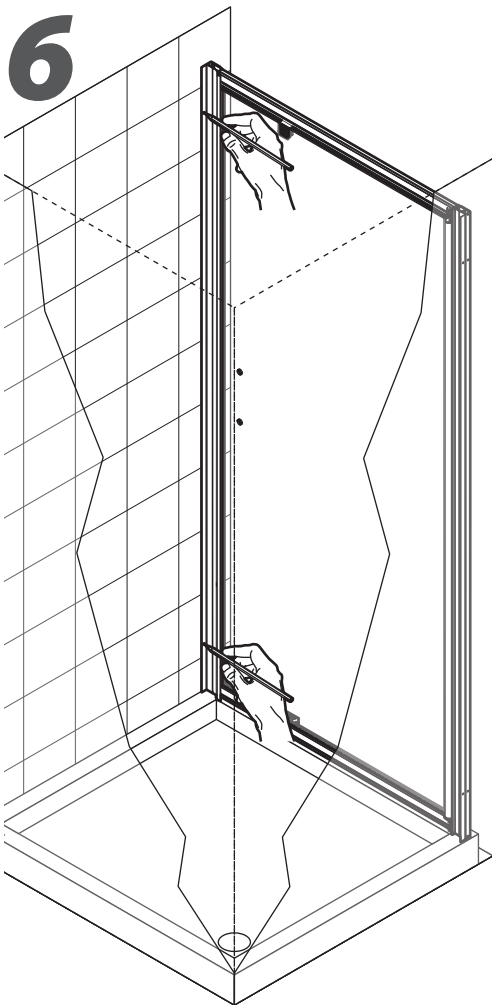


5

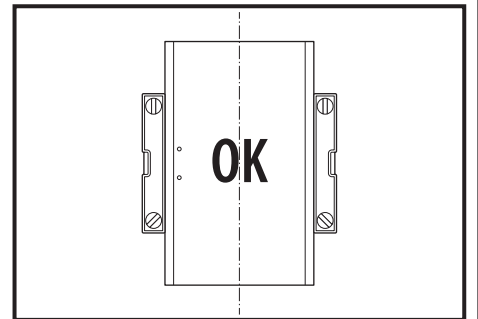
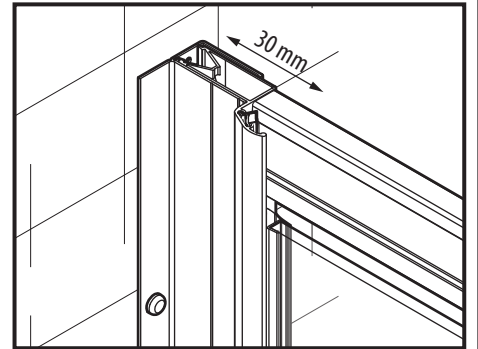
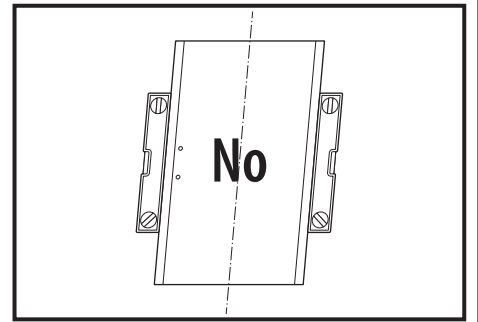
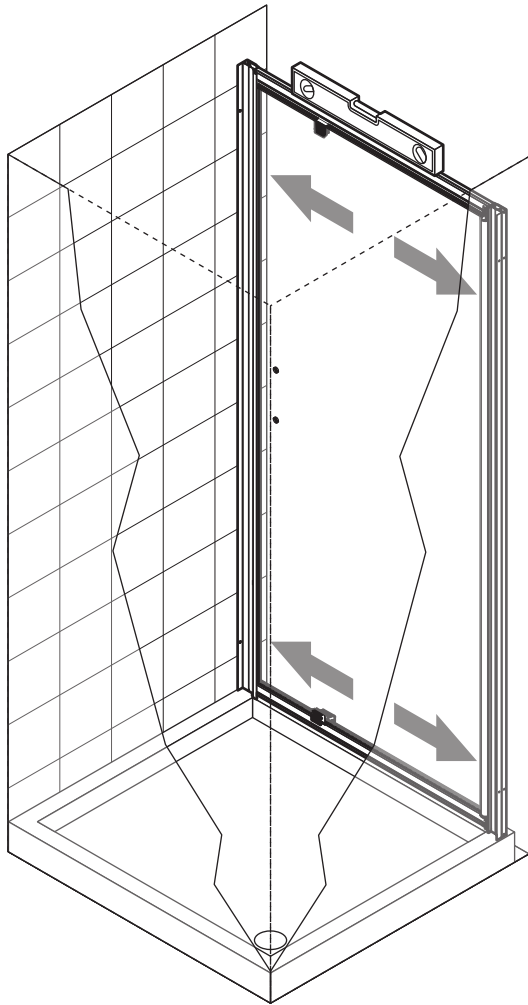
5



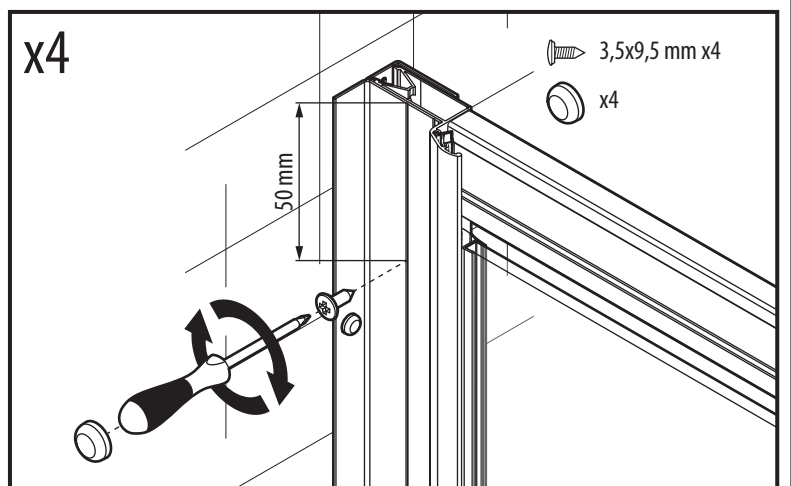
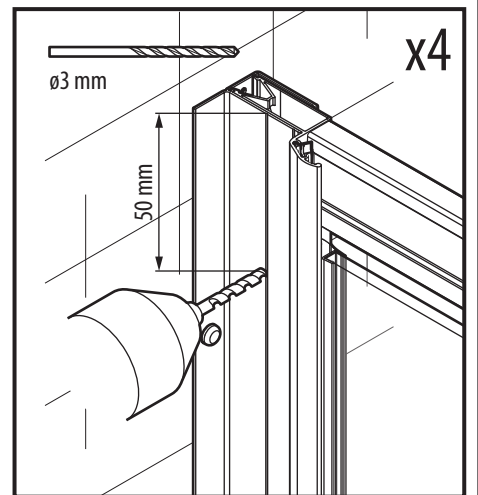
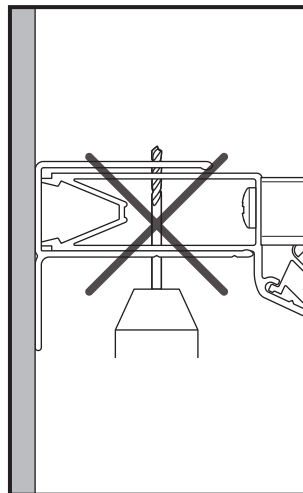
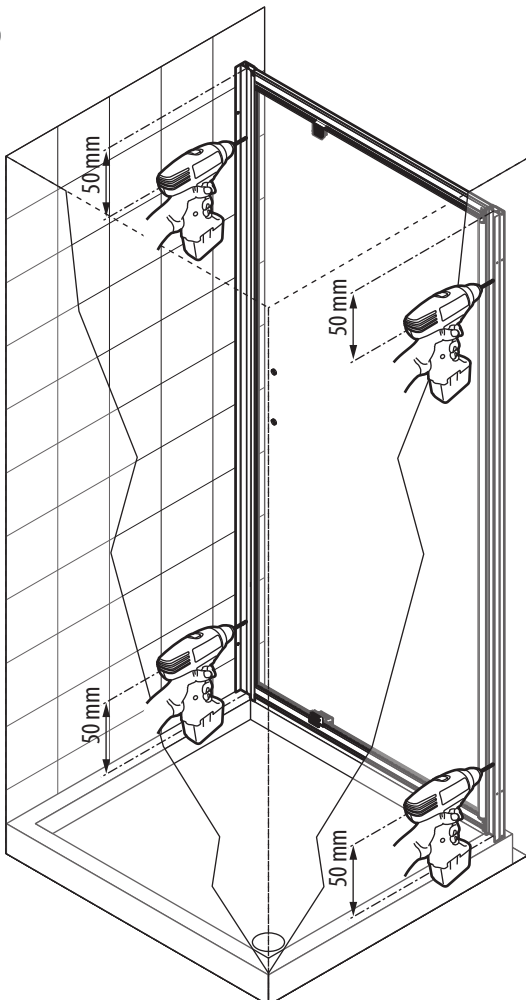
6



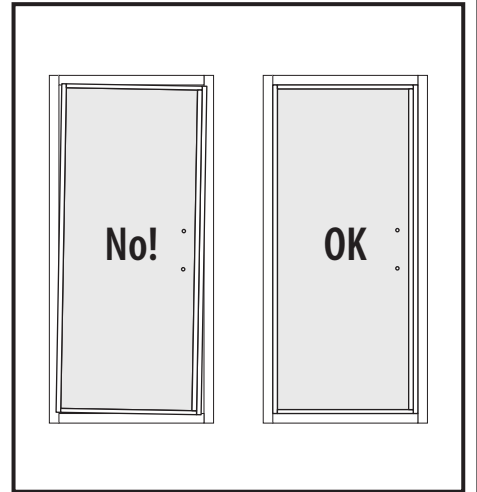
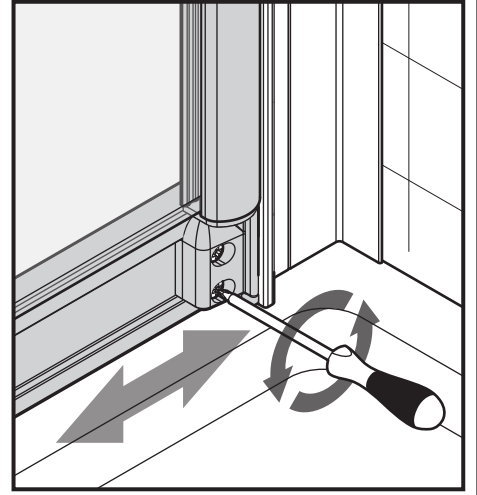
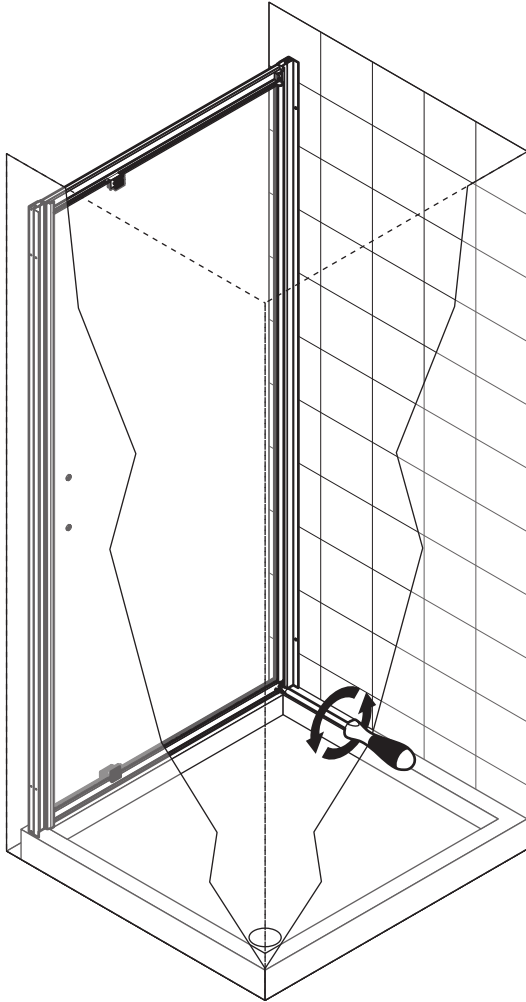
7



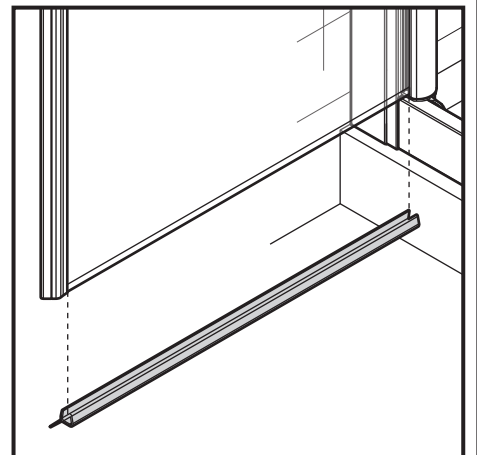
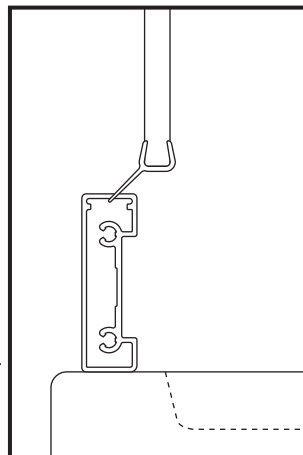
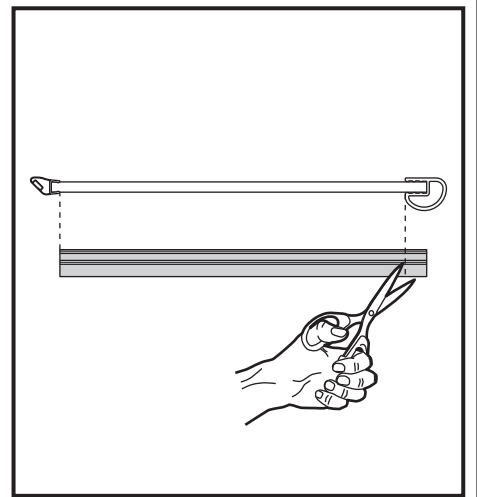
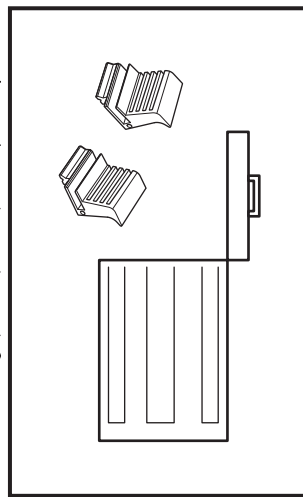
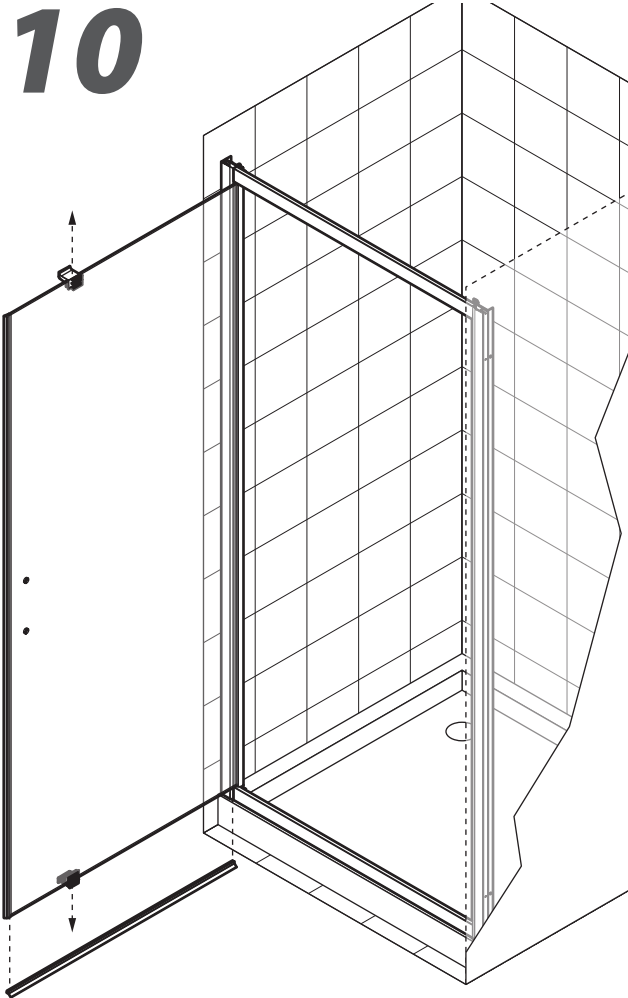
8



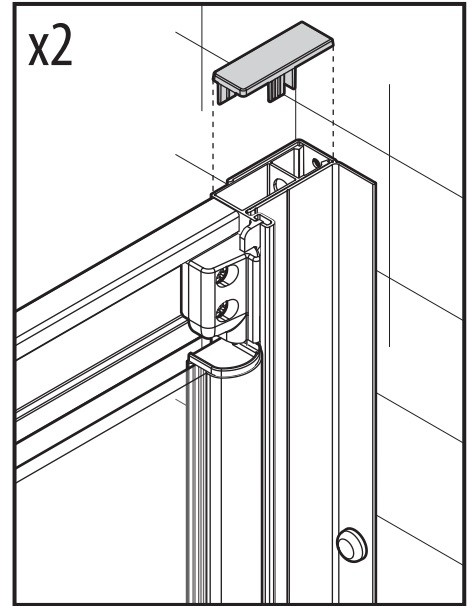
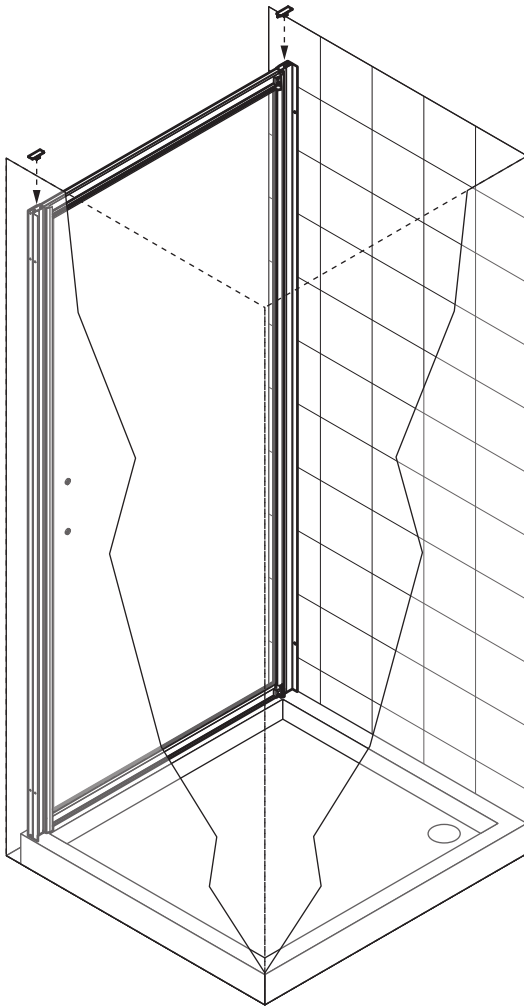
9



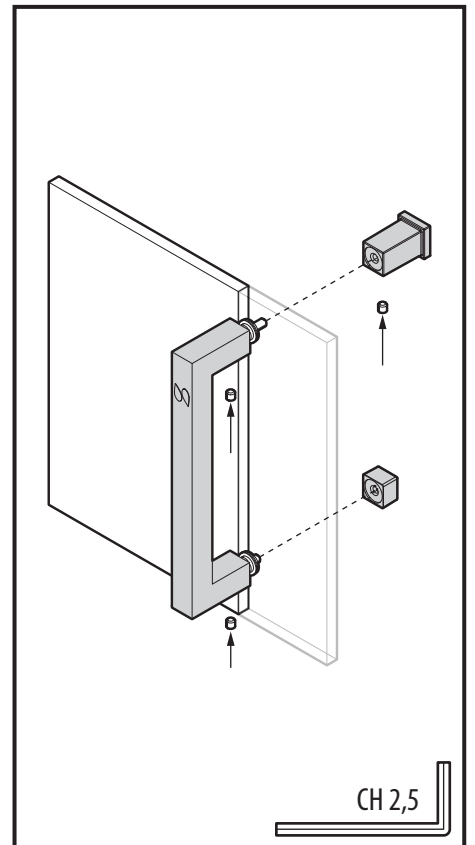
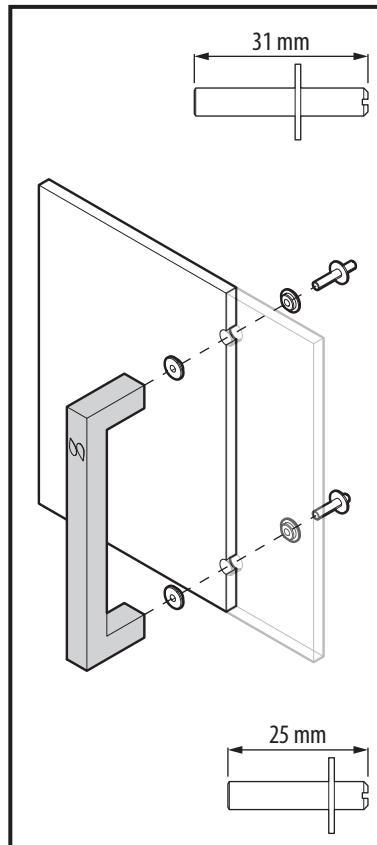
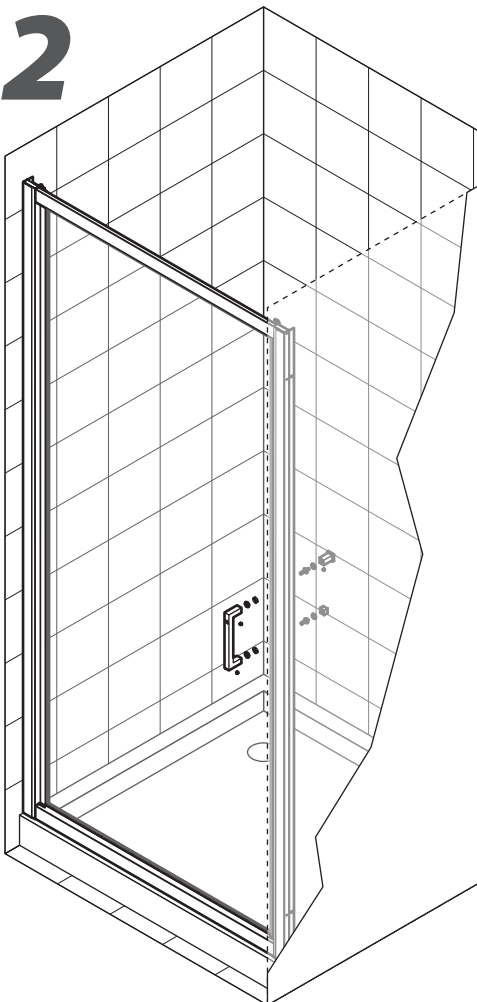
10



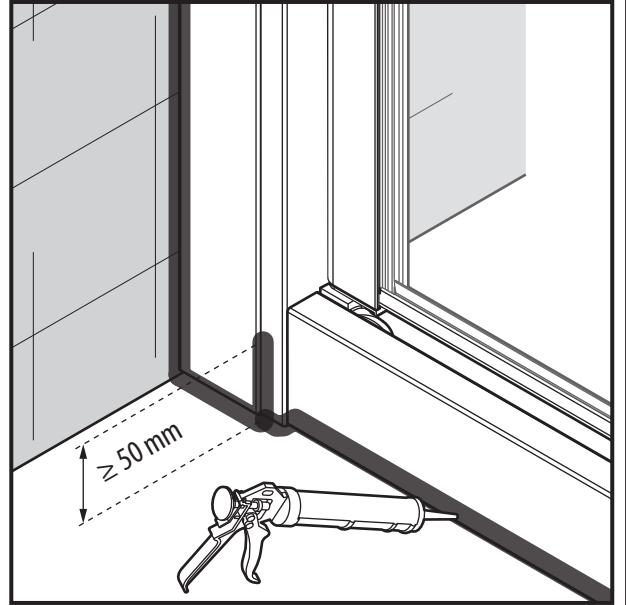
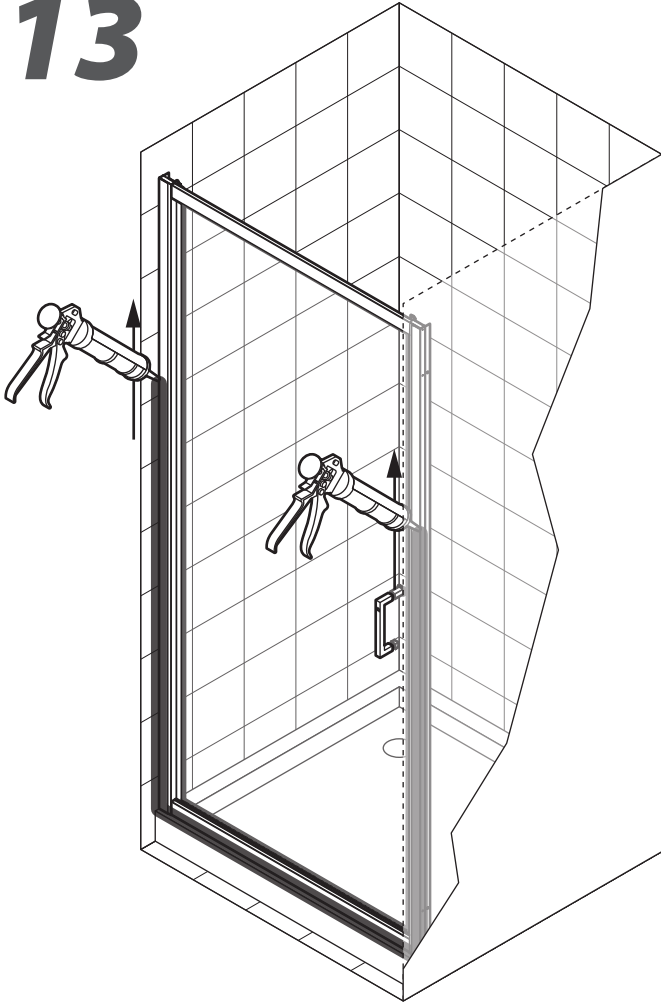
11



12



13



14

