

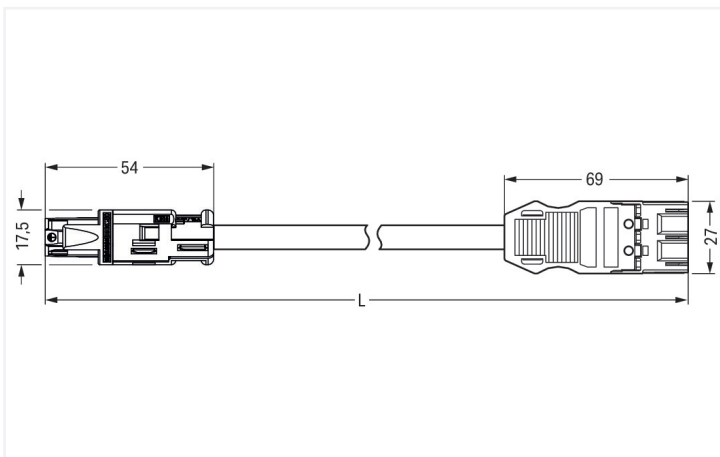
Data Sheet | Item Number: 774-9993/1517-301

pre-assembled adapter cable; Eca; Socket/plug MIDI; 3-pole; Cod. A; H05Z1Z1-F 3G
2.5 mm²; 3 m; 2,50 mm²; black

<https://www.wago.com/774-9993/1517-301>



Color: ■ black



Dimensions in mm

Cable assembly WINSTA® RD 3-pole

Use effective pluggable connections instead of laborious screw connections: With the WINSTA® RD cable assembly 3-pole. On PCBs, in control cabinets or for connecting lights – pluggable installation connectors from WAGO allow you to establish connections according to many different requirements in next to no time. For greater security in electrical installations, the pluggable installation connector is equipped with mechanical protection



against mismatching. The pluggable installation connector offers protection against contact with live components in accordance with protection type IP20 (When mated: IP2xC (These compact connectors are not designed for use in open, easily accessible areas!)). This pluggable installation connector can be used for a load of up to 20 A. Thus, it can also be used for high power loads. The WINSTA® RD features a round design that is perfect for use in conduits with an inner diameter of 20 mm, such as in construction of prefabricated houses. According to the European CPR, the fire class of the cables used for construction is essential for the safety of buildings as well. For buildings with medium-level safety requirements, cable assemblies with fire class E are suitable. Not using halogen additives in the manufacture of this cable assembly significantly improves fire safety and minimises environmental contamination.

Fast, secure pluggable connections – cable assemblies from WAGO

A RD socket and a MIDI plug are provided. The WINSTA® Pluggable Connection System is perfectly tailored to the very strict requirements of building installation. It makes electrical installation pluggable, and therefore more efficient, more reliable, and error-free. Use of this pre-assembled system decreases assembly times and installation errors at the construction site. Enjoy the benefits of the pluggable version of our maintenance-free spring pressure connection technology too! Plan your installation with with strain relief hosting from WAGO.

- effective protection against mismatching
- saves time, since no wiring is required at the construction site
- with A coding for a great number of uses
- ready to install and use immediately
- quick replacement of defective units during ongoing operation

Notes	
Note	Cables with a different fire class can be found in the eShop.

Electrical data				
Ratings per	IEC/EN 60664-1			General information
Overvoltage category	III	III	II	Note on contact resistance approx. 1 mΩ of contact resistance approx. 0.25 mΩ contact transition plug/ socket
Pollution degree	3	2	2	
Nominal voltage	250 V	-	-	
Rated impulse withstand voltage	4 kV	-	-	
Rated current	20 A	-	-	

Connection Data		Connection 1	
Total number of potentials	3	Pole number	3
		Wire cross-section	2.5 mm²
		Connection type	RD socket - MIDI plug

Physical data	
Width	27 mm / 1.063 inches
Height	17.5 mm / 0.689 inches
Total length	3 m

Mechanical data

Use	General mains applications
Coding	A
Marking	L ⊕ N
Potential marking	N ⊕ L
Mating force of a plug-in connection	Approx. 30 ... 70 N (depending on pole number)
Retention force of a plug-in connection	when locked: > 80N
Unmating force of a plug-in connection	Unlocked: approx. 30 ... 70 N (depending on pole number)
Number of mating cycles	200, without resistive load
Connection type	RD socket - MIDI plug
Type of pre-assembled cable	Adapter cable
Cable type	H05Z1Z1-F 3G2.5
Protection type	IP20; When mated: IP2xC (These compact connectors are not designed for use in open, easily accessible areas!)

Plug-in connection

Mismating protection	Yes
Note on mismating protection	All <i>WINSTA</i> ® components are 100% protected against mismating when: a.) plugging different numbers of poles b.) plugging while incorrectly rotated c.) plugging while laterally staggered
Locking of plug-in connection	Locking lever

Material data

Note (material data)	Information on material specifications can be found here
Color	black
Insulation material (main housing)	Polyamide (PA66)
Fire class per EN 50575	E _{ca}
Contact material	Copper or copper alloy; surface-treated
Contact Plating	Tin
Fire load	89.131 MJ
Connector color	black
Strain relief color	black
Sheathed cable color	black
Printing color of sheathed cable	white
Halogen-free	Yes
Silicon-free	Yes
Sheath material	Halogen-free
Rubber cable	No
Weight	457.2 g
Copper weight of the raw cable	0.072 kg/m

Environmental requirements

Processing temperature	-5 ... +40 °C
Continuous operating temperature	-35 ... +85 °C
Note on continuous operating temperature	Cable for temperatures ≤ 70 °C (including halogen-free) Insulating parts for temperatures ≤ 105 °C

Commercial data

PU (SPU)	1 pcs
Packaging type	unpacked
Country of origin	PL
GTIN	4050821748182
Customs tariff number	85444290900

Product Classification

UNSPSC	26121629
eCl@ss 10.0	27-44-06-04
eCl@ss 9.0	27-44-06-04
ETIM 9.0	EC002587
ETIM 10.0	EC002587
ECCN	NO US CLASSIFICATION

Environmental Product Compliance

RoHS Compliance Status	Compliant, No Exemption
------------------------	-------------------------

Approvals / Certificates

General approvals



Approval	Standard	Certificate Name
CCA DEKRA Certification B.V.	EN 61535	NTR NL-7969
CCA DEKRA Certification B.V.	EN 61984	NTR NL-7848
KEMA/KEUR DEKRA Certification B.V.	EN 61535	71-123229
KEMA/KEUR DEKRA Certification B.V.	EN 61984	71-114944

Declarations of conformity and manufacturer's declarations

Approval	Standard	Certificate Name
EU-Declaration of Confor- mity WAGO GmbH & Co. KG	-	-
UK-Declaration of Confor- mity WAGO GmbH & Co. KG	-	-

Downloads

Environmental Product Compliance

Compliance Search

Environmental Product Compliance 774-9993/1517-301	↓
--	---

Documentation

Bid Text			
774-9993/1517-301	19.02.2019	xml 2.96 KB	
774-9993/1517-301	19.02.2015	doc 23.50 KB	

CAD/CAE-Data

CAE data	
EPLAN Data Portal 774-9993/1517-301	
WSCAD Universe 774-9993/1517-301	

1 Compatible Products

1.1 Required Accessories

1.1.1 Cover

1.1.1.1 Cover



Item No.: 770-360
Lockout cap; for plugs; 5-pole; separable; yellow

1.1.2 Locking system

1.1.2.1 Locking system



Item No.: 770-101
Locking lever; for flying leads; for manual operation; black



Item No.: 770-121
Locking lever; for flying leads; for manual operation; white



Item No.: 770-111
Locking lever; for flying leads; for tool operation; black



Item No.: 770-131
Locking lever; for flying leads; for tool operation; white