

17 861 875 Product version from 4/1/2014 to 5/27/2021



- 146mm projection
- rigid, thermally insulated spout
- laminar flow
- height of mixer 288 mm
- height up to laminar flow regulator 180 mm
- hole diameter 35 mm
- provides filtered, hot water up to 93°C
- provides filtered, cold water
- max. flow 2 l/min at 3 bar flow pressure
- ready-to-use control unit for wall mounting (137mm x 159mm x 60mm)
- electronic magnetic valve
- 100-230 V, 50-60 Hz, 18 W power supply unit, incl. country-specific adapter set
- lead-free

• Spout ring cannot be removed.

• This product can help a building meet the requirements of Green Building Rating Systems, e.g. LEED®, BREEAM®, DGNB

**A minimum flow pressure of 3 bar is necessary for the HOT & COLD WATER DISPENSER to work perfectly in conjunction with a hot water tank and filter.**

**The installation must be above a kitchen sink.**

**The filter cartridge must be changed every six months. The installation instructions contain further information for guidance.**

**Detailed planning information and technical data can be found at**

**[www.dornbracht.com/professional](http://www.dornbracht.com/professional)**

**Not compatible with reverse osmosis filtration**

A minimum flow pressure of 3 bar is necessary for the HOT & COLD WATER DISPENSER to work perfectly in conjunction with a hot water tank and filter.

The installation must be above a kitchen sink.

The filter cartridge must be changed every six months. The installation instructions contain further information for guidance.

Detailed planning information and technical data can be found at [www.dornbracht.com/professional](http://www.dornbracht.com/professional)

Not compatible with reverse osmosis filtration

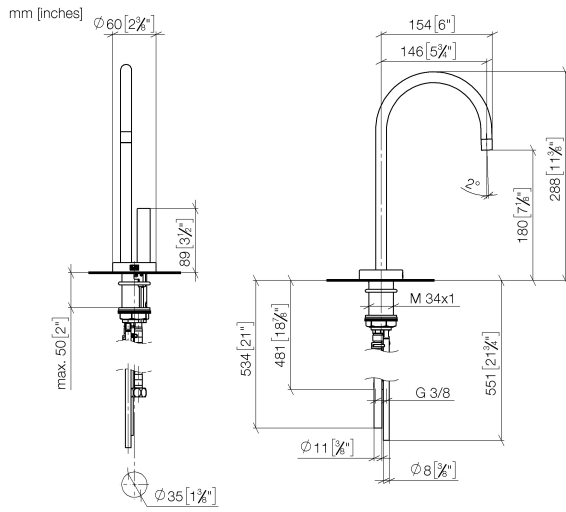
## Required miscellaneous



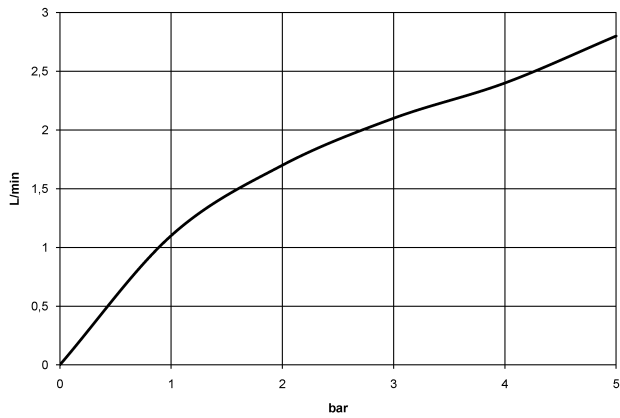
Hot water tank incl. filter -

12 892 970 90

17 861 875 Product version from 4/1/2014 to 5/27/2021



**Flow rate chart**



**Codes & Standards**

ASME A112.18.1	cUPC	DIN 4109	Executive Order no. 1007
ISO 3822	NSF372	NSF61	Ü-Zeichen



## TARA ULTRA HOT & COLD WATER DISPENSER - Chrome

TARA ULTRA

17 861 875 Product version from 4/1/2014 to 5/27/2021

### Certificates and sustainability

IAPMO\_N-4

IAPMO\_4976

GDV\_0400

IAPMO\_6

LGA\_28

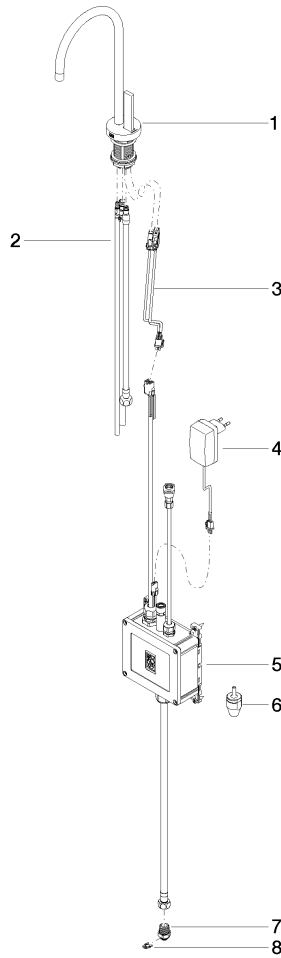
EPD-DOR-20230287

-IBA1-EN

Environmental.prod

uct-declarat

17 861 875 Product version from 4/1/2014 to 5/27/2021



**Spare parts list**

No.	Item Number	Name	Quantity used	Delivery time
	4 04 10 01 050 00 90	Power supply International power supply unit electronic -	1.00	-
	Spare part can no longer be ordered, please order the replacement item			
	0410012460090	Power supply International power supply unit electronic -		
5	90 11 11 064 01 90	Control unit for Hot and Cold Water Dispenser 315 x 85 x 210 mm -	1.00	14
1	90 17 85 100 05-00	Spout for Hot and Cold Water Dispenser 520 x 200 x 180 mm - Chrome	1.00	20
7	09 24 04 293 90	Nipple 20,5 x 23 x 30 mm -	1.00	14
3	90 10 01 048 00 90	Control unit for Hot and Cold Water Dispenser Electronic component switch 48 x 253 x 59 mm -	1.00	14
8	09 16 01 045 90	Ring 15,4 x 12,48 x 1,39 mm -	1.00	14
2	90 30 04 067 00 90	Tube for Hot & Cold Water Dispenser Complete set -	1.00	14
6	90 24 04 291 00 90	Connection Venting valve, HCWD Ø 26 x 58 mm -	1.00	14