

TRONIX

One zone dim remote
214-144



Feature

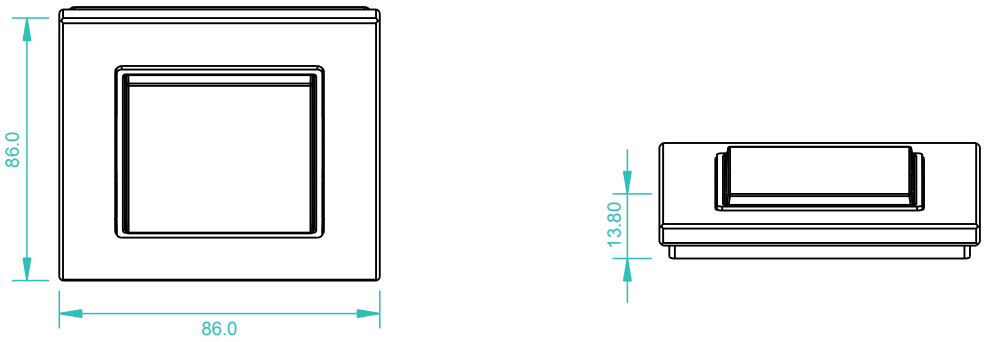
This is a RF Wireless Push Remote, can be wall mounted, or stuck on wall easily by 3M glue.

Parameter

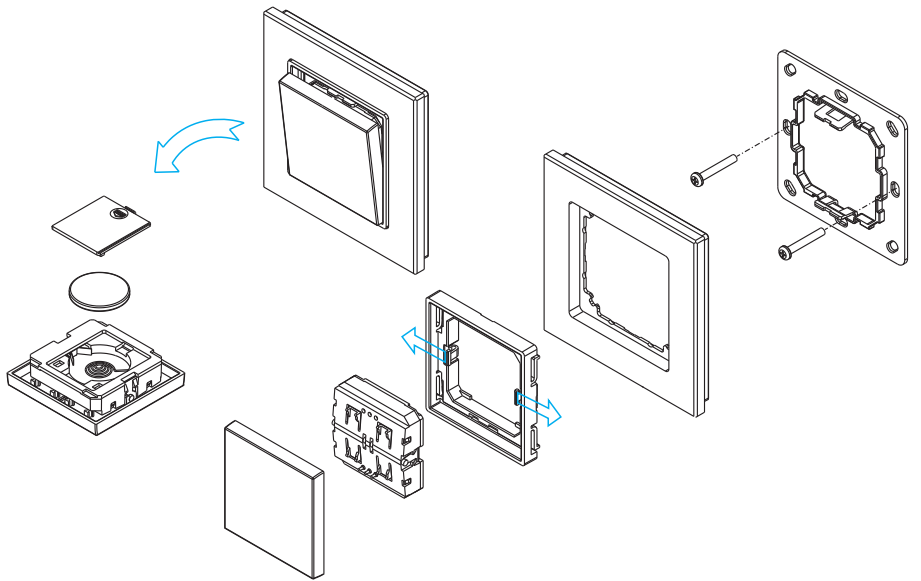
Remote			
Part No.	Operation Voltage	Operation Frequency	Remarks
214-144	3VDC Cr2430 battery	434MHz/868MHz	RF Wireless

Receiver				
Part No.	Input Voltage	Current	Output	Remarks
214-147	12-36VDC	1x8A	1x(96-288)W	Constant voltage
214-148	12-36VDC	1x700mA	1x(8.4-25.2)W	Constant current
214-132	12-36VDC	4x5A	4x(60-180)W	Constant voltage
214-133	12-36VDC	4x700mA	4x(8.4-25.2)W	Constant current

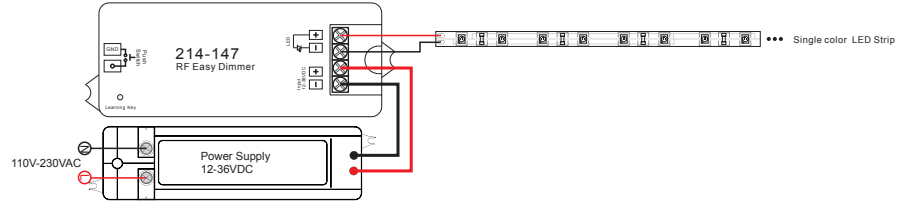
Product Size



Installation



Wiring diagram

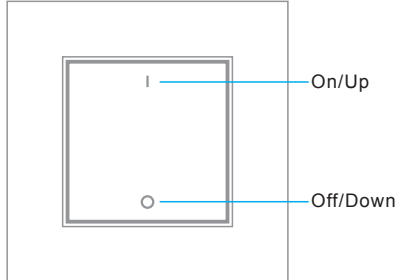


Mounting

The key part of this controller is a universal, extremely rotary standard switch element that can be integrated in numerous frames by different manufactures as below list:

BEKER	S1, B1, B3, B7 glass
GIRA	Standard55, E2, Event, Esprit
JUNG	A500, Aplus
MERTEN	M-smart, M-Arc, M-Plan

Operation



1. Pairing with remote: connect well receiver, press learning key on receiver, then immediately push I or O, the led will flash, means well paired. One remote can pair with endless of receivers, to control in sync.
2. Short press I for ON, long press for turn Up brightness. short press O for OFF, long press for turn Down brightness.
3. If you want delete the receiver's learning data, just long press for 5 seconds the learning key on receiver, the receiver will be deleted the learning, be set as factory defaults.

Safety & Warnings

- 1) The product shall be installed and serviced by a qualified person.
- 2) IP20. Please avoid the sun and rain. When installed outdoors, please ensure it is mounted in a water proof enclosure.
- 3) Always be sure to mount this unit in an area with proper ventilation to avoid overheating.
- 4) Please check if the output voltage of any LED power supplies used comply with the working voltage of the product.
- 5) Never connect any cables while power is on and always assure correct connections to avoid short circuits before switching on.
- 6) Please ensure that the cable is secured tightly in the connector
- 7) For update information please consult your supplier.

Warranty Agreement

- 1) We provide lifelong technical assistance with this product:
 - 3-year warranty. We print date on every products, for example : 1125 means year 2011, week 25. The warranty is for free repair or replacement and covers manufacturing faults only.
 - For faults beyond the 3-year warranty we reserve the right to charge for time and parts.
- 2) Limited Warrenty
 - Any defects caused by wrong operation.
 - Any damages caused by unauthorized removal, maintenance, modifying, incorrect connection and replacement of chips.
 - Any damages due to transportation, vibration etc. after purchase.
 - Any damages caused by earthquake, fire, lightning, pollution and abnormal voltage.
 - Any damages caused by negligence, inappropriate storing at high temperatures and humidity or near harmful chemicals.
 - Product has been updated
- 3) Repair or replacement as provided under this warranty is the exclusive remedy to the customer.