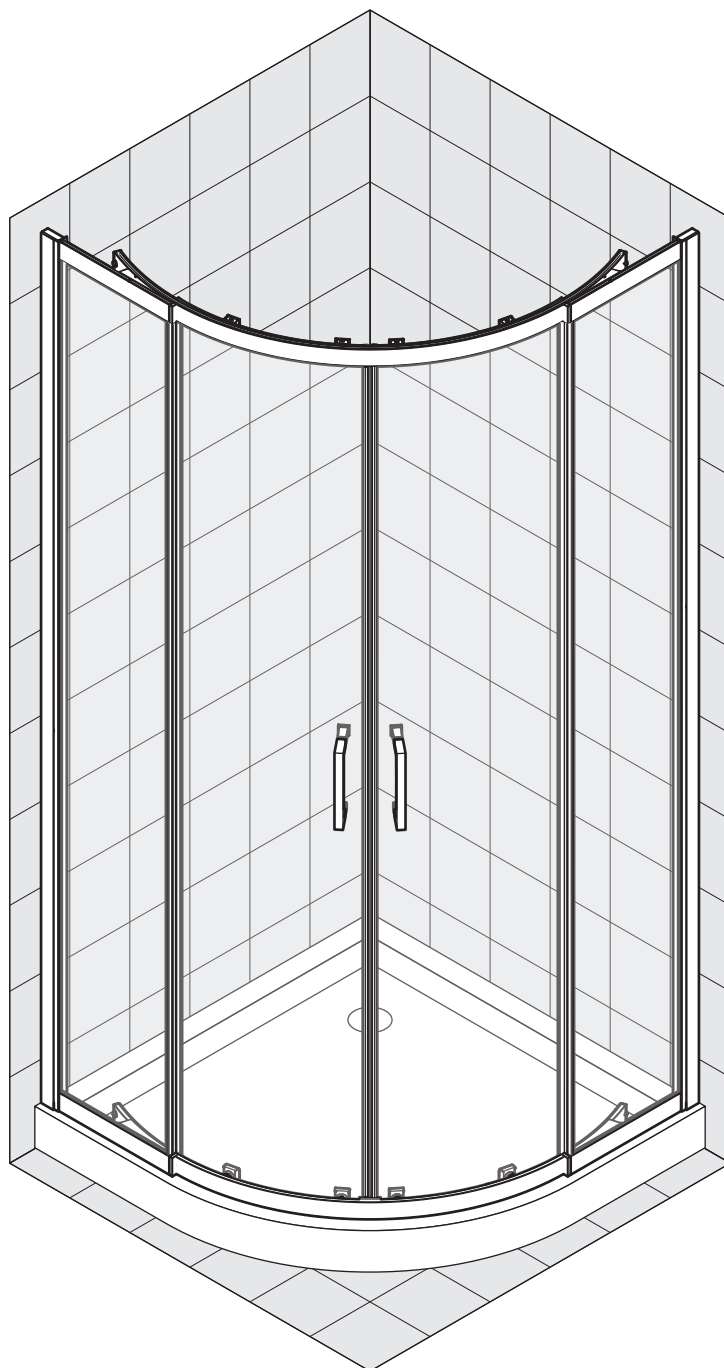
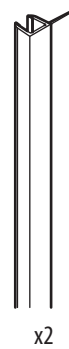
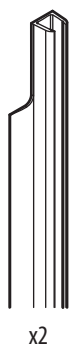
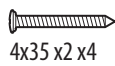
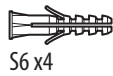
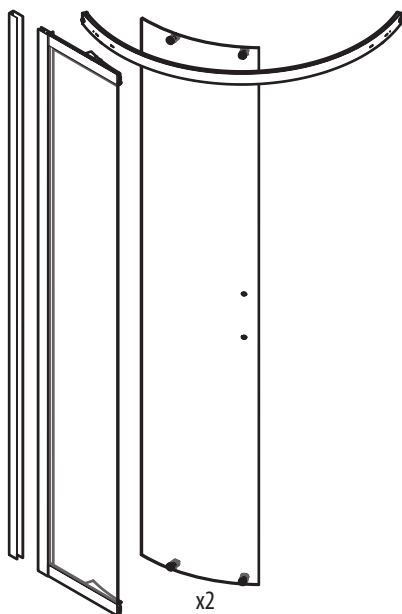
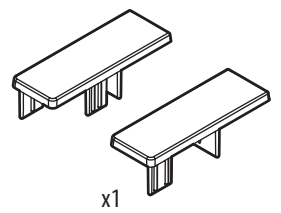
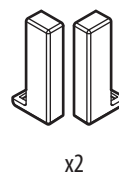
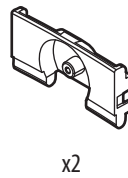
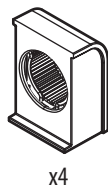
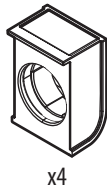
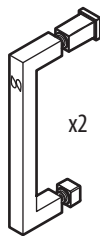
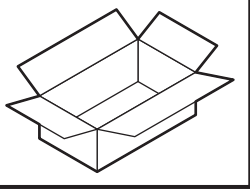
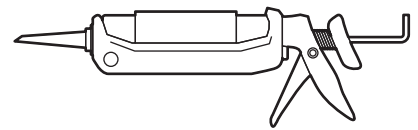
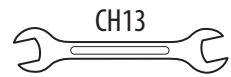
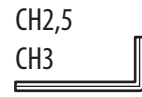
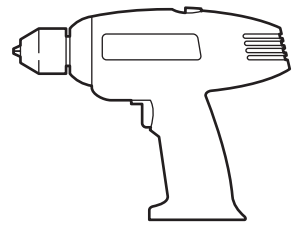
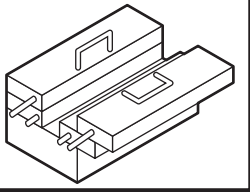


R

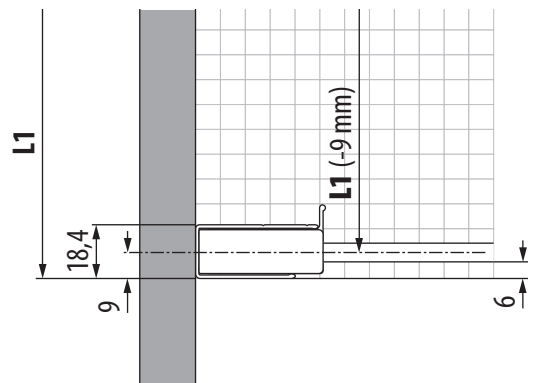
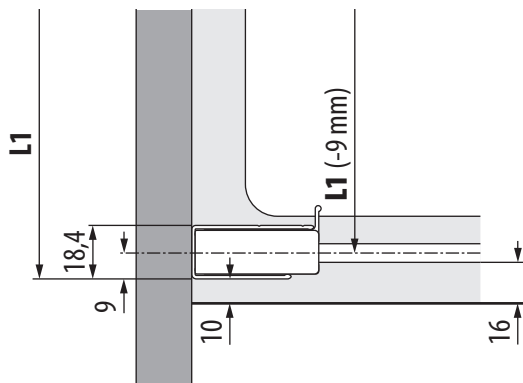
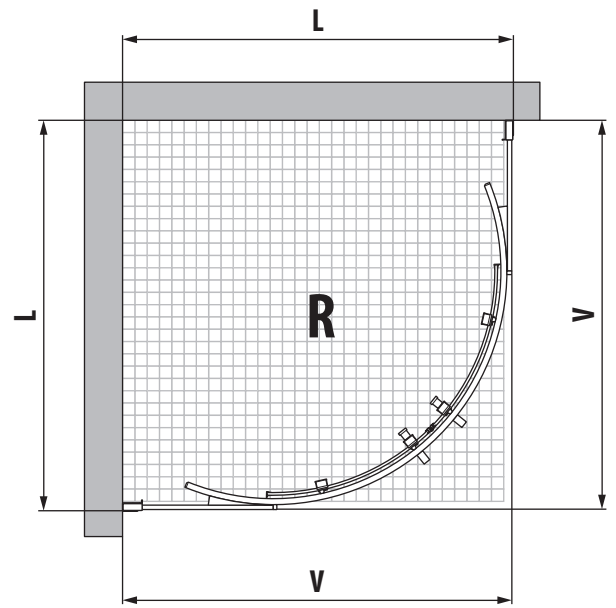
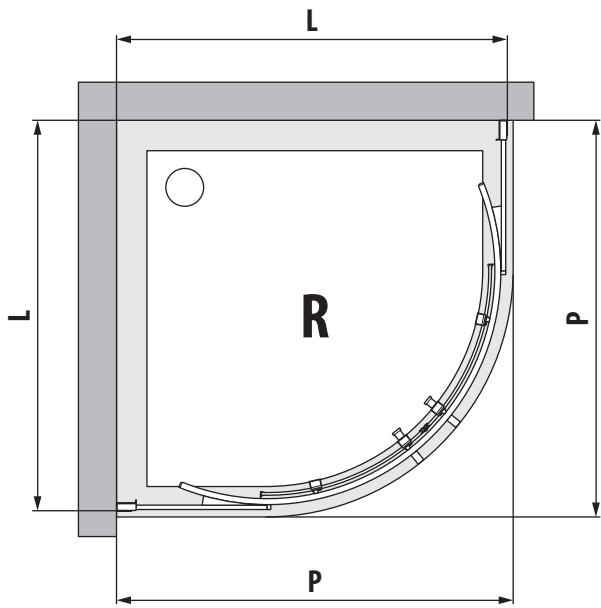


<hr/> <hr/> <hr/> <hr/>	<hr/> <hr/> <hr/> <hr/>
-------------------------	-------------------------

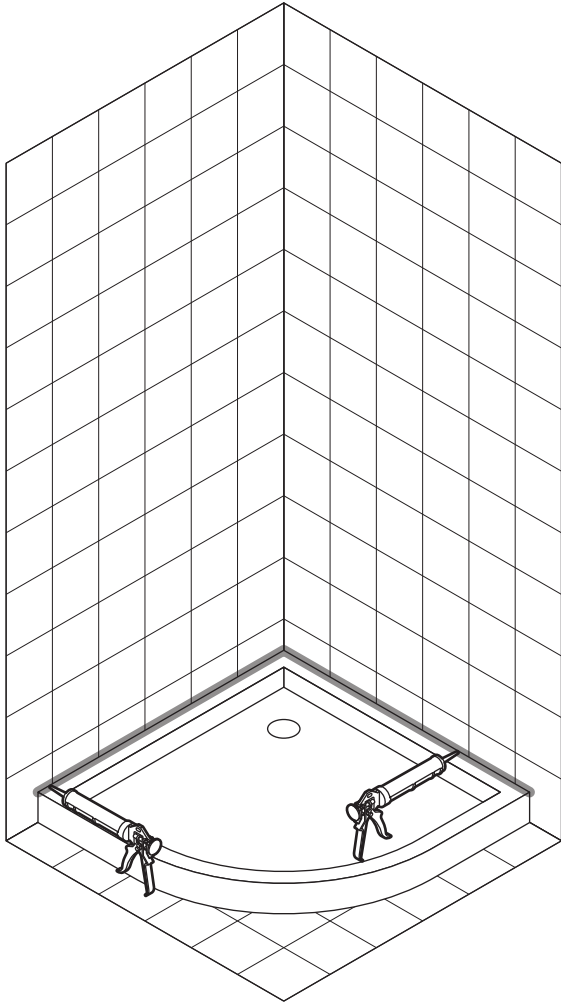


R	P	Lmm
80	795-815	785-805
90	885-915	875-905
100	985-1015	975-1005

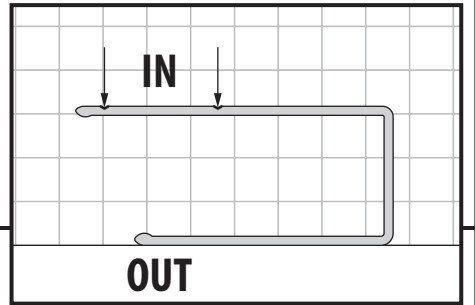
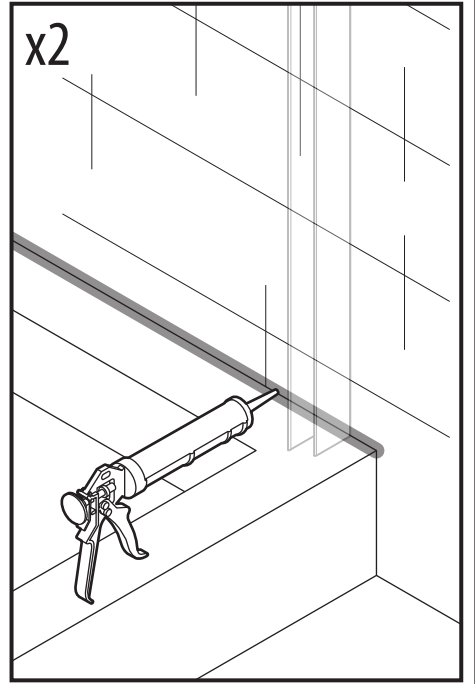
R	V	Lmm
80	779-799	785-805
90	869-899	875-905
100	969-999	975-1005



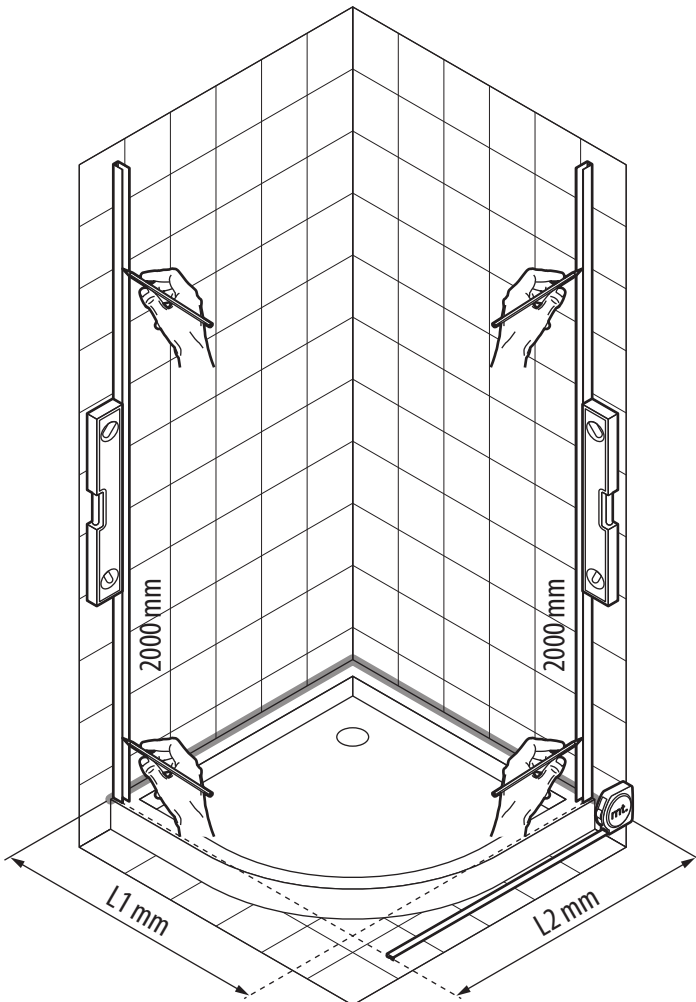
1



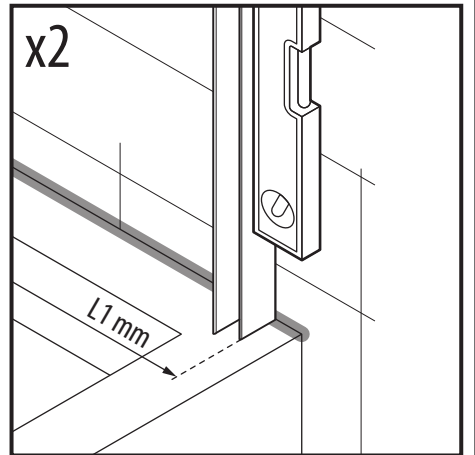
x2



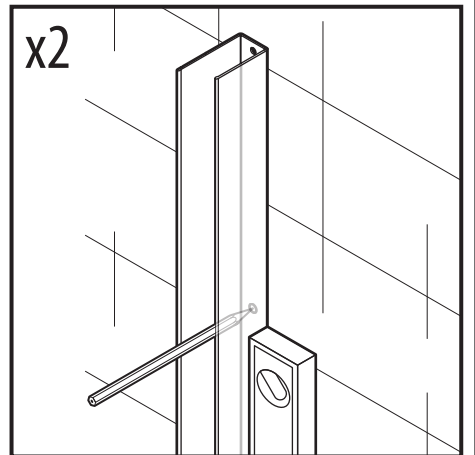
2



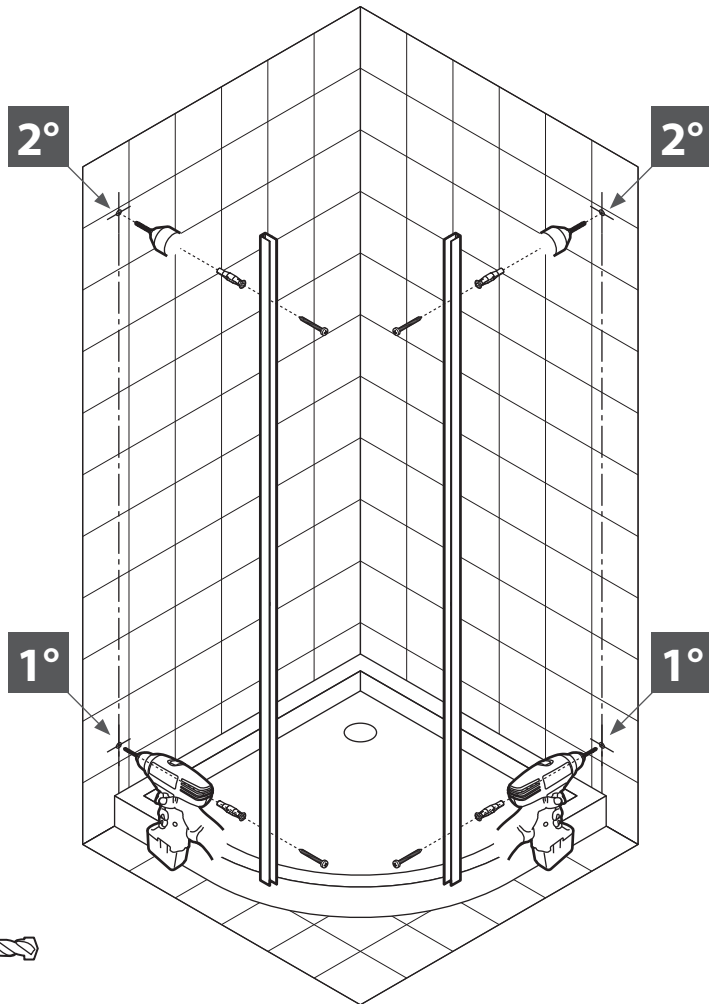
x2



x2



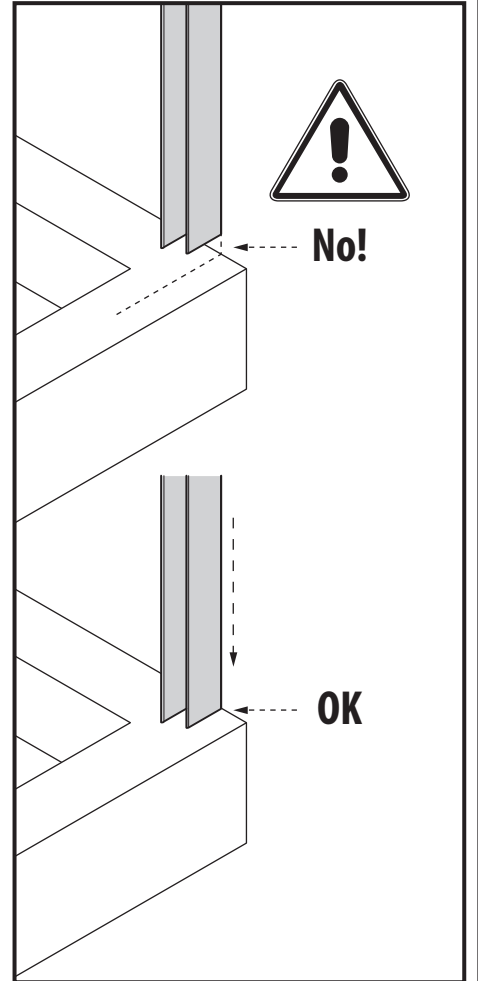
3



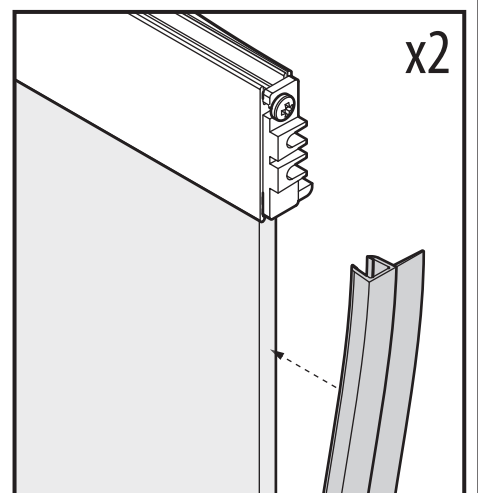
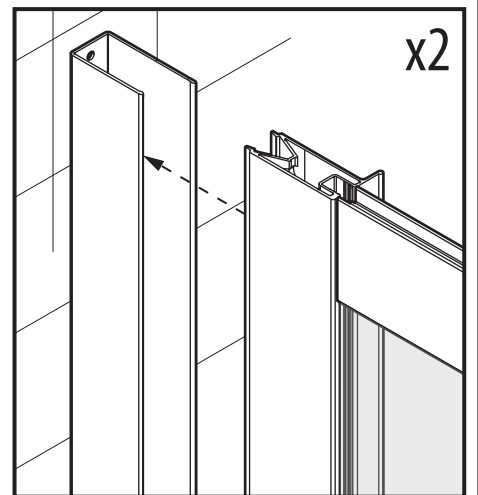
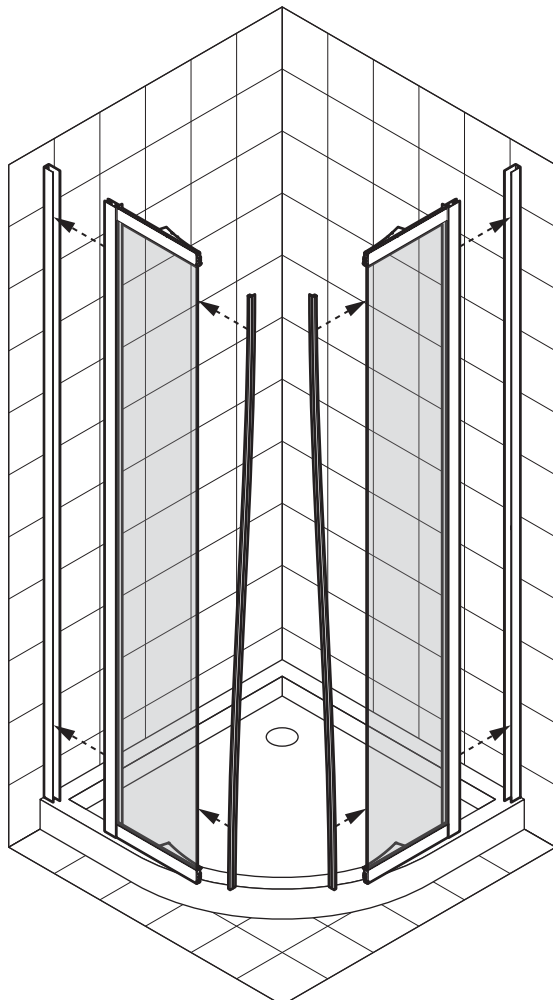
56 x 4

4 x 35 x 4

ø6 mm

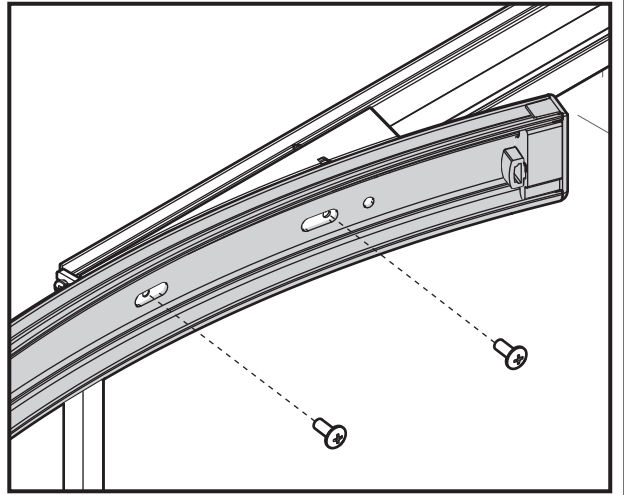
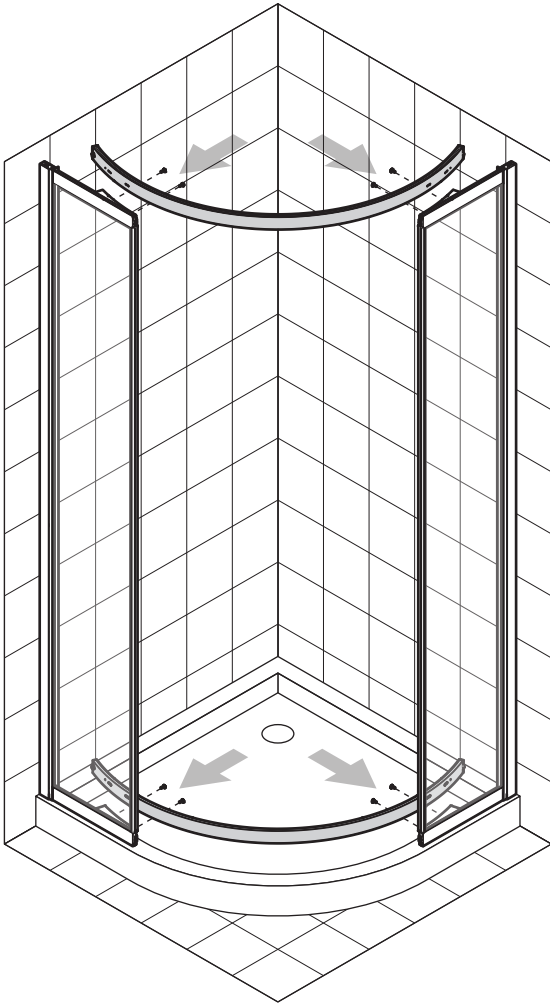


4

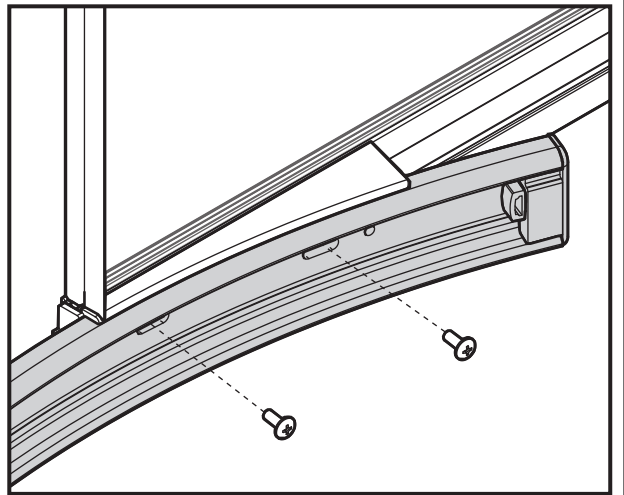


5

5

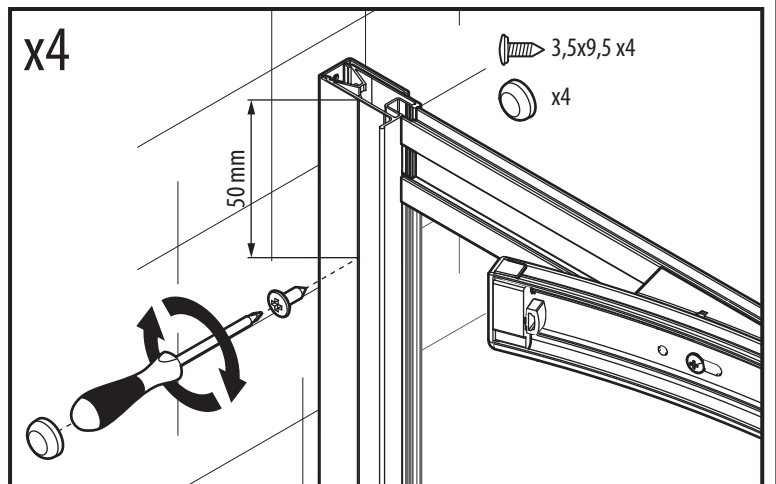
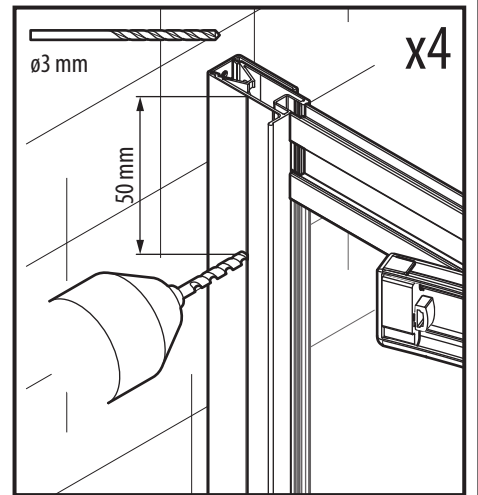
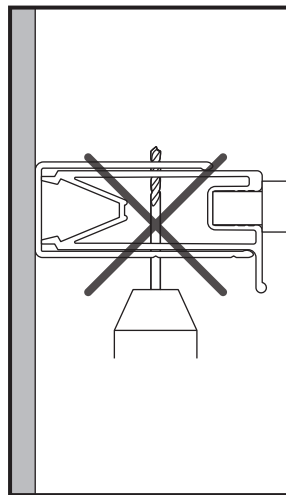
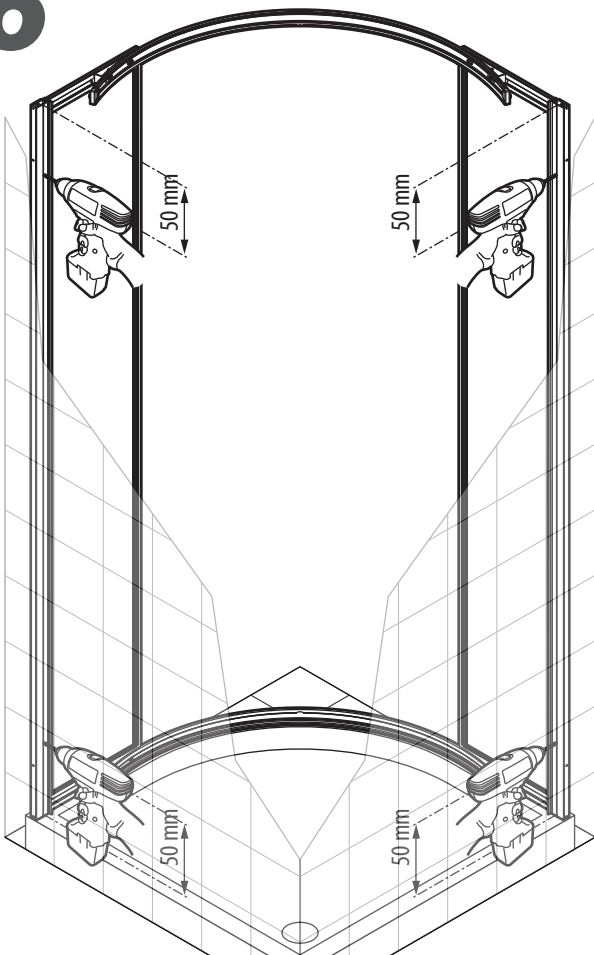


M4x10 x4



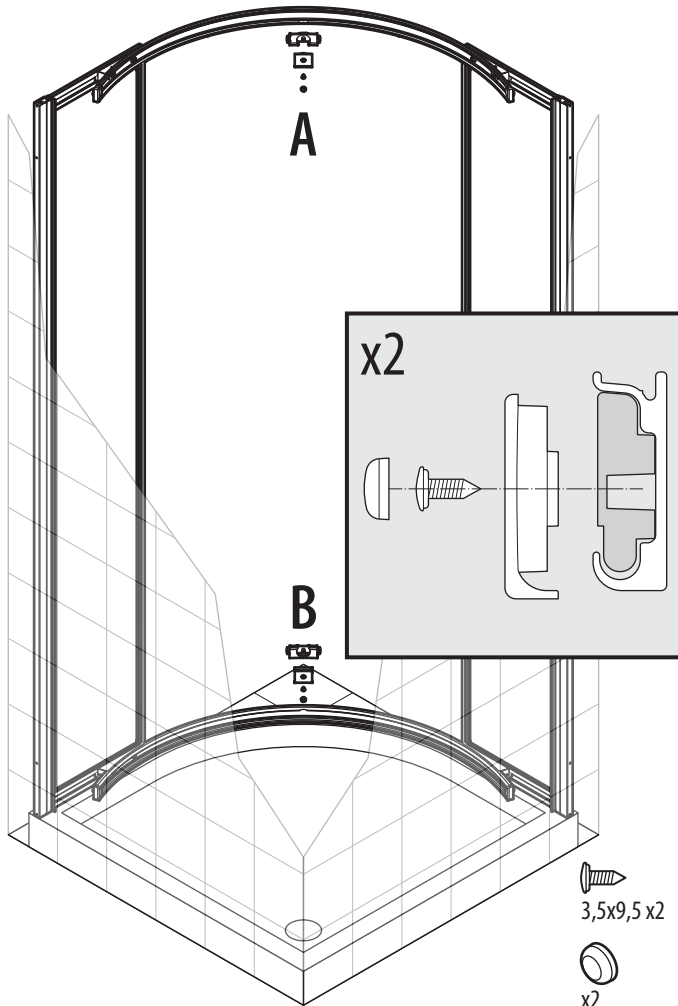
M4x10 x4

6

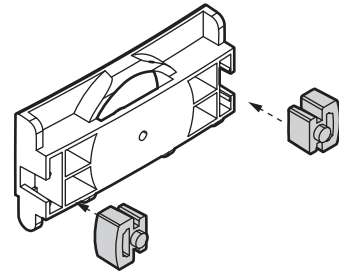


6

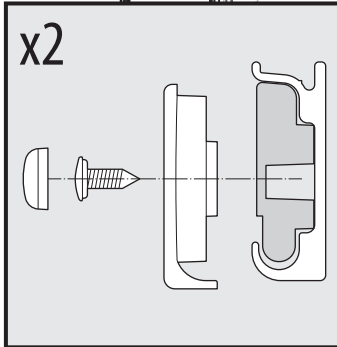
7



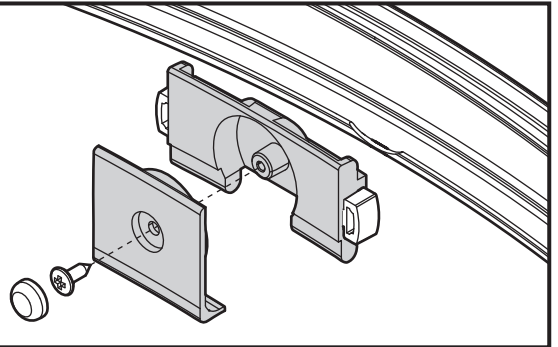
x2



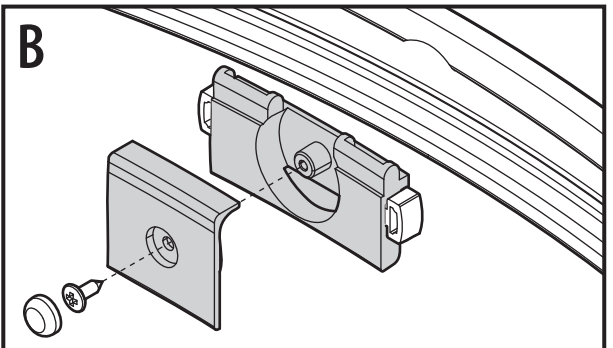
x2



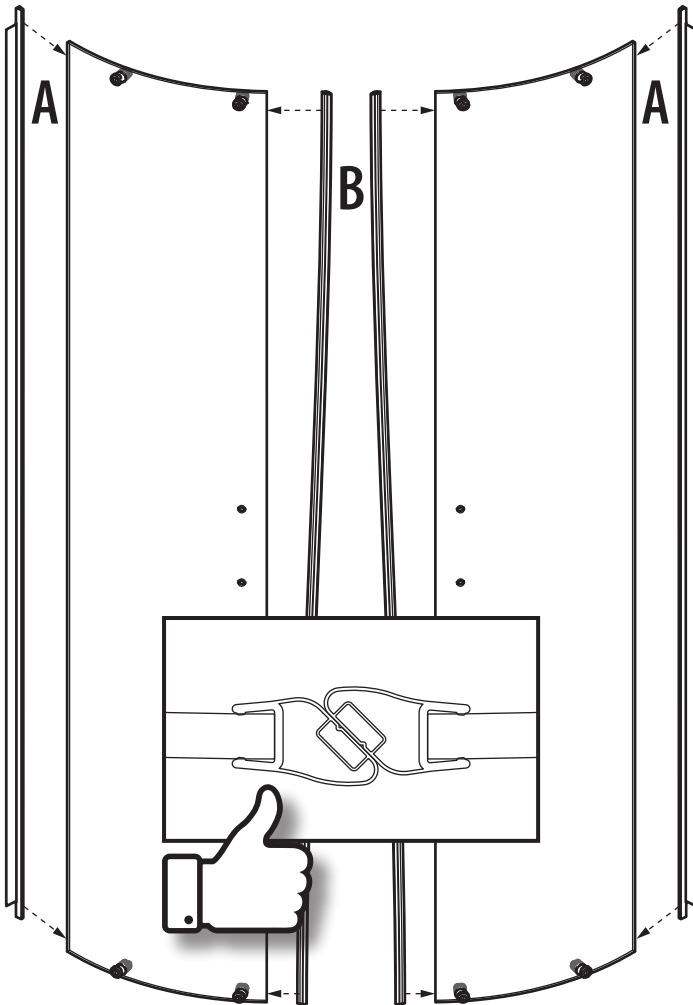
A



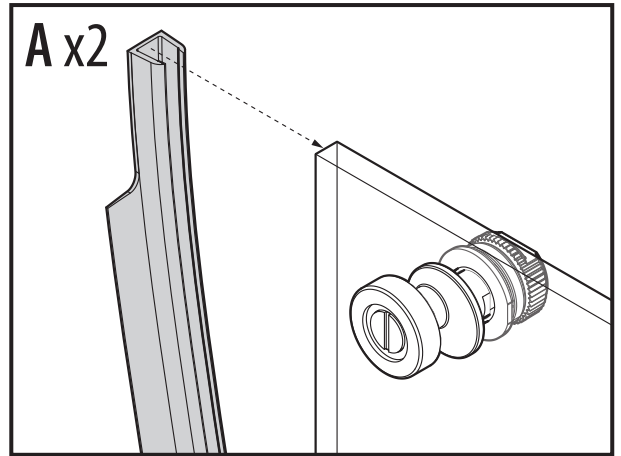
B



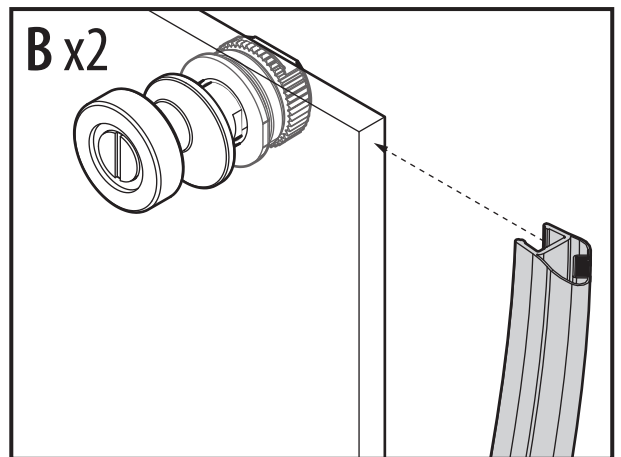
8



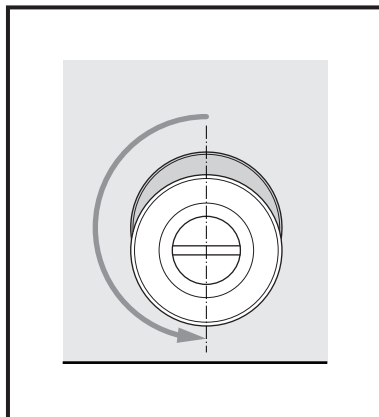
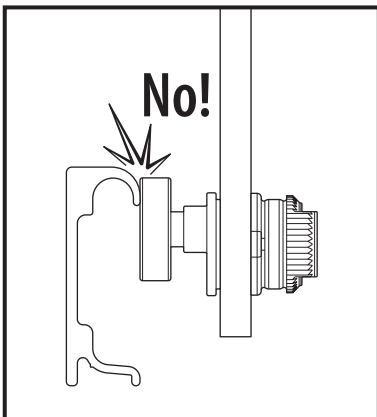
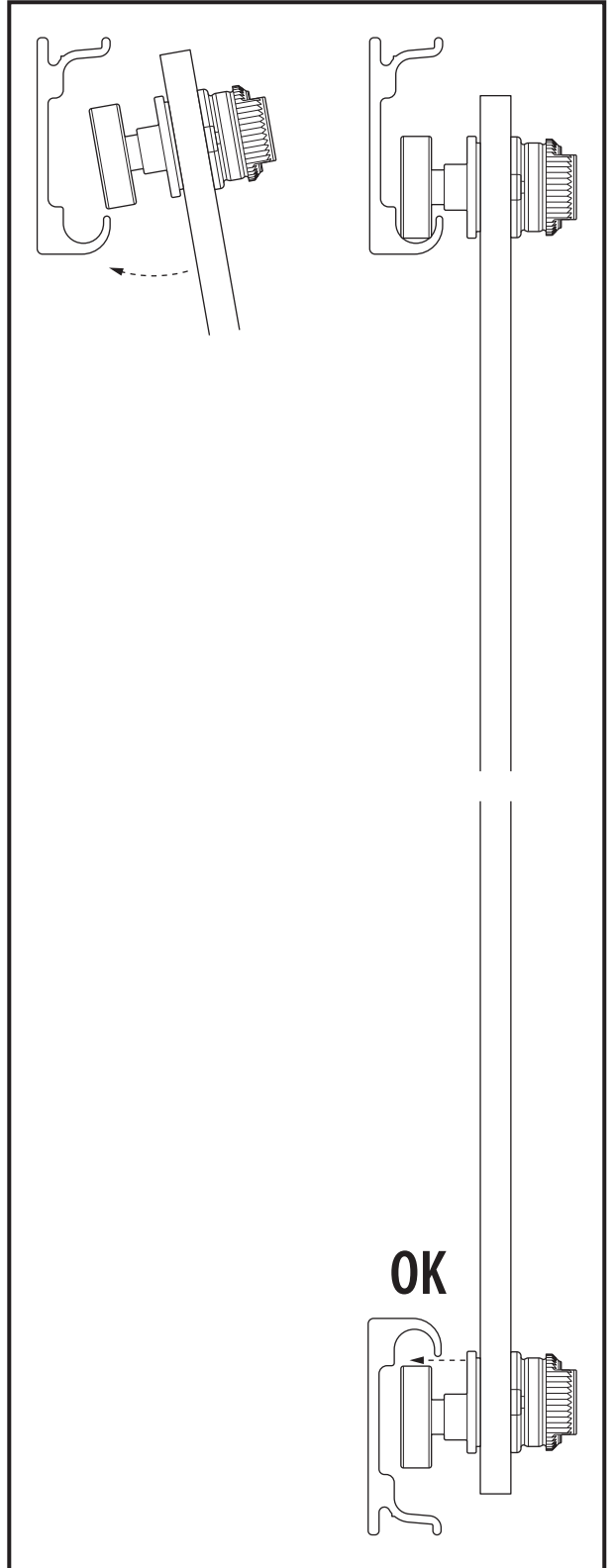
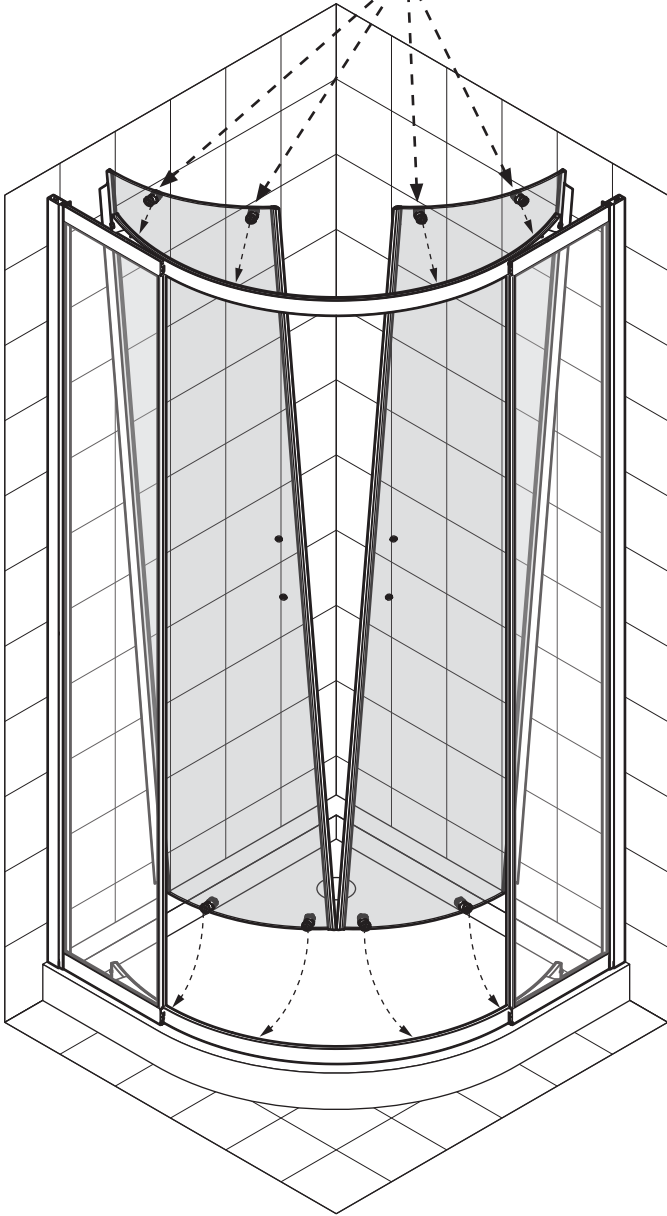
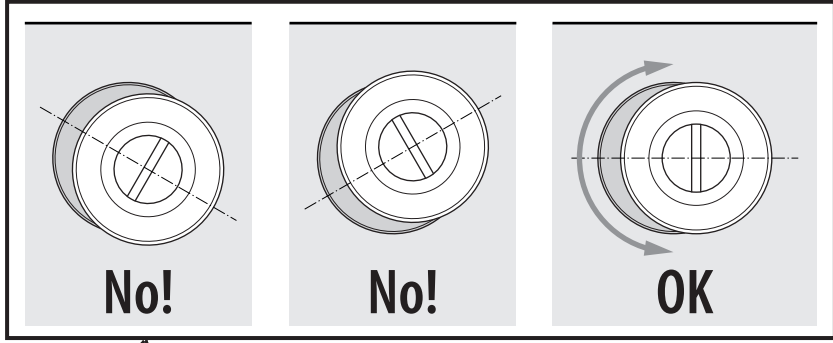
A x2



B x2

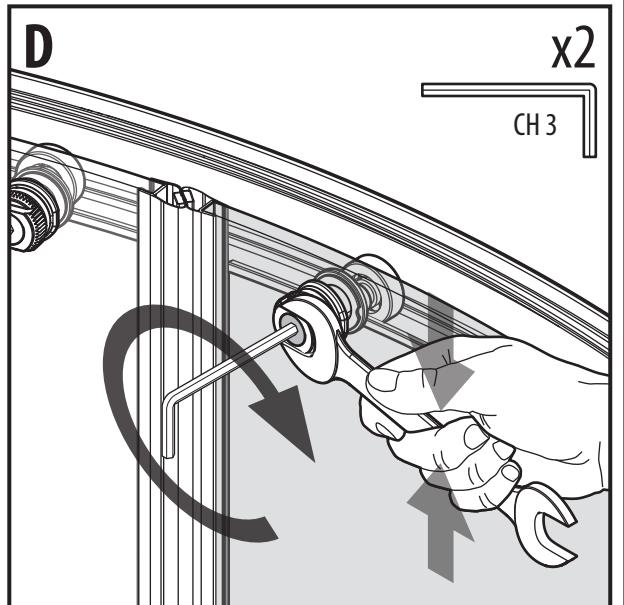
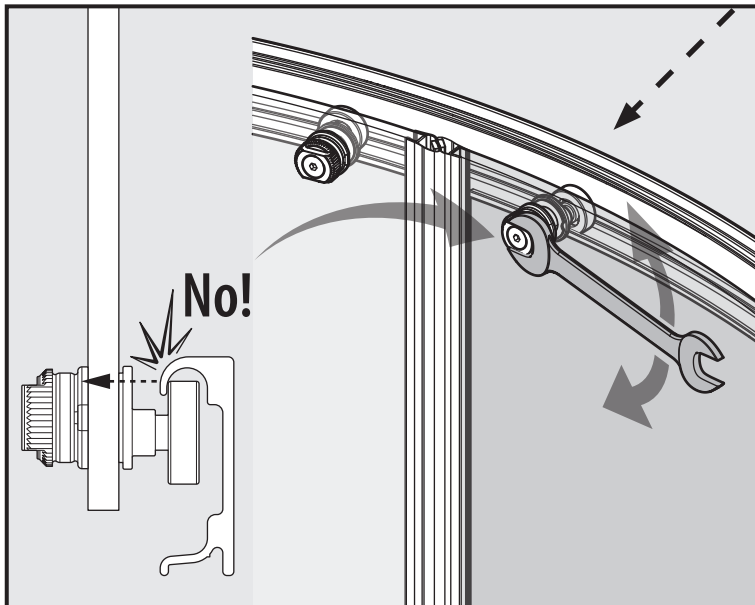
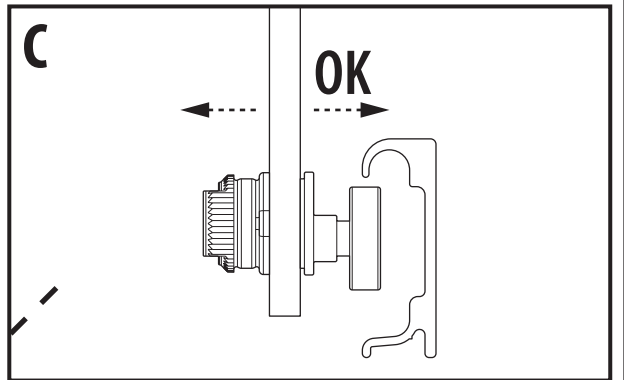
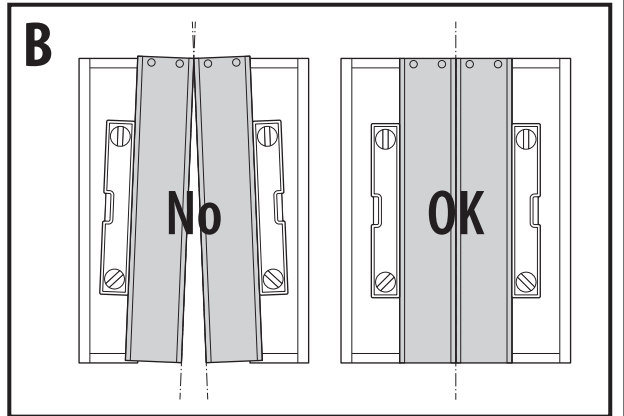
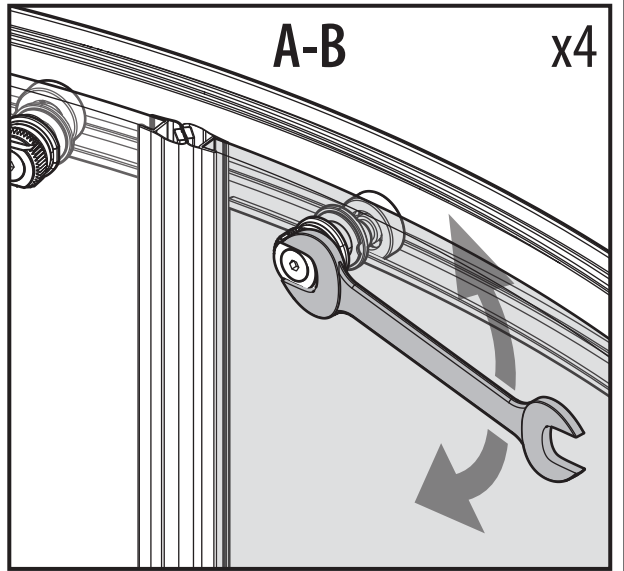
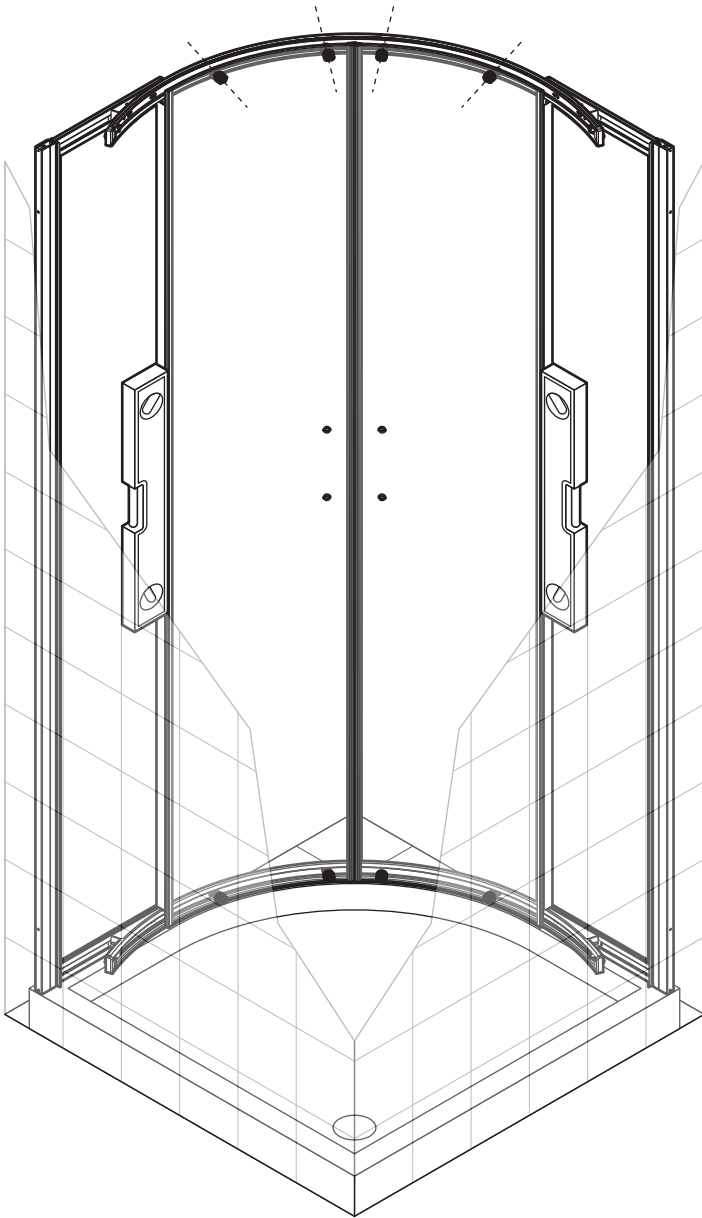


9

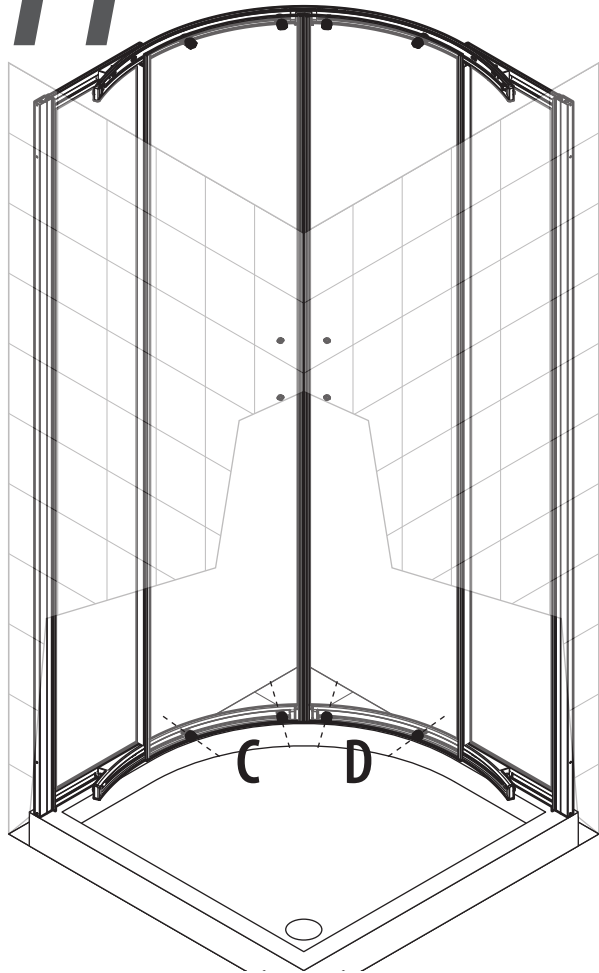


8

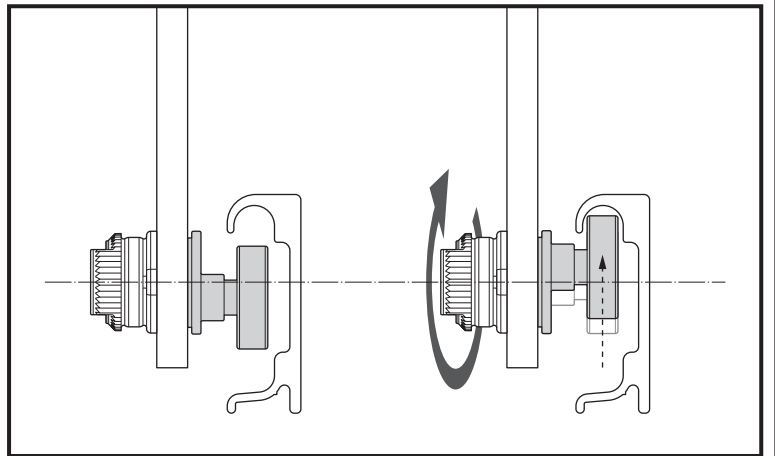
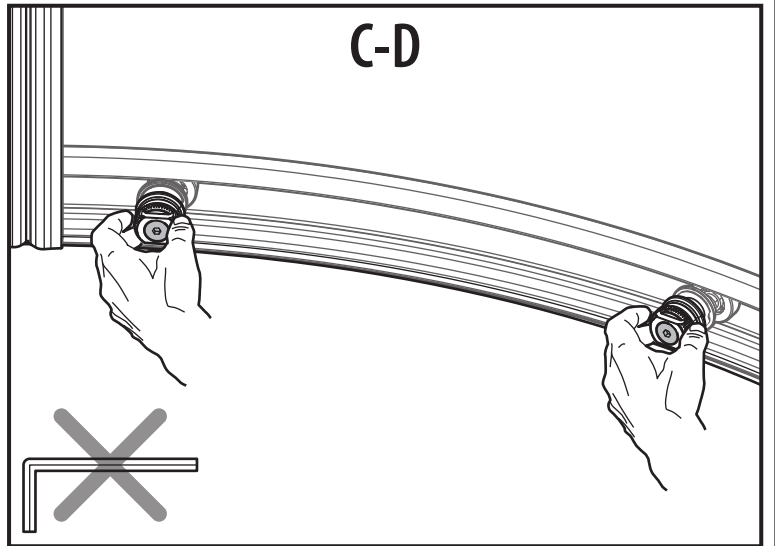
10



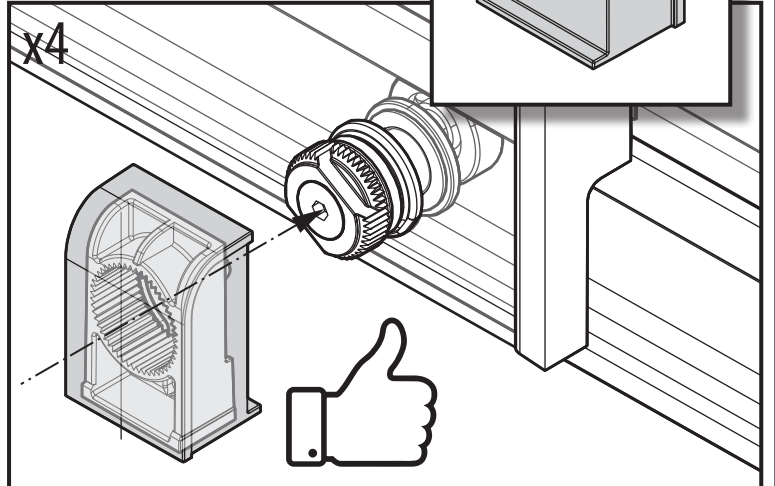
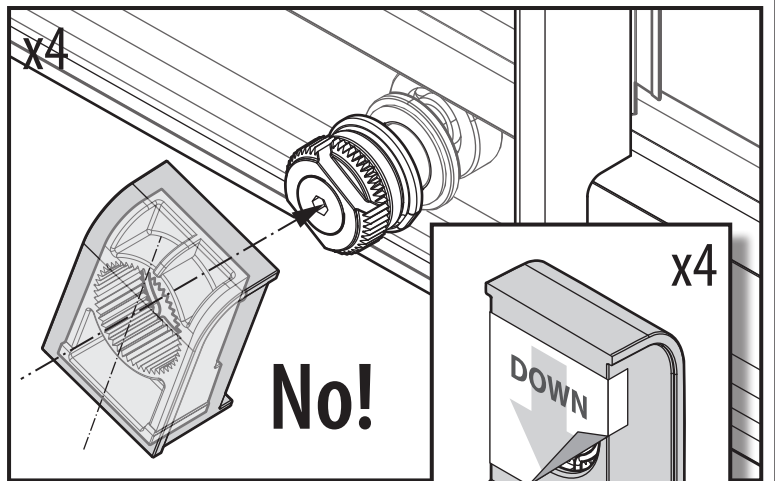
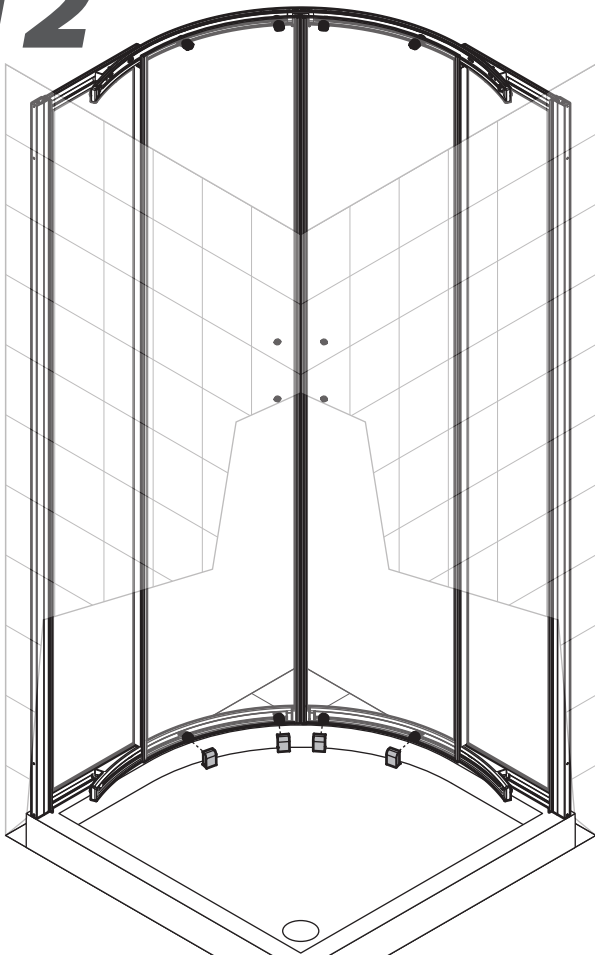
11



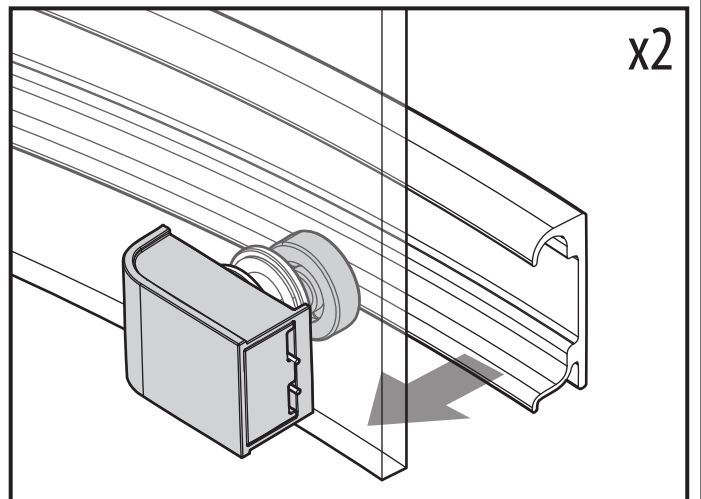
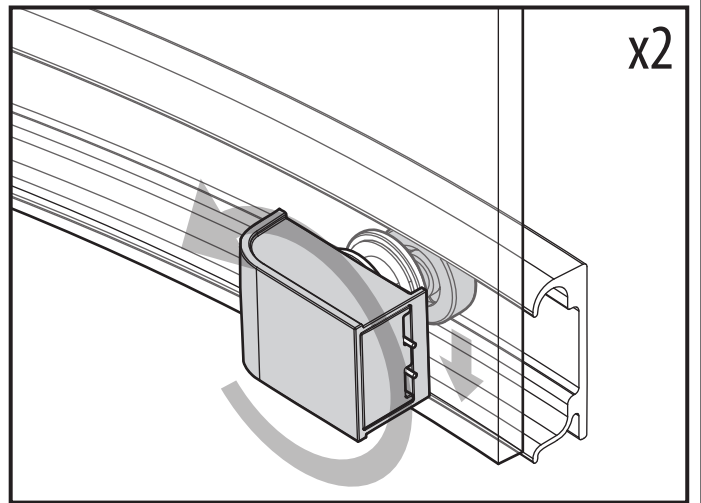
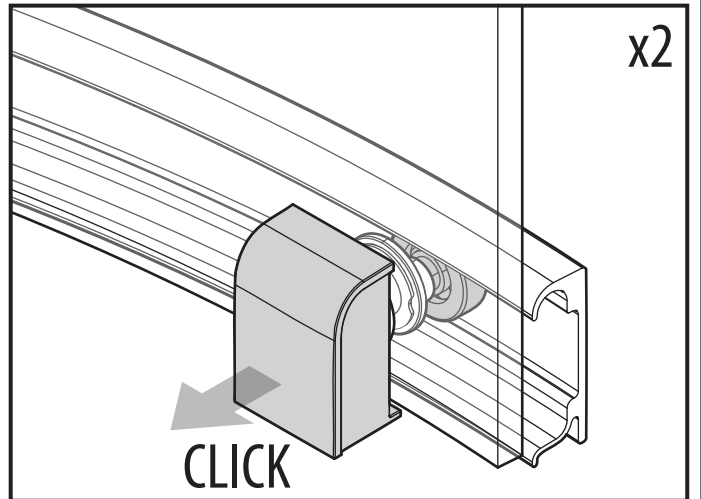
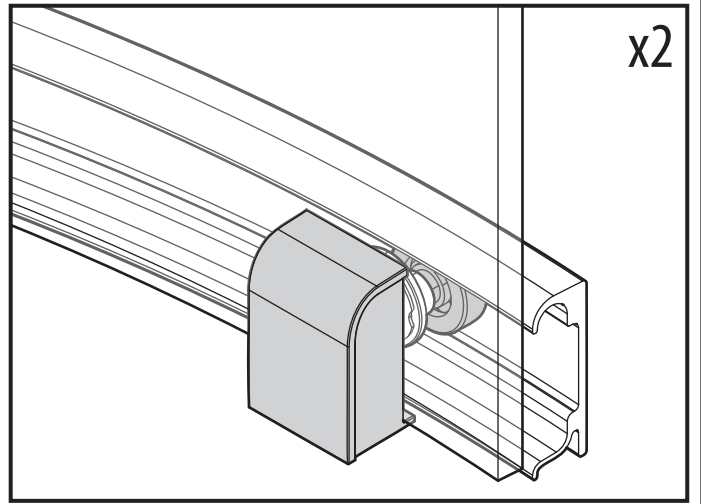
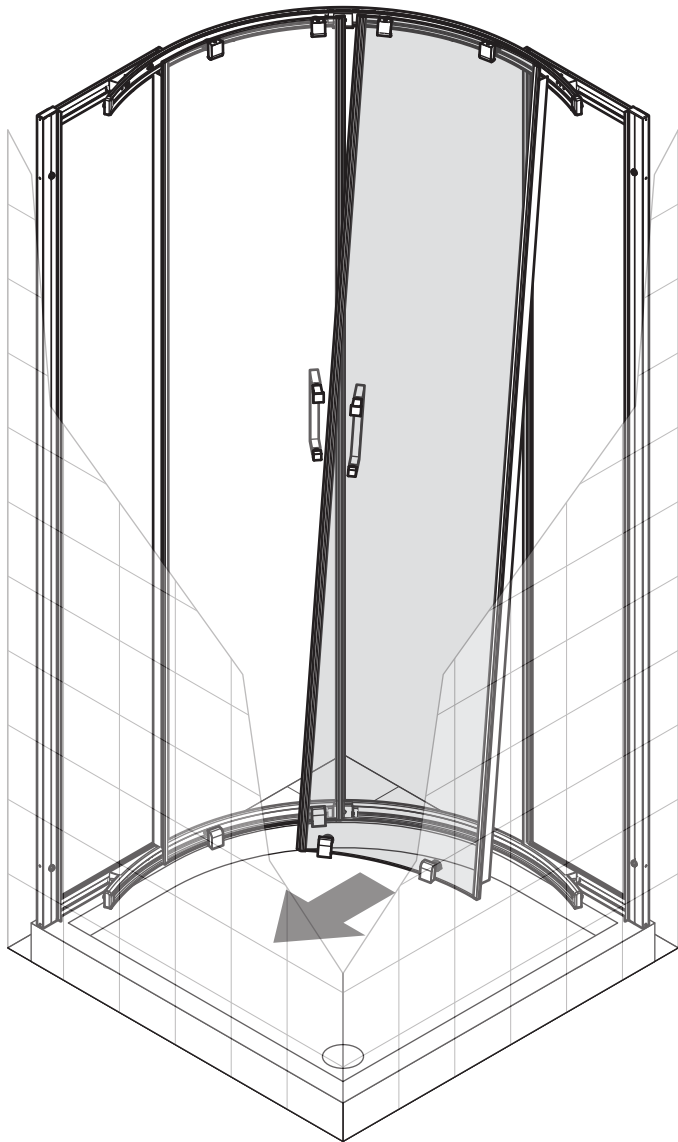
C-D



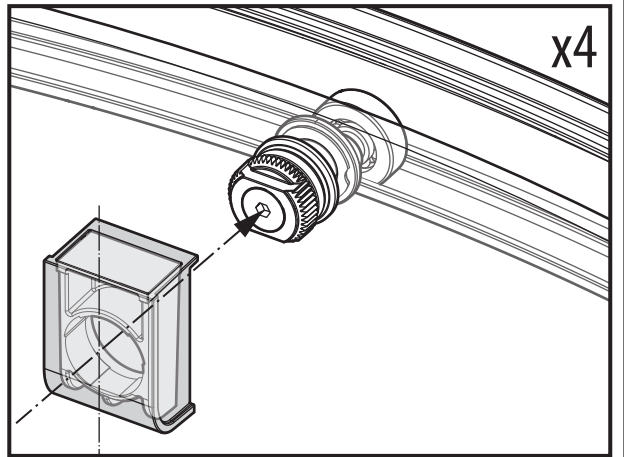
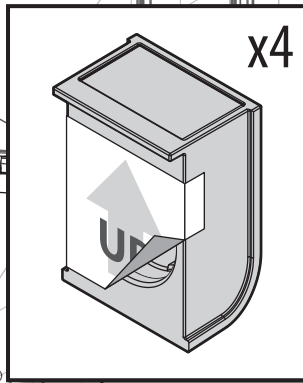
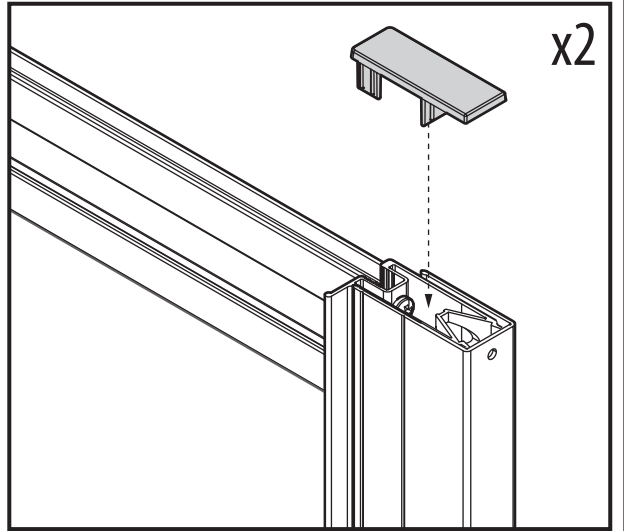
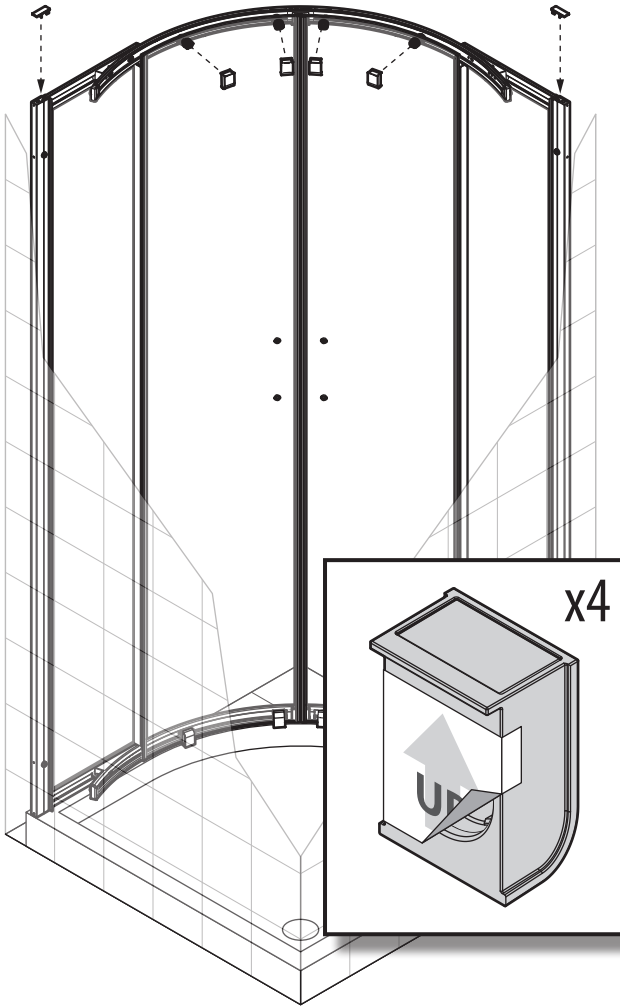
12



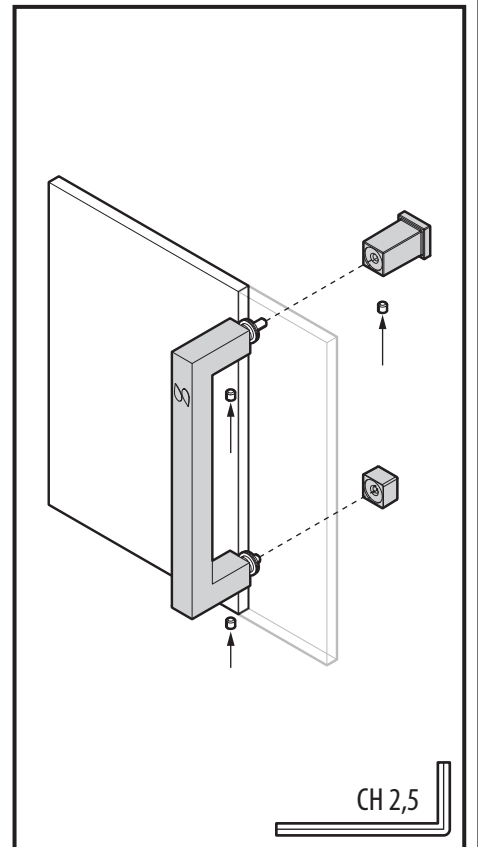
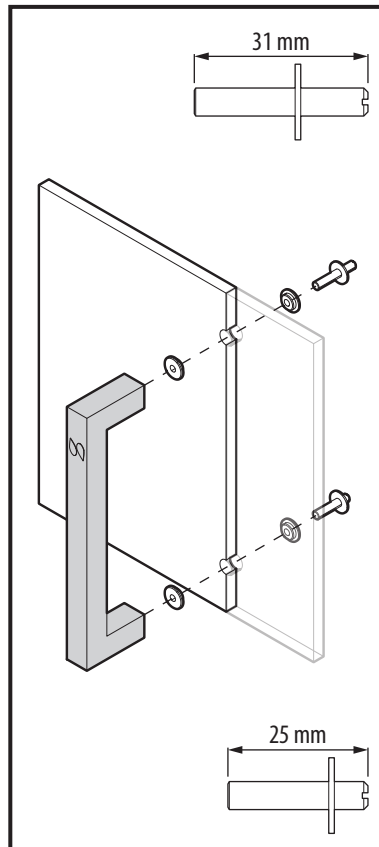
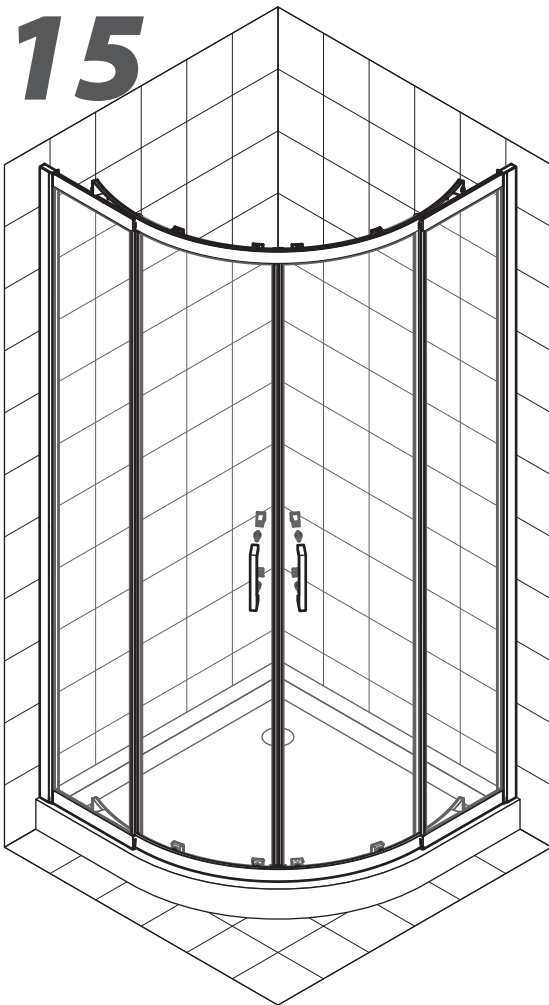
13



14

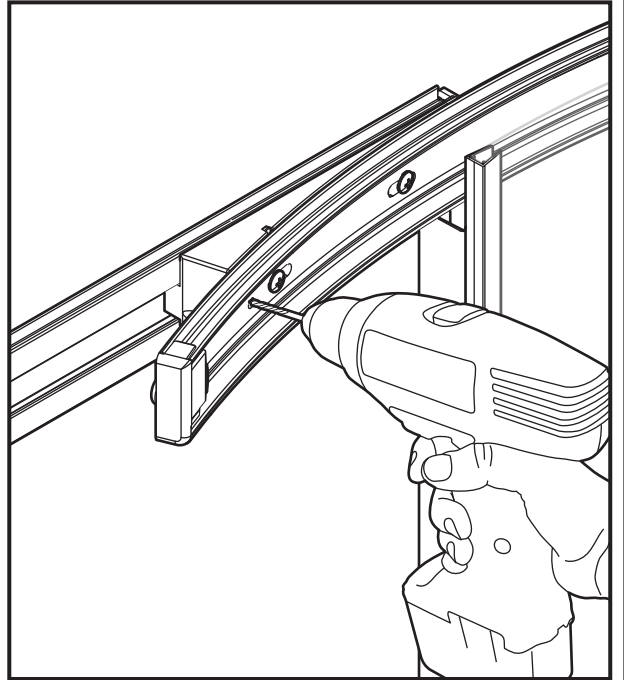
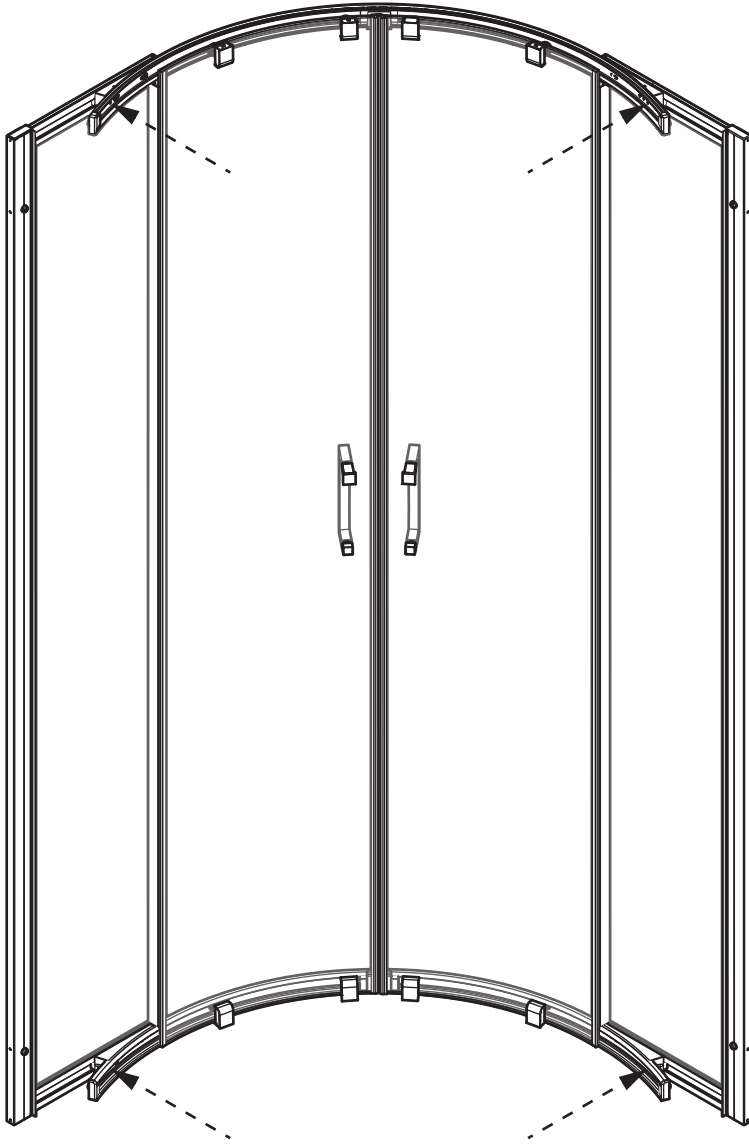


15



16

Mod. R80



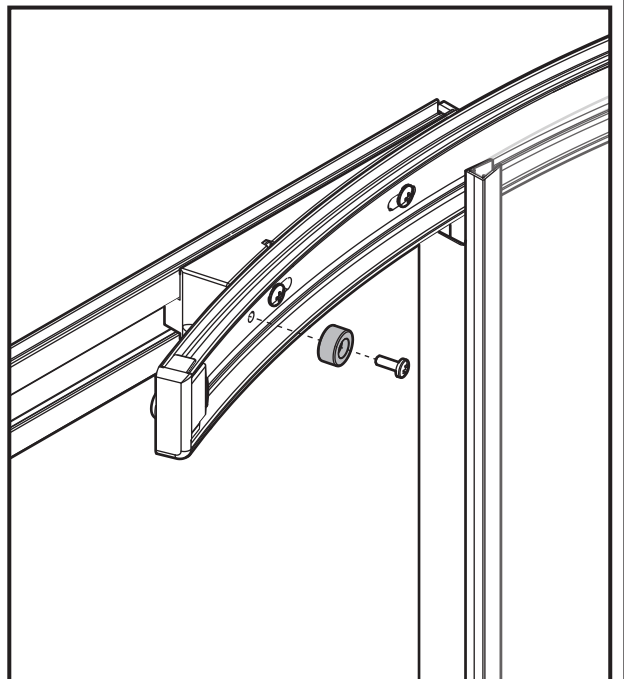
S6 x4



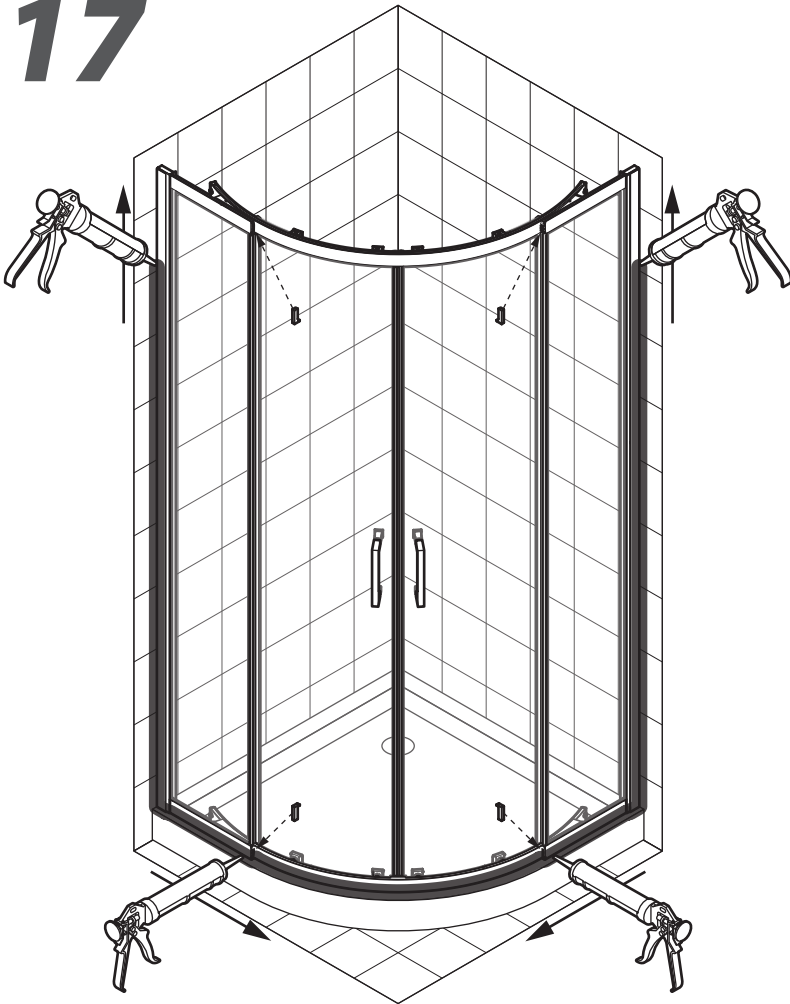
3,5x10 x4



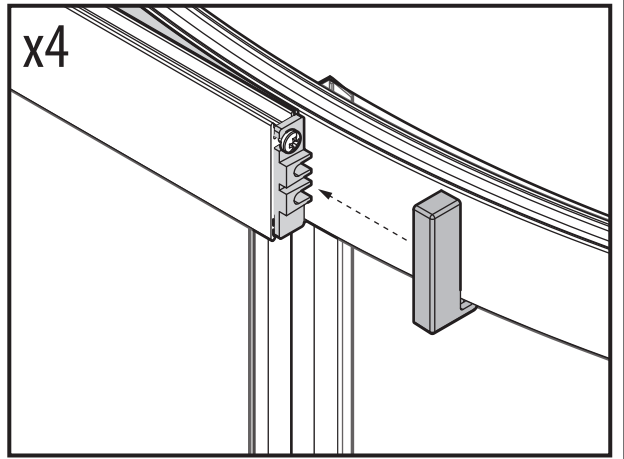
ø3 mm



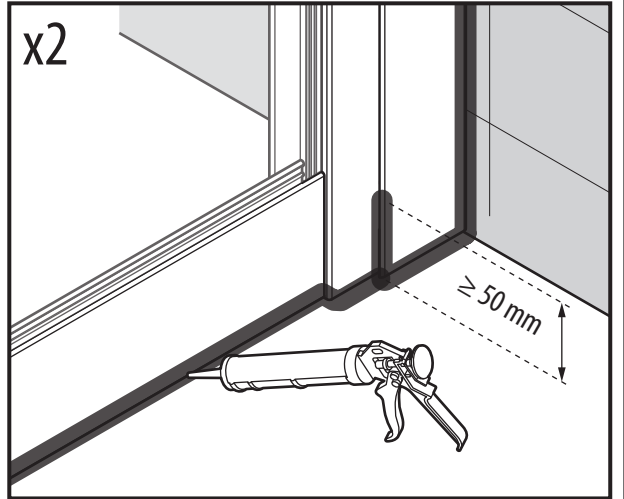
17



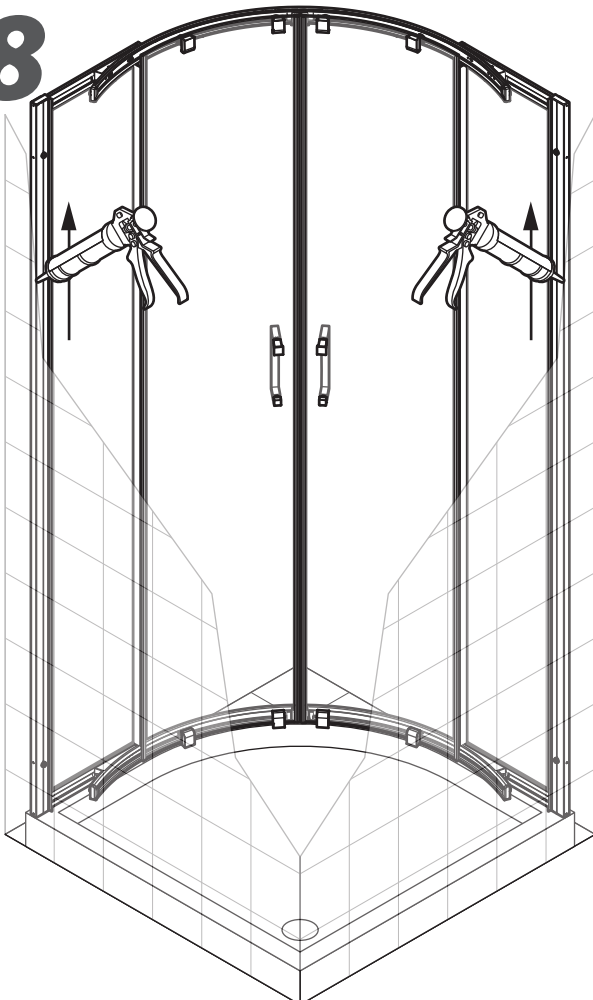
x4



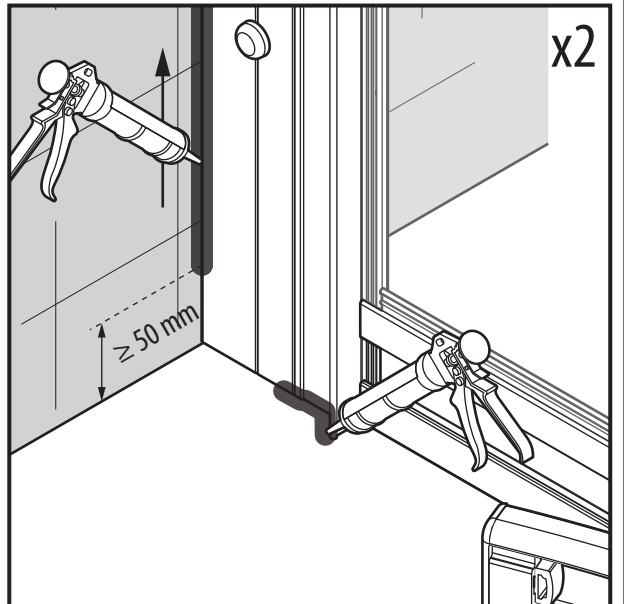
x2



18



x2



19

