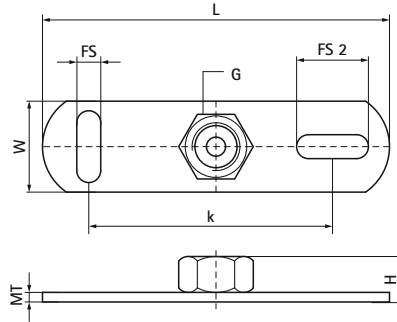
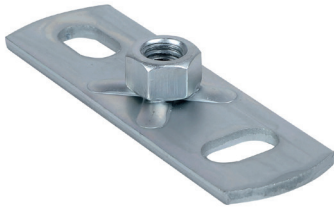


Walraven Wall Plate Resistance Welded (BUP1000)

(K1511)

fixing to wall or ceiling



Features & benefits

- fixings to ceiling or floor (only tension loads recommended)
- slots at 90° to each other to simplify fixing
- with resistance welded connection nut
- material: steel
- product is part of the Walraven UltraProtect® 1000 system
- suitable for in- and outdoor applications
- stands min. 1,000 hours salt spray test (max. 5% red rust) according to ISO 9227

Product Number	VVS Number	Connection Thread	Total Length	Total Width	Total Height	Material Thickness	Fixing Slot	Fixing Slot 2	Heart To Heart Distance	Maximum Allowed Load Faz
<i>Reference letter</i>		<i>G</i>	<i>L</i>	<i>W</i>	<i>H</i>	<i>MT</i>	<i>FS</i>	<i>FS 2</i>	<i>k</i>	<i>Fa,z</i>
<i>Unit description</i>			<i>mm</i>	<i>mm</i>	<i>mm</i>	<i>mm</i>	<i>mm</i>	<i>mm</i>	<i>mm</i>	<i>N</i>
6708008	018045568	M8	80	25	12	3.00	15x8,5	15x8,5	50	2,500
6708010	018045570	M10	80	25	14	3.00	15x8,5	15x8,5	50	2,500