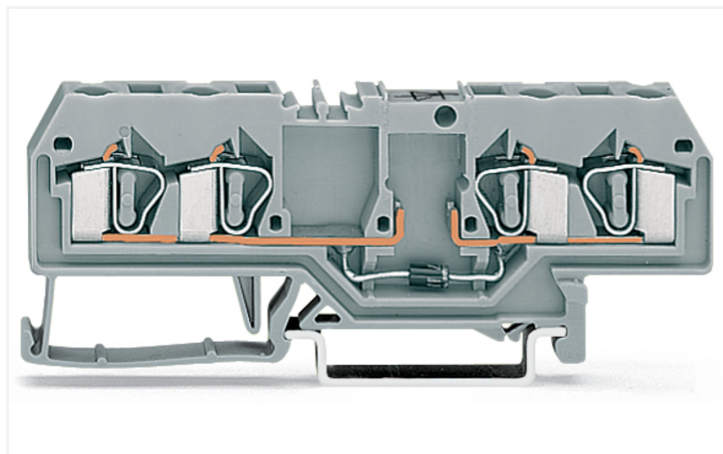


## Data Sheet | Item Number: 281-665/281-736

Component terminal block; 4-conductor; for DIN-rail 35 x 15 and 35 x 7.5; 4 mm<sup>2</sup>;  
CAGE CLAMP®; gray

<https://www.wago.com/281-665/281-736>



Color: ■ gray

Similar to illustration

### Notes

#### Safety Information

- Installation must be performed by qualified personnel only.
- The DIN-rail must be grounded.
- The input current must be protected by a suitable fuse.
- Protection against contact with stored charges must be ensured.
- Do not insert or remove pluggable modules when energized.
- The IP20 protection rating must be maintained in the assembled state or when using an end/intermediate plate compatible with the rail-mount terminal block.

### Electrical data

|                      |          |
|----------------------|----------|
| Operating voltage    | 250 VAC  |
| Power (max.)         | 0.6 W    |
| Thermal resistance   | 140 K/W  |
| Tolerance            | ±1 %     |
| Resistor type/design | DIN 0207 |

### Safety and protection

|                                 |      |
|---------------------------------|------|
| Rated impulse withstand voltage | 4 kV |
| Pollution degree                | 3    |

#### Safety Information

- Installation must be performed by qualified personnel only.
- The DIN-rail must be grounded.
- The input current must be protected by a suitable fuse.
- Protection against contact with stored charges must be ensured.
- Do not insert or remove pluggable modules when energized.
- The IP20 protection rating must be maintained in the assembled state or when using an end/intermediate plate compatible with the rail-mount terminal block.

|                 |      |
|-----------------|------|
| Protection type | IP20 |
|-----------------|------|

### Connection Data

|                            |   |
|----------------------------|---|
| Clamping units             | 4 |
| Total number of potentials | 1 |
| Number of levels           | 1 |

### Connection 1

|                                 |  |
|---------------------------------|--|
| Connection technology           | CAGE CLAMP®                                |
| Actuation type                  | Operating tool                             |
| Connectable conductor materials | Copper<br>Aluminum                         |
| Solid conductor                 | 0.08 ... 4 mm <sup>2</sup> / 28 ... 12 AWG |
| Fine-stranded conductor         | 0.08 ... 4 mm <sup>2</sup> / 28 ... 12 AWG |
| Strip length                    | 9 ... 10 mm / 0.35 ... 0.39 inches         |

### Physical data

|                                   |                      |
|-----------------------------------|----------------------|
| Width                             | 6 mm / 0.236 inches  |
| Height                            | 86 mm / 3.386 inches |
| Depth from upper-edge of DIN-rail | 29 mm / 1.142 inches |

### Material data

|                                    |                  |
|------------------------------------|------------------|
| Color                              | gray             |
| Insulation material (main housing) | Polyamide (PA66) |
| Material group                     | I                |
| Flammability class per UL94        | V0               |
| Fire load                          | 0.204 MJ         |
| Weight                             | 14 g             |

### Environmental requirements

|                                 |                |
|---------------------------------|----------------|
| Ambient temperature (operation) | -25 ... +70 °C |
|---------------------------------|----------------|

### Standards and Specifications

|                          |  |
|--------------------------|--|
| Standards/specifications | EN 60947-7-1<br>EN 60664-1<br>EN 60565 |
|--------------------------|--|

### Commercial data

|                       |               |
|-----------------------|---------------|
| PU (SPU)              | 50 pcs        |
| Packaging type        | Box           |
| Country of origin     | DE            |
| GTIN                  | 4045454197551 |
| Customs tariff number | 85369010000   |

### Product Classification

|           |                      |
|-----------|----------------------|
| UNSPSC    | 39121410             |
| ETIM 9.0  | EC000903             |
| ETIM 10.0 | EC000903             |
| ECCN      | NO US CLASSIFICATION |

### Environmental Product Compliance

RoHS Compliance Status

Compliant, No Exemption

### Downloads

#### Environmental Product Compliance

##### Compliance Search

Environmental Product  
Compliance  
281-665/281-736

