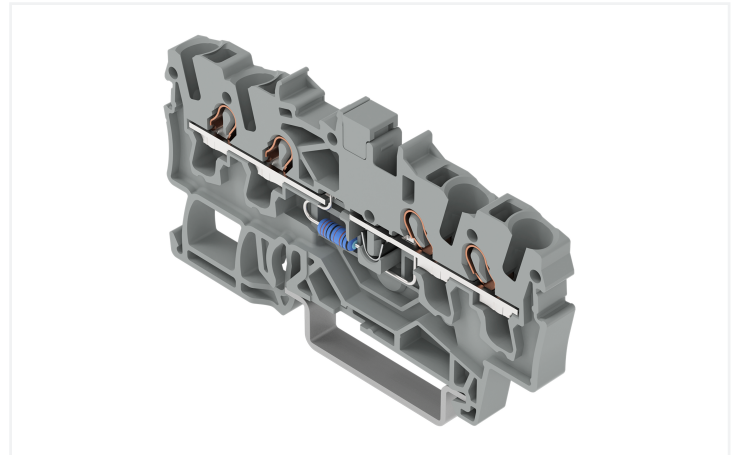
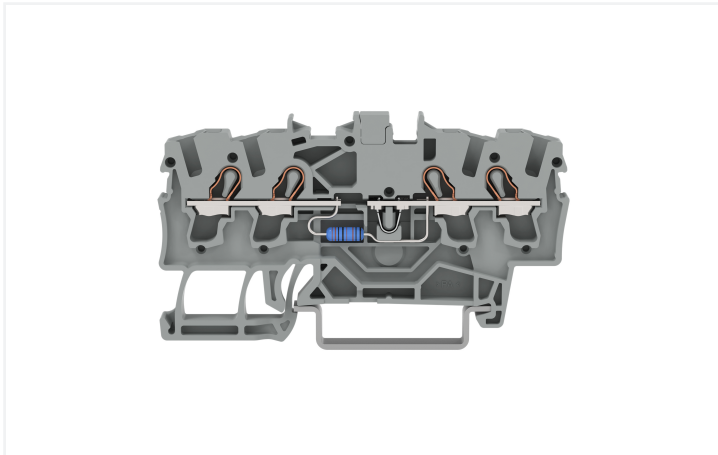


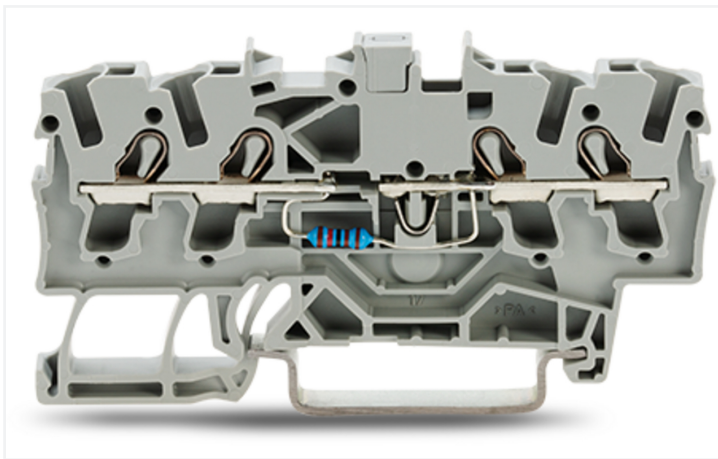
**Data Sheet | Item Number: 2002-1411/1000-523**

Component terminal block; 4-conductor; with 1K8 resistor; BF 0207; for DIN-rail 35 x 15 and 35 x 7.5; 2.5 mm<sup>2</sup>; Push-in CAGE CLAMP®; gray

<https://www.wago.com/2002-1411/1000-523>



Color: ■ gray



Similar to illustration

## Notes

### Safety Information

- Installation must be performed by qualified personnel only.
- The DIN-rail must be grounded.
- The input current must be protected by a suitable fuse.
- Protection against contact with stored charges must be ensured.
- Do not insert or remove pluggable modules when energized.
- The IP20 protection rating must be maintained in the assembled state or when using an end/intermediate plate compatible with the rail-mount terminal block.

### Electrical data

Operating voltage	250 VAC
Load current per potential	24 A
Resistor	1K8
Resistor type/design	DIN 0207

### Safety and protection

Rated impulse withstand voltage	4 kV
Pollution degree	3
Safety Information	<ul style="list-style-type: none"> <li>- Installation must be performed by qualified personnel only.</li> <li>- The DIN-rail must be grounded.</li> <li>- The input current must be protected by a suitable fuse.</li> <li>- Protection against contact with stored charges must be ensured.</li> <li>- Do not insert or remove pluggable modules when energized.</li> <li>- The IP20 protection rating must be maintained in the assembled state or when using an end/intermediate plate compatible with the rail-mount terminal block.</li> </ul>
Protection type	IP20

### Connection Data

Clamping units	4	<b>Connection 1</b>	
Total number of potentials	1	Connection technology	Push-in CAGE CLAMP®
Number of levels	1	Actuation type	Operating tool
		Connectable conductor materials	Copper
		Solid conductor	0.25 ... 4 mm <sup>2</sup> / 22 ... 12 AWG
		Fine-stranded conductor	0.25 ... 4 mm <sup>2</sup> / 22 ... 12 AWG
		Strip length	10 ... 12 mm / 0.39 ... 0.47 inches

### Physical data

Width	5.2 mm / 0.205 inches
Height	69.9 mm / 2.752 inches
Depth from upper-edge of DIN-rail	32.9 mm / 1.295 inches

### Material data

Color	gray
Insulation material (main housing)	Polyamide (PA66)
Material group	I
Flammability class per UL94	V0
Fire load	0.172 MJ
Weight	7.7 g

### Environmental requirements

Ambient temperature (operation)	-25 ... +70 °C
Processing temperature	-35 ... +85 °C

**Standards and Specifications**

Standards/specifications	EN 60947-7-1 EN 60664-1 EN 60529
--------------------------	--

**Commercial data**

Product Group	22 (TOPJOB S)
PU (SPU)	100 pcs
Packaging type	Box
Country of origin	DE
GTIN	4045454621513
Customs tariff number	85369010000

**Product Classification**

UNSPSC	39121410
ETIM 9.0	EC000903
ETIM 10.0	EC000903
ECCN	NO US CLASSIFICATION

**Environmental Product Compliance**

RoHS Compliance Status	Compliant, No Exemption
------------------------	-------------------------

**Approvals / Certificates**

**Declarations of conformity and manufacturer's declarations**

Approval	Standard	Certificate Name
EU-Declaration of Conformity WAGO GmbH & Co. KG	-	-
UK-Declaration of Conformity WAGO GmbH & Co. KG	-	-

**Downloads**

**Environmental Product Compliance**

Compliance Search	
Environmental Product Compliance 2002-1411/1000-523	<a href="#">↓</a>

CAD/CAE-Data

CAD data

2D/3D Models  
2002-1411/1000-523

