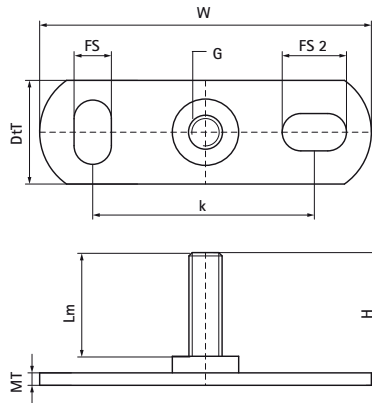


Walraven Stainless Steel Wall Plate with Welded Stud Bolt 672

(M6510)

fixing to wall or ceiling



Features & benefits

- fixings to ceiling or floor (only tension loads recommended)
- slots at 90° to each other to simplify fixing
- with resistance welded male stud bolt
- material: stainless steel A2 (1.4301/ AISI 304)

| Product Number | Connection Thread | Length Metrical Thread | Total Length | Total Width | Total Height | Material Thickness | Fixing Slot | Fixing Slot 2 | Heart To Heart Distance | Maximum Allowed Load Faz |
|------------------|-------------------|------------------------|--------------|-------------|--------------|--------------------|-------------|---------------|-------------------------|--------------------------|
| Reference letter | G | Lm | L | W | H | MT | FS | FS 2 | k | F _{o,z} |
| Unit description | | mm | mm | mm | mm | mm | mm | mm | mm | N |
| 6727008 | M8 | 35 | 80 | 25 | 44 | 3.00 | 15x8,5 | 15x8,5 | 50 | 2,500 |