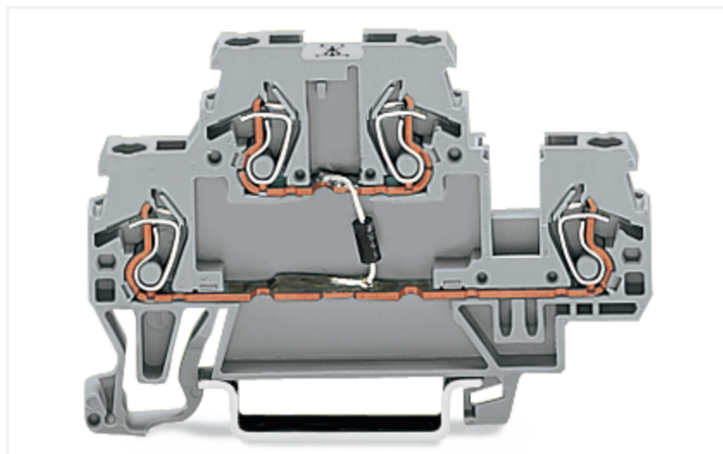


## Data Sheet | Item Number: 870-540/281-793

Component terminal block; double-deck; with 3K3 resistor; for DIN-rail 35 x 15 and 35 x 7.5; 2.5 mm<sup>2</sup>; CAGE CLAMP®; gray

<https://www.wago.com/870-540/281-793>



Color: ■ gray

Similar to illustration

### Notes

#### Safety Information

- Installation must be performed by qualified personnel only.
- The DIN-rail must be grounded.
- The input current must be protected by a suitable fuse.
- Protection against contact with stored charges must be ensured.
- Do not insert or remove pluggable modules when energized.
- The IP20 protection rating must be maintained in the assembled state or when using an end/intermediate plate compatible with the rail-mount terminal block.

### Electrical data

Operating voltage	250 VAC
Power (max.)	0.6 W
Thermal resistance	140 K/W
Tolerance	±1 %
Resistor type/design	DIN 0207

### Safety and protection

Rated impulse withstand voltage	4 kV
Pollution degree	3

#### Safety Information

- Installation must be performed by qualified personnel only.
- The DIN-rail must be grounded.
- The input current must be protected by a suitable fuse.
- Protection against contact with stored charges must be ensured.
- Do not insert or remove pluggable modules when energized.
- The IP20 protection rating must be maintained in the assembled state or when using an end/intermediate plate compatible with the rail-mount terminal block.

Protection type	IP20
-----------------	------

### Connection data

Clamping units	4	<b>Connection 1</b>	
Total number of potentials	1	Connection technology	CAGE CLAMP®
Number of levels	2	Actuation type	Operating tool
		Connectable conductor materials	Copper
		Solid conductor	0.08 ... 2.5 mm <sup>2</sup> / 28 ... 14 AWG
		Fine-stranded conductor	0.08 ... 4 mm <sup>2</sup> / 28 ... 12 AWG
		Strip length	6 ... 7 mm / 0.24 ... 0.28 inches

### Physical data

Width	5 mm / 0.197 inches
Height	70 mm / 2.756 inches
Depth from upper-edge of DIN-rail	40 mm / 1.575 inches

### Material data

Color	gray
Insulation material (main housing)	Polyamide (PA66)
Material group	I
Flammability class per UL94	V0
Fire load	0.163 MJ
Weight	9.5 g

### Environmental requirements

Ambient temperature (operation)	-25 ... +70 °C
Processing temperature	-35 ... +85 °C

### Standards and specifications

Standards/specifications	EN 60947-7-1 EN 60664-1 EN 60577
--------------------------	--

### Commercial data

Product Group	16 (Rail Mounted Terminal Blocks with CCC)
PU (SPU)	50 pcs
Packaging type	Box
Country of origin	DE
GTIN	4050821868453
Customs tariff number	85369010000

### Product Classification

UNSPSC	39121410
ETIM 9.0	EC000903
ETIM 8.0	EC000903
ECCN	NO US CLASSIFICATION

### Environmental Product Compliance

RoHS Compliance Status

Compliant, No Exemption

### Downloads

#### Environmental Product Compliance

##### Compliance Search

Environmental Product  
Compliance  
870-540/281-793

