

35 050 970 90



- red brass, lead-free
- 2x female thread 1/2" connections
- dust cover
- anti-water packing
- soundproofing
- WRAS

Recommended miscellaneous

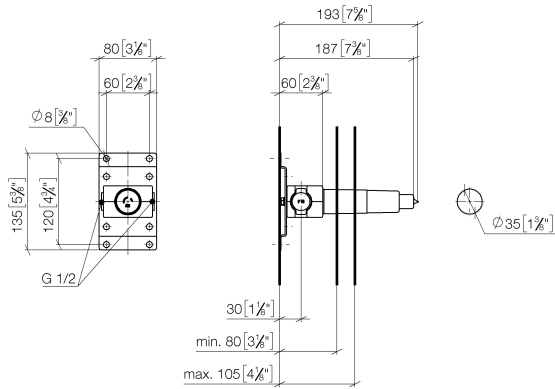
Extension 25 mm -

12 055 970 90



35 050 970 90

mm [inches]



Codes & Standards

EN 817

Scottish Water
Byelaws

UK Water Supply
Regulations

Certificates and sustainability

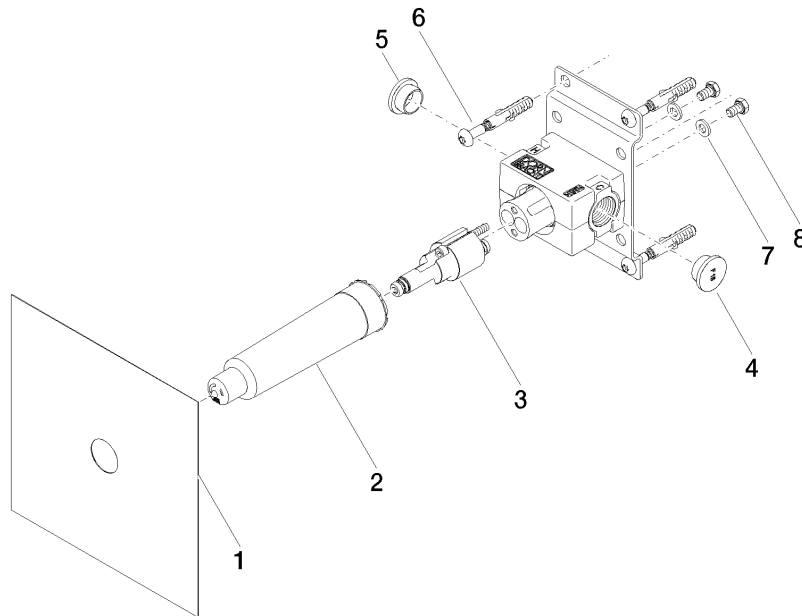
WRAS_2101

DVGW_DW-
6512DN0

WRAS_2011

EPD-DOR-20230287
-IBA1-EN
Environmental.prod
uct-declarat

35 050 970 90



Spare parts list

No.	Item Number	Name	Quantity used	Delivery time
1	04 14 03 072 01 90	Washer for wall valve Packing -	1.00	14
4	09 31 20 094 90	Plug blue 1/2" -	1.00	14
3	90 31 20 116 00 90	Plug 28 x 28 x 76 mm -	1.00	14
5	09 31 20 093 90	Plug red 1/2" -	1.00	14
8	09 30 30 049 90	Mounting Hexagonal bolt M6 x 10 mm -	2.00	14
6	04 30 31 024 01 90	Attachment set Wood screw with dowel 6 x 40 mm -	2.00	14
7	09 30 11 144 90	Washer Ø 6,4 -	2.00	-
Spare part can no longer be ordered, please order the replacement item				
2	04 21 02 173 00 90	Waterproofing cover -	1.00	14