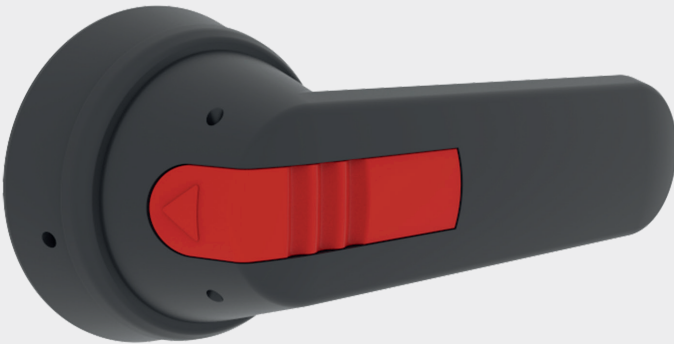


—  
INSTALLATION INSTRUCTION

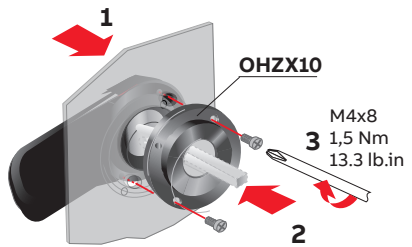
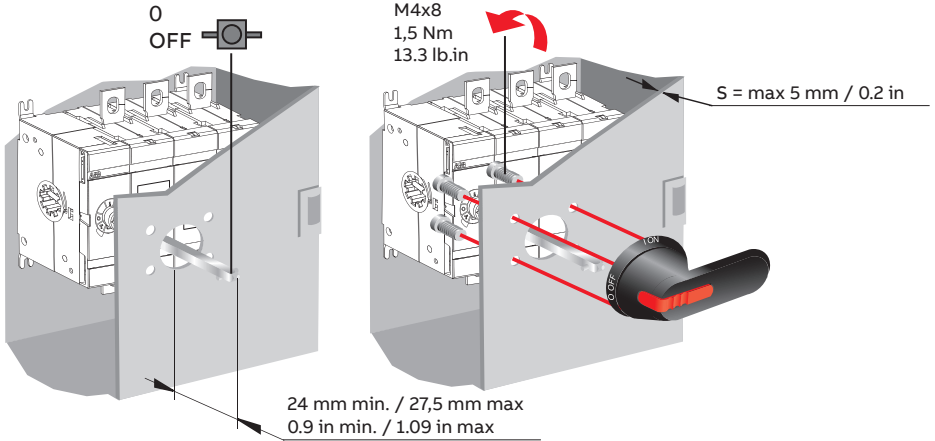
## Handles

### OH45-175LH

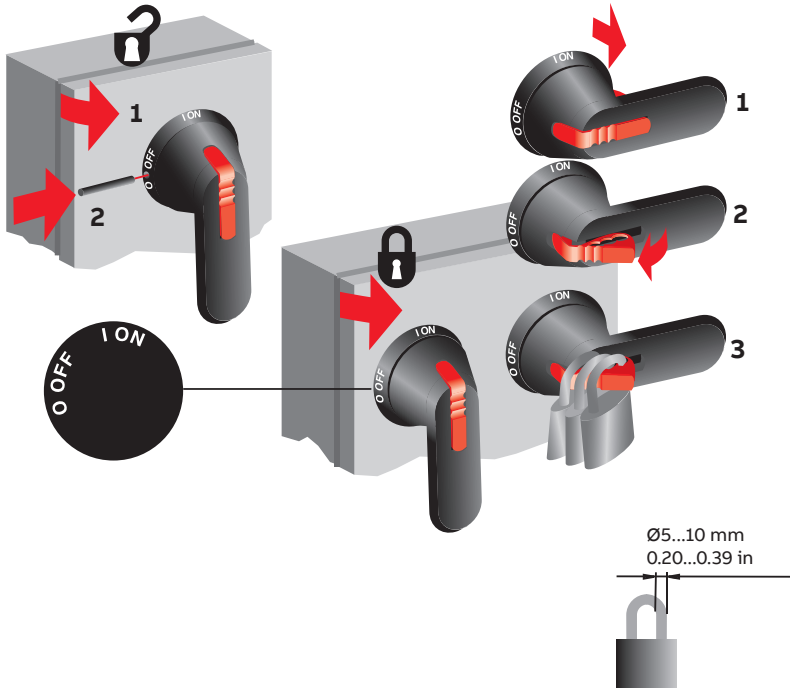


Label should be affixed to the rear mounting surface immediately adjacent the handle after installation.

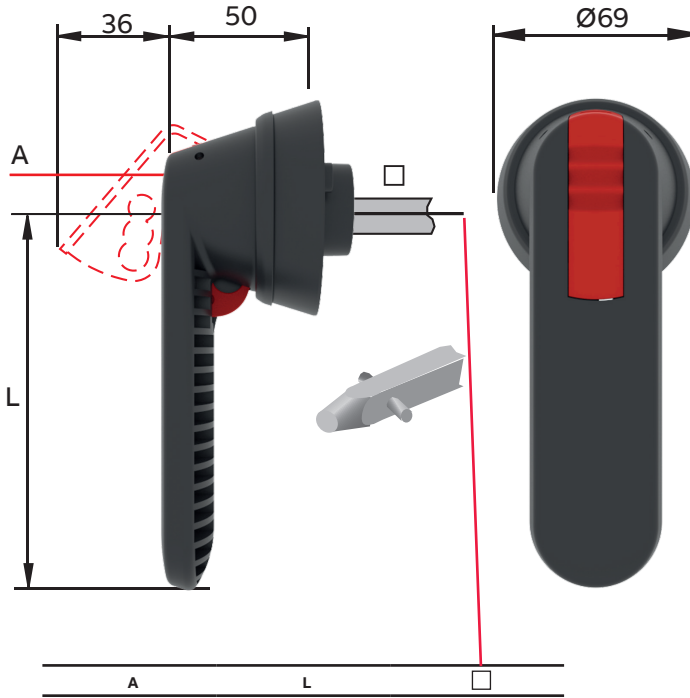
# OH45-175LH



# OH45-175LH



# OH45-175LH



A	L	□
OHB 45LH6	45	6
OHB 65LH6	65	6
OHB 80LH6	80	6
OHB 125LH12	125	12

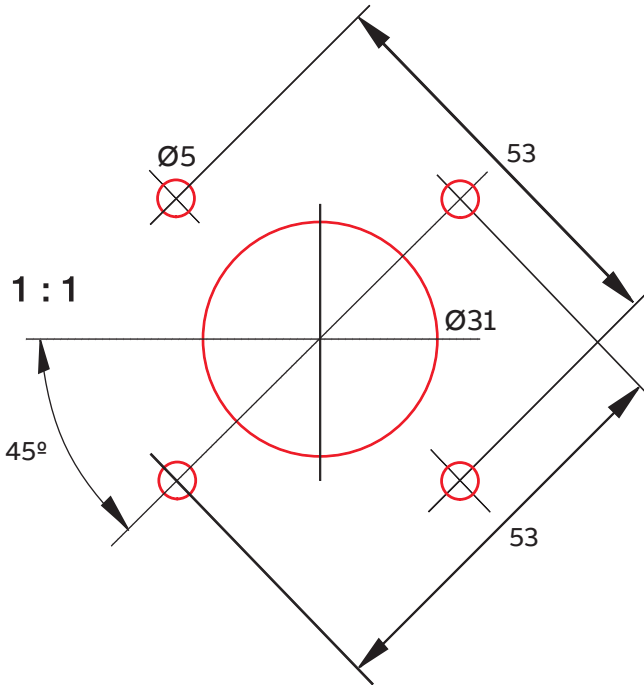
LH = IP66

LH = UL/NEMA type 4, 4X

B = ■

---

## Drilling holes





---

## Contact us

### **ABB Oy**

Muottitie 2A, 65320

Vaasa, Finland

**[abb.com/lowvoltage](http://abb.com/lowvoltage)**