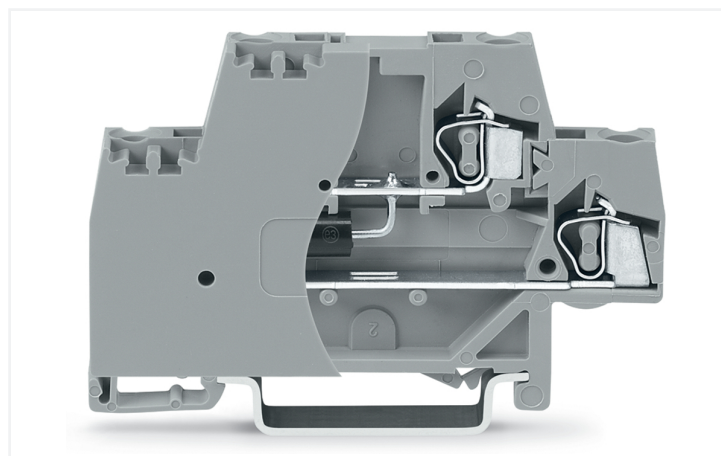
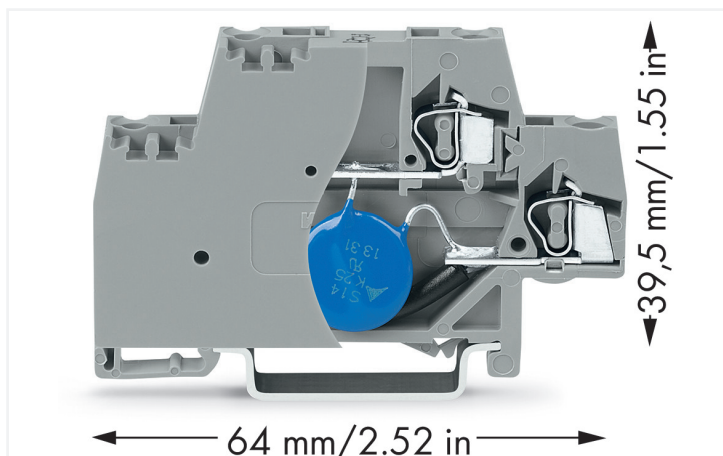


## Data Sheet | Item Number: 280-944/281-589

Component terminal block; double-deck; with end plate; with 1.5KE33C TVS diode;  
24 VDC; for DIN-rail 35 x 15 and 35 x 7.5; 2.5 mm<sup>2</sup>; CAGE CLAMP®; gray

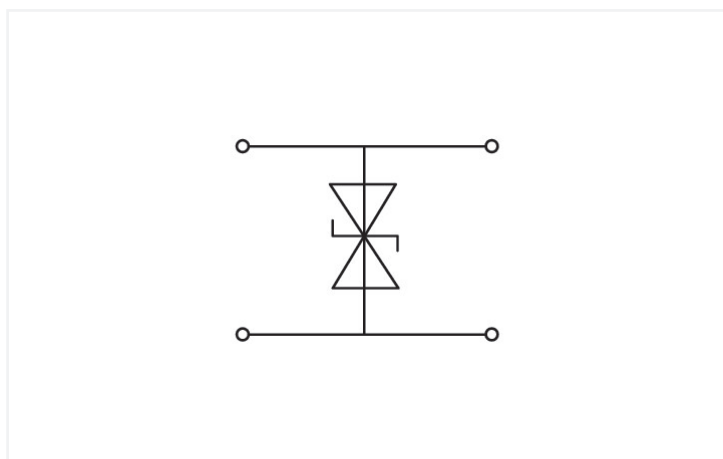
<https://www.wago.com/280-944/281-589>



Color: ■ gray

Similar to illustration

Similar to illustration



### Short description:

This component terminal block with surge suppression device and end plate is equipped with a TVS diode.

### Features:

- Protect your system against overvoltage
- Slim, space-saving design
- Control operational costs by preventing expensive, unplanned downtime
- High operational reliability and system uptime

### Notes

#### Safety Information

- Installation must be performed by qualified personnel only.
- The DIN-rail must be grounded.
- The input current must be protected by a suitable fuse.
- Protection against contact with stored charges must be ensured.
- Do not insert or remove pluggable modules when energized.
- The IP20 protection rating must be maintained in the assembled state or when using an end/intermediate plate compatible with the rail-mount terminal block.

### Electrical data

Nominal operating voltage	24 VDC
Maximum continuous voltage	28 VDC
Rated continuous current	20 A
Nominal discharge current (8/20 µs) (line)	169 A
Protection level (8/20 µs)	≤ 59 VDC
Capacitance	≤ 2.7 nF

### Connection Data

Connections (number)	4
Connection technology	CAGE CLAMP®
Solid conductor	0.08 ... 2.5 mm <sup>2</sup> / 28 ... 14 AWG
Fine-stranded conductor	0.08 ... 2.5 mm <sup>2</sup> / 28 ... 14 AWG
Strip length	8 ... 9 mm / 0.31 ... 0.35 inches

### Physical data

Width	10 mm / 0.394 inches
Height	64 mm / 2.52 inches
Depth from upper-edge of DIN-rail	39.5 mm / 1.555 inches

### Mechanical data

Design	with end plate
Mounting type	DIN-35 rail

### Material data

Color	gray
Insulation material (main housing)	Polyamide (PA66)
Material group	I
Flammability class per UL94	V0
Fire load	0.362 MJ
Weight	13.6 g

### Environmental requirements

Processing temperature	-35 ... +85 °C
------------------------	----------------

### Commercial data

Product Group	1 (Rail Mounted Terminal Blocks)
PU (SPU)	50 (1) pcs
Packaging type	Box
Country of origin	DE
GTIN	4050821515081
Customs tariff number	85369010000

Product Classification	
UNSPSC	39121410
eCl@ss 10.0	27-14-11-27
eCl@ss 9.0	27-14-11-20
ETIM 9.0	EC000903
ETIM 10.0	EC000903
ECCN	NO US CLASSIFICATION

Environmental Product Compliance	
CAS-No.	7439-92-1
REACH Candidate List Substance	Lead
RoHS Compliance Status	Compliant, No Exemption
SCIP notification number (Austria)	36f60e91-2abb-4a81-84cd-74a8ba6aa843
SCIP notification number (Belgium)	0f8ec8aa-0af3-4497-a48d-da77118d1526
SCIP notification number (Bulgaria)	eb069abd-bf7e-47ec-8657-1693ff4eca74
SCIP notification number (Czech Republic)	21fd1b35-c860-456d-850c-d73758900088
SCIP notification number (Finland)	ca267a9c-4b32-466b-a8c0-663a15add461
SCIP notification number (France)	d598d1e0-adb4-459e-be8d-5cae90f5b70a
SCIP notification number (Germany)	590a16fc-cc88-4bb1-a37c-12e6146ef191
SCIP notification number (Hungary)	6914987f-c784-442c-88eb-b625c25801e6
SCIP notification number (Italy)	f18f81f5-05bc-4454-94f5-a743d85d03b3
SCIP notification number (Netherlands)	5b43abe0-4d78-4962-9ec7-cc3bb25dab95
SCIP notification number (Poland)	1178dea2-0ea3-4d4f-bd5c-e005edab72a3
SCIP notification number (Romania)	e6bb5718-1dff-487b-9f55-1f0839074646
SCIP notification number (Sweden)	eb458542-d85b-4b3f-807b-881f72c4b635

## Downloads




### Environmental Product Compliance

Compliance Search	
Environmental Product Compliance 280-944/281-589	<a href="#">↓</a>

## Documentation

Bid Text			
280-944/281-589	19.02.2019	xml 3.18 KB	<a href="#">↓</a>
280-944/281-589	11.02.2015	doc 25.50 KB	<a href="#">↓</a>

## CAD/CAE-Data

CAD data	CAE data
2D/3D Models 280-944/281-589 	EPLAN Data Portal 280-944/281-589 
	WSCAD Universe 280-944/281-589 

## 1 Compatible Products

## 1.1 Optional Accessories

## 1.1.1 Insulation stop

## 1.1.1.1 Insulation stop

**Item No.: 280-470**

Insulation stop; 0.08 - 0.2 mm<sup>2</sup> "s" (0.14 mm<sup>2</sup> "f-st"); 5 pieces/strip; white

**Item No.: 280-471**

Insulation stop; 0.25 - 0.5 mm<sup>2</sup>; 5 pieces/strip; light gray

**Item No.: 280-472**

Insulation stop; 0.75 - 1 mm<sup>2</sup>; 5 pieces/strip; black

## 1.1.2 Jumper

## 1.1.2.1 Jumper

**Item No.: 280-492**

Jumper; 2-way; insulated; gray

## 1.1.3 Marking

## 1.1.3.1 Marker

**Item No.: 2009-145**

Mini-WSB In-line; for Smart Printer; 1700 pieces on roll; stretchable 5 - 5.2 mm; plain; snap-on type; white

**Item No.: 248-501**

Mini-WSB marking card; as card; not stretchable; plain; snap-on type; white

## 1.1.4 Tool

## 1.1.4.1 Operating tool

**Item No.: 210-720**

Operating tool; Blade: 3.5 x 0.5 mm; with a partially insulated shaft; multicoloured