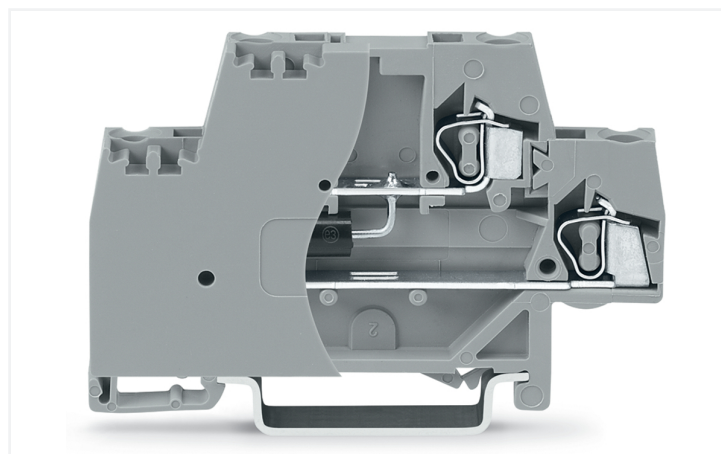
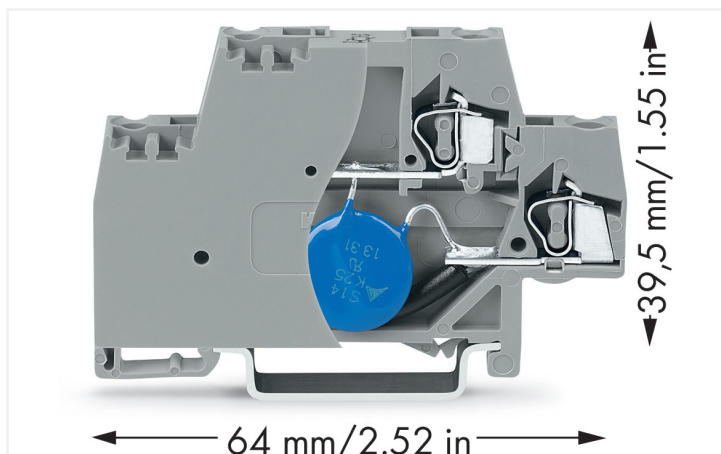


Data Sheet | Item Number: 280-944/281-591

Component terminal block; double-deck; with end plate; with 1.5KE82C TVS diode;
60 VDC; for DIN-rail 35 x 15 and 35 x 7.5; 2.5 mm²; CAGE CLAMP®; gray

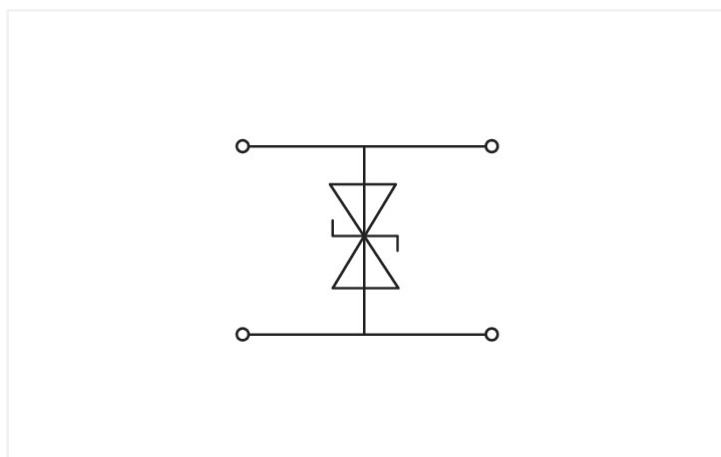
<https://www.wago.com/280-944/281-591>



Color: ■ gray

Similar to illustration

Similar to illustration



Short description:

This component terminal block with surge suppression device and end plate is equipped with a TVS diode.

Features:

- Protect your system against overvoltage
- Slim, space-saving design
- Control operational costs by preventing expensive, unplanned downtime
- High operational reliability and system uptime

Notes

Safety Information

- Installation must be performed by qualified personnel only.
- The DIN-rail must be grounded.
- The input current must be protected by a suitable fuse.
- Protection against contact with stored charges must be ensured.
- Do not insert or remove pluggable modules when energized.
- The IP20 protection rating must be maintained in the assembled state or when using an end/intermediate plate compatible with the rail-mount terminal block.

Electrical data

Nominal operating voltage	60 VDC
Maximum continuous voltage	70 VDC
Rated continuous current	20 A
Nominal discharge current (8/20 µs) (line)	69 A
Protection level (8/20 µs)	≤ 146 VDC
Capacitance	≤ 1.35 nF

Connection Data

Connections (number)	4
Connection technology	CAGE CLAMP®
Solid conductor	0.08 ... 2.5 mm ² / 28 ... 14 AWG
Fine-stranded conductor	0.08 ... 2.5 mm ² / 28 ... 14 AWG
Strip length	8 ... 9 mm / 0.31 ... 0.35 inches

Physical data

Width	10 mm / 0.394 inches
Height	64 mm / 2.52 inches
Depth from upper-edge of DIN-rail	39.5 mm / 1.555 inches

Mechanical data

Design	with end plate
Mounting type	DIN-35 rail

Material data

Color	gray
Insulation material (main housing)	Polyamide (PA66)
Material group	I
Flammability class per UL94	V0
Fire load	0.259 MJ
Weight	14.2 g

Environmental requirements

Processing temperature	-35 ... +85 °C
------------------------	----------------

Commercial data

Product Group	1 (Rail Mounted Terminal Blocks)
PU (SPU)	50 (1) pcs
Packaging type	Box
Country of origin	DE
GTIN	4050821515067
Customs tariff number	85369010000






Product Classification	
UNSPSC	39121410
eCl@ss 10.0	27-14-11-27
eCl@ss 9.0	27-14-11-27
ETIM 9.0	EC000903
ETIM 10.0	EC000903
ECCN	NO US CLASSIFICATION

Environmental Product Compliance	
CAS-No.	7439-92-1
REACH Candidate List Substance	Lead
RoHS Compliance Status	Compliant, No Exemption
SCIP notification number (Austria)	a7aef2c8-d2e0-4641-86fb-68bab7adc210
SCIP notification number (Belgium)	84060c06-0242-4b36-8018-29a75d4d26f9
SCIP notification number (Bulgaria)	e0662d25-8fee-413c-92be-ec30c82903b8
SCIP notification number (Czech Republic)	2b0a92d1-196b-4e18-844e-f443207ff02d
SCIP notification number (Denmark)	8a50f022-9ec4-4cbd-a694-58b07e2ed2ca
SCIP notification number (Finland)	c463581f-587d-4367-9592-ac046578a2fd
SCIP notification number (France)	51a6d2a2-b3d7-4c22-b7c6-65d73f2534c6
SCIP notification number (Germany)	56ae4c11-0a12-45ea-ba79-526232279f50
SCIP notification number (Hungary)	c3641fcf-5dc2-43f7-b976-d08aed4c8878
SCIP notification number (Italy)	539c8d57-d1b2-4fac-bd85-af9a4ac6f61b
SCIP notification number (Netherlands)	3e451293-5591-404c-84b1-a569cd6ed425
SCIP notification number (Poland)	c379ccf7-484f-440a-93c0-dbf921157221
SCIP notification number (Romania)	49c110a5-5e6b-4ae8-b0fa-ec21681cff36
SCIP notification number (Sweden)	a574bfb5-4c59-42a7-8a9e-96f52fa05d16

Downloads	
Environmental Product Compliance	
Compliance Search	
Environmental Product Compliance 280-944/281-591	↓

Documentation			
Bid Text			
280-944/281-591	19.02.2019	xml 3.18 KB	↓
280-944/281-591	11.02.2015	doc 25.50 KB	↓

CAD/CAE-Data

CAD data	CAE data
2D/3D Models 280-944/281-591 	EPLAN Data Portal 280-944/281-591 
	WSCAD Universe 280-944/281-591 

1 Compatible Products

1.1 Optional Accessories

1.1.1 Insulation stop

1.1.1.1 Insulation stop

**Item No.: 280-470**

Insulation stop; 0.08 - 0.2 mm² "s" (0.14 mm² "f-st"); 5 pieces/strip; white

**Item No.: 280-471**

Insulation stop; 0.25 - 0.5 mm²; 5 pieces/strip; light gray

**Item No.: 280-472**

Insulation stop; 0.75 - 1 mm²; 5 pieces/strip; black

1.1.2 Jumper

1.1.2.1 Jumper

**Item No.: 280-492**

Jumper; 2-way; insulated; gray

1.1.3 Marking

1.1.3.1 Marker

**Item No.: 2009-145**

Mini-WSB Inline; for Smart Printer; 1700 pieces on roll; stretchable 5 - 5.2 mm; plain; snap-on type; white

**Item No.: 248-501**

Mini-WSB marking card; as card; not stretchable; plain; snap-on type; white

1.1.4 Tool

1.1.4.1 Operating tool

**Item No.: 210-720**

Operating tool; Blade: 3.5 x 0.5 mm; with a partially insulated shaft; multicoloured