



Features

- START Eco Downlight is an integrated LED recessed downlight with built-in non dimmable driver; Loop in loop out connector allows for quick installation; 8W; 640Lm; 80Lm/W; 3000K.

Product Overview

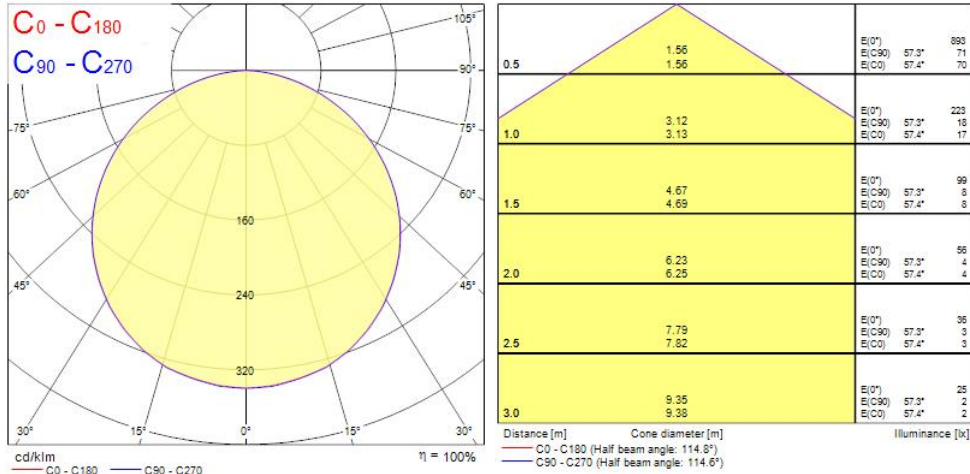
Product name	START Eco Downlight 95 640lm 830
Technology	LED
Cap/Base	N/A
Housing	PC Polycarbonate
Mount	Ceiling recessed mounting
Fixture luminous flux (lm)	640
Luminaire efficacy (lm/W)	80
Colour temperature (K)	3000
Light colour	Warm White
CRI (Ra)	80
Colour Variation Initial (SDCM)	6
Glare control	< 28
Photobiological Risk Group	RG0
Total power consumption (W)	8
Electrical protection	Class II
LED Flickering Rate	Medium (21% - 40%)
Housing colour	RAL 9003 - Signal white
IP rating	IP20
IK rating	IK02
Product EAN number	5410288539102

START Eco Downlight 95 640lm 830 0053910

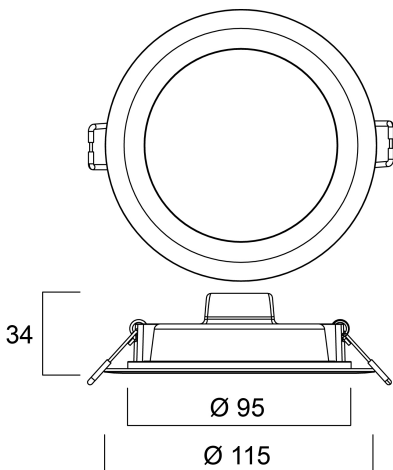
Warranty

3 years

Photometry



Technical drawings



Data table

GENERAL DATA

START Eco Downlight 95 640lm 830 0053910

Product name	START Eco Downlight 95 640lm 830
Technology	LED
Cap/Base	N/A
Housing	PC Polycarbonate
Mount	Ceiling recessed mounting
Operating temperature range (°C)	-20°C...+40°C
Performance ambient temperature Tq (°C)	25
Warranty	3 years

OPTICAL DATA

Fixture luminous flux (lm)	640
Luminaire efficacy (lm/W)	80
Colour temperature (K)	3000
Light colour	Warm White
CRI (Ra)	80
Colour Variation Initial (SDCM)	6
Glare control	< 28
Photobiological Risk Group	RG0

ELECTRICAL DATA

Total power consumption (W)	8
Primary Supply/Product voltage - min (V)	220
Lamp power factor	0.5
Electrical protection	Class II
Control gear required	No
Drive current (mA)	58
Inrush Current (A)	7
Inrush Duration (µs)	160
Glow Wire Test (°C)	650
Energy Efficiency Class (A->G) of contained light source	F
Nominal Frequency (Hz)	50/60Hz
LED Flickering Rate	Medium (21% - 40%)

START Eco Downlight 95 640lm 830 0053910

Max. products per 10A C Breaker	140
Max. products per 20A B Breaker	169

LIFETIME DATA

Lifespan L70 B50	30000
------------------	-------

PHYSICAL DATA

Housing colour	RAL 9003 - Signal white
IP rating	IP20
IK rating	IK02
Diffuser finish	Opal
Diffuser material	PC Polycarbonate
Nominal Product Diameter (mm)	115
Weight (kg)	0.08

PACKAGING

Single packaging type	Carton
Product EAN number	5410288539102
Packaging single width (cm)	4.0
Packaging single depth (cm)	13.0
DUN14 (outer)	15410288539109
Packaging outer length / height (cm)	60.0

SAFETY DATA

Optimal operating condition (°C)	-20-40
Special purpose lamp	No
Dry applications use only	No
Suitable for household illumination	No