



Description

With full wattage and optional light distribution, this floodlight is available for multiple applications. Most of all, it is enduring and cost-effective.

Multiple light distribution for different applications even for stadium and billboard.

Key Features

- Private tooling in unique and nice outlook.
- Uniform design covering the best sellers 10W-20W-30W-50W

Applications

- For recreational sports (tennis courts, basketball courts...)
- For Billboard lighting(Tall-type billboard, wide-type billboard)
- Exhibition Center
- Shopping Mall
- Stadium
- Accent lighting
- Parking lots

Electrical Information

Model No.	146-300	146-303	146-306/307	146-309/310/312
Power Consumption(±10%)	10W	20W	30W	50W
Power Supply	/			
Input Voltage	AC 220-240V			
Power Factor	>0.9			
Surge Protection	1kV line-line, 2kV line-earth			
Driver Type	Constant Current (CC)			
Control (optional)	Motion / Day/Night sensor			

Optic Information

LED Type	LED 2835			
Luminous Flux (±5%)	1000lm	2000lm	3000lm	5000lm
Efficiency	100 lm/W			
Correlated Color Temperature	3000K, 4000K, Green			
Color Rendering Index	Ra80			
Beam Angle	100°			
UGR Level	NA			

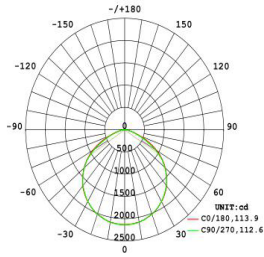
Dimensions and Mount

Product Dimension	132×103×30	160×142×30	195×157×35	239×175×44
Luminaire Net Weight	0.3±0.03kg	0.4±0.04kg	0.58±0.05kg	0.85±0.08kg
Carton Size	135×105×40	165×135×40	200×150×45	245×165×50
Gross Weight	0.35±0.03kg	0.46±0.04kg	0.65±0.05kg	0.92±0.08kg
Mounting Option	Bracket Mounting			
Material	Aluminum Alloy Tempered Glass			
Finish	Powder Coating			
Fixture Color	Black			
IK Rating	IK08			
IP Rating	IP65			

Lifespan and Warranty

Operating Temperature	-25°C to + 40°C			
Life Time of LED @Ta=25°C	48000hrs-L90			
	99000hrs-L80			
	158000hrs-L70			
Warranty	3 Years			

Photometry

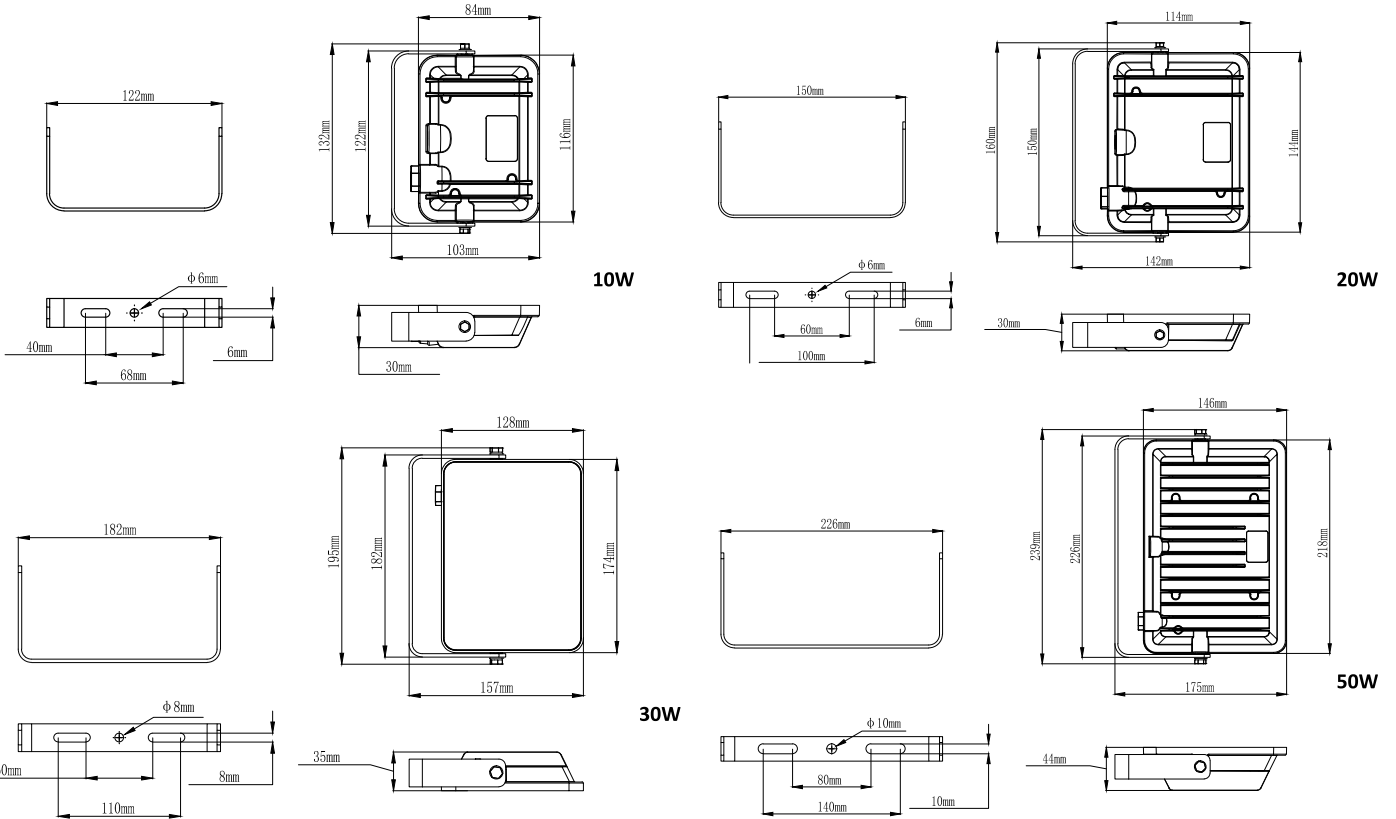


100°

Mounting Options



Dimensions



Accessories

146-318 Day/Night Sensor



146-319 Motion Sensor

